



US00D837431S

(12) **United States Design Patent**  
**Peng**

(10) **Patent No.:** **US D837,431 S**

(45) **Date of Patent:** **\*\* Jan. 1, 2019**

(54) **LED SPOT LIGHT**

D647,234 S \* 10/2011 Izardel ..... D26/65  
D762,903 S \* 8/2016 Tsai ..... D26/63  
D764,694 S \* 8/2016 Tsai ..... D26/63

(71) Applicant: **Yuqin Peng, Ji'an (CN)**

\* cited by examiner

(72) Inventor: **Yuqin Peng, Ji'an (CN)**

*Primary Examiner* — Brian N. Vinson

(\*\*) Term: **15 Years**

(74) *Attorney, Agent, or Firm* — Gokalp Bayramoglu

(21) Appl. No.: **29/615,362**

(22) Filed: **Aug. 29, 2017**

(57) **CLAIM**

(51) **LOC (11) Cl.** ..... **26-03**

The ornamental design for a LED spot light, as shown and described.

(52) **U.S. Cl.**

USPC ..... **D26/63**

(58) **Field of Classification Search**

USPC ..... D26/63, 67-70

CPC .... F21S 6/004; F21S 6/005; F21S 8/08; F21S 8/081; F21S 8/083; F21S 8/088; F21S 9/03; F21S 9/032; F21S 9/035; F21S 9/037; F21W 2131/109; F21W 2111/023; F21V 21/0824

See application file for complete search history.

**DESCRIPTION**

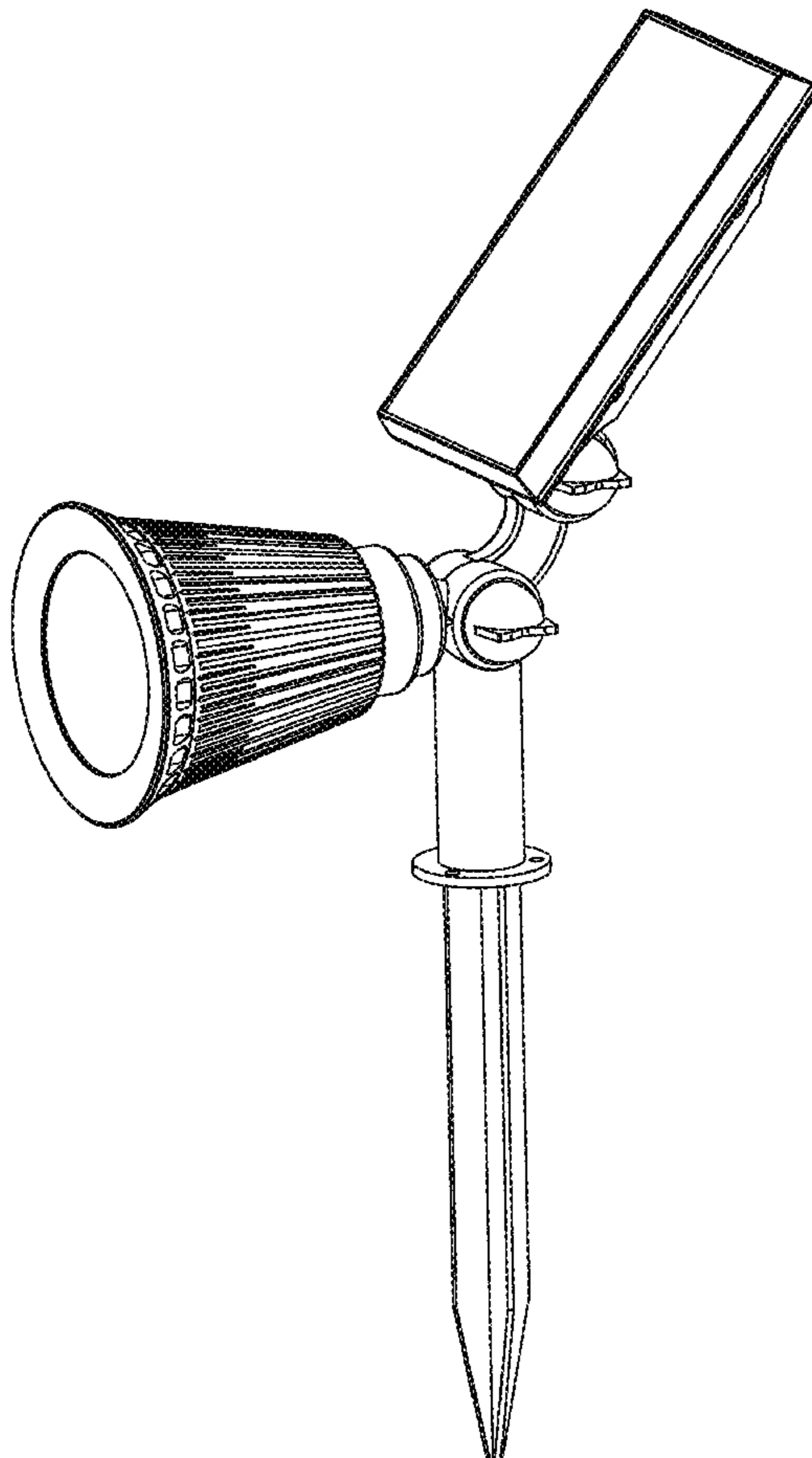
FIG. 1 is a left side view of the LED spot light;  
FIG. 2 is a front view of the LED spot light;  
FIG. 3 is a right side view of the LED spot light;  
FIG. 4 is a back view of the LED spot light;  
FIG. 5 is a bottom view of the LED spot light;  
FIG. 6 is a top view of the LED spot light;  
FIG. 7 is a perspective view of the LED spot light; and,  
FIG. 8 is an enlarged view of FIG. 5 of the LED spot light.

(56) **References Cited**

U.S. PATENT DOCUMENTS

D615,688 S \* 5/2010 Chen ..... D26/63

**1 Claim, 8 Drawing Sheets**



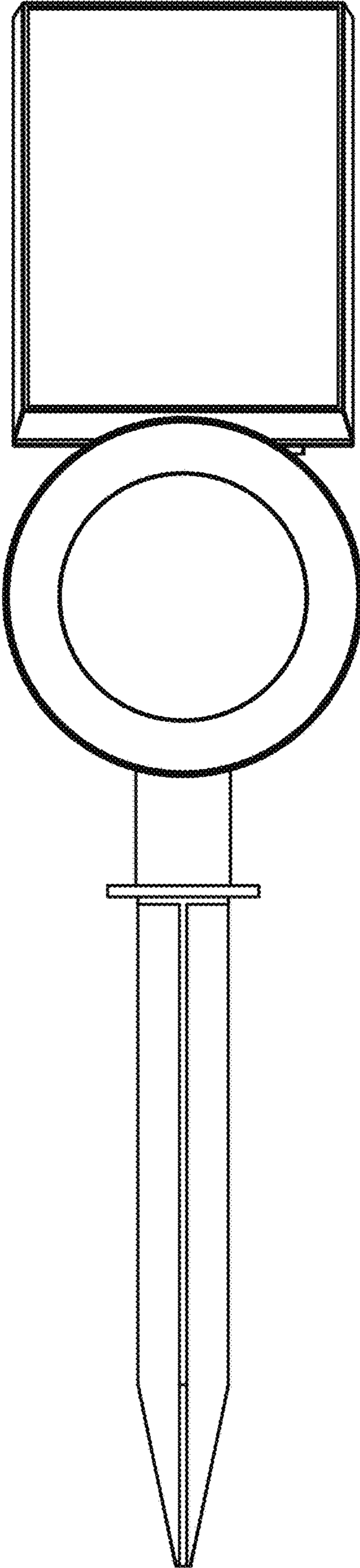


Figure 1

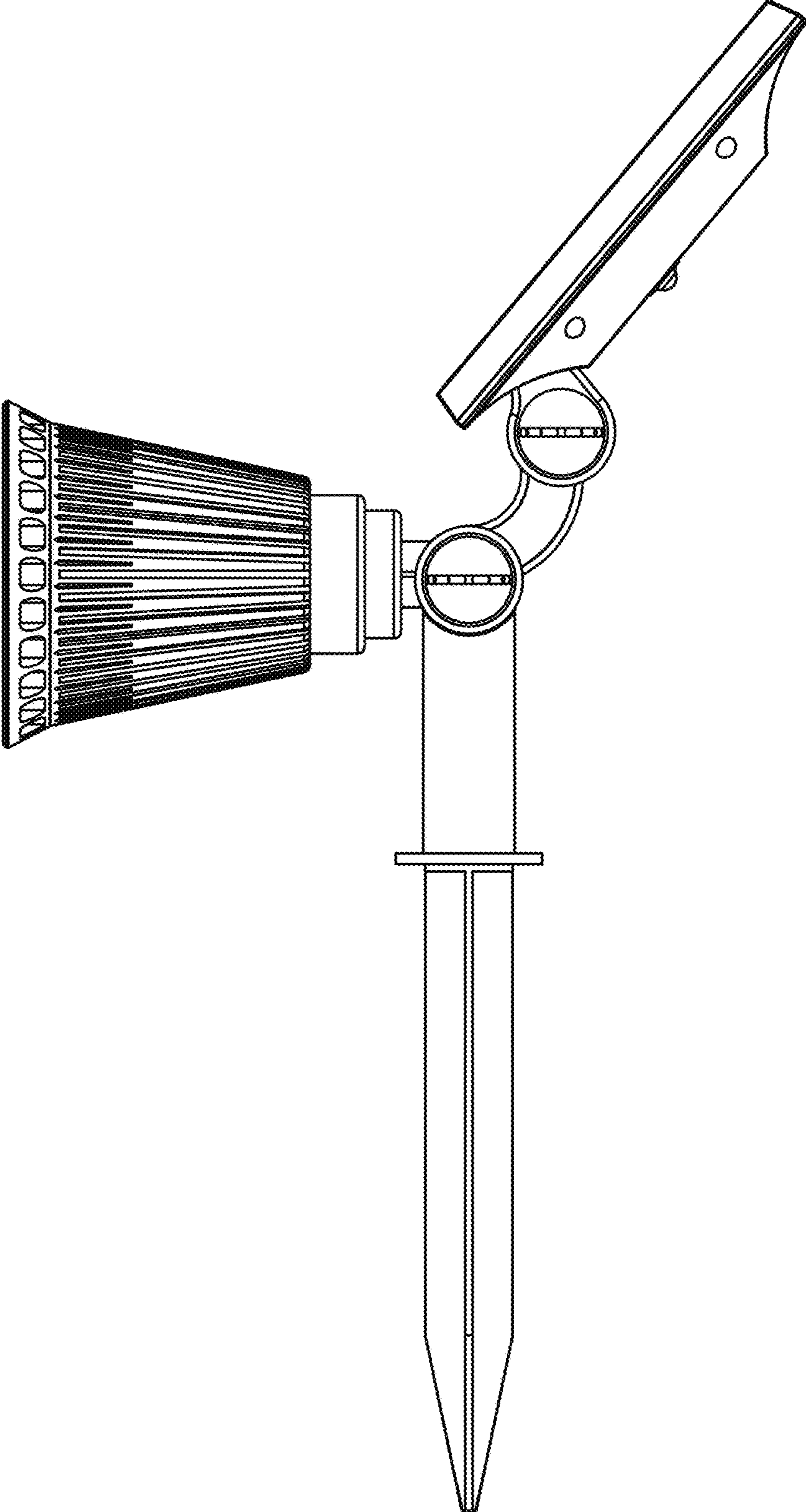


Figure 2

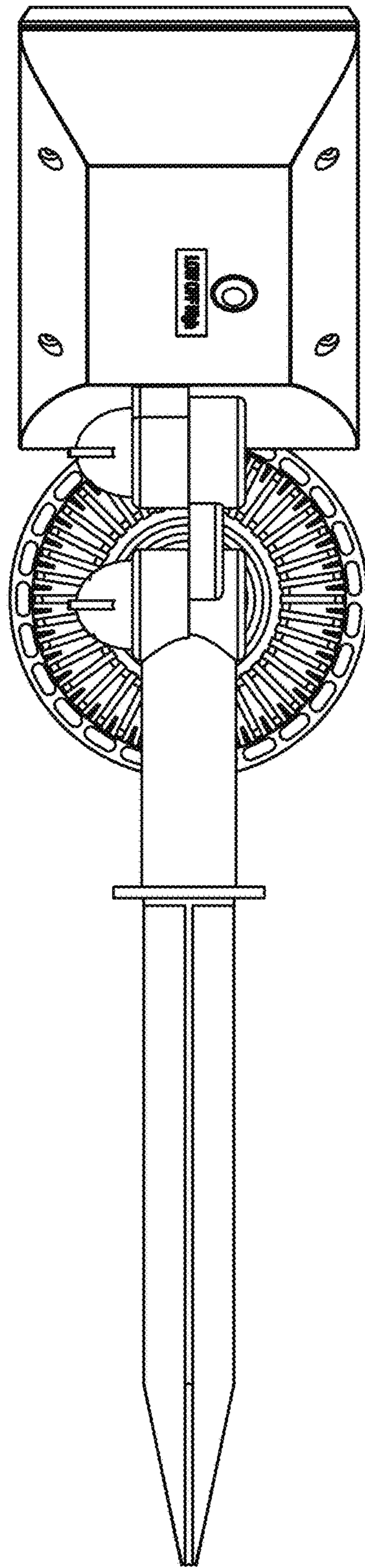


Figure 3

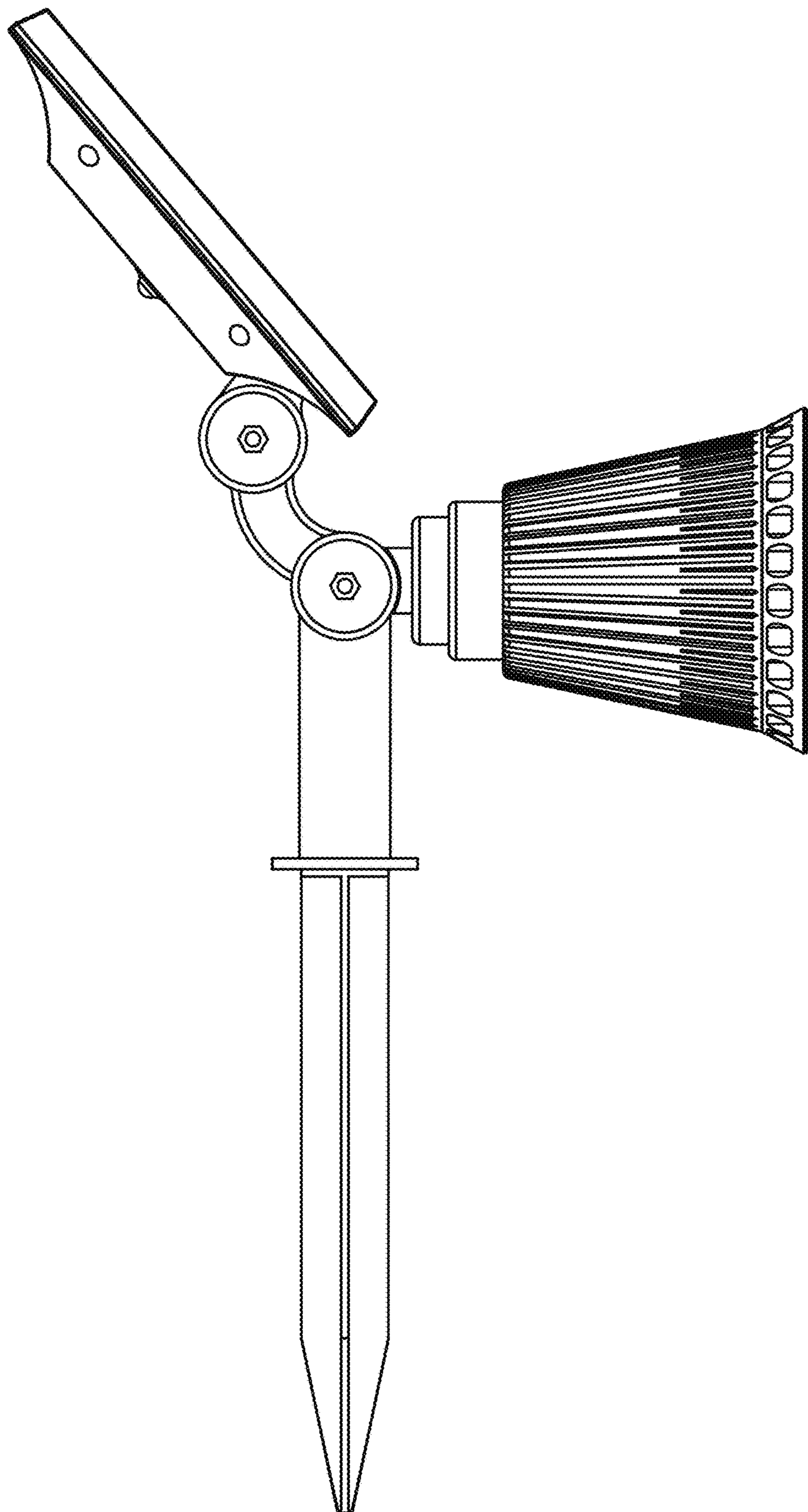


Figure 4



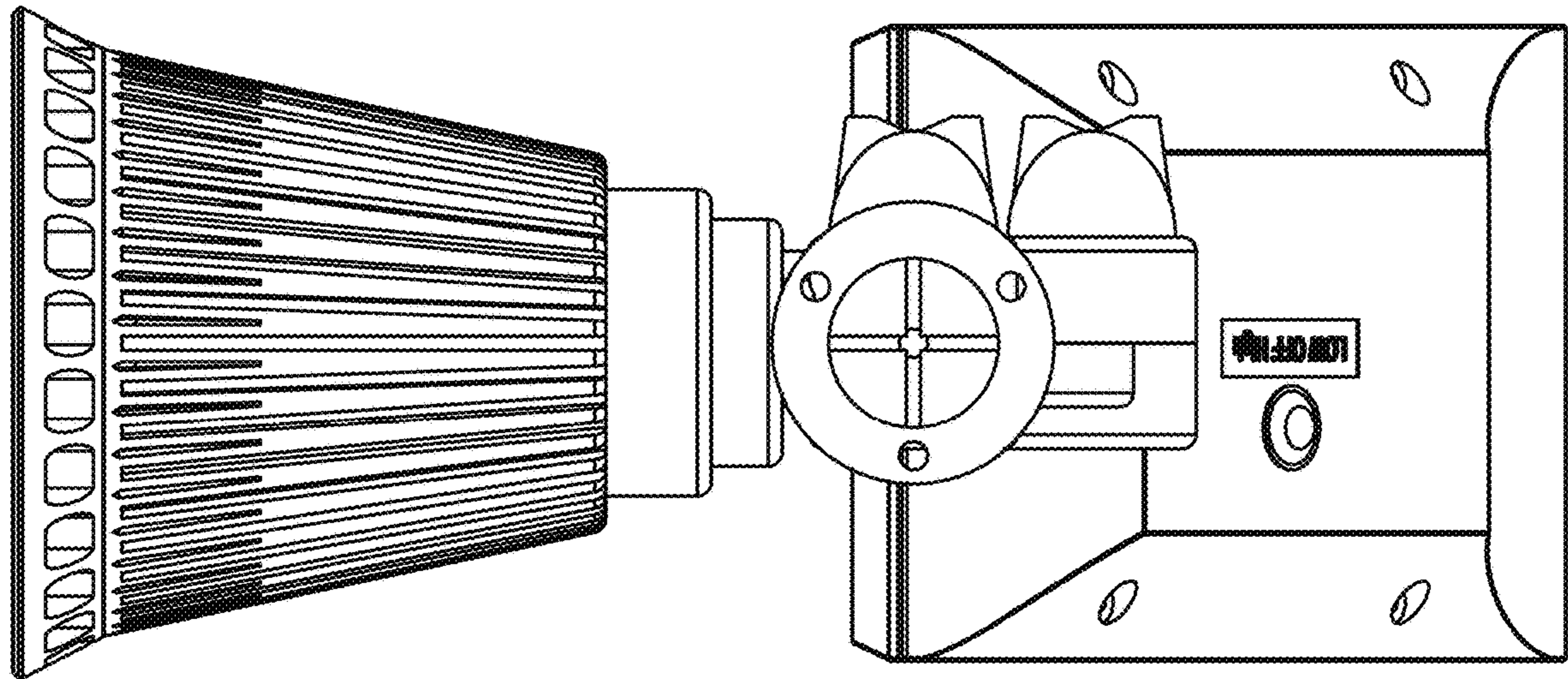


Figure 5

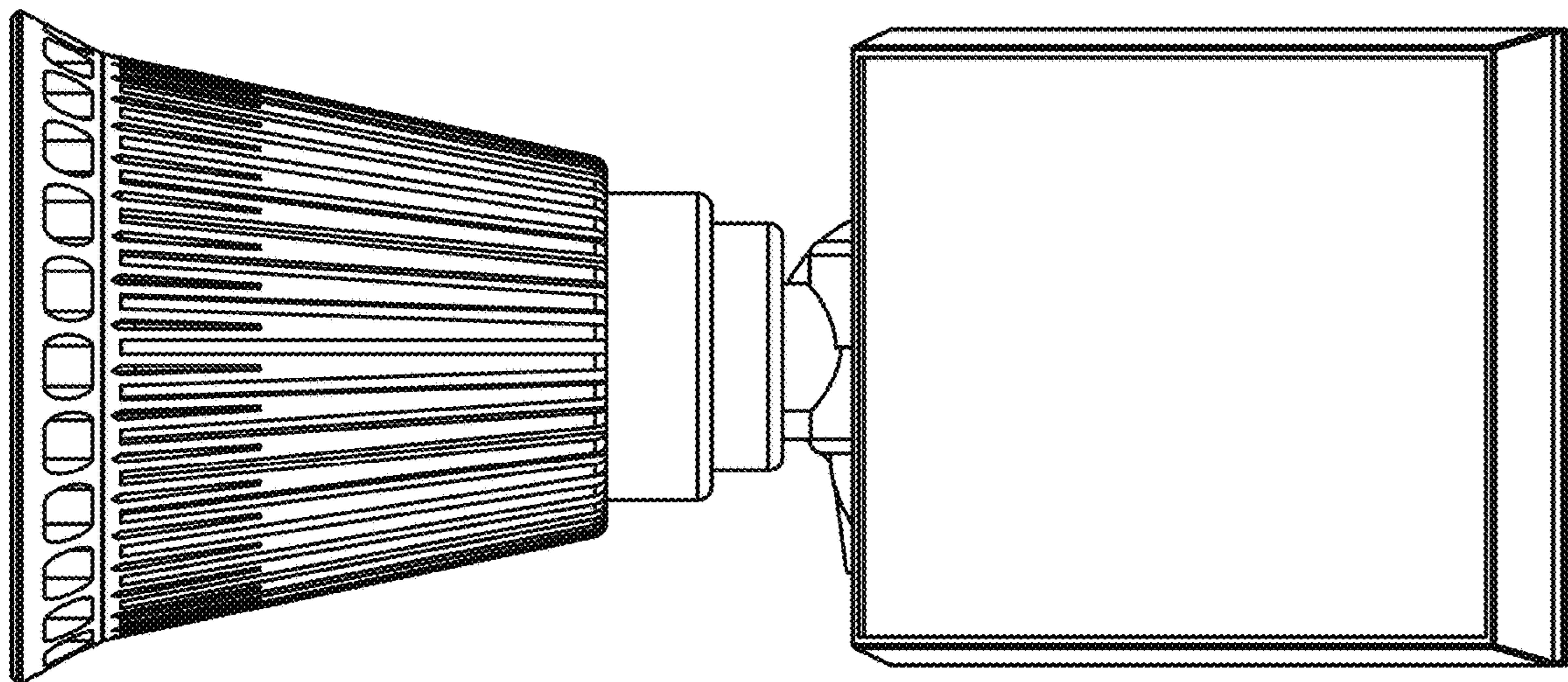


Figure 6

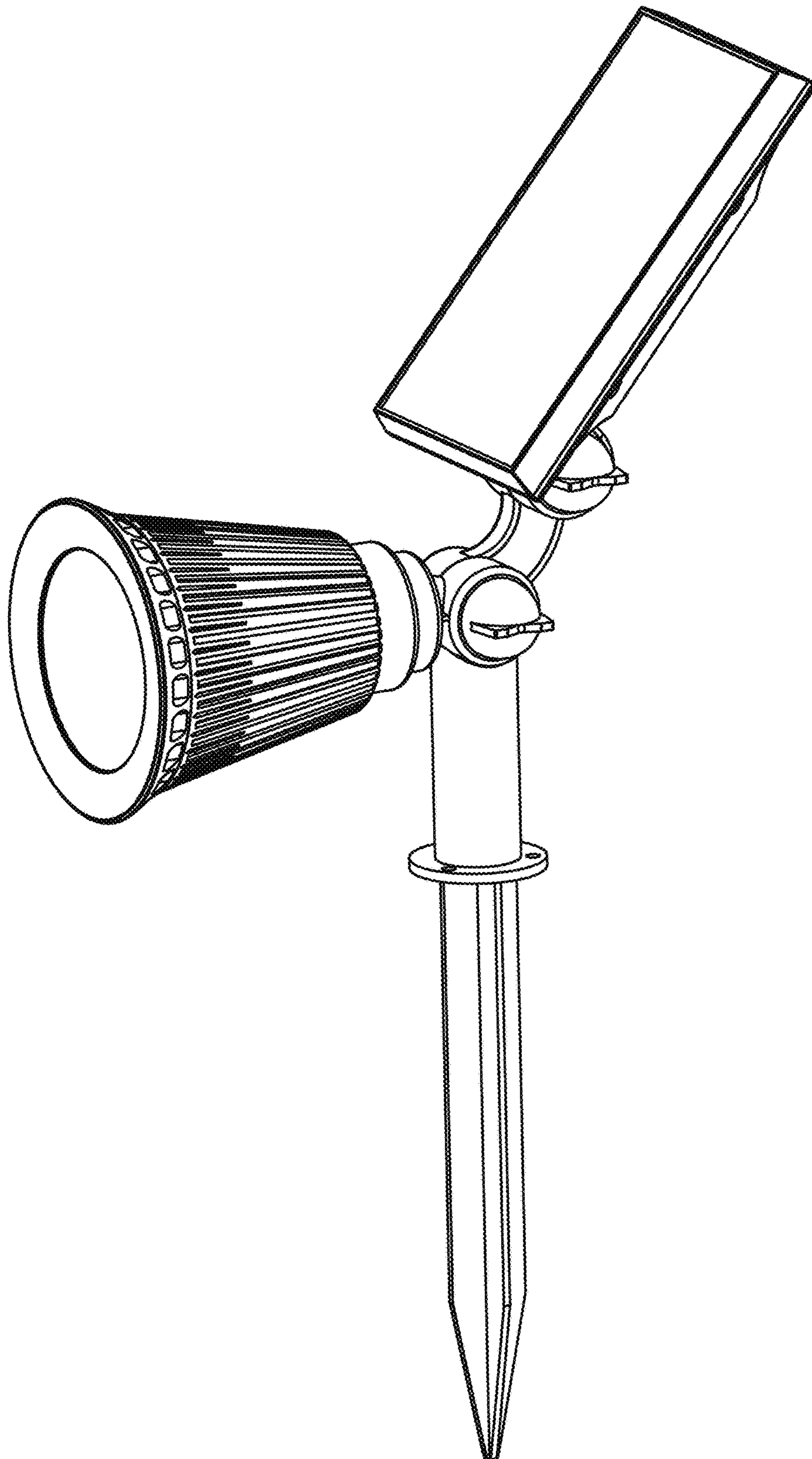


Figure 7



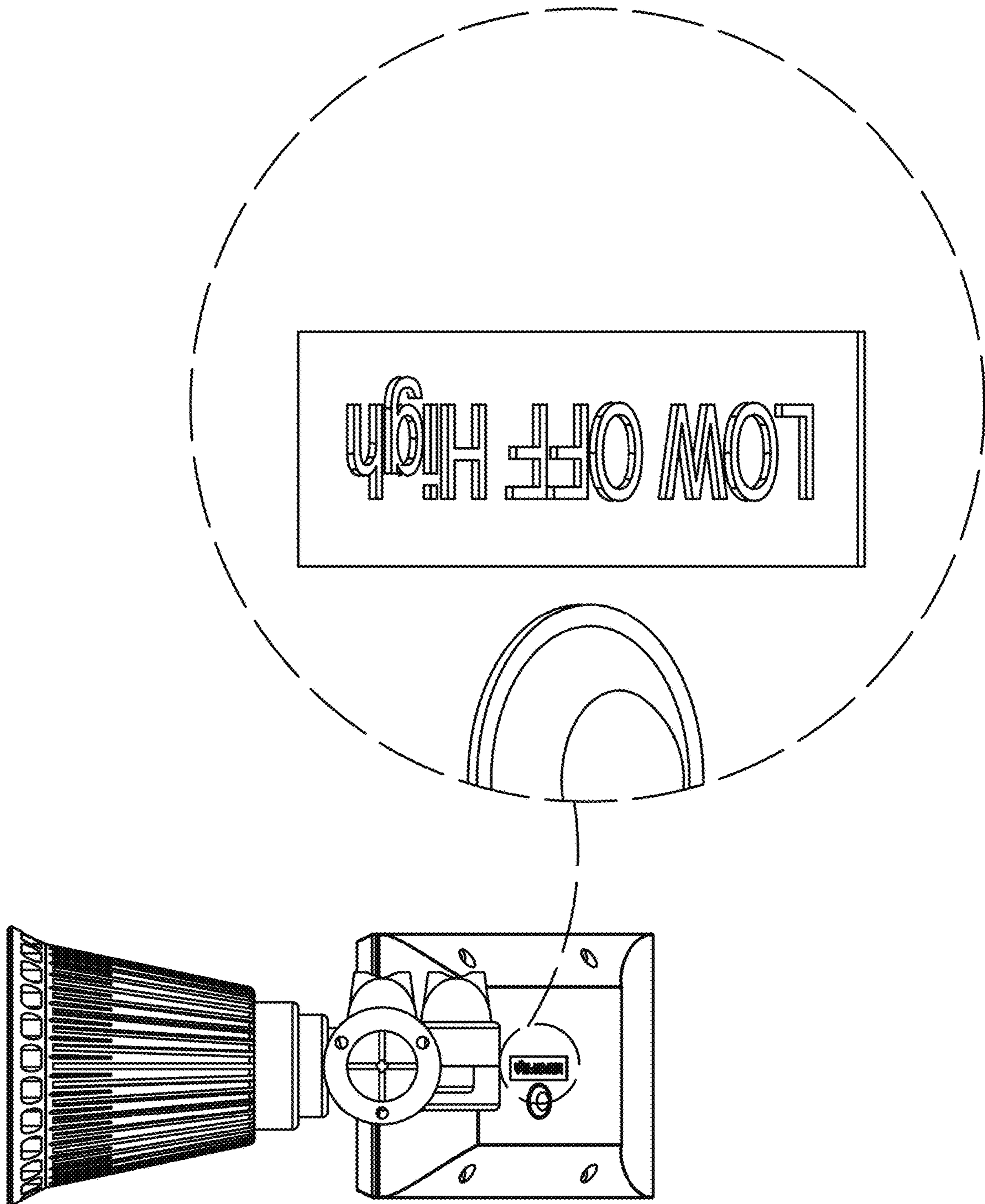


Figure 8



US00D837431C1

(12) **EX PARTE REEXAMINATION CERTIFICATE** (11722nd)  
**United States Patent**  
**Peng**

(10) **Number:** **US D837,431 C1**  
(45) **Certificate Issued:** **Sep. 4, 2020**

(54) **LED SPOT LIGHT**

(71) Applicant: **Yuqin Peng, Ji'an (CN)**

(72) Inventor: **Yuqin Peng, Ji'an (CN)**

**Reexamination Request:**

No. 90/014,289, Apr. 17, 2019

**Reexamination Certificate for:**

Patent No.: **Des. 837,431**

Issued: **Jan. 1, 2019**

Appl. No.: **29/615,362**

Filed: **Aug. 29, 2017**

(51) **LOC (12) Cl.** ..... **26-03**

(52) **U.S. Cl.**  
USPC ..... **D26/63**

(58) **Field of Classification Search**

USPC .... D26/24, 51, 61, 63, 65, 72, 80, 118, 120,  
D26/128

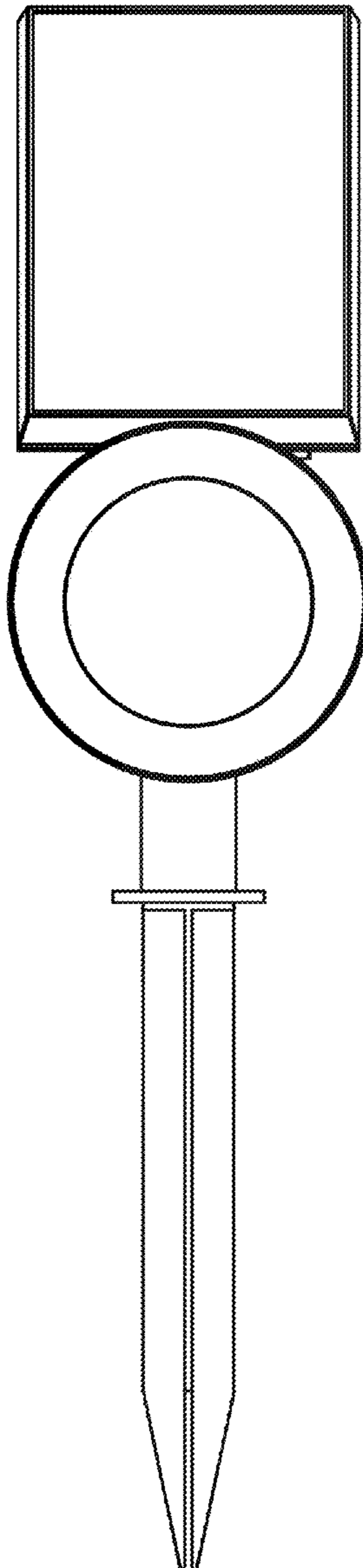
CPC .... F21S 8/04; F21S 8/00; F21V 21/00; F21V  
17/02; F21V 14/02; F21V 21/30; F21V  
21/14; F21V 21/26; F21W 2131/10;  
G03B 13/196; H04N 5/2251; H04N  
5/2253; H04N 5/2254

See application file for complete search history.

(56) **References Cited**

To view the complete listing of prior art documents cited during the proceeding for Reexamination Control Number 90/014,289, please refer to the USPTO's public Patent Application Information Retrieval (PAIR) system under the Display References tab.

*Primary Examiner* — Ian Simmons



**1**  
**EX PARTE**  
**REEXAMINATION CERTIFICATE**

NO AMENDMENTS HAVE BEEN MADE TO 5  
THE PATENT

AS A RESULT OF REEXAMINATION, IT HAS BEEN  
DETERMINED THAT:

The patentability of claim 1 is confirmed. 10

\* \* \* \* \*