



US00D837429S

(12) **United States Design Patent** (10) **Patent No.:** **US D837,429 S**
Yu (45) **Date of Patent:** **** Jan. 1, 2019**

(54) **GLOBE LANTERN**

(56) **References Cited**

(71) Applicant: **Shenzhen Yaorong Technology Co., Ltd, Shenzhen (CN)**

U.S. PATENT DOCUMENTS

(72) Inventor: **Huanhuan Yu, Shenzhen (CN)**

D625,871 S * 10/2010 Huang D26/63
D733,345 S * 6/2015 Recker D26/63
D773,093 S * 11/2016 Dworschak D26/63
D799,731 S * 10/2017 Jadhav D26/63
D809,693 S * 2/2018 Wan D26/63

(73) Assignee: **Shenzhen Yaorong Technology Co., Ltd. (CN)**

* cited by examiner

(**) Term: **15 Years**

Primary Examiner — Brian N. Vinson

(21) Appl. No.: **29/600,254**

(74) *Attorney, Agent, or Firm* — PROI Intellectual Property US

(22) Filed: **Apr. 11, 2017**

(57) **CLAIM**

The ornamental design for a globe lantern, as shown and described.

(30) **Foreign Application Priority Data**

DESCRIPTION

Oct. 14, 2016 (CN) 2016 3 0503788

(51) **LOC (11) Cl.** **26-03**

(52) **U.S. Cl.**
USPC **D26/63**

(58) **Field of Classification Search**
USPC D26/1, 24, 61, 63, 65, 85, 92
CPC F21V 21/14; F21V 15/01; F21V 14/02;
F21V 21/30; F21V 21/00; F21V 14/00;
F21S 8/00; F21S 8/003; F21S 8/043;
F21Y 2105/001

FIG. 1 is a front view of a globe lantern showing my new design;

FIG. 2 is a back view thereof;

FIG. 3 is a left side view thereof;

FIG. 4 is a right side view thereof;

FIG. 5 is a downward plan view thereof;

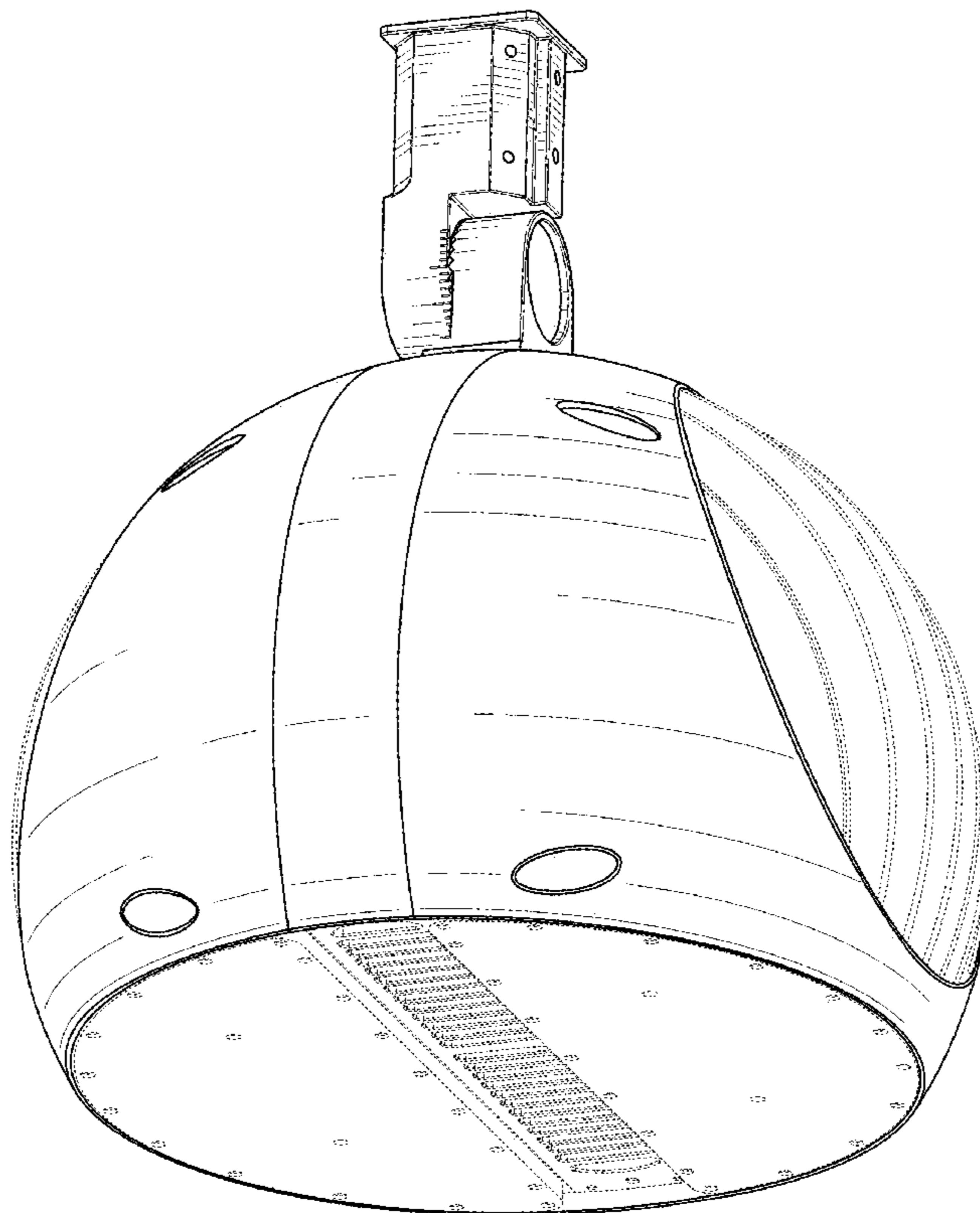
FIG. 6 is an upward plan view thereof; and,

FIG. 7 is a perspective view thereof.

Broken lines are used to illustrate features of the globe lantern which form no part of the claimed device.

See application file for complete search history.

1 Claim, 7 Drawing Sheets



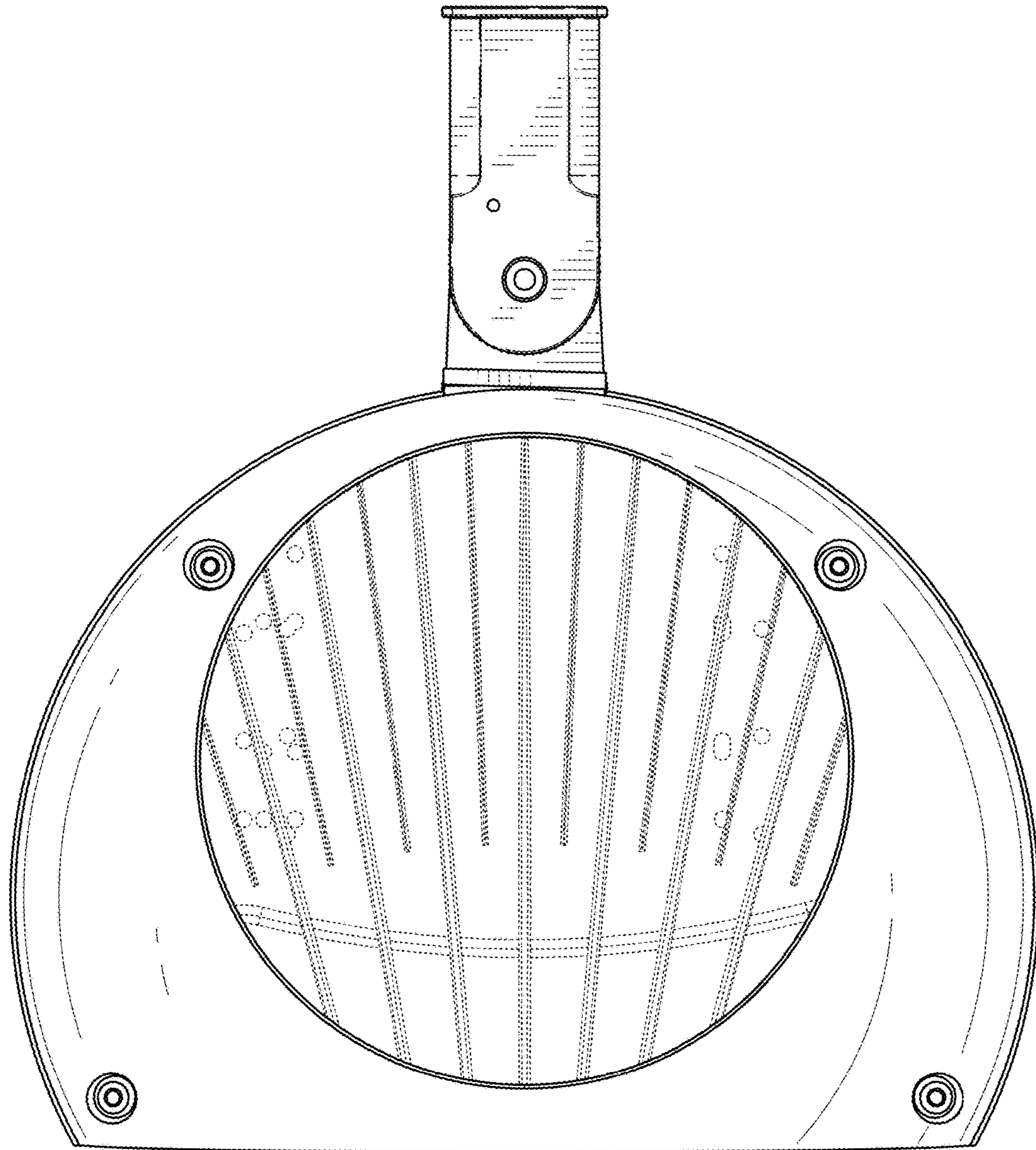


FIG. 1

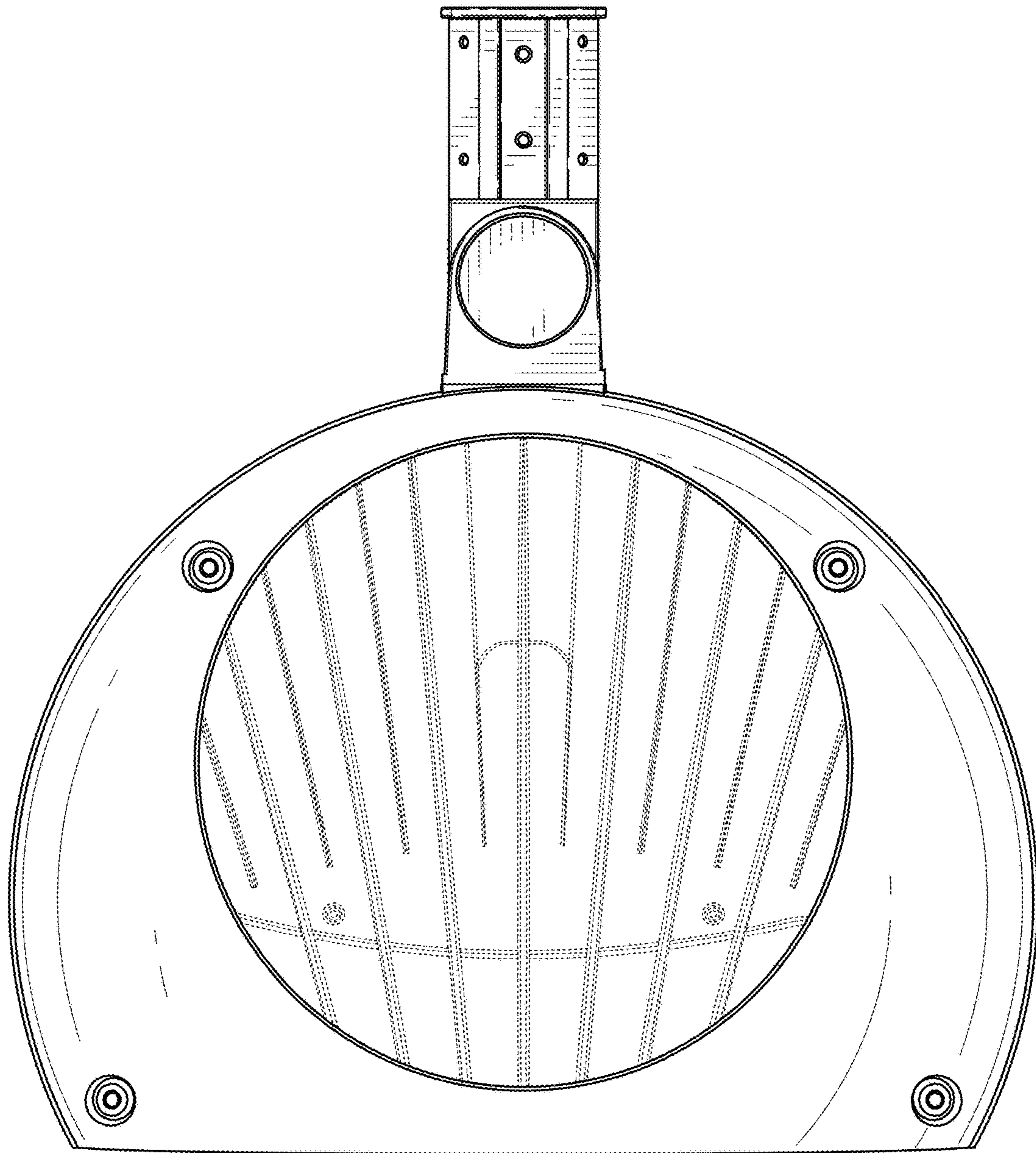


FIG. 2

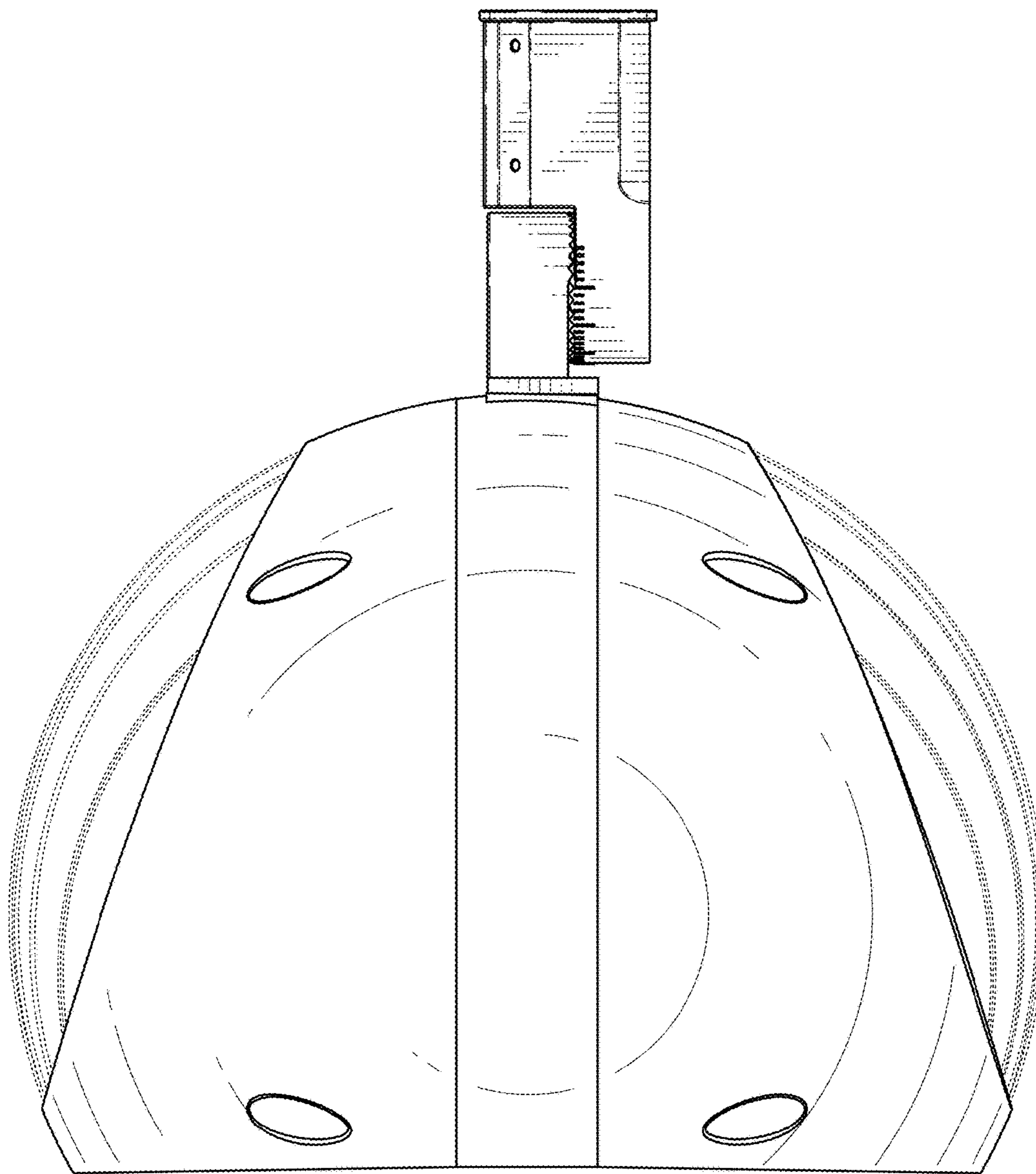


FIG. 3

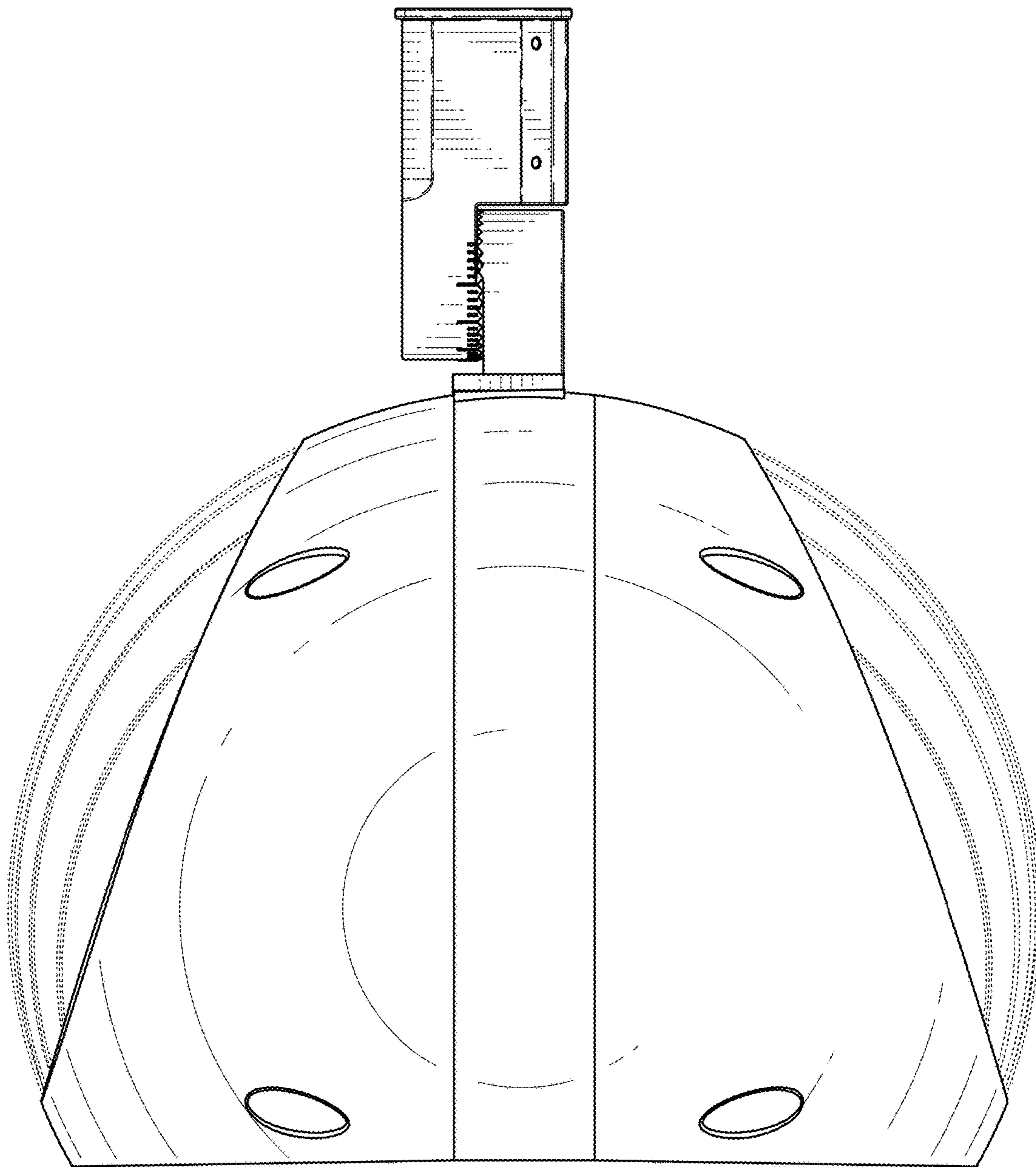


FIG. 4

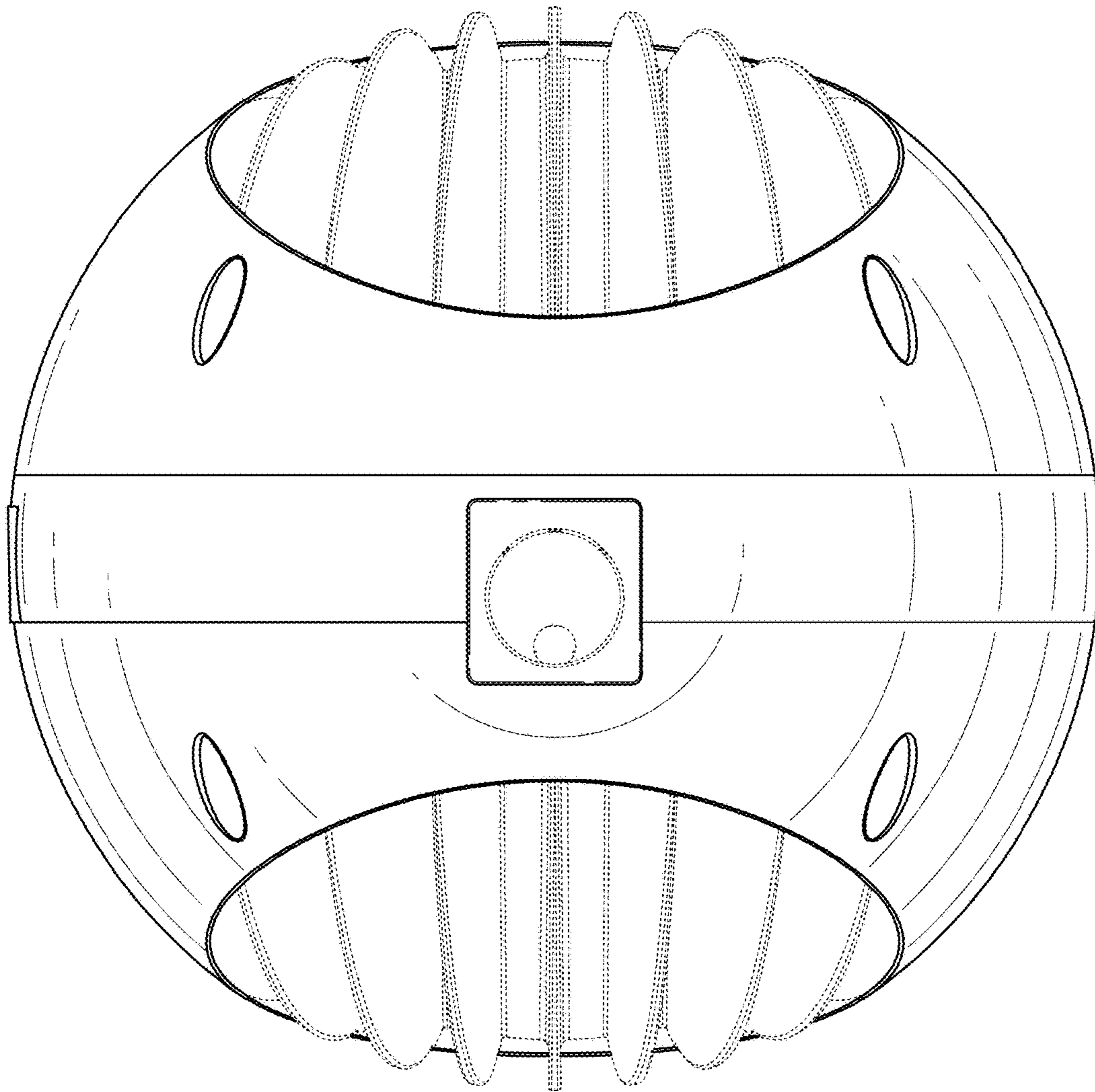


FIG. 5

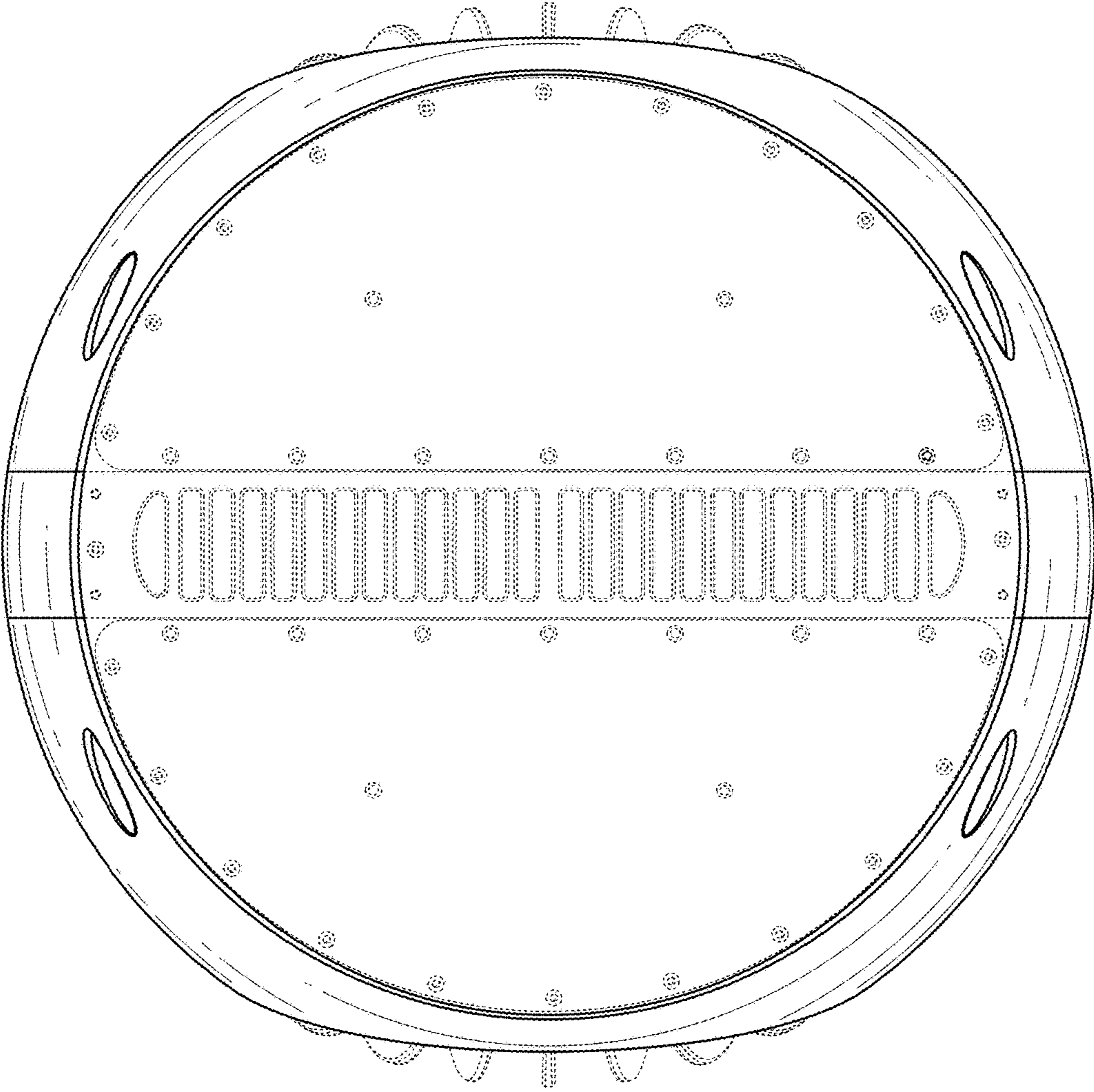


FIG. 6

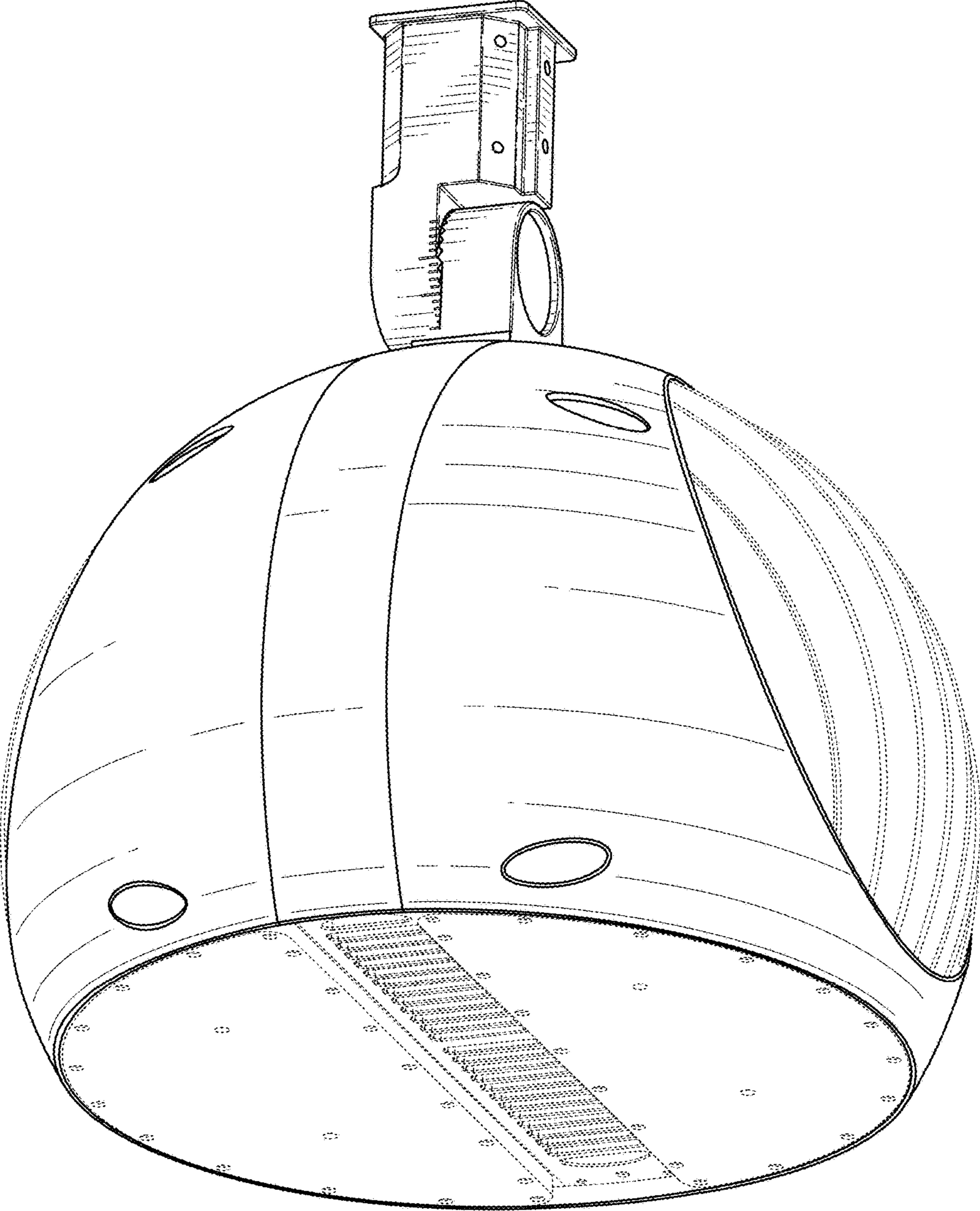


FIG. 7