



US00D837428S

(12) **United States Design Patent** (10) **Patent No.:** **US D837,428 S**  
**Arena** (45) **Date of Patent:** **\*\* Jan. 1, 2019**

(54) **LIGHT HAVING A PIVOTABLE HEAD**

(71) Applicant: **STREAMLIGHT, INC.**, Eagleville, PA (US)

(72) Inventor: **Francis D. Arena**, Horsham, PA (US)

(73) Assignee: **Streamlight, Inc.**, Eagleville, PA (US)

(\*\*) Term: **15 Years**

(21) Appl. No.: **29/560,271**

(22) Filed: **Apr. 5, 2016**

(51) **LOC (11) Cl.** ..... **26-02**

(52) **U.S. Cl.**  
USPC ..... **D26/44**; D26/49

(58) **Field of Classification Search**  
USPC ..... D26/37, 38, 44, 42, 43, 46, 48, 49, 51  
CPC ..... F21L 2003/00; F21L 4/00; F21L 4/005;  
F21L 4/02; F21L 4/025; F21L 4/027;  
F21L 4/04; F21L 4/08; F21L 2005/00;  
F21L 7/00; F21L 11/00; F21L 13/00;  
F21L 13/04; F21L 13/08; F21L 14/02;  
F21L 17/00; F21L 19/00  
See application file for complete search history.

(56) **References Cited**

**U.S. PATENT DOCUMENTS**

D378,434 S *	3/1997	Petterson	.....	D26/44
D407,514 S *	3/1999	Yuen	.....	D26/49
7,059,744 B2	6/2006	Sharrah et al.		
7,172,310 B2	2/2007	Hsu		
D548,385 S	8/2007	Sharrah et al.		
D566,314 S *	4/2008	Jen	.....	D26/49

(Continued)

**OTHER PUBLICATIONS**

Streamlight, "TLR-VIR Product Fact Sheet", Issued Oct. 3, 2008, Revised Apr. 21, 2014, 1 sheet, Document #255.

(Continued)

*Primary Examiner* — Karen E Kearney

*Assistant Examiner* — Carissa C Fitts

(74) *Attorney, Agent, or Firm* — Clement A. Berard, Esq.; Dann, Dorfman, Herrell & Skillman, PC

(57) **CLAIM**

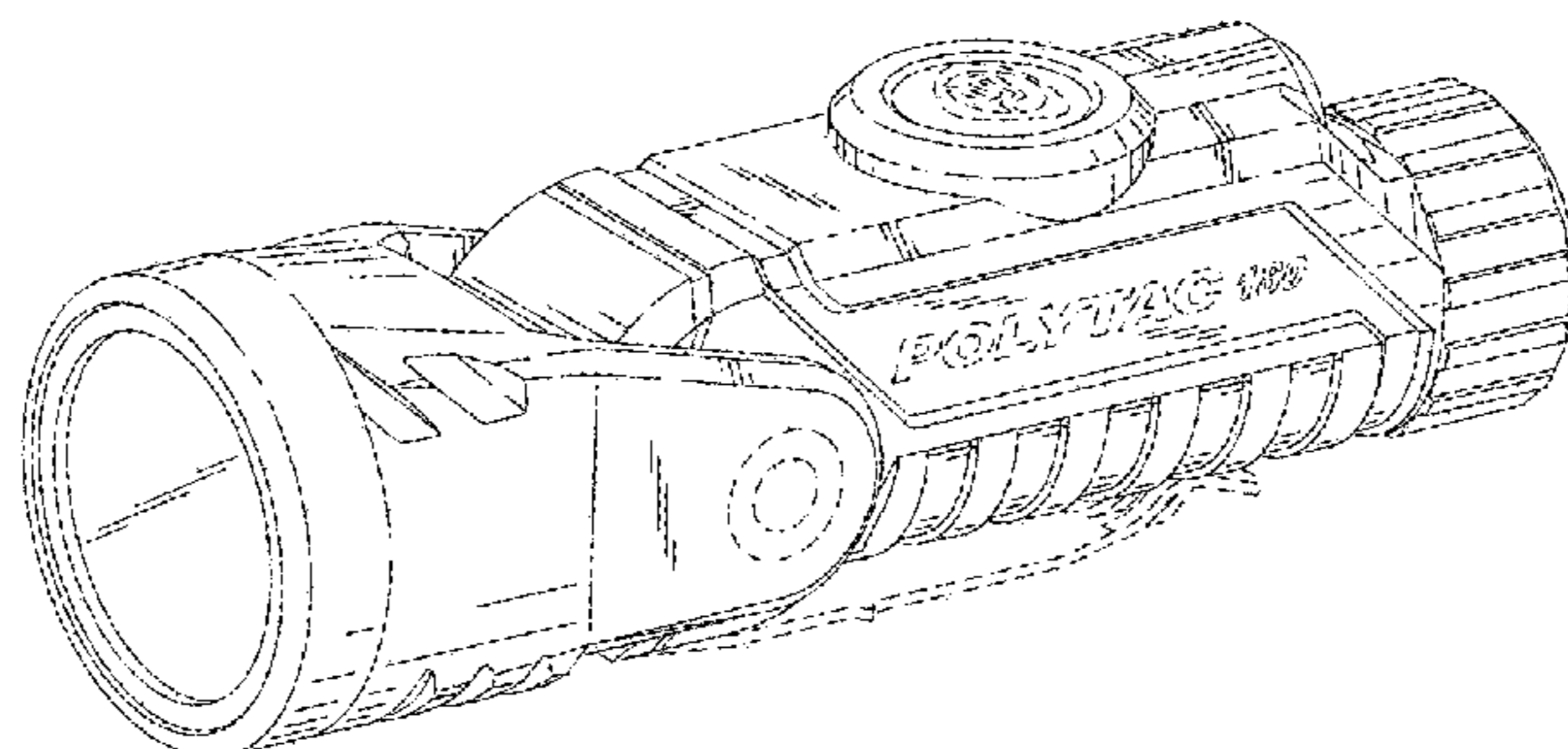
The ornamental design for a light having a pivotable head, as shown and described.

**DESCRIPTION**

FIG. 1 is a perspective view of an ornamental design for a light having a pivotable head;  
FIG. 2 is a second perspective view thereof;  
FIG. 3 is a side view of a first side thereof;  
FIG. 4 is a side view of a second side thereof;  
FIG. 5 is a side view of a third side thereof;  
FIG. 6 is a side view of a fourth side thereof;  
FIG. 7 is an end view of a first end thereof;  
FIG. 8 is an end view of a second end thereof;  
FIG. 9 is a side view of the first side thereof with the pivotable head pivoted upward to an alternate position;  
FIG. 10 is a side view of the first side thereof with the pivotable head pivoted further upward to an alternate position;  
FIG. 11 is a side view of the first side thereof with the pivotable head pivoted downward to an alternate position;  
FIG. 12 is a side view of the first side thereof with the pivotable head pivoted further downward to an alternate position;  
FIG. 13 is a first perspective view thereof with a mounting bracket attached; and,  
FIG. 14 is a second perspective view thereof with the mounting bracket attached.

Broken lines in the illustrations of the drawing indicate unclaimed parts of the article that form no part of the design illustrated and claimed herein, and are not part of the claimed design. The mounting bracket shown in broken line in FIGS. 13-14 is not part of the claimed design.

**1 Claim, 7 Drawing Sheets**



(56)

**References Cited**

U.S. PATENT DOCUMENTS

7,614,760 B2 11/2009 Sharrah et al.  
 D605,795 S \* 12/2009 Baker ..... D26/44  
 D611,629 S 3/2010 Sharrah et al.  
 D612,970 S 3/2010 Sharrah et al.  
 7,731,385 B2 6/2010 Spartano et al.  
 8,287,157 B2 10/2012 Sharrah et al.  
 D674,525 S 1/2013 Sharrah et al.  
 8,371,729 B2 2/2013 Sharrah et al.  
 D685,510 S \* 7/2013 Henry ..... D26/60  
 D707,869 S \* 6/2014 Wu ..... D26/46  
 D728,139 S \* 4/2015 Wang ..... D26/49  
 D737,487 S \* 8/2015 Beckett ..... D26/38  
 D740,986 S \* 10/2015 Hine ..... D26/46  
 D751,742 S \* 3/2016 Windom ..... D26/49  
 D765,295 S \* 8/2016 McLennan ..... F21V 21/0885  
 D26/49  
 D767,187 S \* 9/2016 Hine ..... D26/49  
 2009/0190332 A1 7/2009 Sharrah  
 2010/0277899 A1\* 11/2010 Peak ..... B60Q 7/00  
 362/183

2012/0139452 A1\* 6/2012 Galli ..... F41G 11/004  
 315/313  
 2015/0276347 A1 10/2015 Sharrah et al.  
 2016/0018071 A1\* 1/2016 Sharrah ..... F21L 4/025  
 362/184

OTHER PUBLICATIONS

Streamlight, "TLR-VIR Operating Instructions", © 2012, Rev B 5/12, 8 pages.  
 Streamlight, "TLR-VIR Tactical Gun Mount", printed Feb. 29, 2016, 2 pages, <http://www.streamlight.com/en-au/product.html?pid=198>.  
 Streamlight, "Vantage Product Fact Sheet", Issued Apr. 4, 2008, Revised Jul. 1, 2014, 1 sheet, Document #249.  
 Streamlight, "Vantage Operating Instructions", Rev D 7/13, 20 pages.  
 Streamlight, "Vantage Helmet Mount", printed Feb. 29, 2016, 2 pages, <http://www.streamlight.com/it-it/product/product.html?pid=194>.  
 Sharrah, Jonathan R., "Light Mountable on a Handgun", U.S. Appl. No. 29/514,738, filed Jan. 15, 2015, 26 pages.

\* cited by examiner

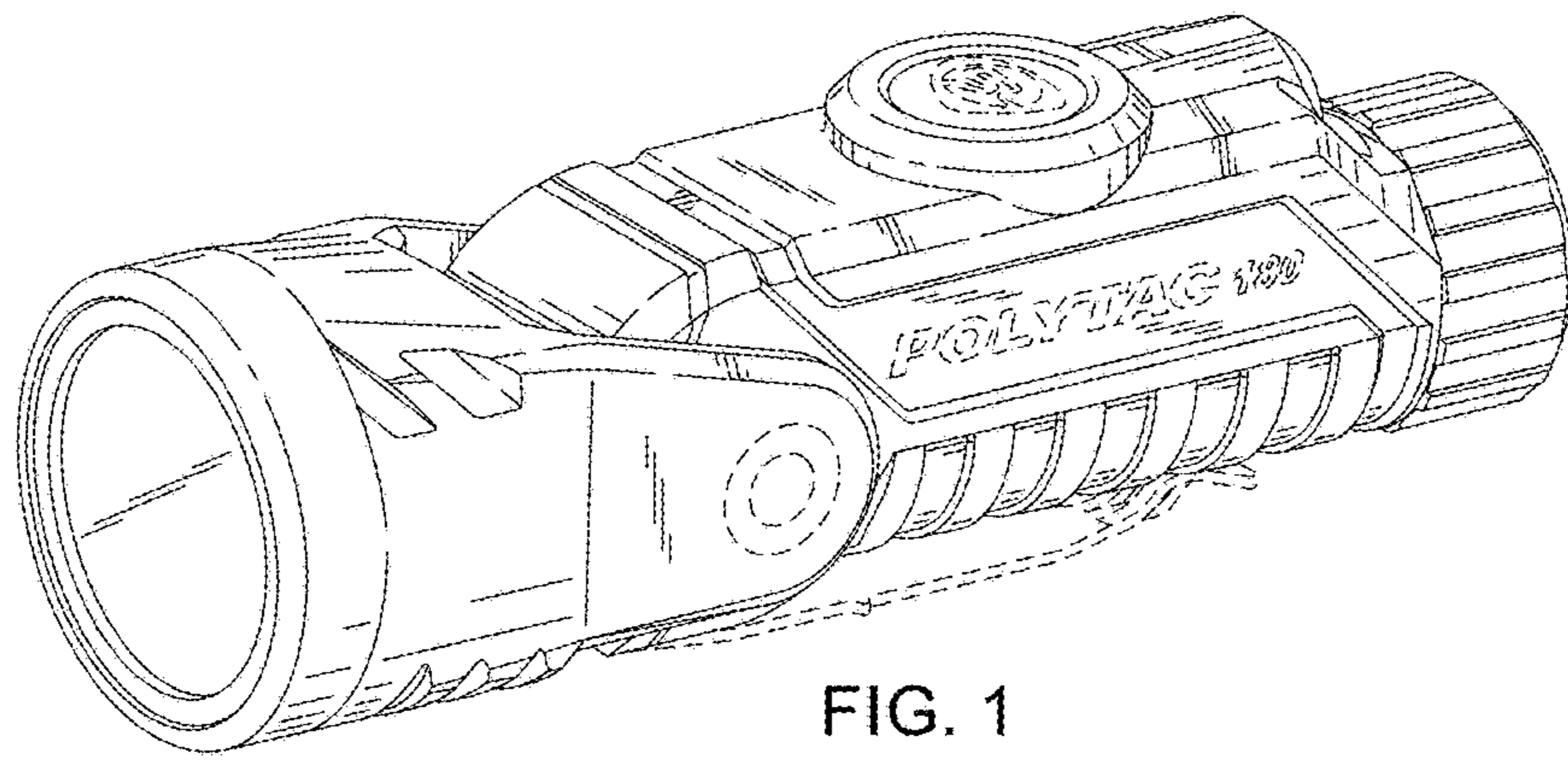


FIG. 1

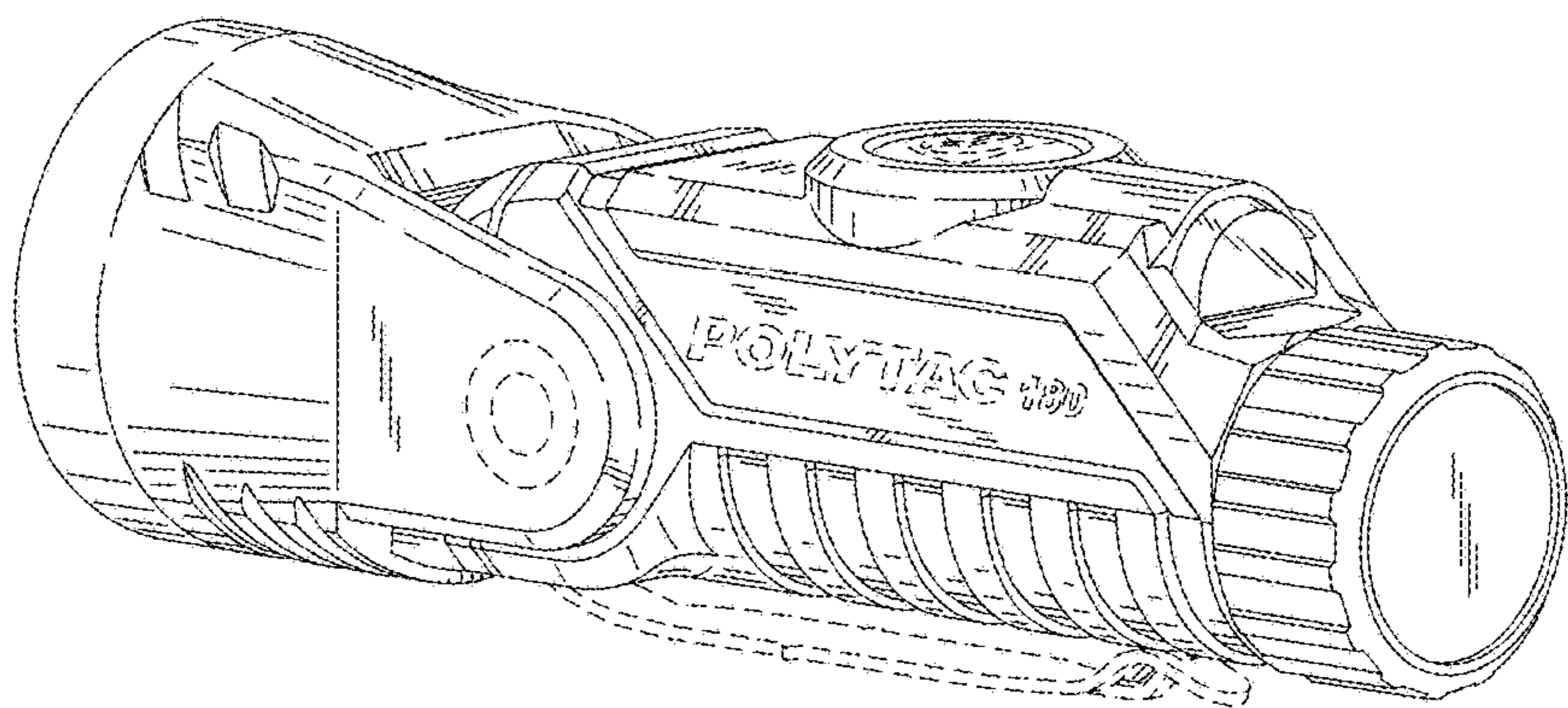


FIG. 2

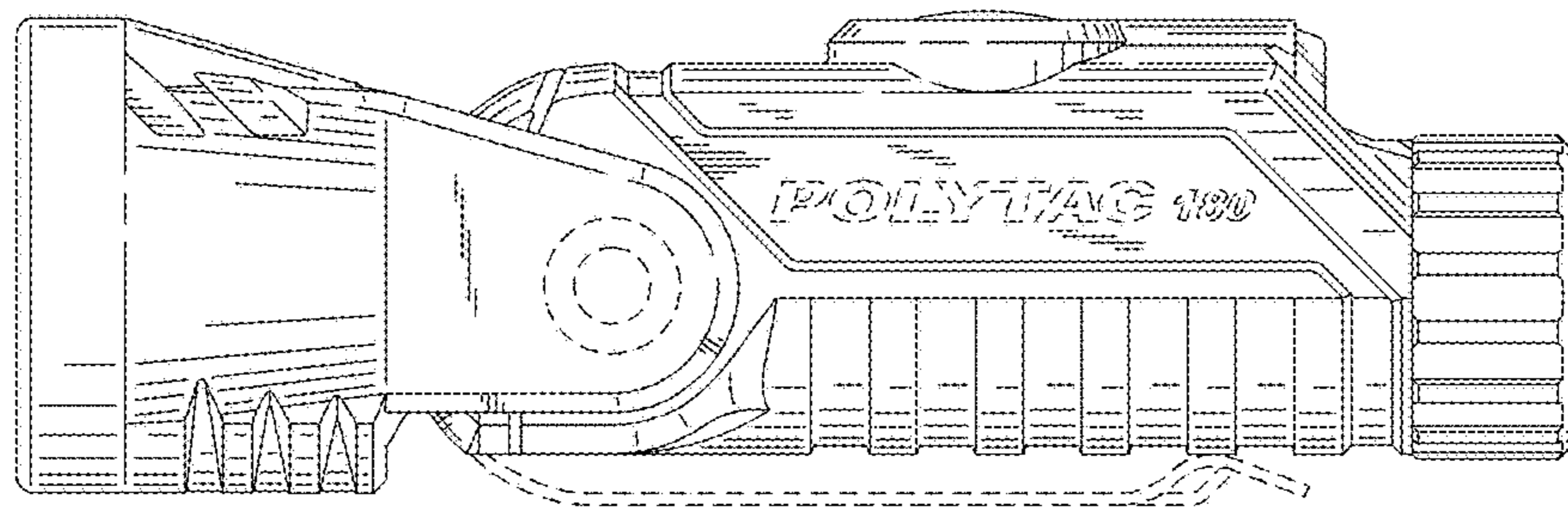


FIG. 3

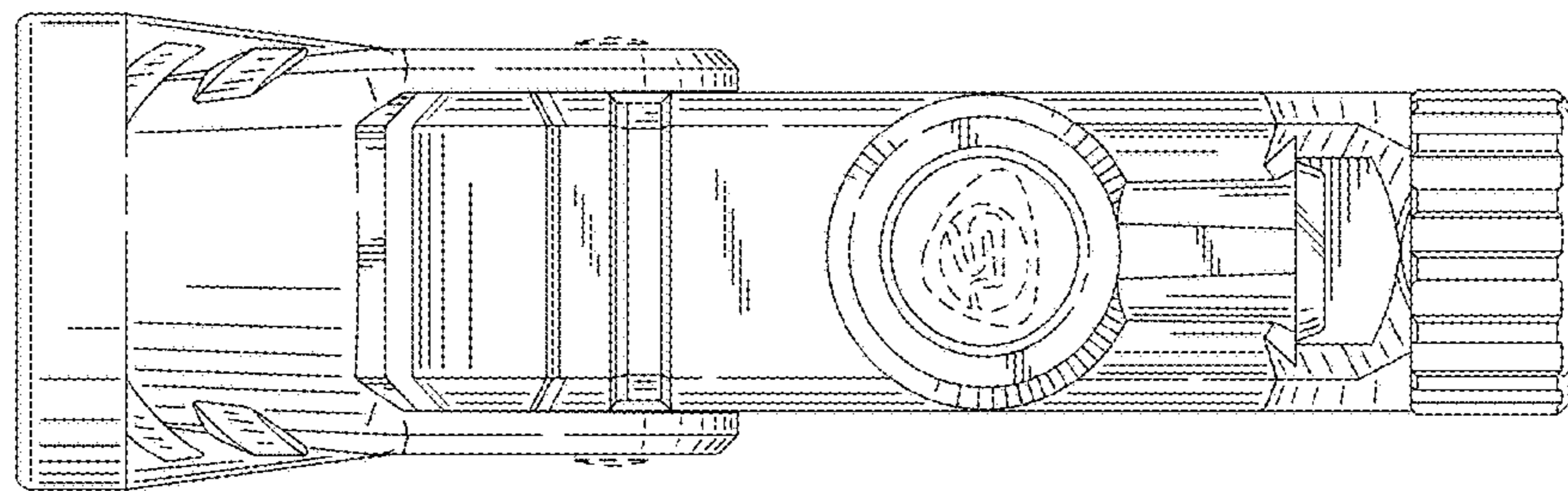


FIG. 4

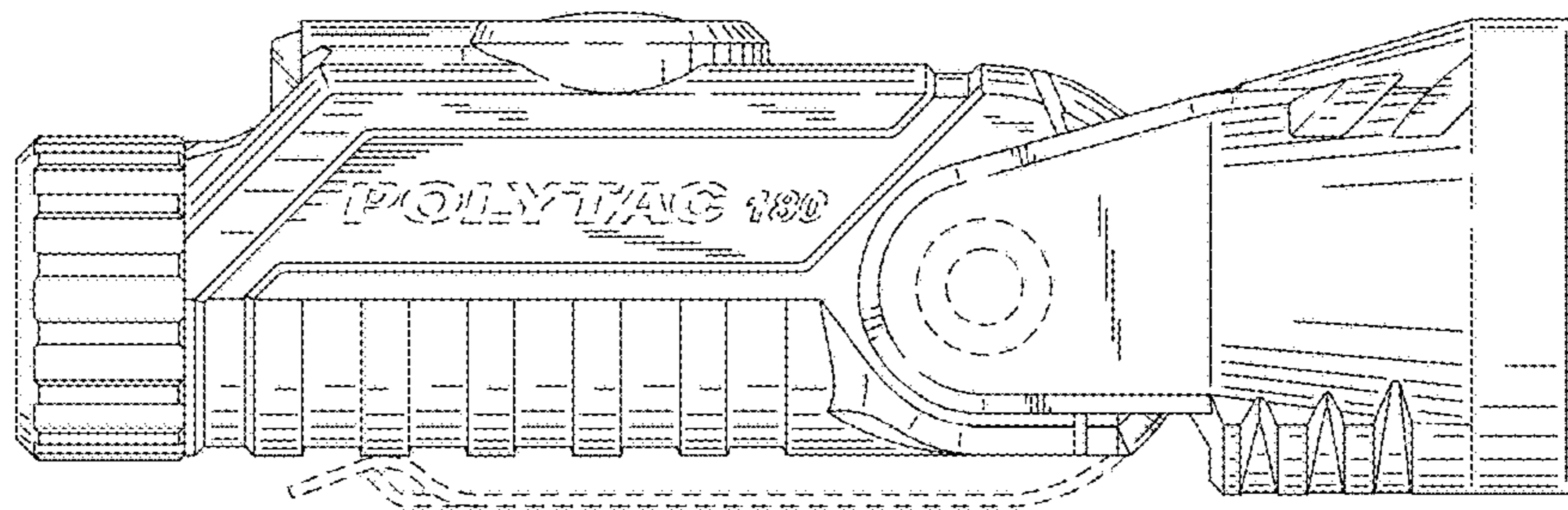


FIG. 5

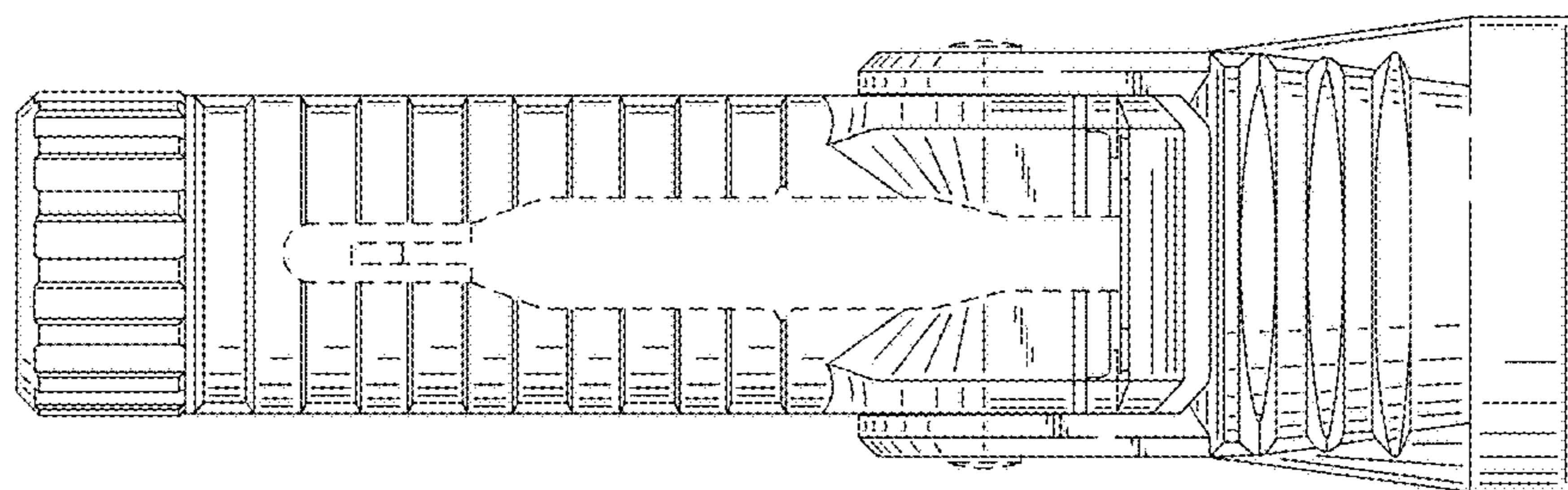


FIG. 6

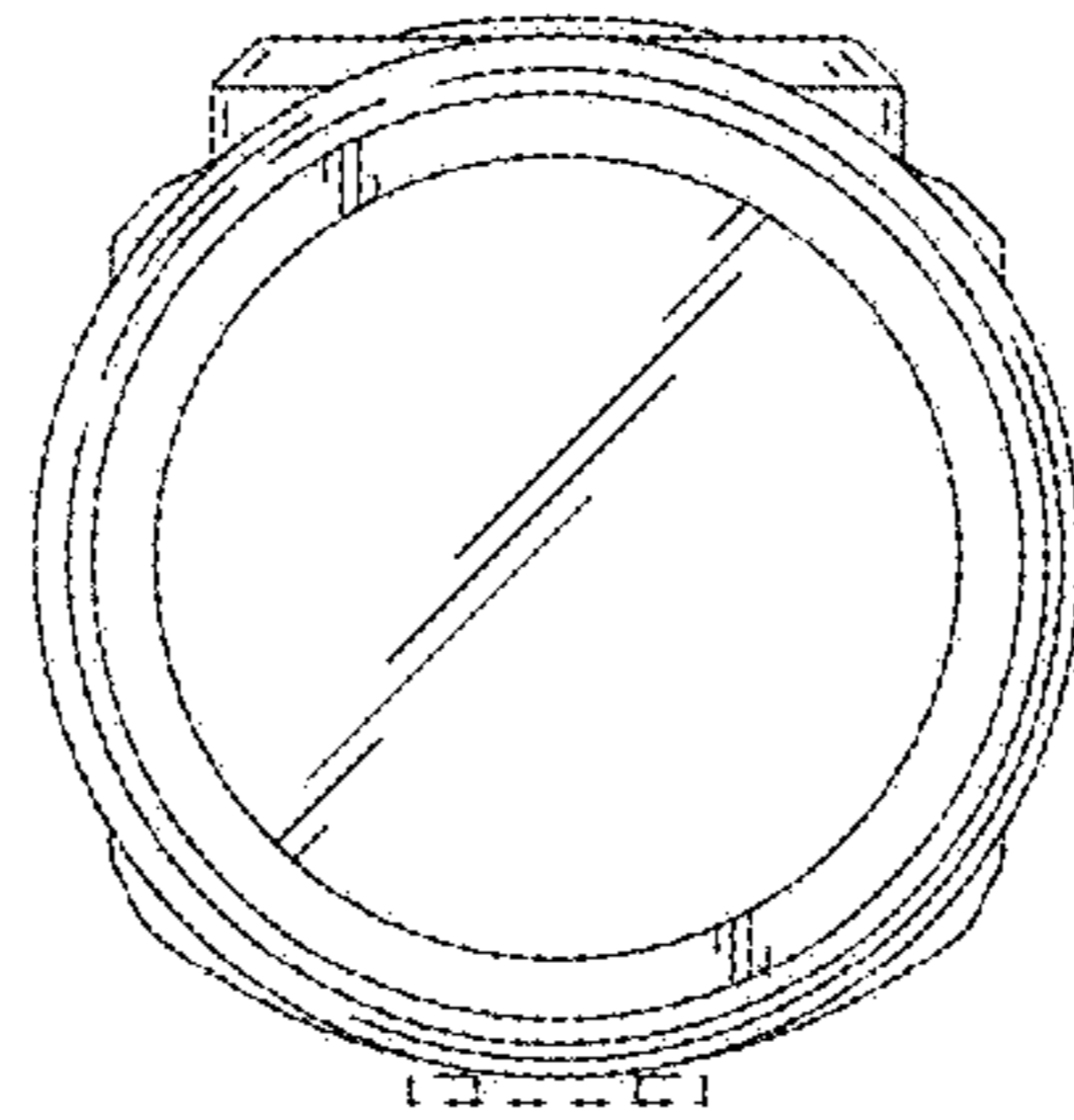


FIG. 7

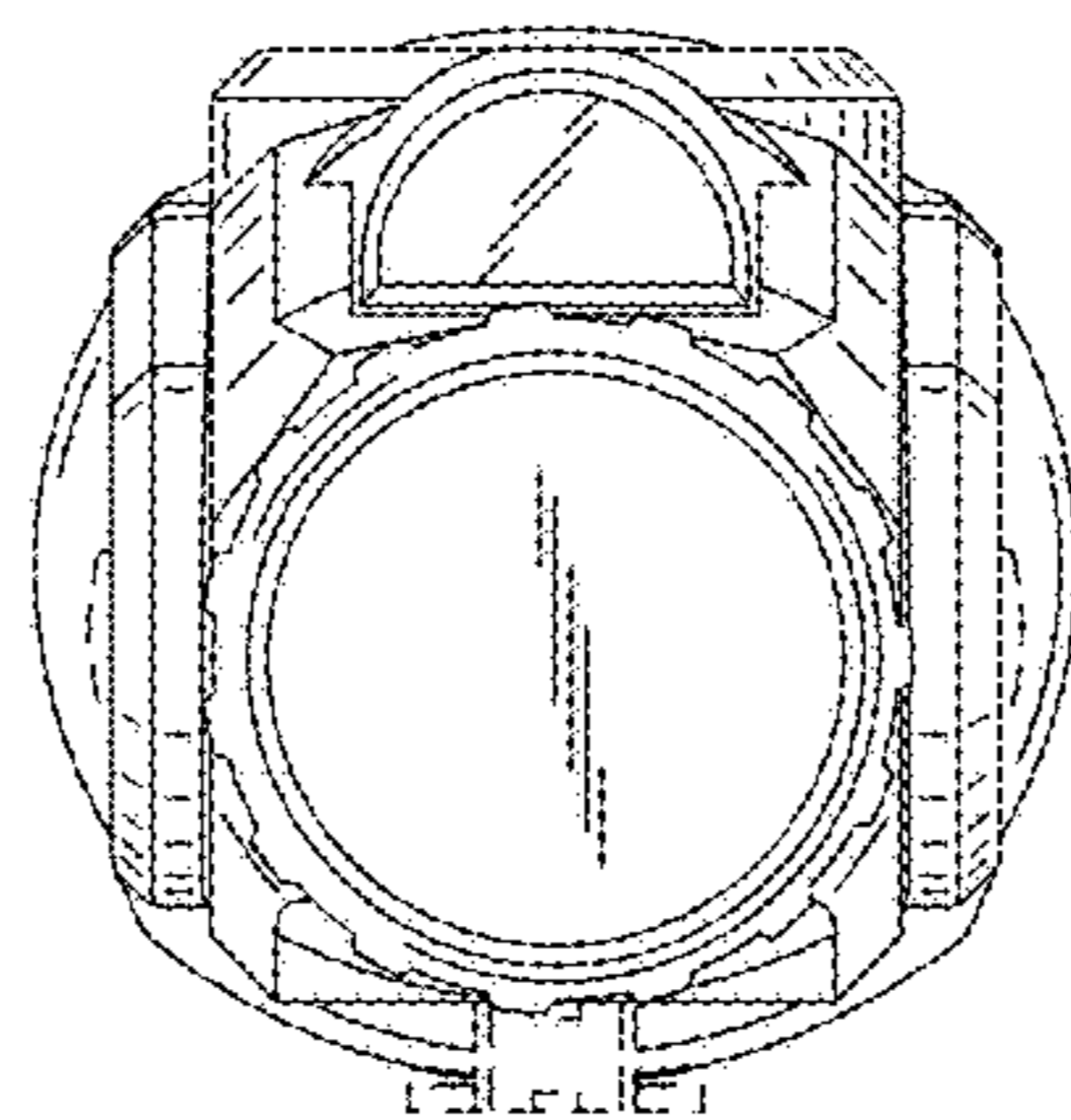


FIG. 8

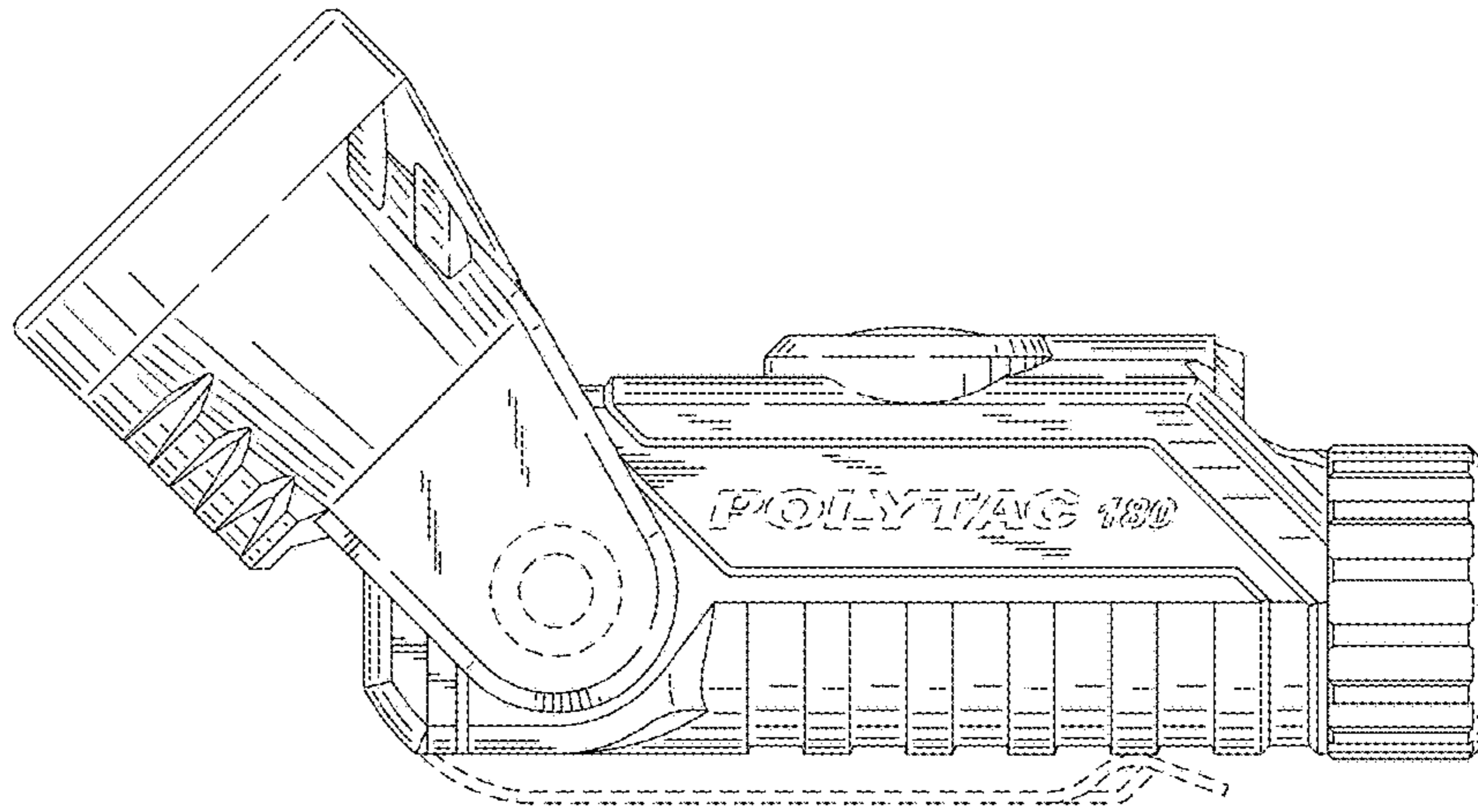


FIG. 9

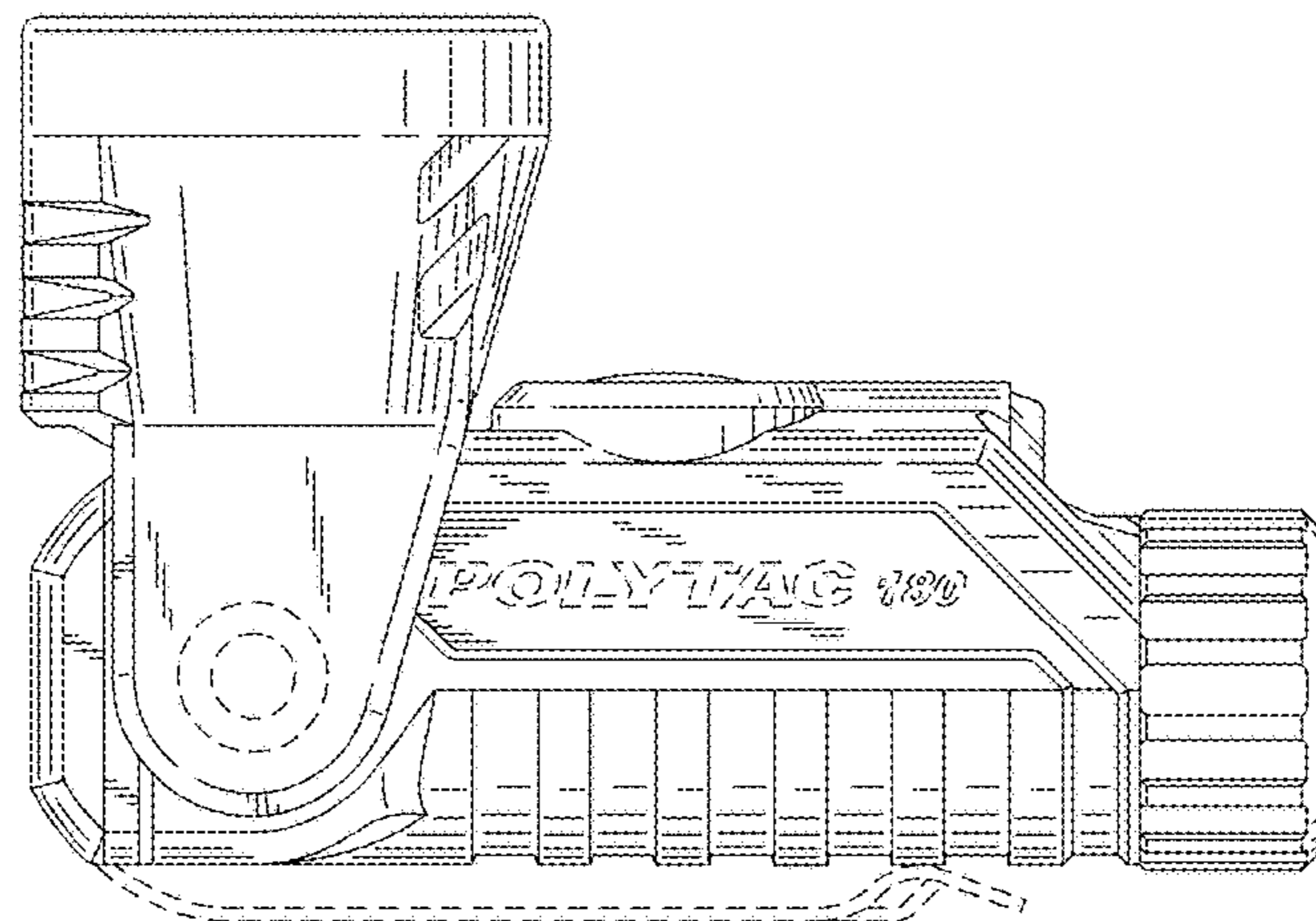
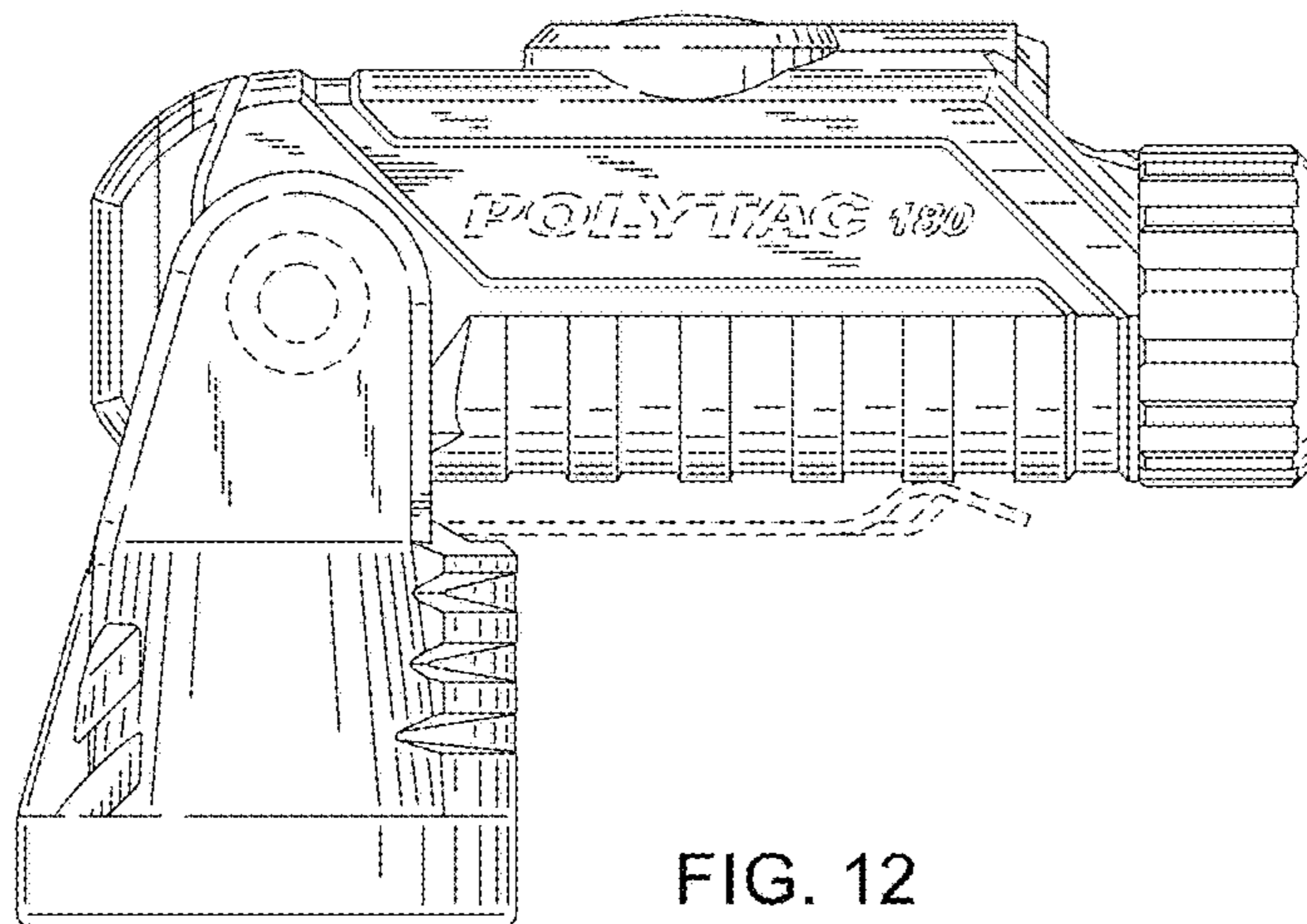
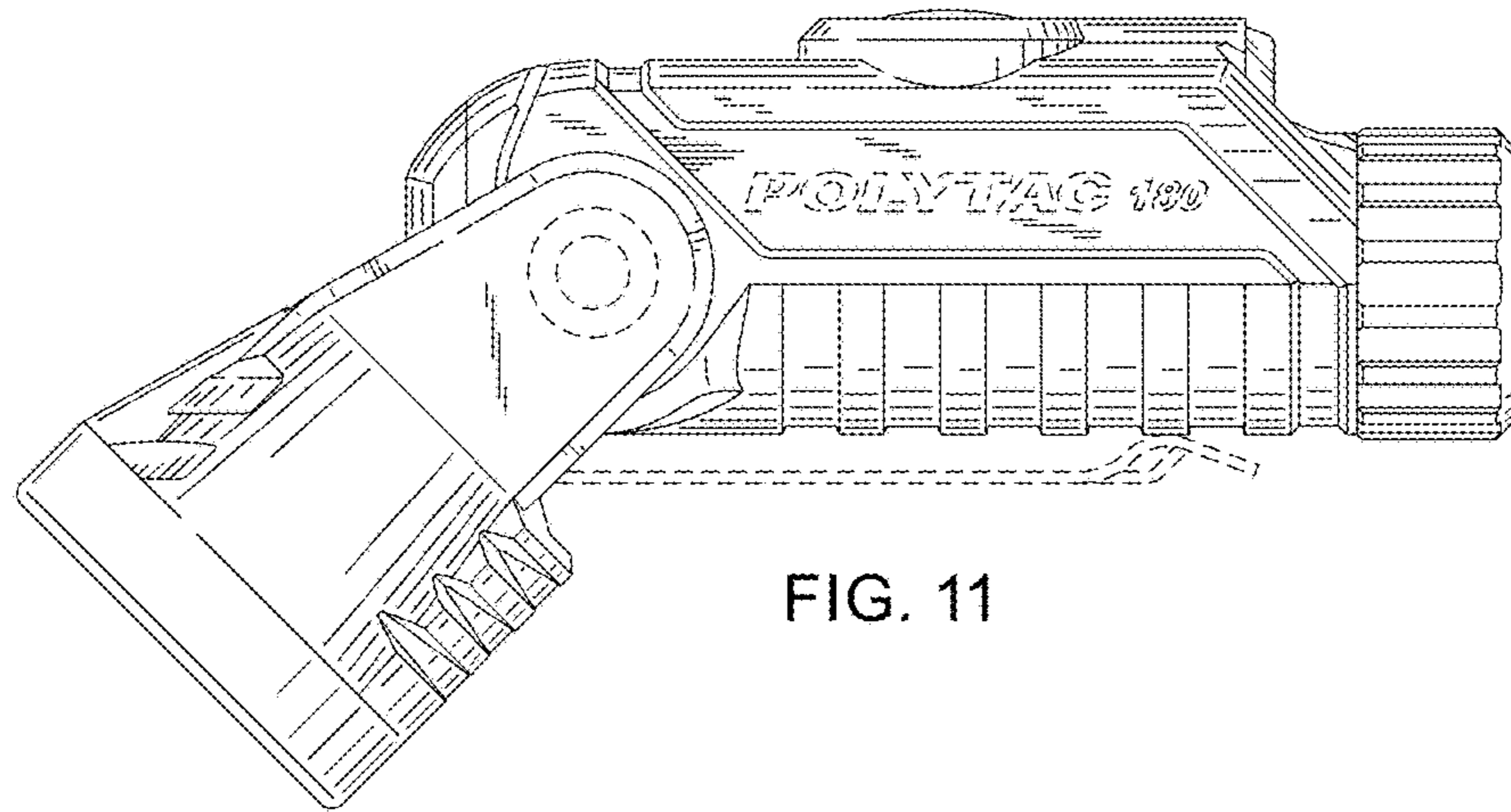


FIG. 10





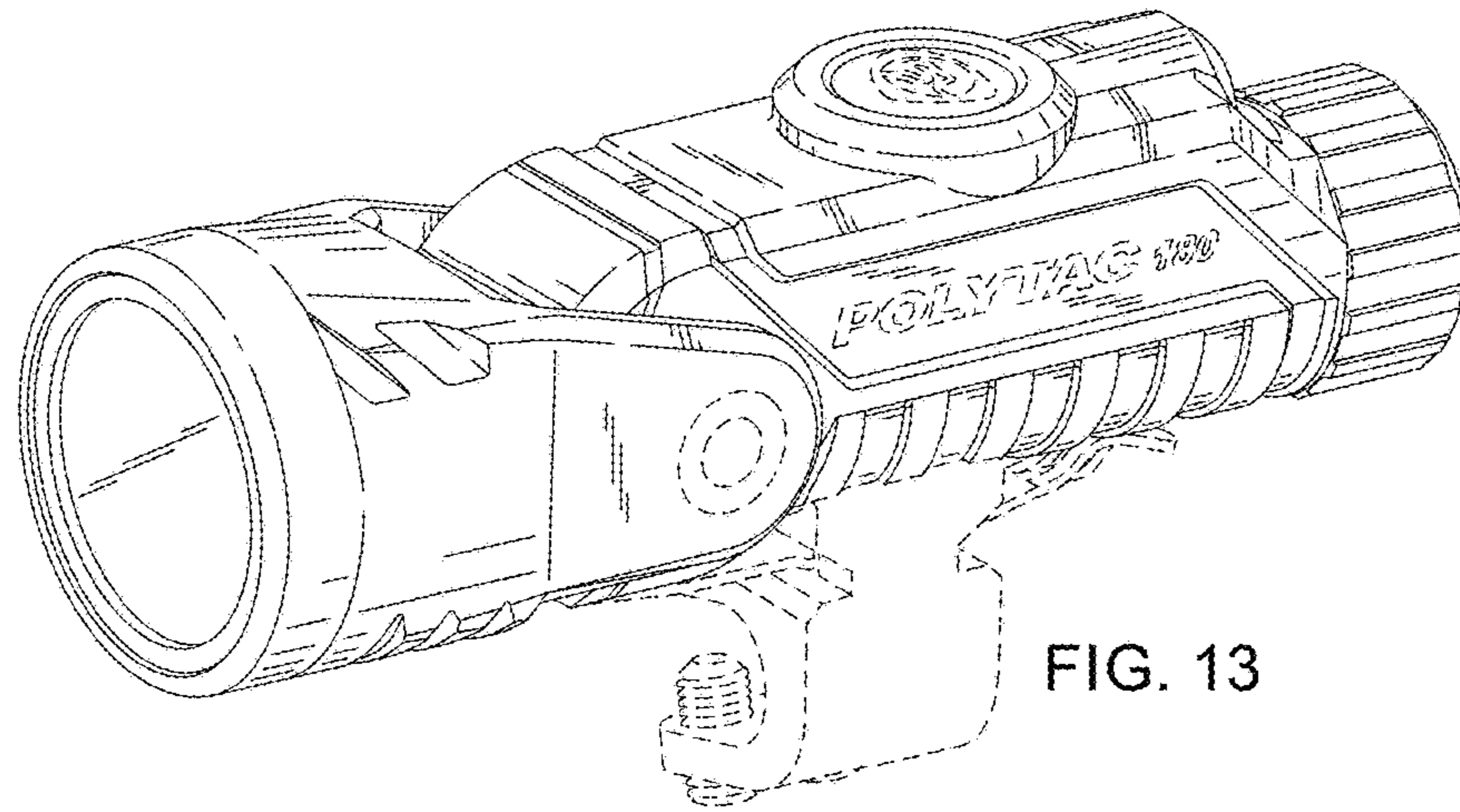


FIG. 13

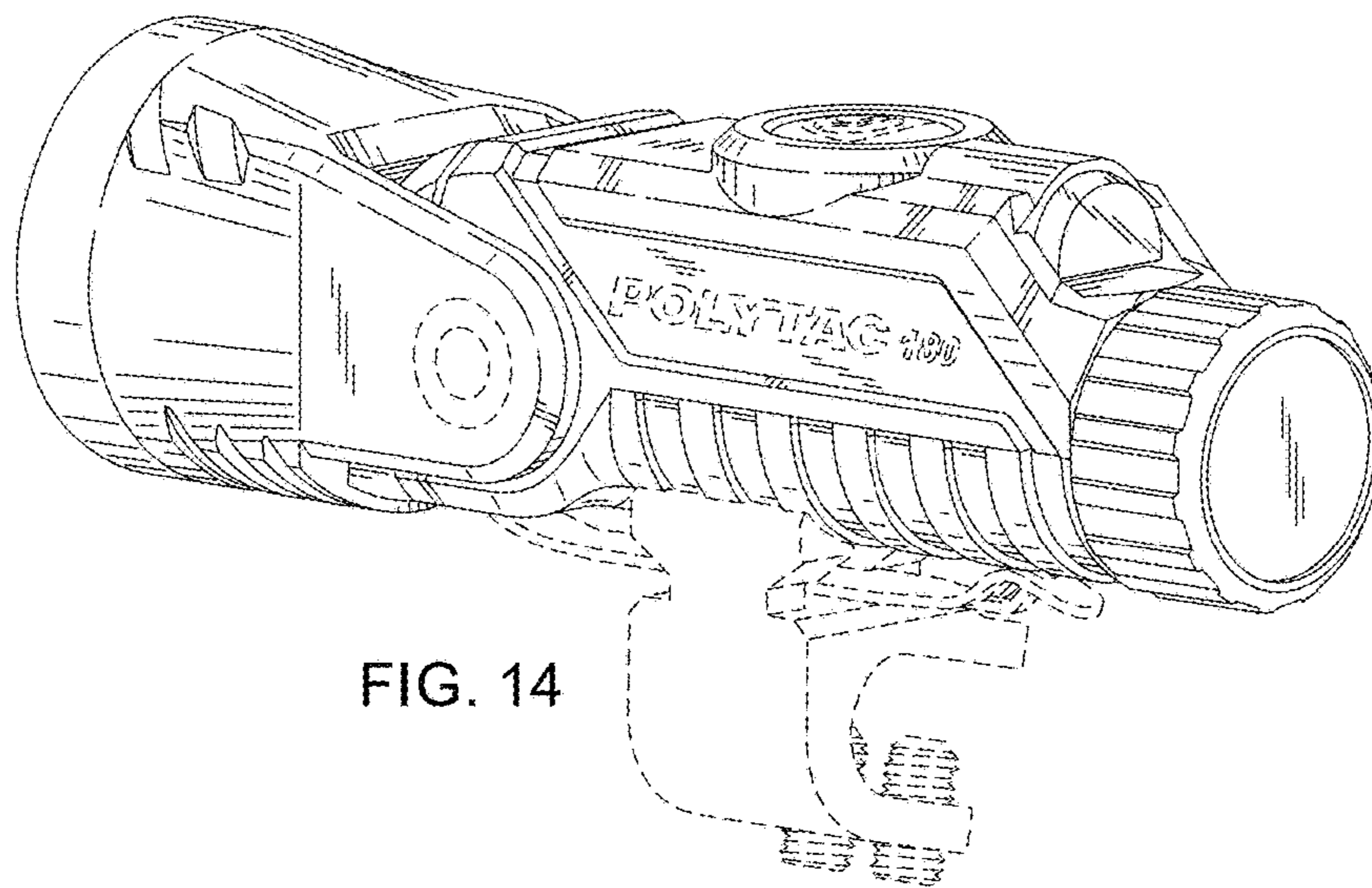


FIG. 14