



US00D837425S

(12) **United States Design Patent** (10) **Patent No.:** **US D837,425 S**
Badstuebner et al. (45) **Date of Patent:** **** Jan. 1, 2019**

(54) **TAILLIGHT FOR A VEHICLE**
(71) Applicant: **Daimler AG**, Stuttgart (DE)
(72) Inventors: **Achim-Dietrich Badstuebner**, Munich (DE); **Denis Di Pardo**, Nufringen (DE); **Stefan Handt**, Stuttgart (DE); **Robert Lesnik**, Leonberg (DE)
(73) Assignee: **Daimler AG**, Stuttgart (DE)
(**) Term: **15 Years**

D635,694 S * 4/2011 Yang D26/28
D643,339 S 8/2011 Burki et al.
D643,348 S 8/2011 Burki et al.
D644,363 S 8/2011 Antoniadis et al.

* cited by examiner
Primary Examiner — Marcus A Jackson
(74) *Attorney, Agent, or Firm* — Crowell & Moring LLP

(21) Appl. No.: **29/622,855**
(22) Filed: **Oct. 20, 2017**
(51) **LOC (11) Cl.** **26-06**
(52) **U.S. Cl.**
USPC **D26/28**
(58) **Field of Classification Search**
USPC D26/28–36
CPC F21S 48/00; F21S 48/10; F21S 48/115;
F21S 48/225; F21S 48/1233; F21S
48/1266; F21S 48/1388; F21S 48/2268;
F21V 21/04; B60Q 9/13; B60Q 9/135;
B60Q 9/1375
See application file for complete search history.

(57) **CLAIM**
The ornamental design for a taillight for a vehicle, as shown and described.

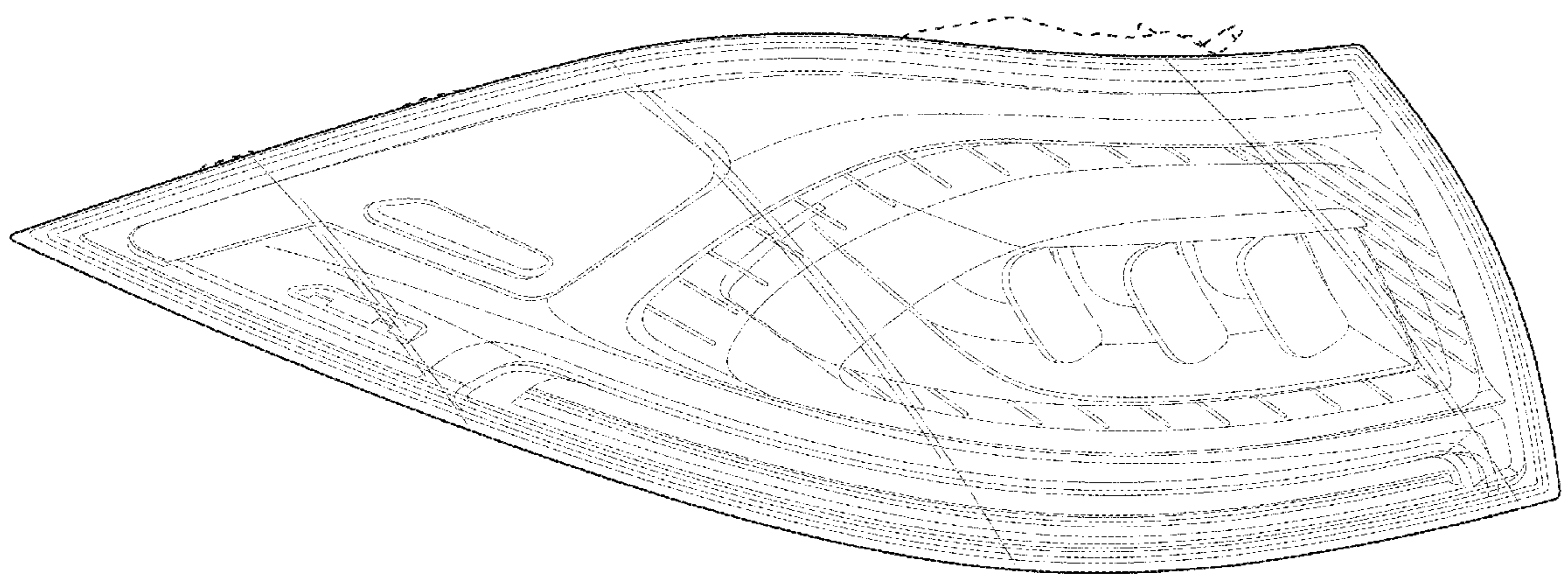
DESCRIPTION

This application contains subject matter related to the following co-pending U.S. design patent applications: Application Ser. No. 29/622,856, filed herewith and entitled “Taillight for a Vehicle”; and Application Ser. No. 29/603,162, filed May 8, 2017 and entitled “Vehicle, Toy, and/or Replicas Thereof.”
FIG. 1 is a front view of a first embodiment of a taillight for a vehicle according to the design;
FIG. 2 is a left perspective view thereof;
FIG. 3 is a left side view thereof; and
FIG. 4 is a top view thereof.
FIG. 5 is a front view of a second embodiment of a taillight for a vehicle with the taillight for a vehicle for the opposite side of the vehicle being depicted in the first embodiment;
FIG. 6 is a right perspective view thereof;
FIG. 7 is a right side view thereof; and,
FIG. 8 is a top view thereof.

(56) **References Cited**
U.S. PATENT DOCUMENTS
D544,614 S * 6/2007 Markefka D26/28
D561,358 S * 2/2008 Tachibana D26/28
D570,007 S * 5/2008 Hsu D26/28
D582,587 S * 12/2008 Yang D26/28

The broken lines in the drawings illustrate environmental subject matter only and form no part of the claimed design.

1 Claim, 8 Drawing Sheets



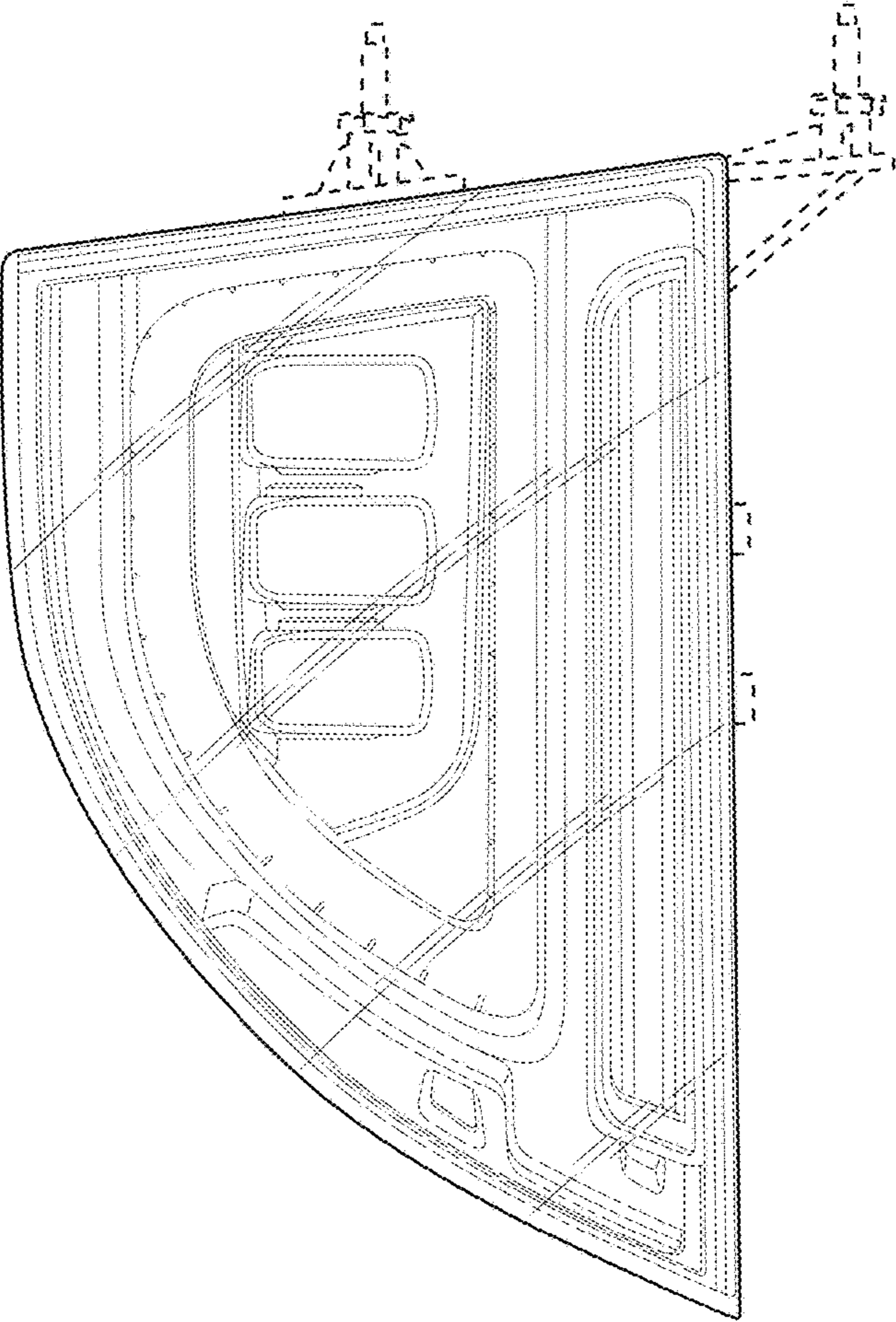


FIG. 1

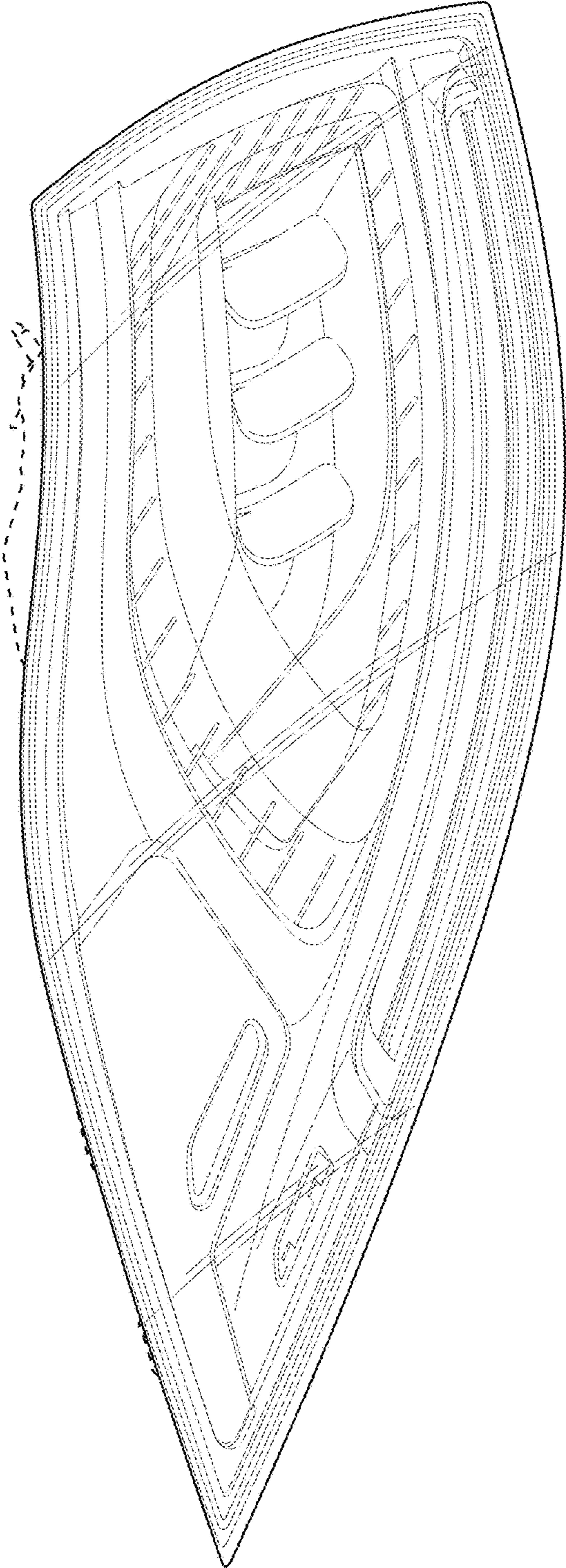


FIG. 2

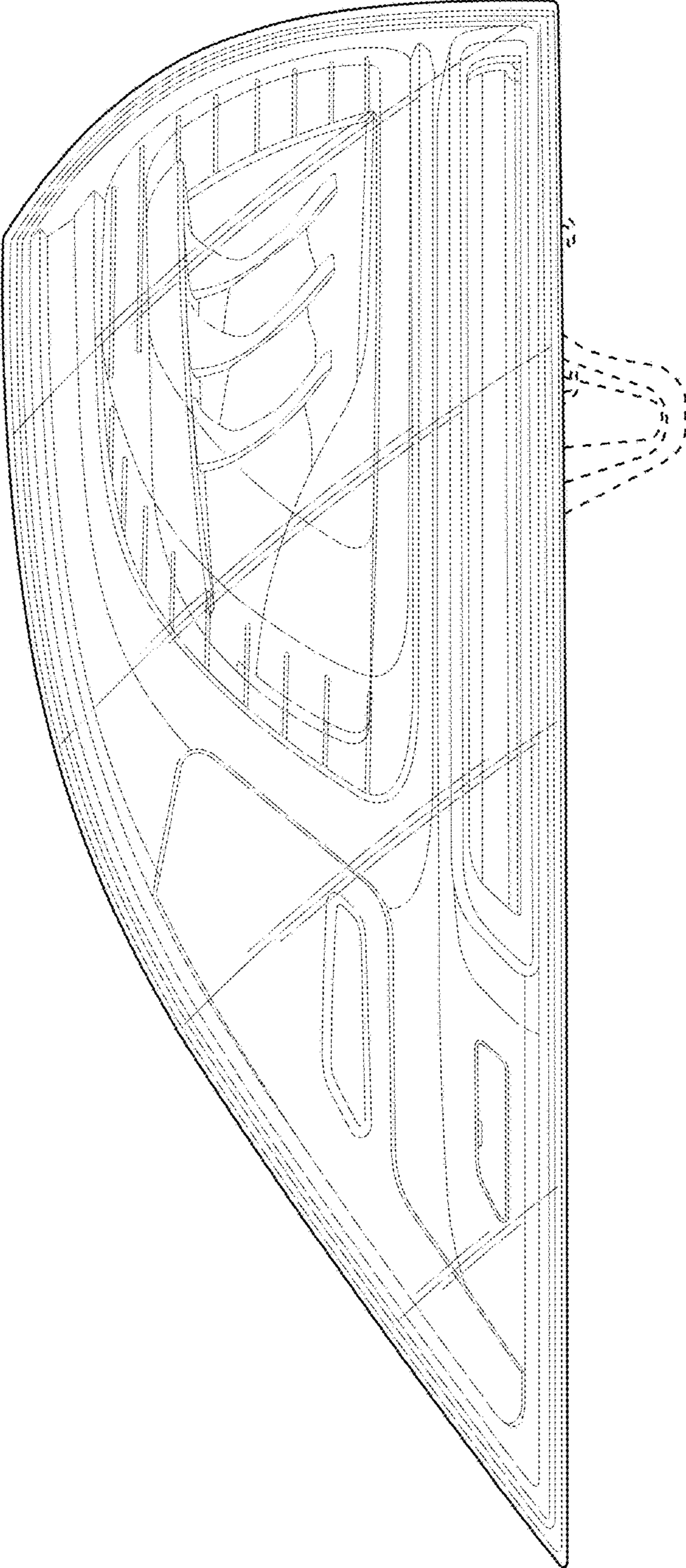


FIG. 3

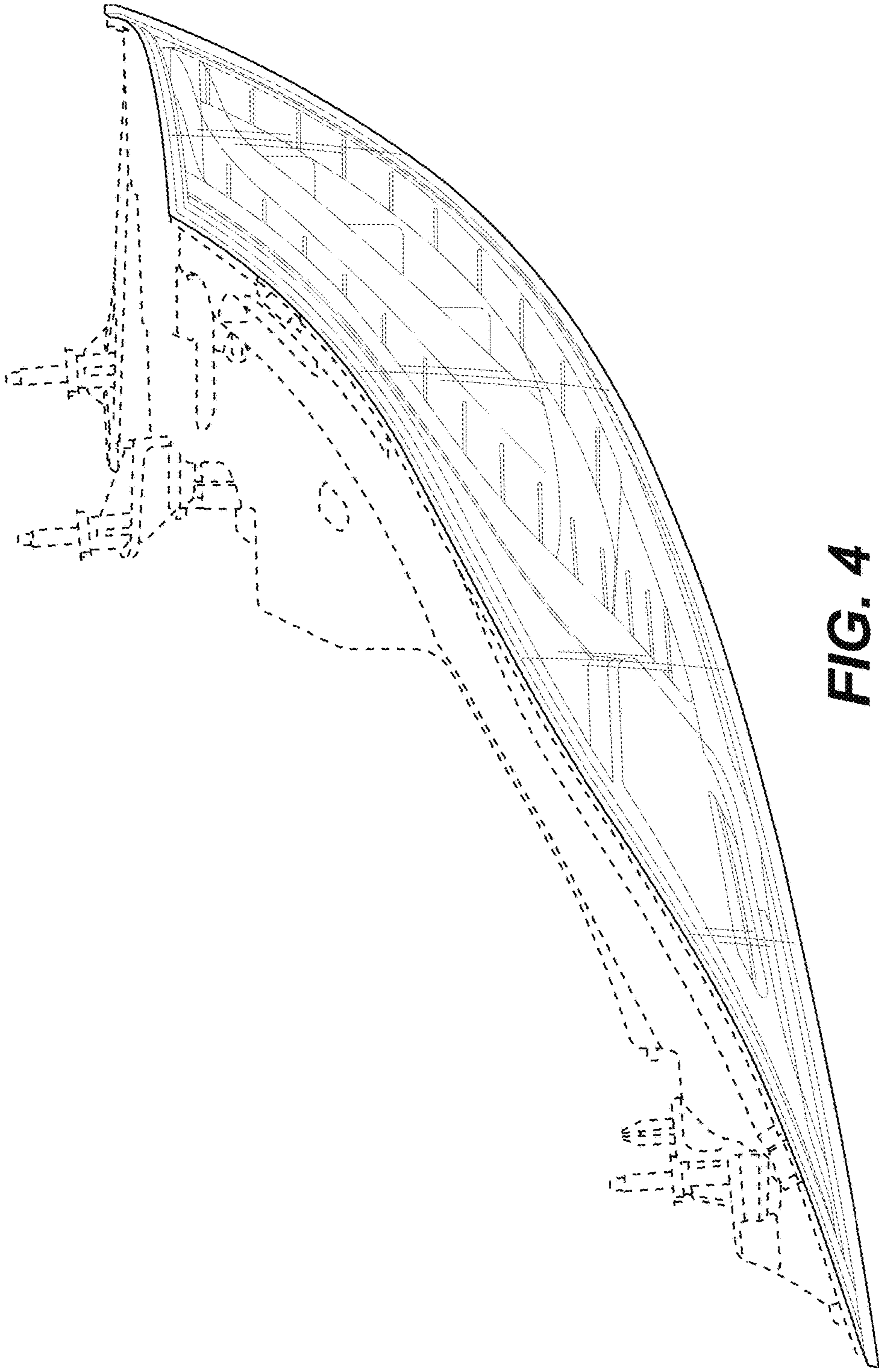


FIG. 4

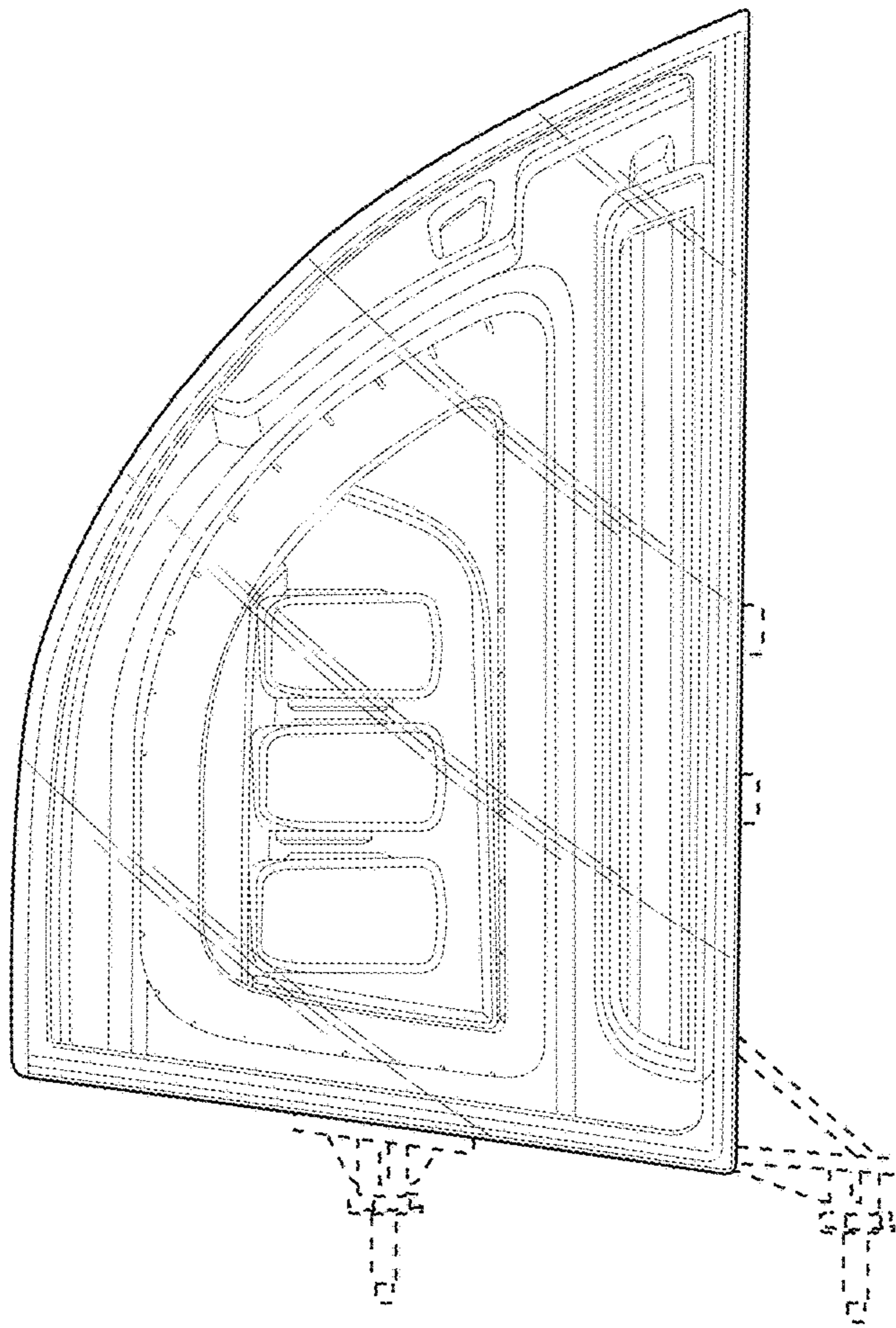


FIG. 5

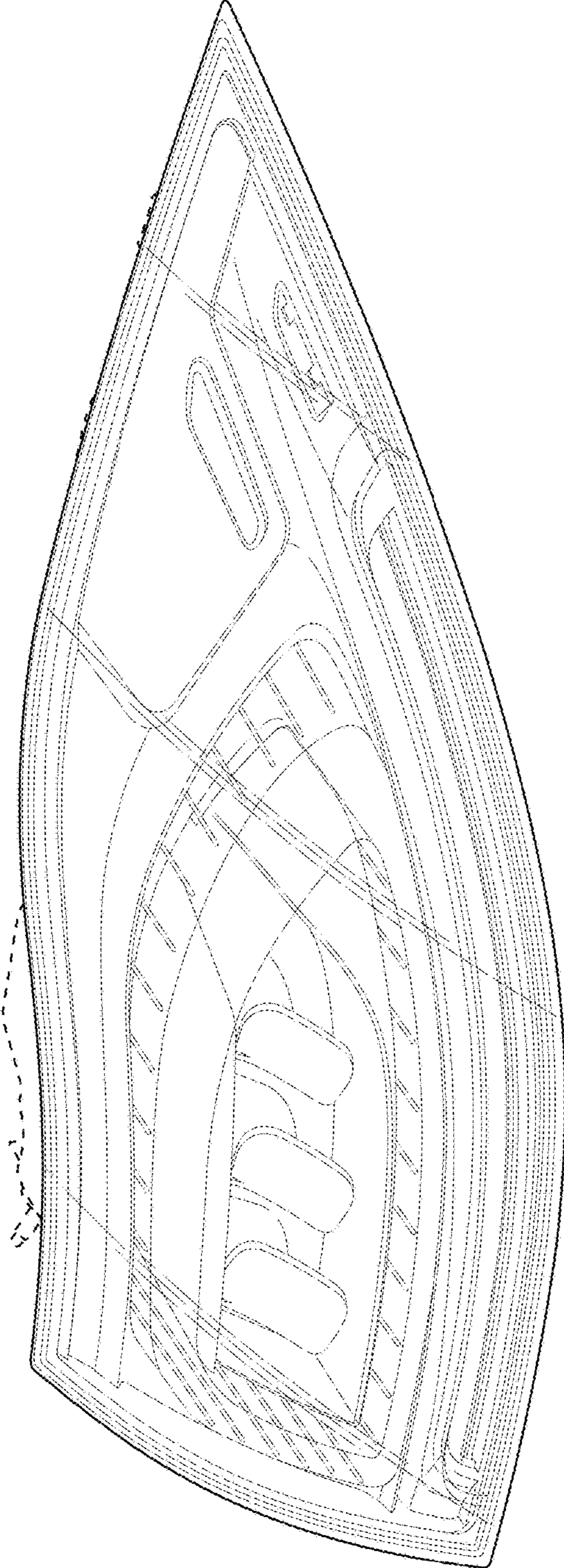


FIG. 6

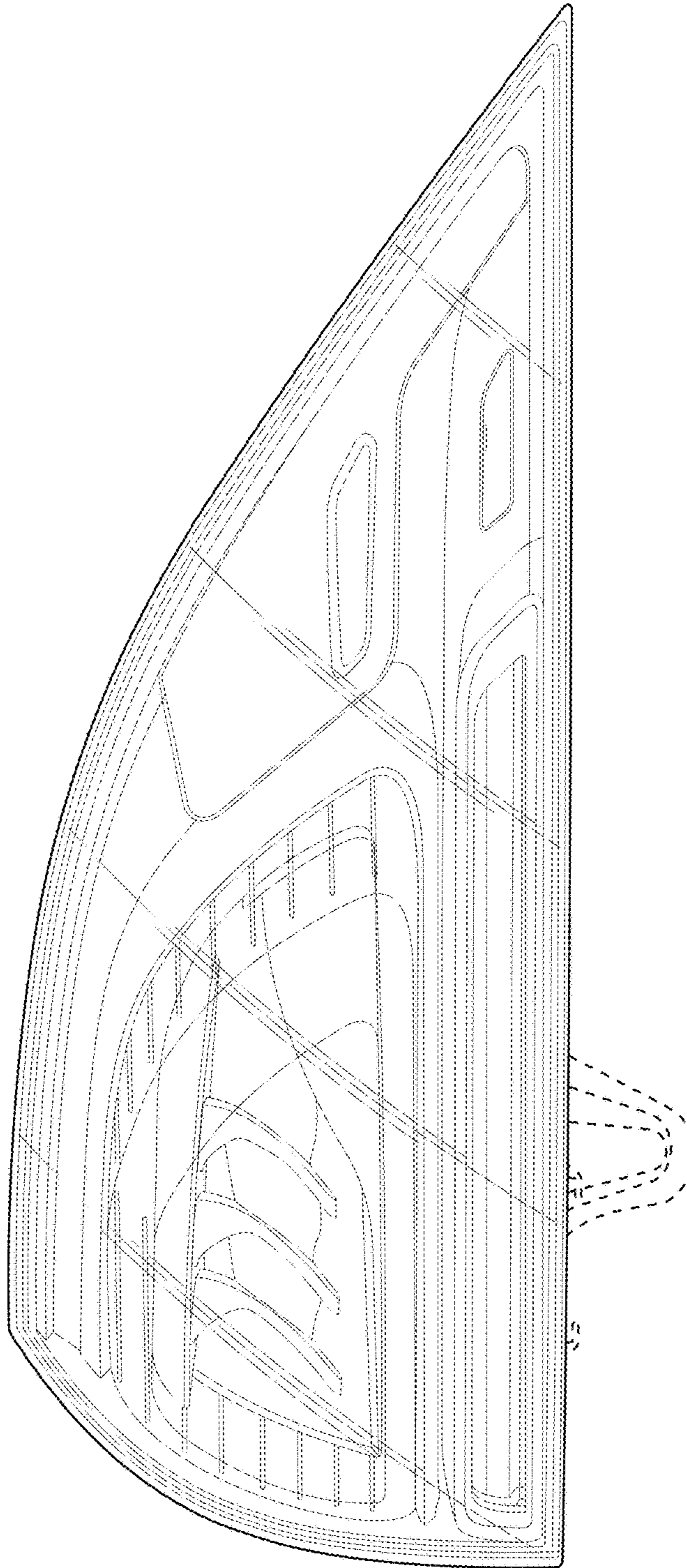


FIG. 7

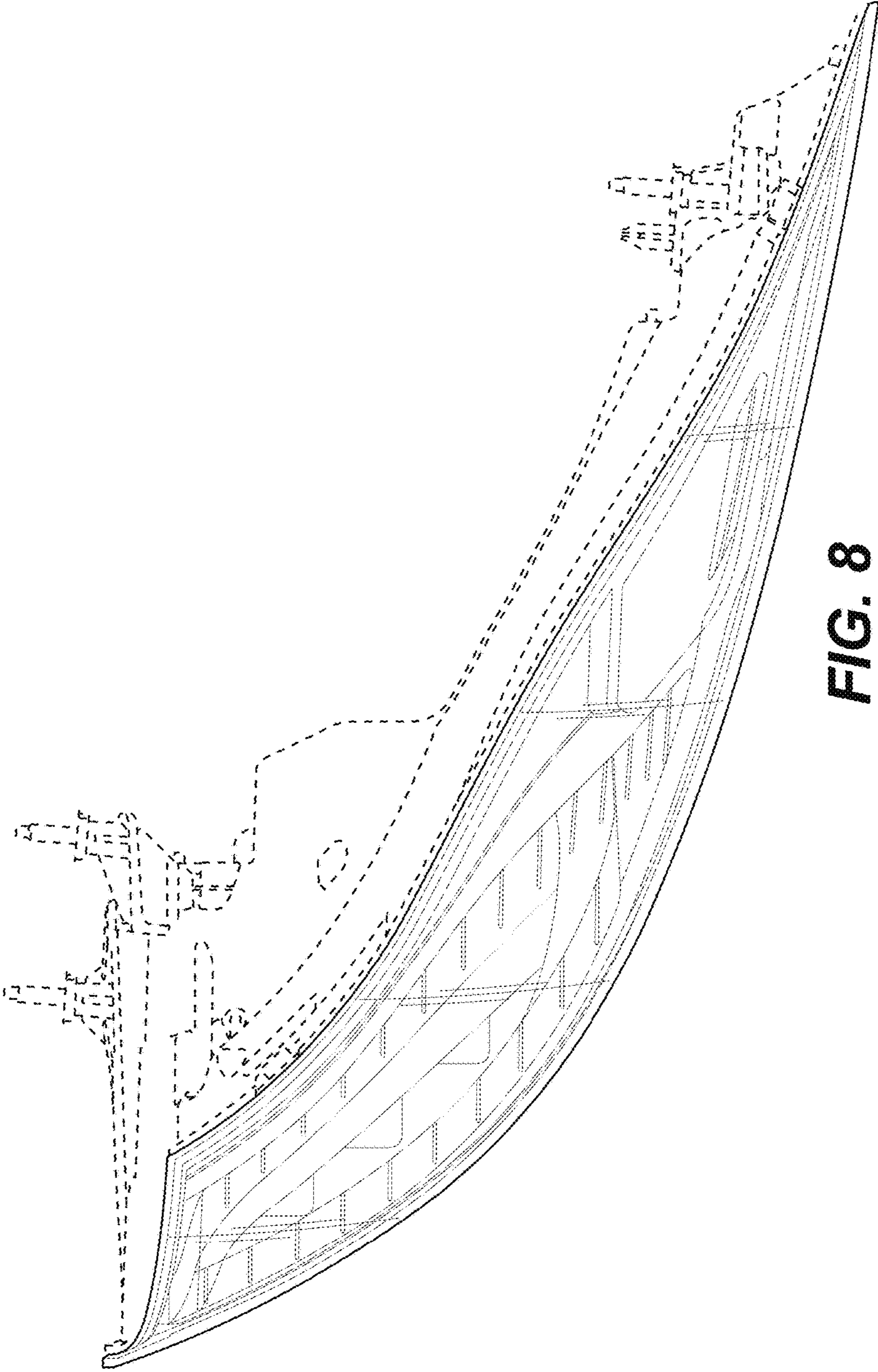


FIG. 8