



US00D837423S

(12) **United States Design Patent**  
**Wu**

(10) **Patent No.:** **US D837,423 S**  
(45) **Date of Patent:** **\*\* Jan. 1, 2019**

(54) **VEHICLE LIGHT**

(71) Applicant: **COPLUS INC.**, Tainan (TW)

(72) Inventor: **Po-Hua Wu**, Tainan (TW)

(73) Assignee: **Coplus Inc.**, Tainan (TW)

(\*\*) Term: **15 Years**

(21) Appl. No.: **29/596,632**

(22) Filed: **Mar. 9, 2017**

(30) **Foreign Application Priority Data**

Dec. 1, 2016 (TW) ..... 105307278

(51) **LOC (11) Cl.** ..... **26-07**

(52) **U.S. Cl.**  
USPC ..... **D26/28**

(58) **Field of Classification Search**

USPC ..... D26/28-36; 362/459-468, 475-478,  
362/485-487

CPC ..... F21S 48/00; F21S 48/10; F21S 48/115;  
F21S 48/225; F21S 48/1233; F21S  
48/1266; F21S 48/1388; F21S 48/2268;  
F21V 21/04

See application file for complete search history.

(56) **References Cited**

**U.S. PATENT DOCUMENTS**

D590,527 S \* 4/2009 Pfeiffer ..... D26/28  
D593,231 S \* 5/2009 Koman ..... D26/28

D607,588 S \* 1/2010 Woolley ..... D26/28  
D767,179 S \* 9/2016 Lai ..... D26/28  
D767,181 S \* 9/2016 Lai ..... D26/28  
D767,182 S \* 9/2016 Lai ..... D26/28  
D787,719 S \* 5/2017 Lai ..... D26/28  
D787,720 S \* 5/2017 Lai ..... D26/28  
D787,721 S \* 5/2017 Lai ..... D26/28  
D787,722 S \* 5/2017 Lai ..... D26/28  
D787,723 S \* 5/2017 Wu ..... D26/28

\* cited by examiner

*Primary Examiner* — Angela J Lee

(74) *Attorney, Agent, or Firm* — Lewis Roca Rothgerber  
Christie LLP

(57) **CLAIM**

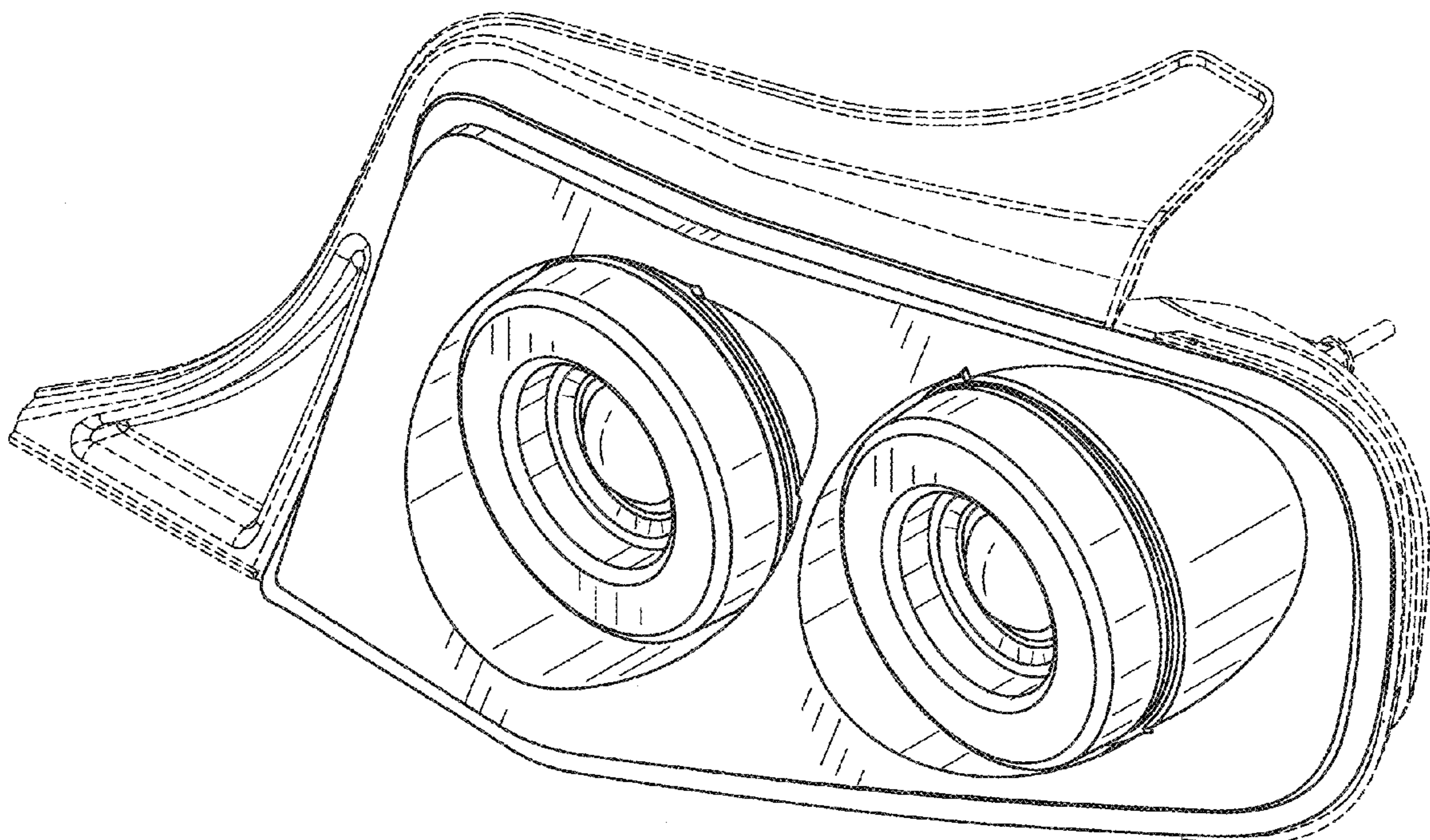
The ornamental design for a vehicle light, as shown and  
described.

**DESCRIPTION**

FIG. 1 is a perspective view of the vehicle light;  
FIG. 2 is a front view thereof;  
FIG. 3 is a rear view thereof;  
FIG. 4 is a left side view thereof;  
FIG. 5 is a right side view thereof;  
FIG. 6 is a top view thereof; and,  
FIG. 7 is a bottom view thereof.

The broken lines in the drawings are for illustrative purpose  
only and form no part of the claimed design.

**1 Claim, 6 Drawing Sheets**



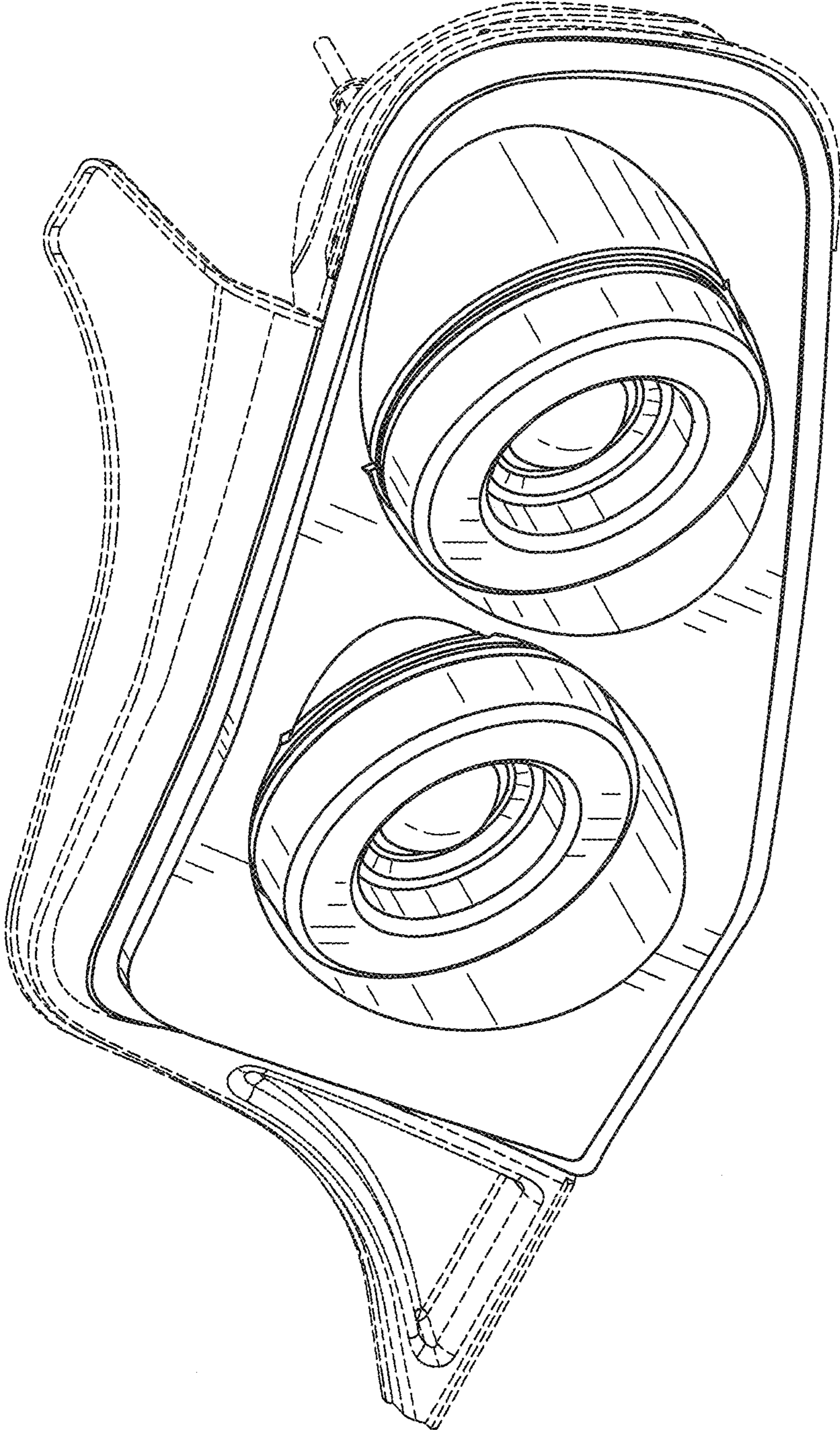


FIG. 1

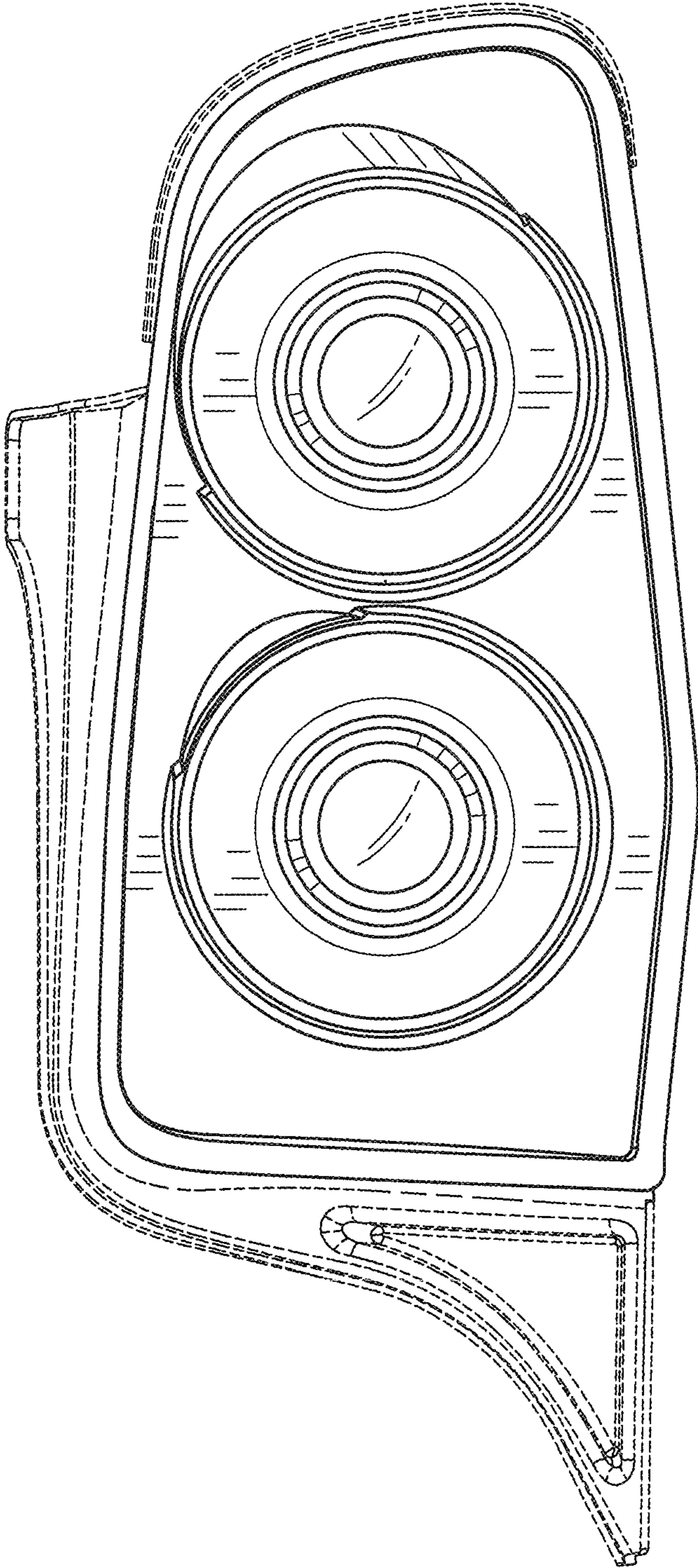


FIG. 2

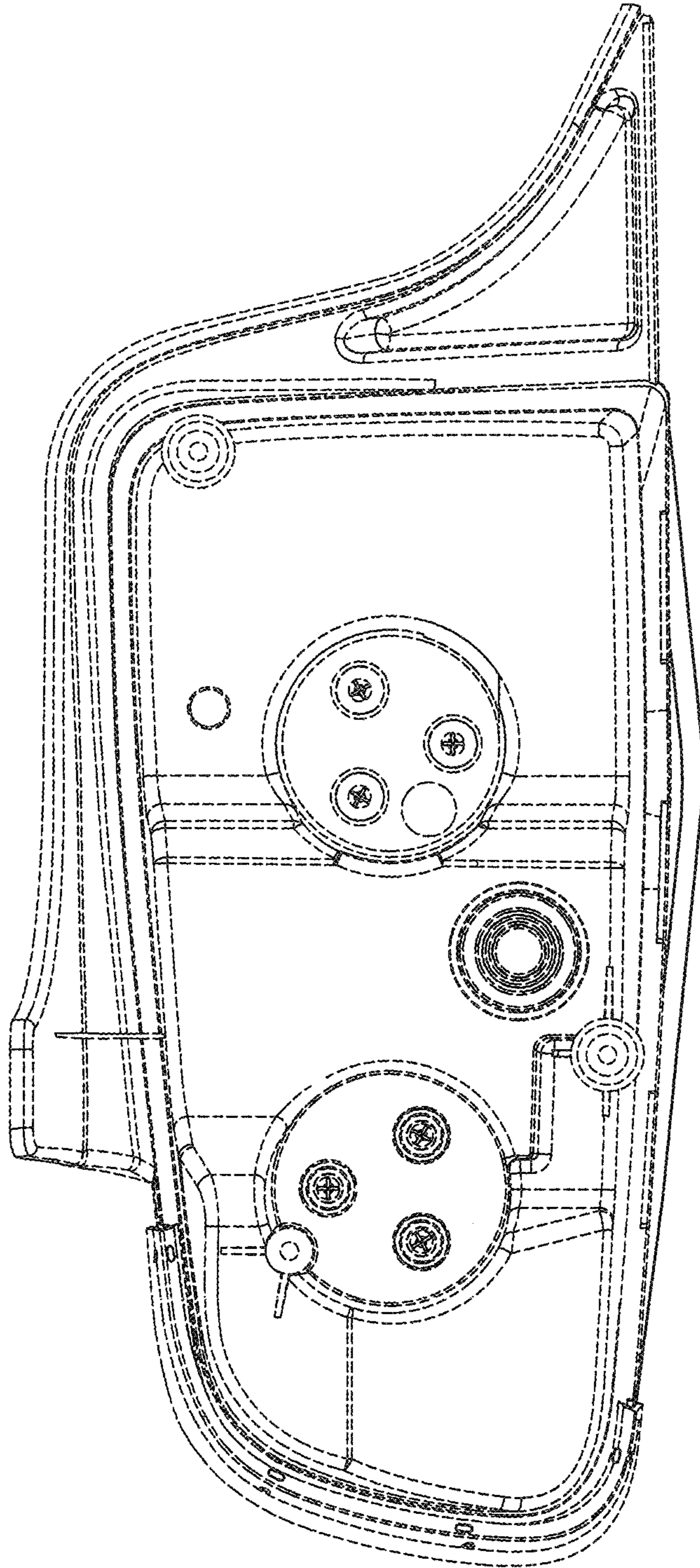


FIG. 3

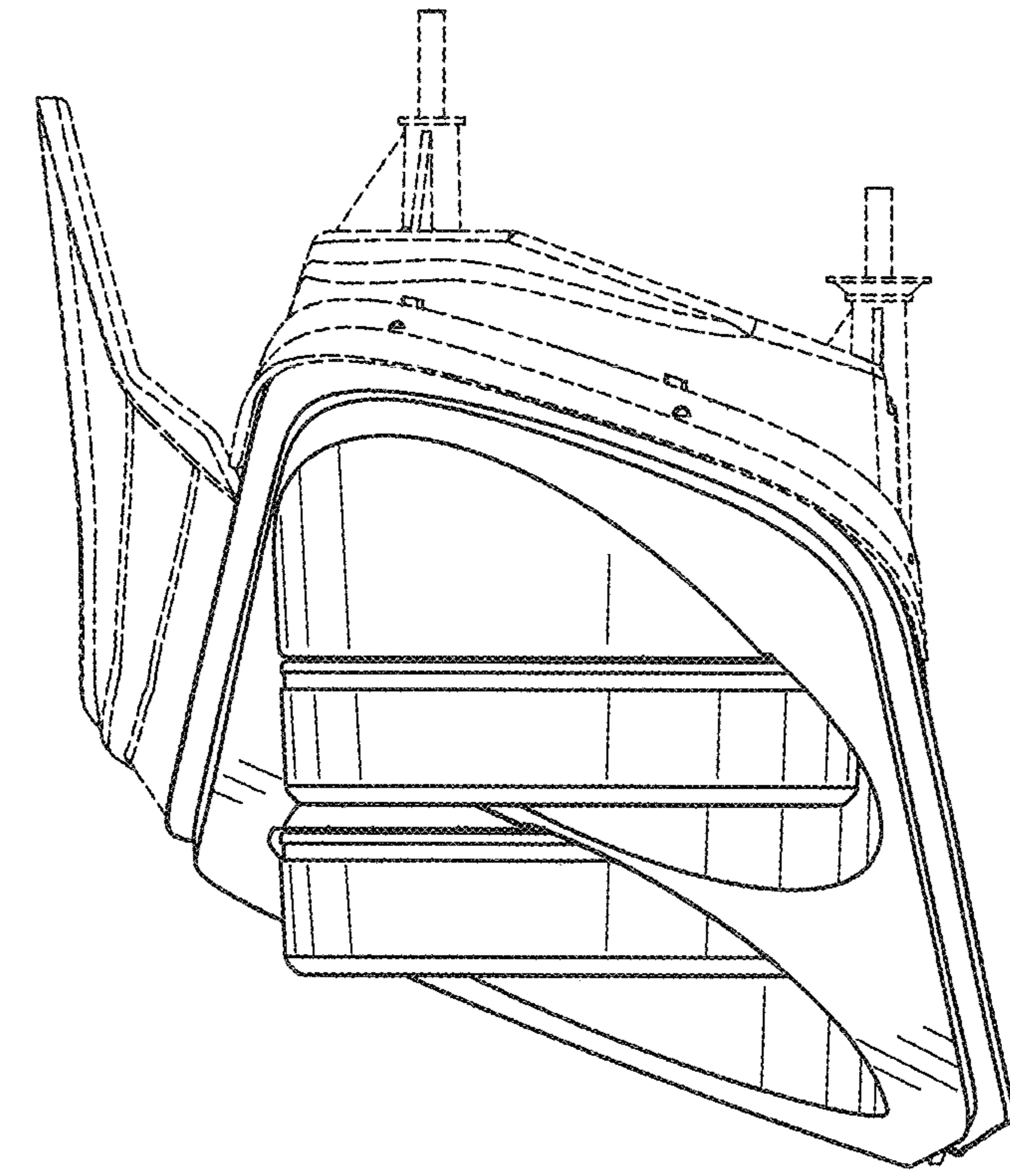


FIG. 5

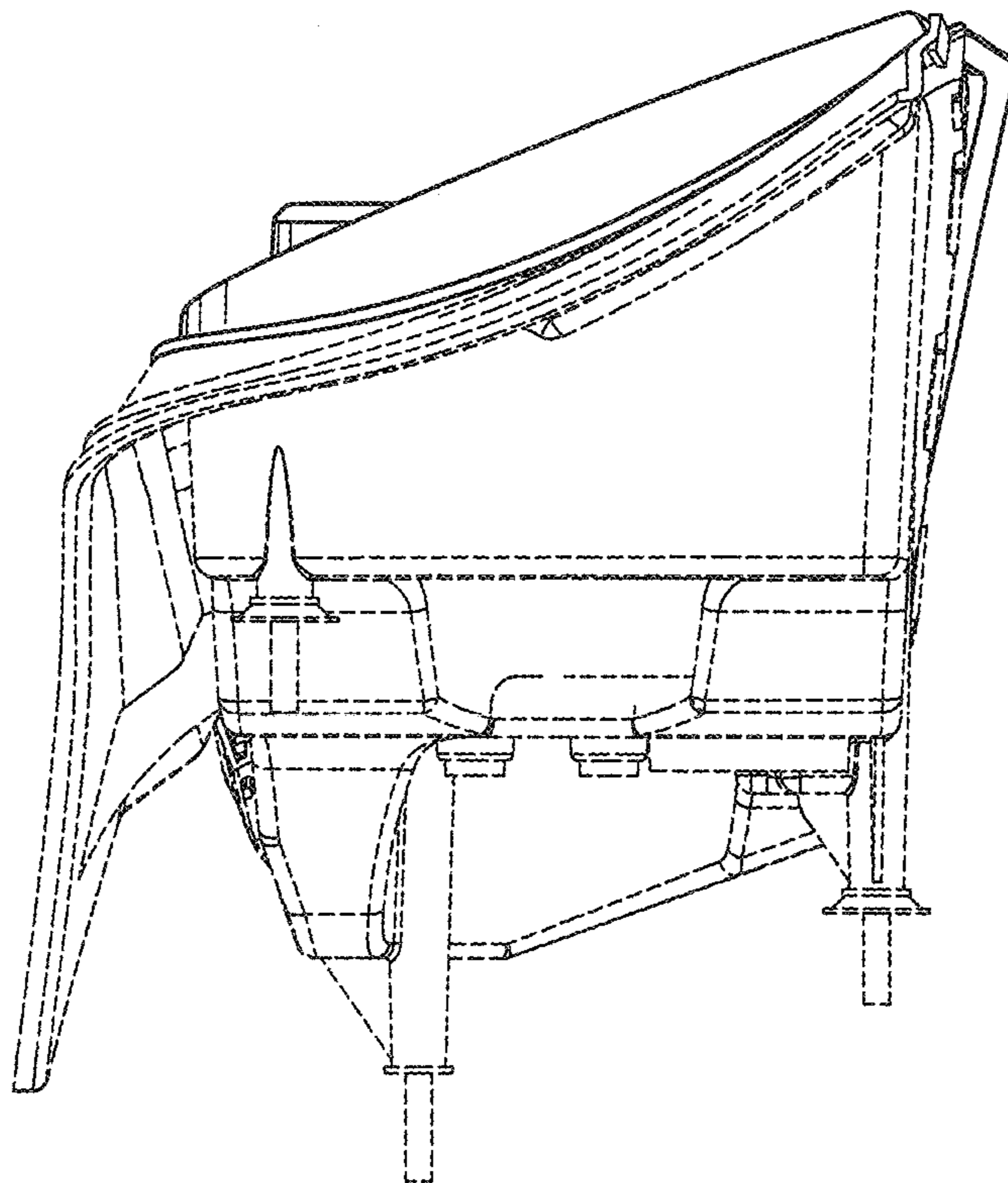


FIG. 4

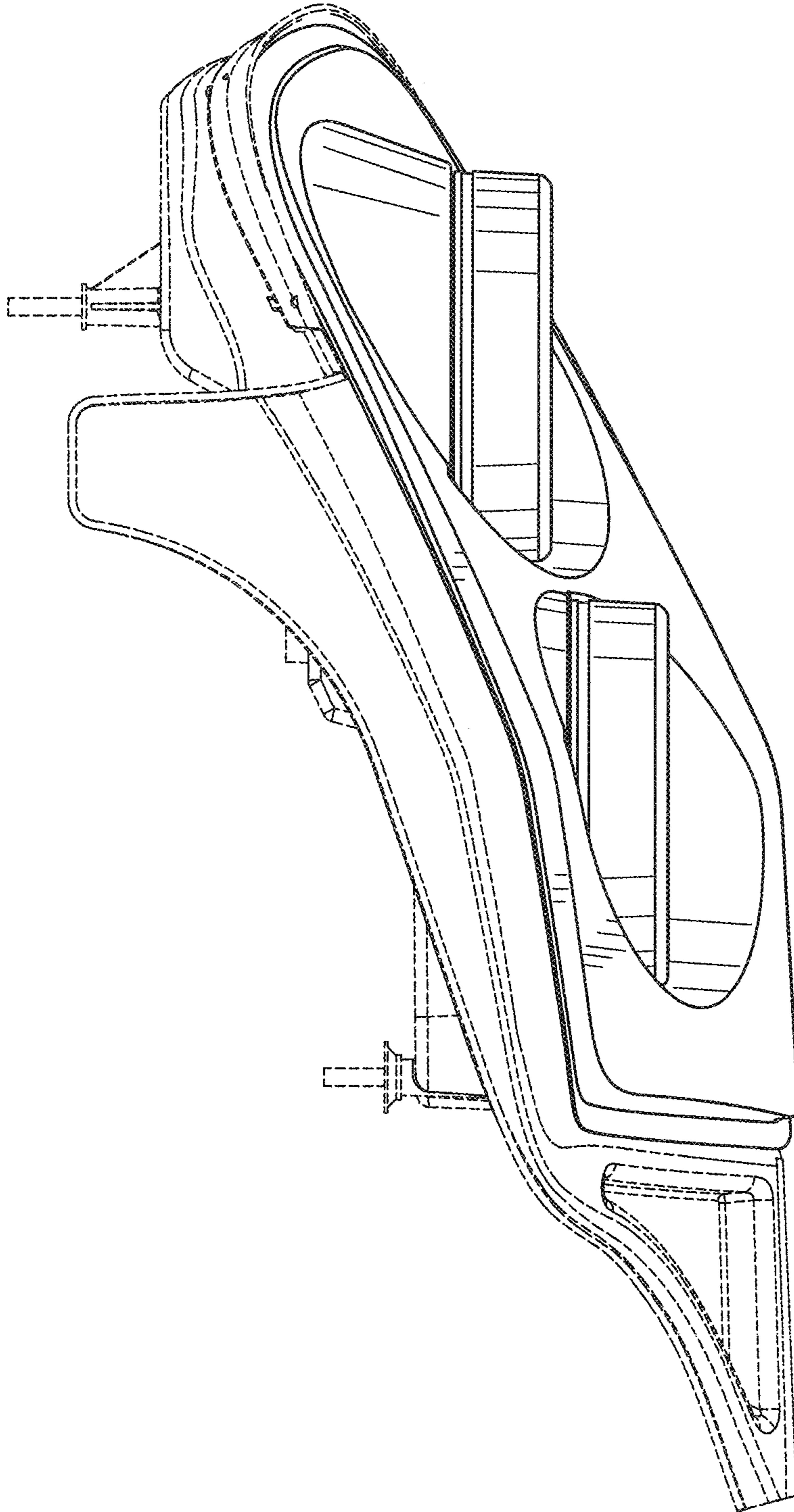


FIG. 6

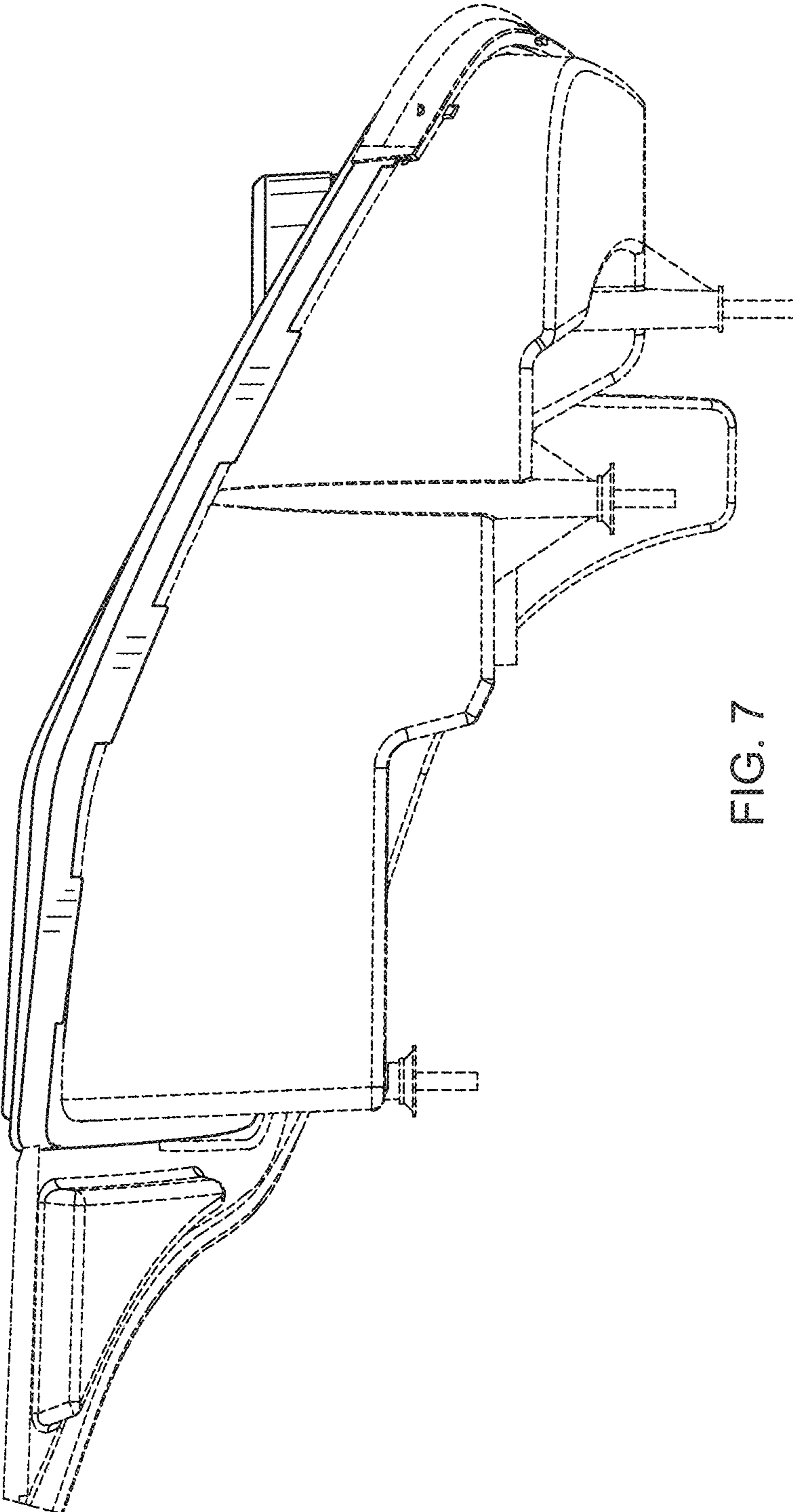


FIG. 7