



US00D837420S

(12) **United States Design Patent** (10) **Patent No.:** **US D837,420 S**
Trice et al. (45) **Date of Patent:** **** *Jan. 1, 2019**

(54) **LED LIGHT BULB FILAMENT**

(71) Applicant: **Jasco Products Company LLC**,
Oklahoma City, OK (US)

(72) Inventors: **Douglas Cameron Trice**, Oklahoma
City, OK (US); **Jay Beckman**, Edmond,
OK (US); **Chris Bednarz**, Edmond, OK
(US); **Alisha Kesler**, Edmond, OK (US)

(73) Assignee: **Jasco Products Company LLC**,
Oklahoma City, OK (US)

(*) Notice: This patent is subject to a terminal dis-
claimer.

(**) Term: **15 Years**

(21) Appl. No.: **29/605,796**

(22) Filed: **May 30, 2017**

(51) **LOC (11) Cl.** **26-04**

(52) **U.S. Cl.**
USPC **D26/2**

(58) **Field of Classification Search**
USPC D26/1-4; 313/313, 315, 316, 317, 318,
313/493; 315/52, 53, 56, 57, 58
CPC H01R 5/00; H01R 13/46; H01R 13/514;
H01R 31/048; H01R 31/02; H01J 5/00;
H01J 5/16; H01J 15/00; H01J 5/48; H01J
5/50; H01J 19/54; F21V 5/00
See application file for complete search history.

(56) **References Cited**

U.S. PATENT DOCUMENTS

D422,099 S *	3/2000	Kracke	D26/2
D549,360 S *	8/2007	An	D26/2
D550,864 S *	9/2007	Hernandez, Jr.	D26/2
D664,683 S *	7/2012	Matsuda	D26/2
D671,663 S *	11/2012	Matsuda	D26/2

* cited by examiner

Primary Examiner — Marcus Jackson
(74) *Attorney, Agent, or Firm* — Bruce LaBrie;
Resolution Legal Group

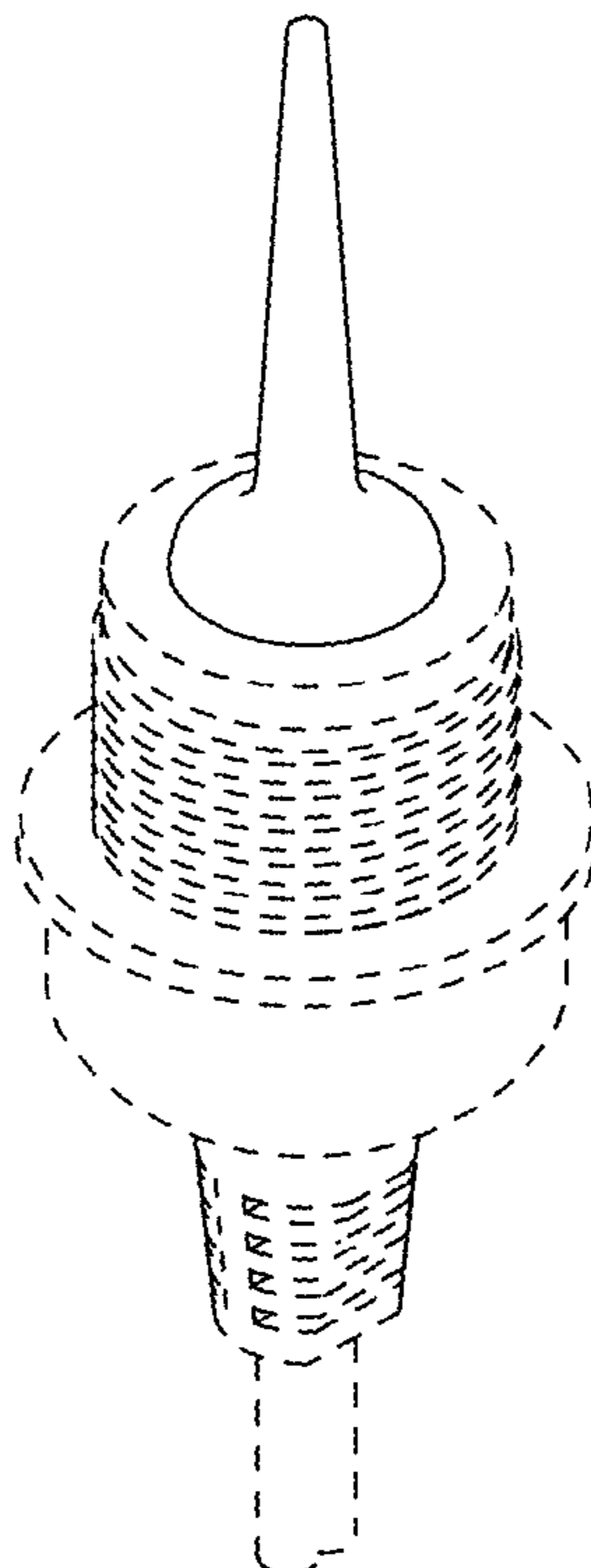
(57) **CLAIM**

The ornamental design for an LED light bulb filament, as
shown and described.

DESCRIPTION

FIG. 1 is an exploded view of an LED light bulb filament
showing our new design;
FIG. 2 is a front elevational view thereof;
FIG. 3 is a perspective view thereof;
FIG. 4 is a top plan view thereof;
FIG. 5 is a left side elevational view thereof;
FIG. 6 is a right side elevational view thereof; and,
FIG. 7 is a rear elevational view thereof.
The structural features depicted by broken lines have been
shown for the purpose of illustrating portions of the light that
form no part of the claimed design.

1 Claim, 2 Drawing Sheets



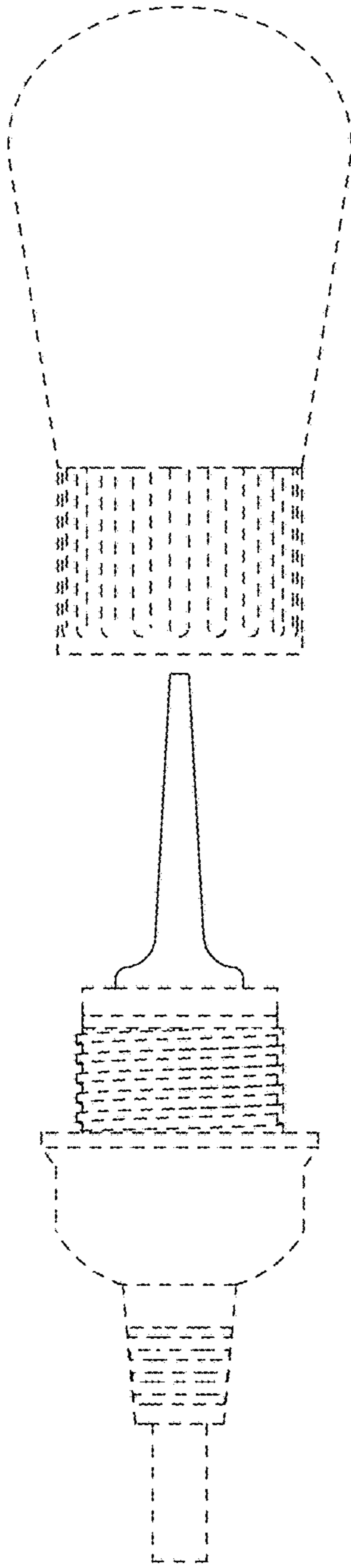


FIG. 1

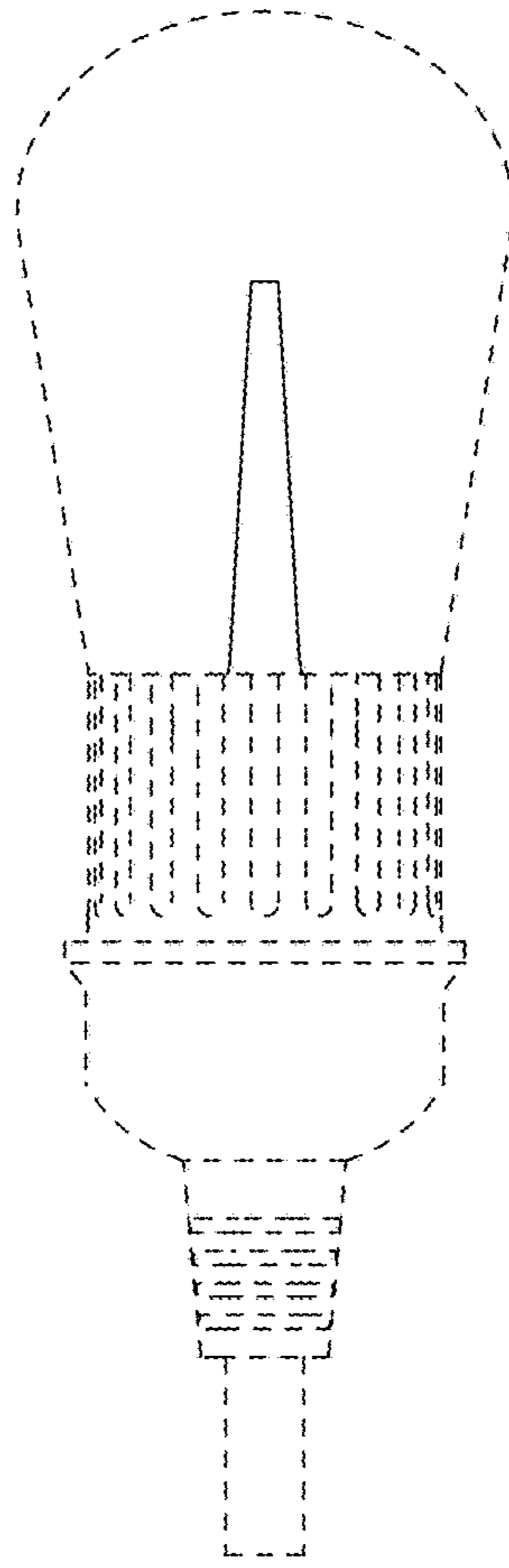


FIG. 2

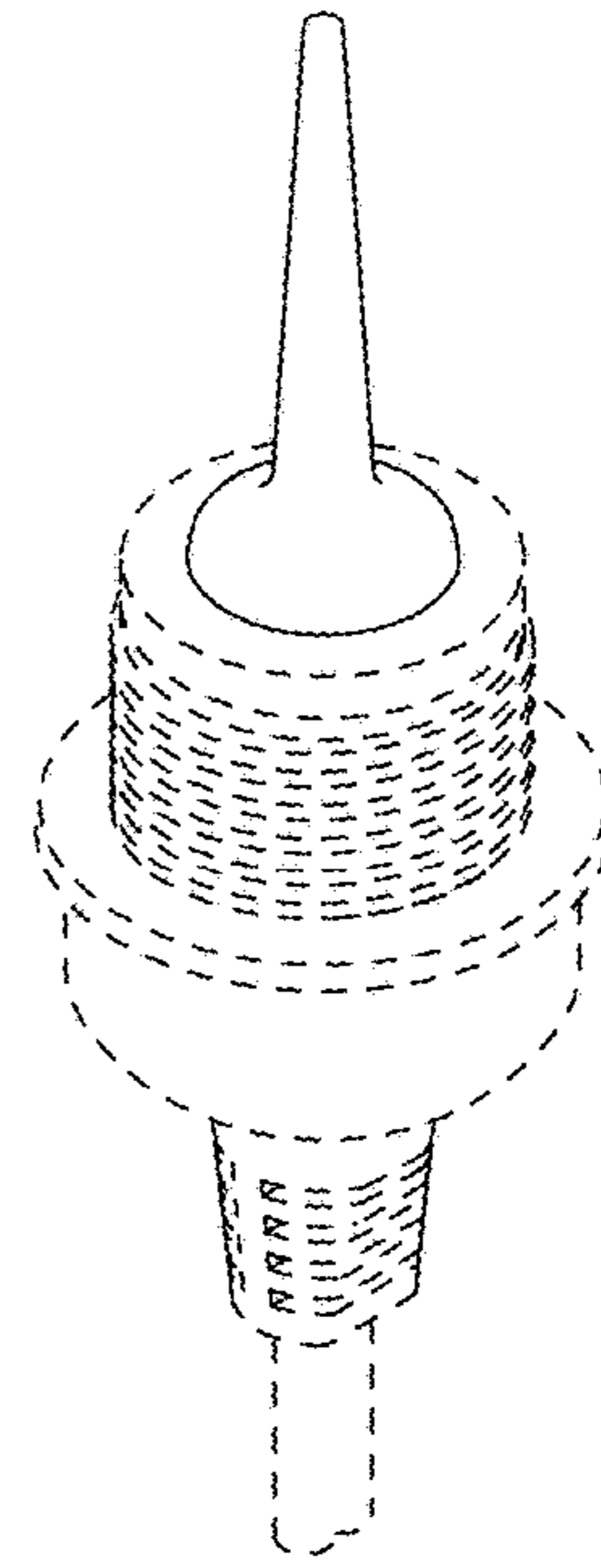


FIG. 3

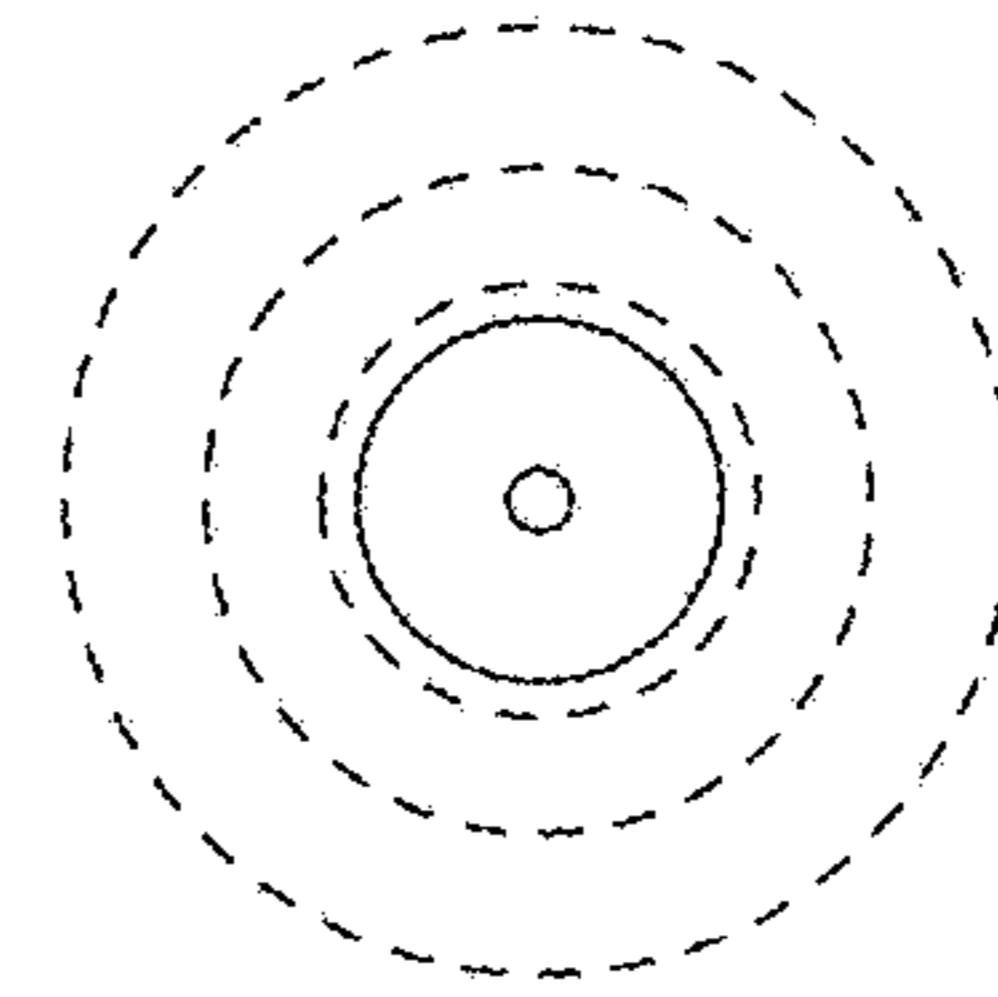


FIG. 4

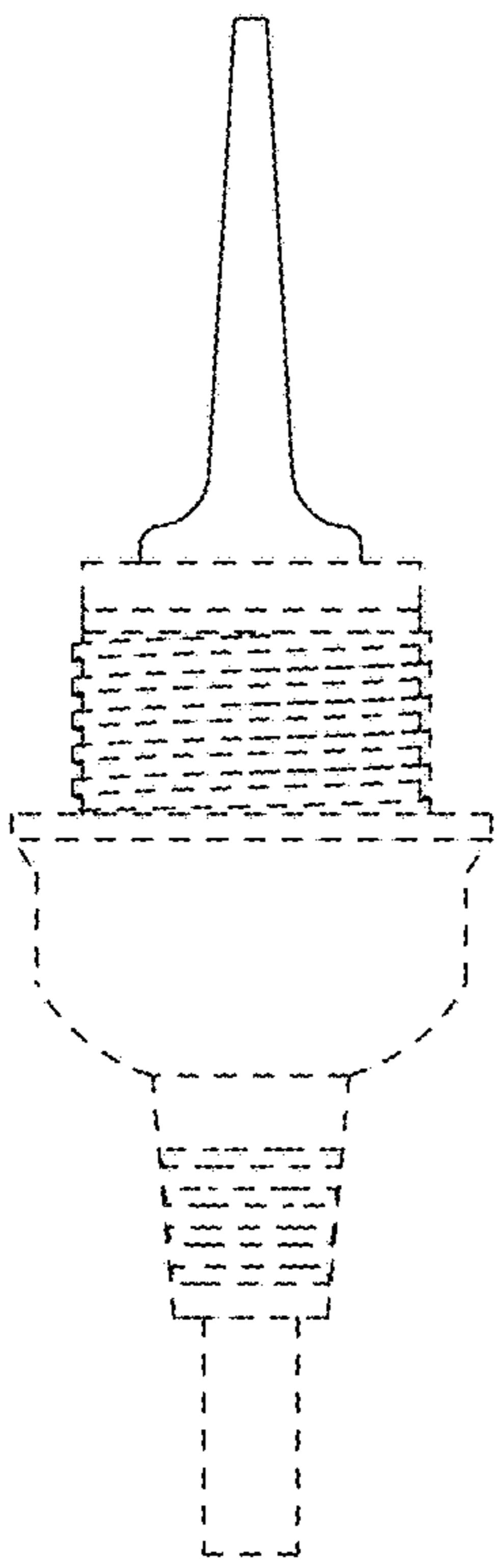


FIG. 5

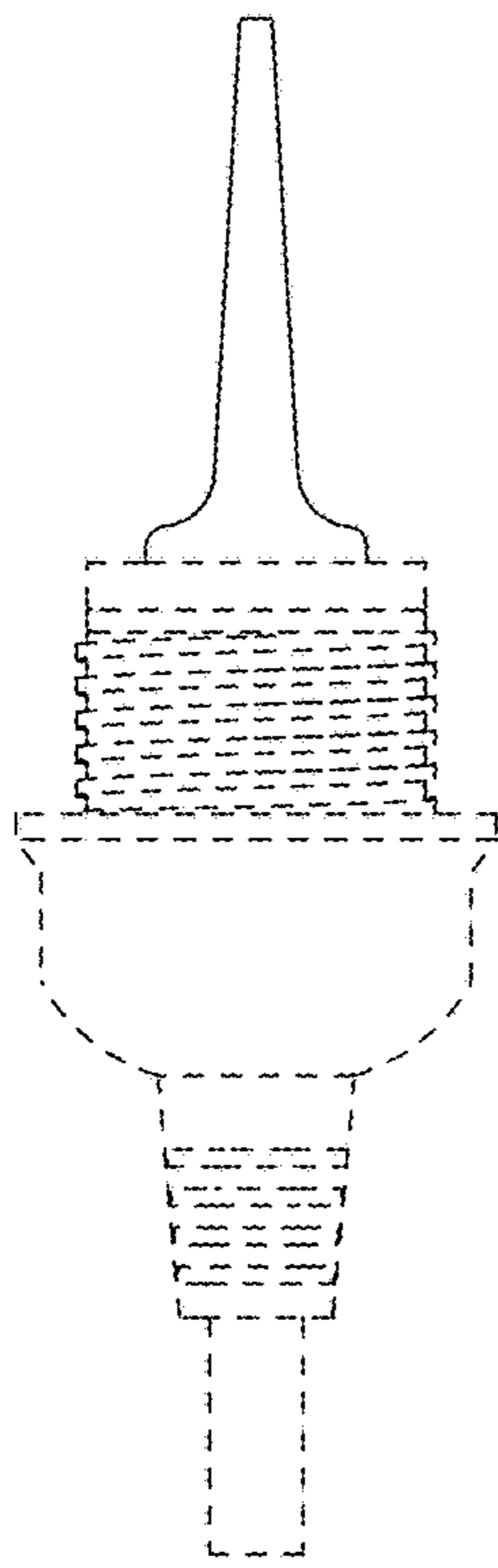


FIG. 6

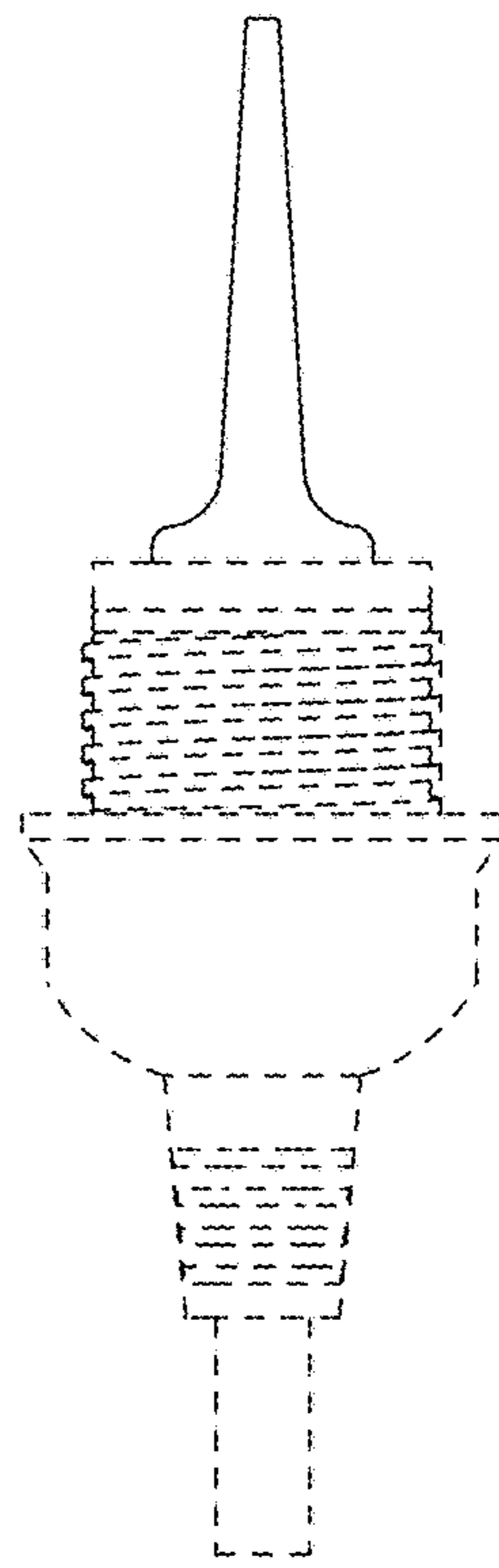


FIG. 7