



US00D837417S

(12) **United States Design Patent**
Britton

(10) **Patent No.:** **US D837,417 S**
(45) **Date of Patent:** **** *Jan. 1, 2019**

(54) **STRUCTURAL BUILDING PANEL**

(71) Applicant: **Rex Britton**, Prescott, AZ (US)

(72) Inventor: **Rex Britton**, Prescott, AZ (US)

(*) Notice: This patent is subject to a terminal disclaimer.

(**) Term: **15 Years**

(21) Appl. No.: **29/620,969**

(22) Filed: **Sep. 14, 2017**

Related U.S. Application Data

(63) Continuation-in-part of application No. 29/463,931, filed on Apr. 9, 2014, now Pat. No. Des. 722,395, and a continuation-in-part of application No. 29/474,102, filed on May 30, 2014, now Pat. No. Des. 723,191, and a continuation-in-part of application No. 29/474,696, filed on Jan. 2, 2015, now Pat. No. Des. 739,960, and a continuation-in-part of application No. 29/505,814, filed on Feb. 19, 2016, now Pat. No. Des. 787,094.

(51) **LOC (11) Cl.** **25-01**

(52) **U.S. Cl.**
USPC **D25/138**

(58) **Field of Classification Search**
USPC D25/138, 139, 140, 141, 144, 148, 157,
D25/158, 163, 164, 58, 59, 103, 113,
D25/118; 52/64, 235, 238.1, 239, 243.1,
52/415, 434, 792.1, 792.11, 793.1, 794.1,
52/309.7

CPC E04C 2/292; E04C 2/296; E04C 2/365;
E04C 2/38; E04C 2/284

See application file for complete search history.

(56) **References Cited**

U.S. PATENT DOCUMENTS

3,488,904 A * 1/1970 Dawdy E04B 2/7401
428/457
4,015,386 A * 4/1977 Cook E04B 1/942
260/DIG. 24

D360,700 S * 7/1995 Myers D25/138
D373,836 S * 9/1996 Bado D25/138
5,758,463 A * 6/1998 Mancini, Jr. E04C 2/384
52/309.12
5,813,180 A * 9/1998 Whitney E04B 1/8218
52/265
6,044,603 A * 4/2000 Bader E04C 2/384
52/309.16

(Continued)

Primary Examiner — Katie Jane Stofko
Assistant Examiner — Kimberly Barnes

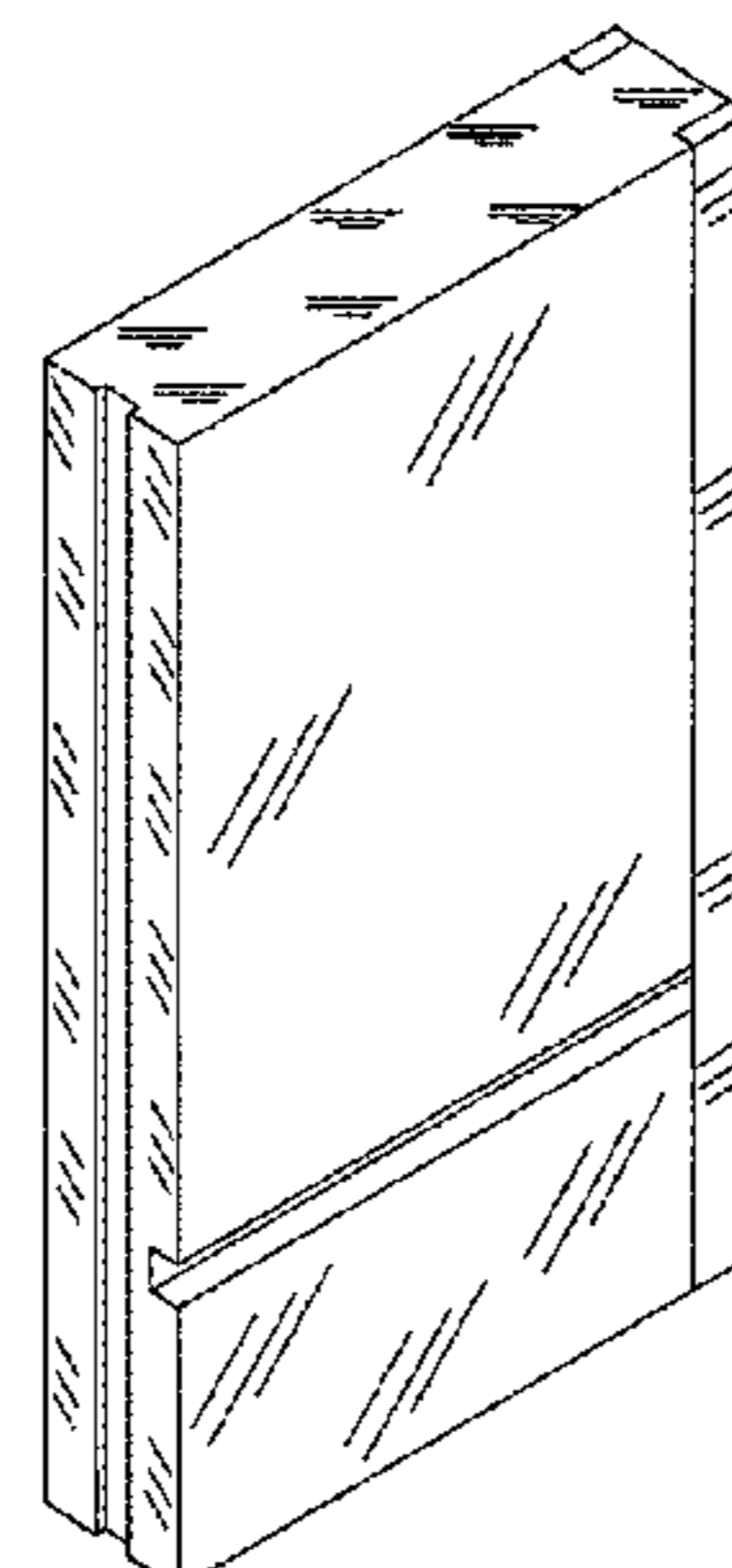
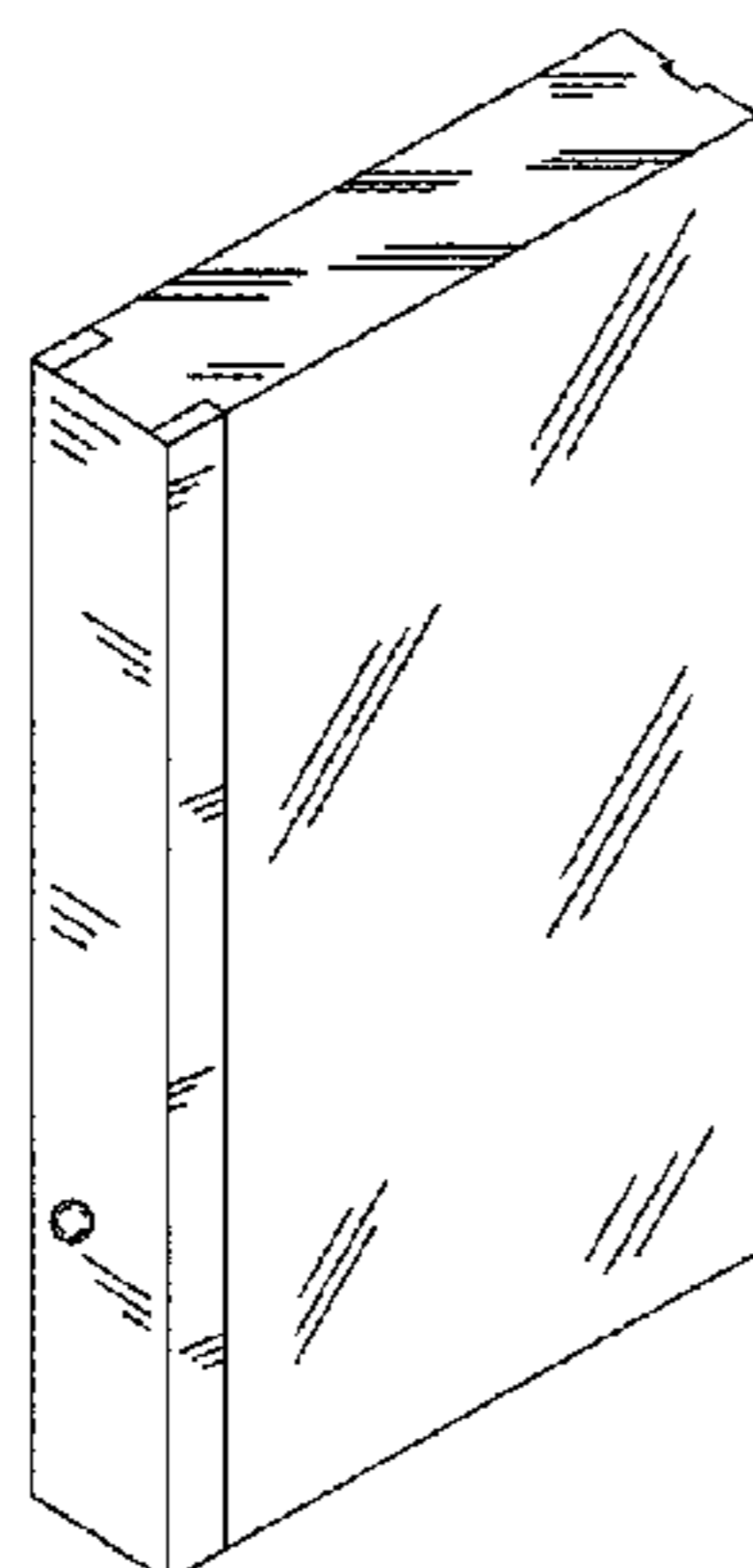
(57) **CLAIM**

The ornamental design for a structural building panel, as shown and described.

DESCRIPTION

FIG. 1 is a perspective view showing my new design for a structural building panel from the front, top, and right side; FIG. 2 is a perspective view showing the design from the front, top and left side; FIG. 3 is a perspective view showing the design from the rear, top and left side; FIG. 4 is another perspective view of the design showing the design from the top, rear and left side; FIG. 5 is a perspective view showing the design from the bottom, rear and left side; FIG. 6 is a front elevational view thereof; FIG. 7 is a rear elevational view thereof; FIG. 8 is a right-side elevational view thereof; FIG. 9 is a left-side elevational view thereof; FIG. 10 is a top plan view thereof; and, FIG. 11 is a bottom plan view thereof. The broken lines in the drawings depict portions of the structural building panel that form no part of the claimed design.

1 Claim, 9 Drawing Sheets



(56)

References Cited

U.S. PATENT DOCUMENTS

6,058,671 A * 5/2000 Strickland E04B 1/6137
411/539
6,061,995 A * 5/2000 Menchetti E04B 2/7411
52/481.1
6,363,674 B1 * 4/2002 Carver E04B 1/14
52/270
7,540,119 B2 * 6/2009 Milburn E06B 3/5427
52/235
D711,012 S * 8/2014 Jorge D25/58
D722,395 S * 2/2015 Britton D25/138
D723,191 S * 2/2015 Britton D25/138
9,010,054 B2 * 4/2015 Herdt B29C 44/1214
52/220.2
9,151,053 B2 * 10/2015 Stephens, Jr. E04C 2/52
D803,418 S * 11/2017 Annibale D25/58
2006/0117689 A1 * 6/2006 Onken E04C 2/22
52/309.7
2009/0255213 A1 * 10/2009 Schwartau B29C 63/0034
52/794.1
2016/0208489 A1 * 7/2016 Gibson E04C 2/284

* cited by examiner

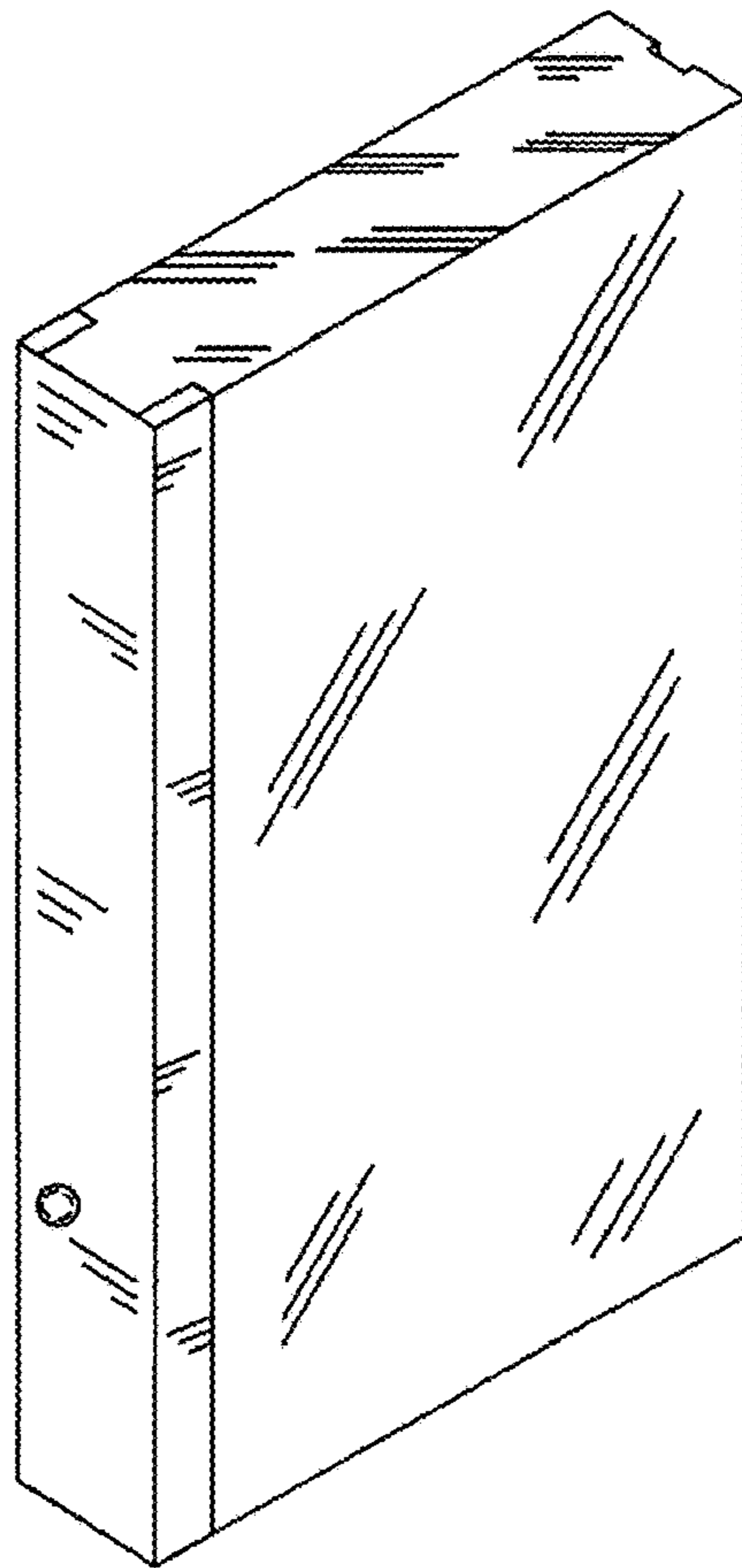


FIG. 1

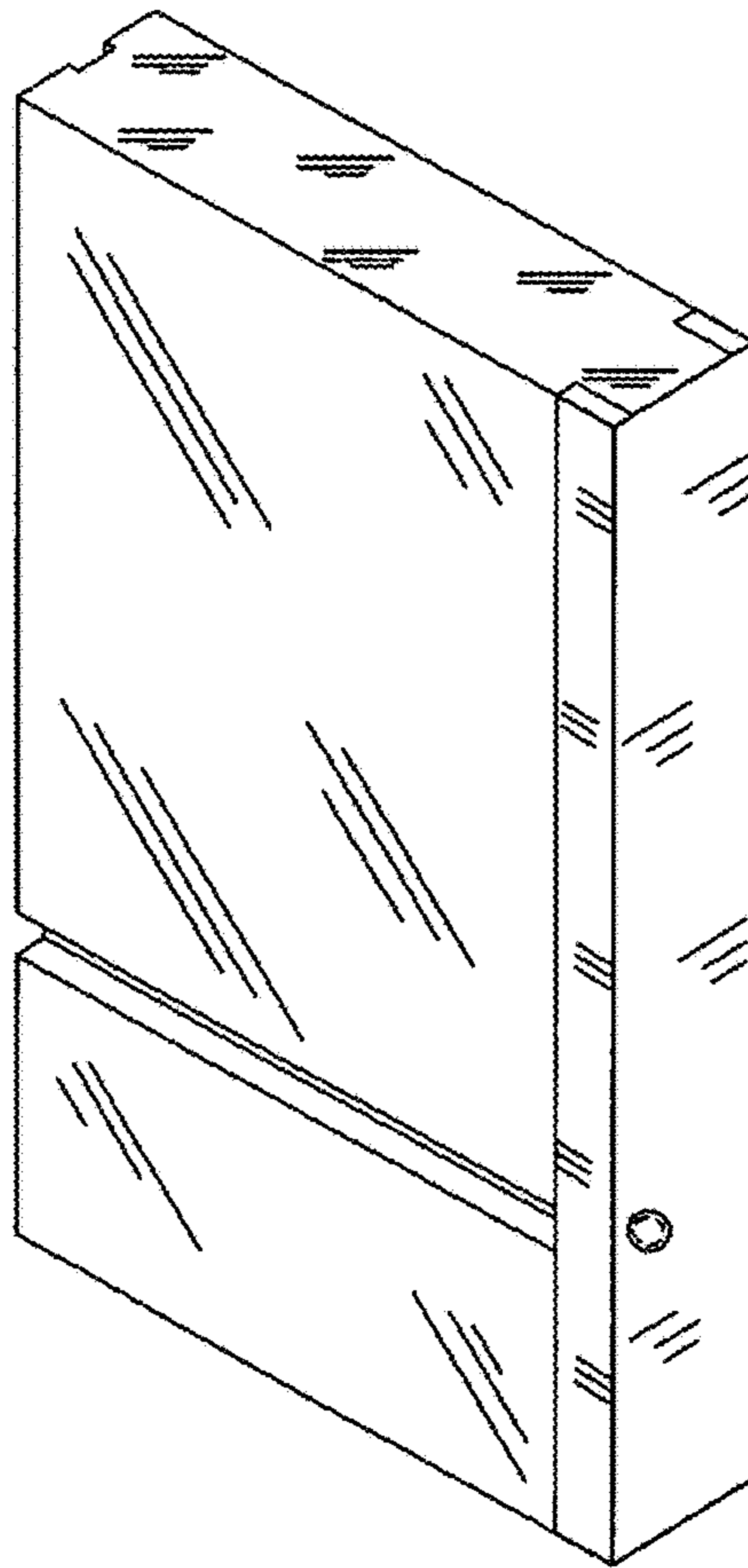


FIG. 2

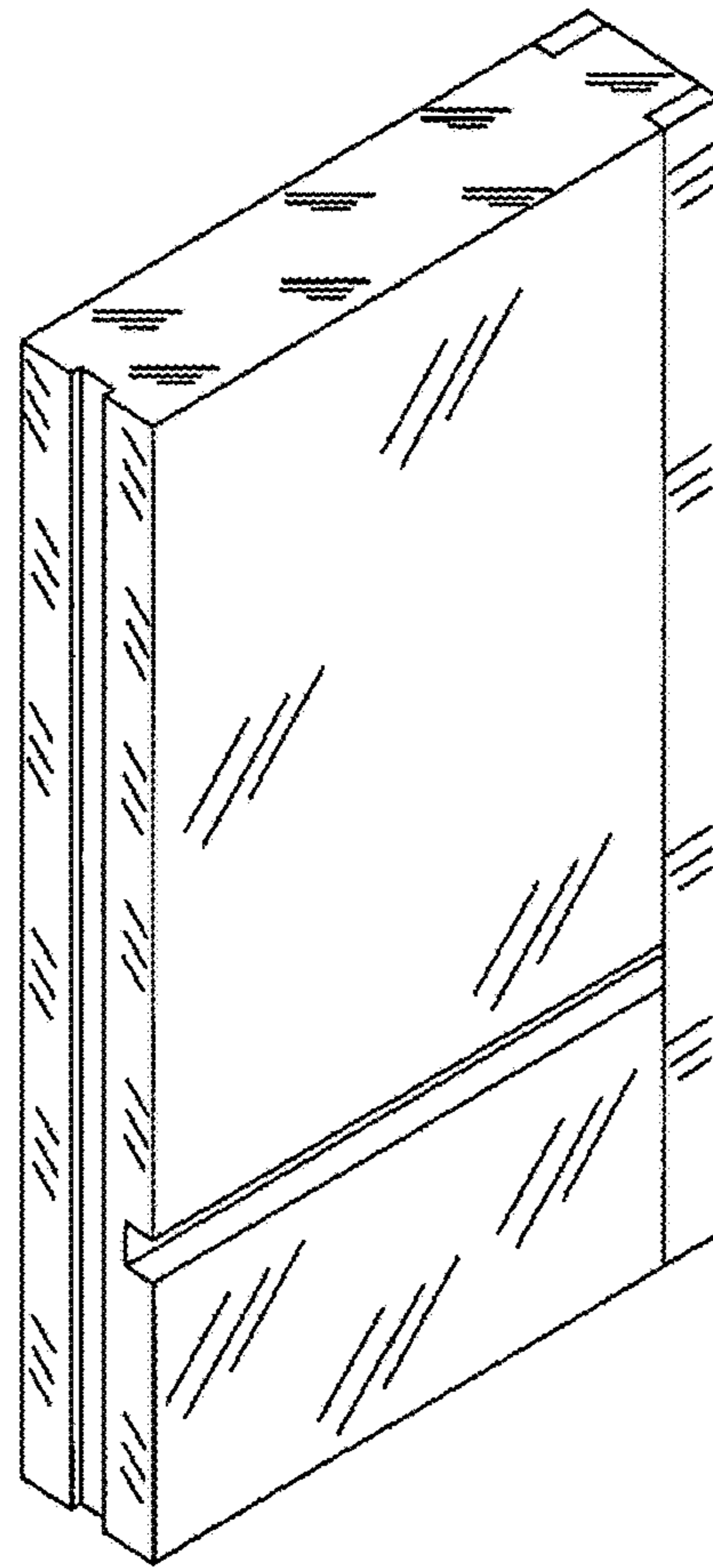


FIG. 3

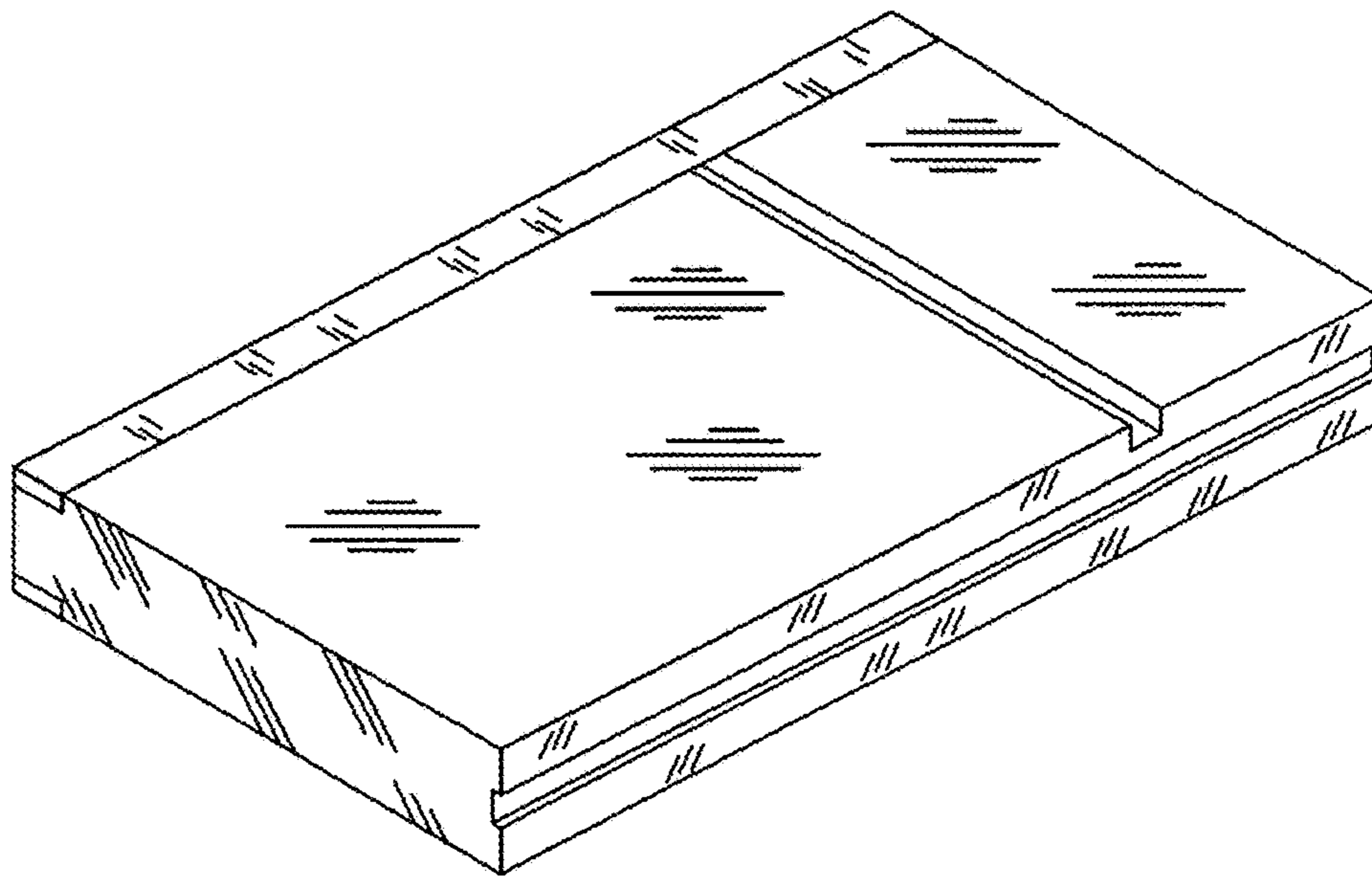


FIG. 4

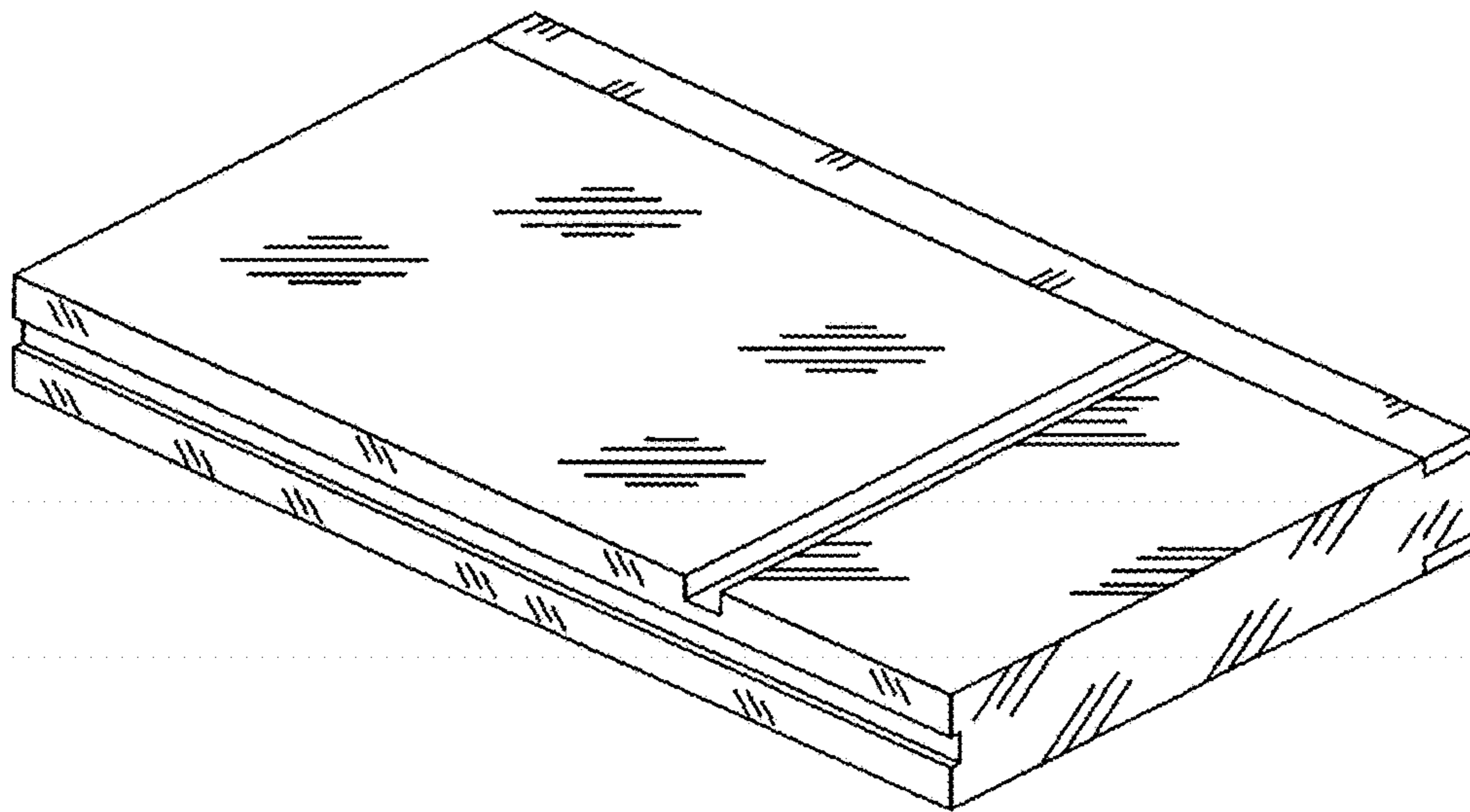


FIG. 5

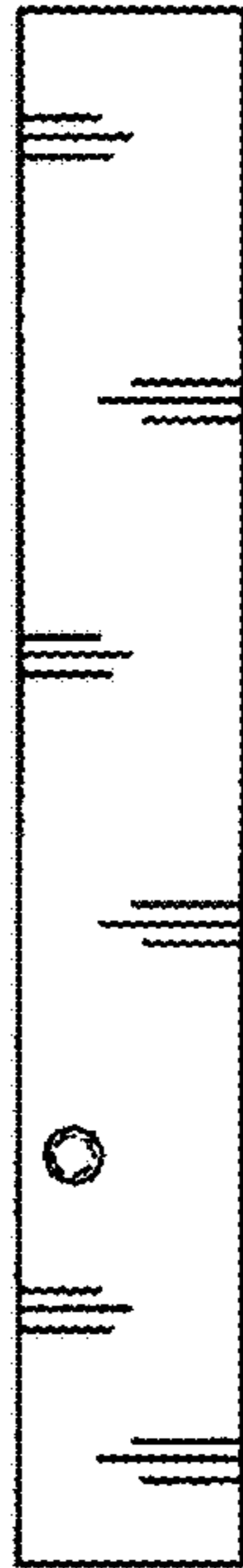


FIG. 6



FIG. 7

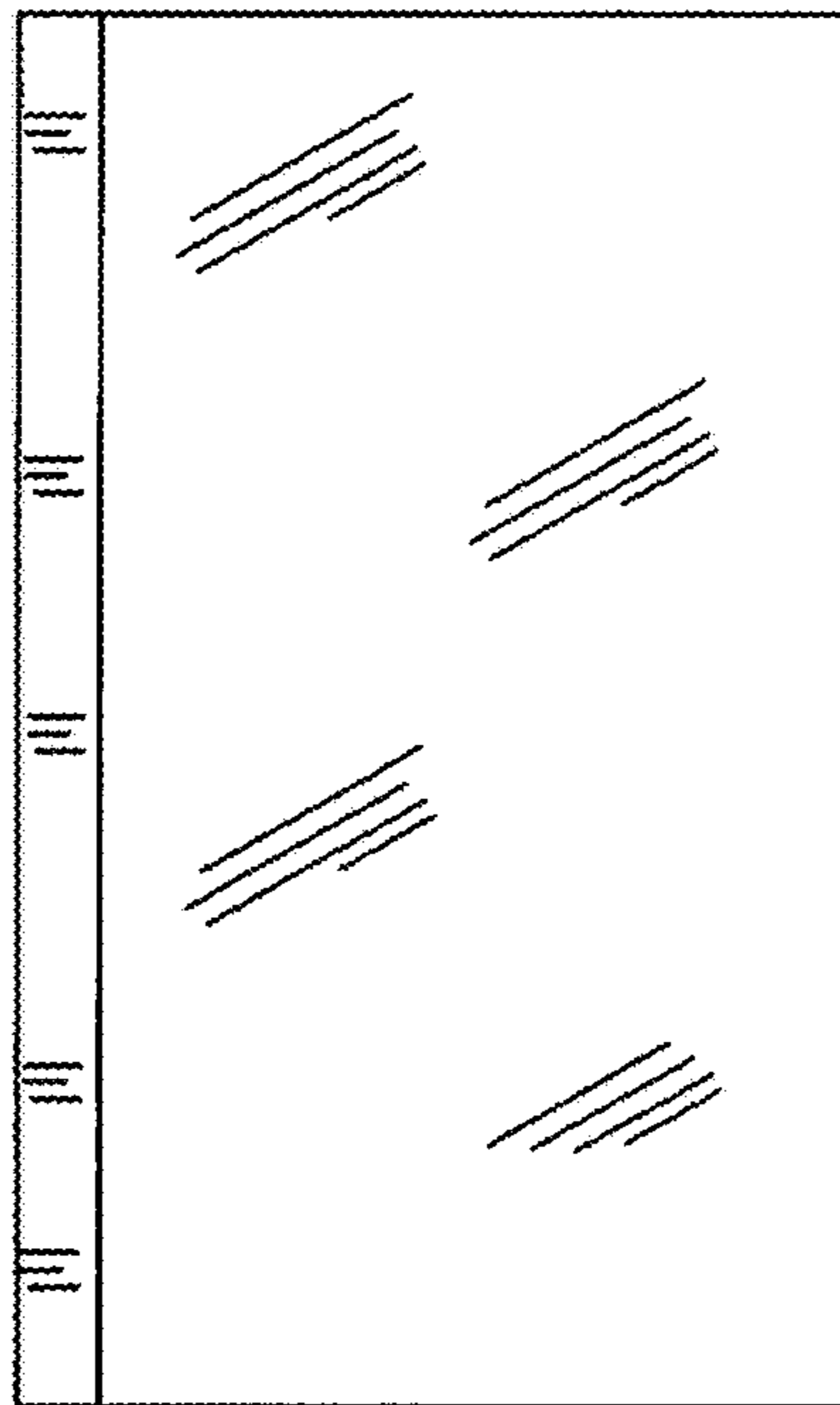


FIG. 8

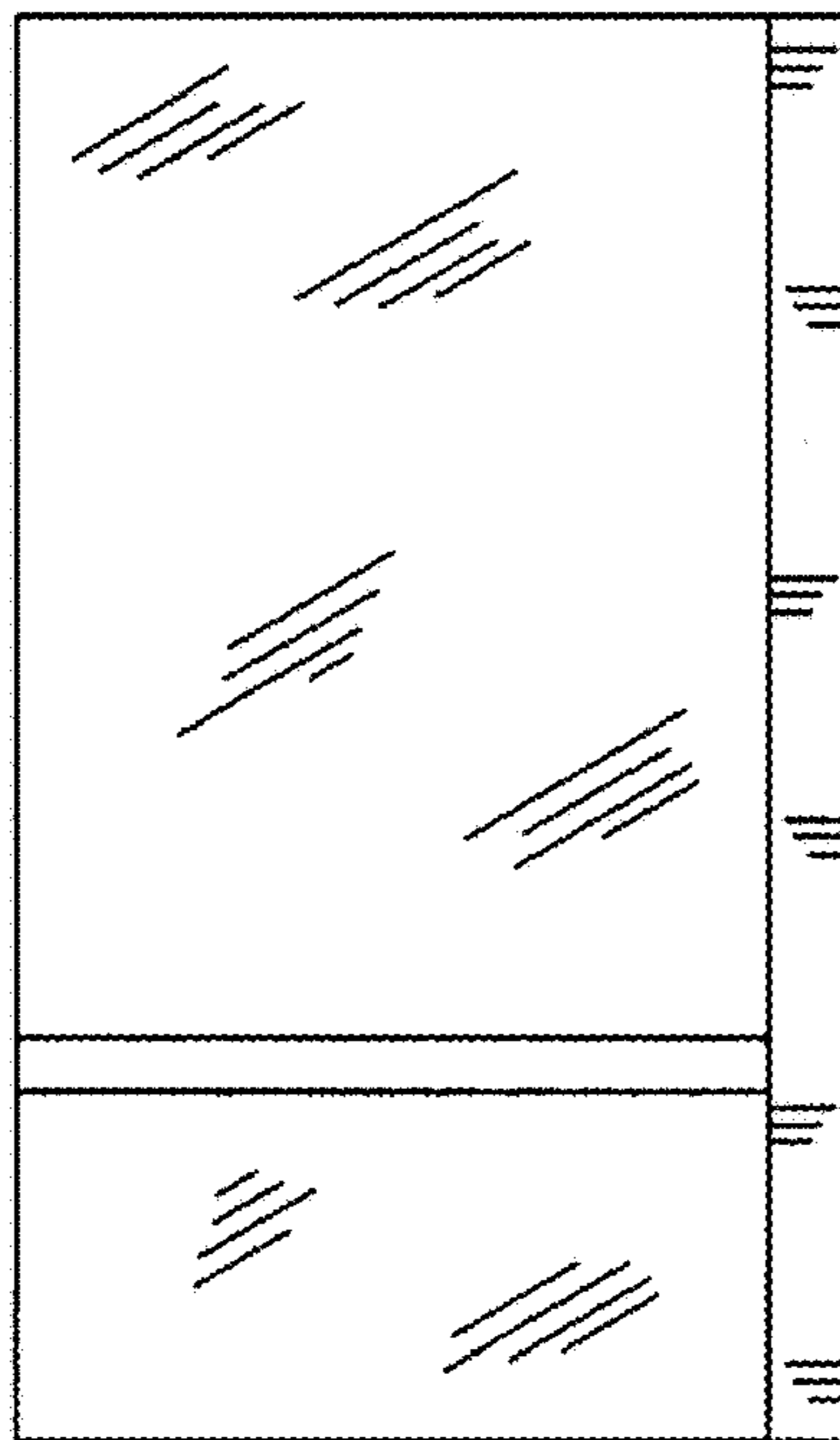


FIG. 9



FIG. 10



FIG. 11