

US00D837412S

(12) **United States Design Patent**  
**Ishibashi et al.**

(10) **Patent No.:** **US D837,412 S**  
(45) **Date of Patent:** **\*\* Jan. 1, 2019**

(54) **VACUUM-INSULATED GLASS PLATE**

E06B 3/6715; E06B 3/67334; E06B 3/6775

See application file for complete search history.

(71) Applicant: **Panasonic Intellectual Property Management Co., Ltd.**, Osaka-shi, Osaka (JP)

(56) **References Cited**

U.S. PATENT DOCUMENTS

3,960,534 A \* 6/1976 Oates ..... G02F 1/1339 65/43  
4,683,154 A \* 7/1987 Benson ..... C03B 23/245 428/34  
4,971,130 A \* 11/1990 Bentley ..... E06B 3/285 160/127  
5,270,091 A \* 12/1993 Krysiak ..... C08L 23/22 428/162

(Continued)

*Primary Examiner* — Cynthia R Underwood

(74) *Attorney, Agent, or Firm* — Brinks Gilson & Lione

(72) Inventors: **Tasuku Ishibashi**, Osaka (JP); **Eiichi Uriu**, Osaka (JP); **Kenji Hasegawa**, Osaka (JP); **Kazuya Hasegawa**, Osaka (JP); **Masataka Nonaka**, Osaka (JP); **Hiroyuki Abe**, Osaka (JP)

(57) **CLAIM**

We claim the ornamental design for a vacuum-insulated glass plate, as shown and described.

(73) Assignee: **PANASONIC INTELLECTUAL PROPERTY MANAGEMENT CO., LTD.**, Osaka (JP)

**DESCRIPTION**

(\*\*) Term: **15 Years**

(21) Appl. No.: **29/611,181**

(22) Filed: **Jul. 19, 2017**

(30) **Foreign Application Priority Data**

Jan. 20, 2017 (JP) ..... 2017-000861

Jan. 20, 2017 (JP) ..... 2017-000862

(51) **LOC (11) Cl.** ..... **25-01**

(52) **U.S. Cl.**  
USPC ..... **D25/103**

(58) **Field of Classification Search**  
USPC ..... 428/34; D25/48.7, 48.1, 103  
CPC ... C03C 27/10; E06B 3/6612; E06B 3/66304;

FIG. 1 is a front view of a vacuum-insulated glass plate according to the first embodiment of the present invention, the rear view being a mirror image thereof;  
FIG. 2 is a left side view thereof, the right side view being a mirror image thereof;  
FIG. 3 is a top view thereof, the bottom view being a mirror image thereof;  
FIG. 4 is an enlarged view of the section taken along lines 4-4 in FIG. 1;  
FIG. 5 is a cross-sectional view taken long line 5-5 in FIG. 4;  
FIG. 6 is a front view of a vacuum-insulated glass plate according to the second embodiment of the present invention, the rear view being a mirror image thereof;  
FIG. 7 is a left side view thereof, the right side view being a mirror image thereof;  
FIG. 8 is a top view hereof, the bottom view being a mirror image thereof;

(Continued)

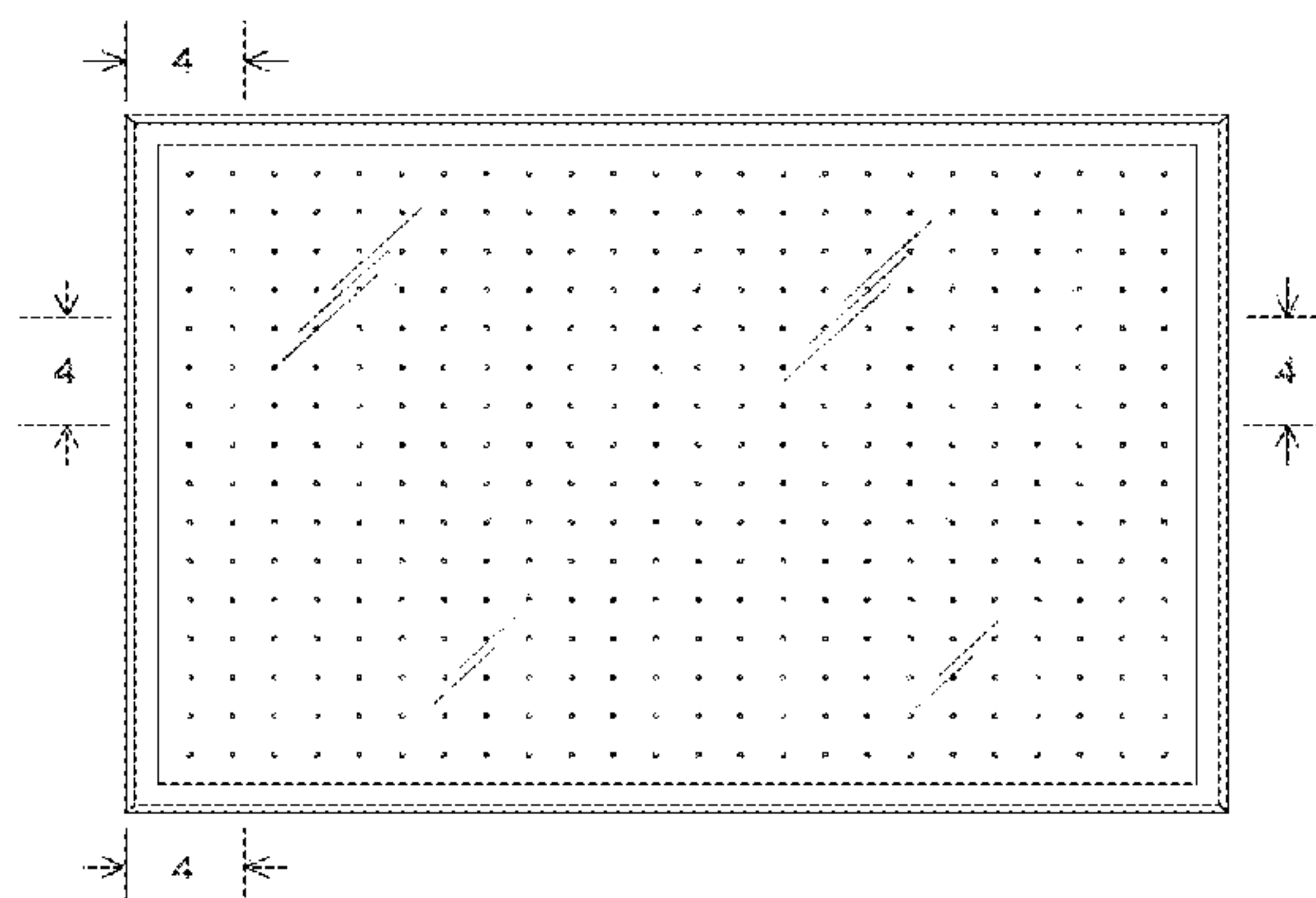


FIG. 9 is an enlarged view of the section taken along lines 9-9 in FIG. 6; and, FIG. 10 is a cross-sectional view taken long line 10-10 in FIG. 9. The broken lines in FIGS. 4, 5, 9 and 10 represent the line where the cross-section was cut away and form no part of the claim.

**1 Claim, 10 Drawing Sheets**

(56)

**References Cited**

U.S. PATENT DOCUMENTS

5,286,537 A \* 2/1994 Oita ..... E06B 3/66  
428/192  
5,436,040 A \* 7/1995 Lafond ..... E06B 3/66328  
428/192  
D394,116 S \* 5/1998 Plummer ..... D25/48.7  
5,851,609 A \* 12/1998 Baratuci ..... B29C 47/0019  
428/34  
D404,144 S \* 1/1999 Fisher ..... D25/103  
D404,145 S \* 1/1999 Fisher ..... D25/103  
6,329,030 B1 \* 12/2001 Lafond ..... E06B 3/66328  
156/107

6,436,493 B1 \* 8/2002 Asano ..... E06B 3/6612  
428/34  
6,581,341 B1 \* 6/2003 Baratuci ..... E06B 3/66309  
428/34  
7,107,729 B2 \* 9/2006 Baratuci ..... E06B 3/66314  
52/204.593  
D542,935 S \* 5/2007 Tedford ..... D25/48.7  
7,244,479 B2 \* 7/2007 Auerbach ..... B32B 17/10302  
428/34  
7,493,739 B2 \* 2/2009 Baratuci ..... E06B 3/66309  
52/172  
8,151,542 B2 \* 4/2012 Trpkovski ..... E06B 3/66309  
52/786.13  
8,329,303 B2 \* 12/2012 Banks ..... C03B 19/06  
313/512  
D695,419 S \* 12/2013 Groening ..... D25/103  
8,595,994 B1 \* 12/2013 Grommesh ..... E06B 3/66304  
52/171.3  
9,645,120 B2 \* 5/2017 Nash ..... E06B 5/205  
9,688,575 B2 \* 6/2017 Dai ..... E06B 3/6612  
D816,815 S \* 5/2018 Lieb ..... D23/305  
9,988,302 B2 \* 6/2018 Hogan ..... C03C 8/24  
D824,355 S \* 7/2018 Kim ..... D14/126  
10,012,019 B2 \* 7/2018 Veerasamy ..... E06B 3/66357  
10,024,098 B2 \* 7/2018 Abe ..... C03C 27/06  
D826,326 S \* 8/2018 Sellon ..... D19/113

\* cited by examiner

Fig. 1

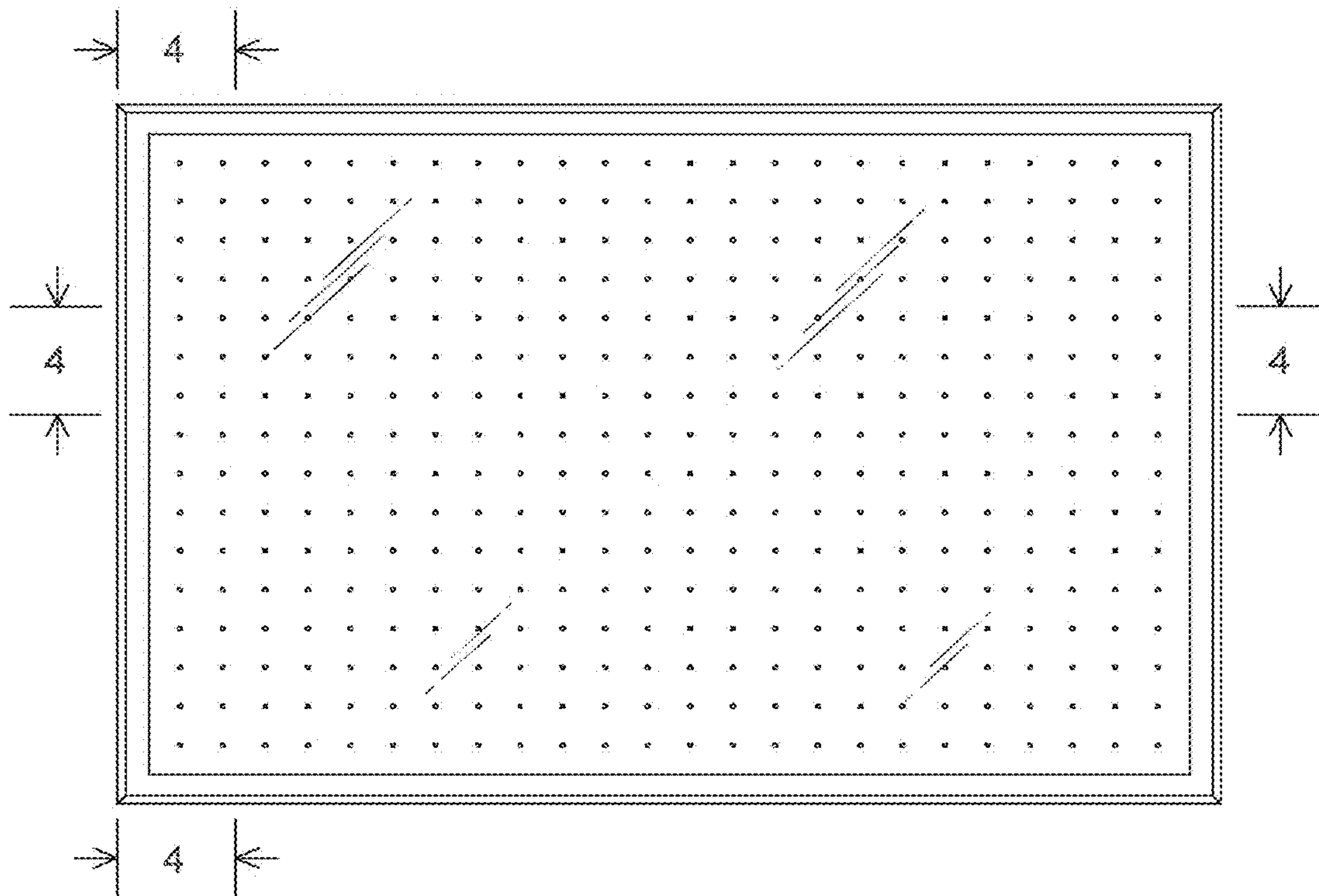


Fig.2

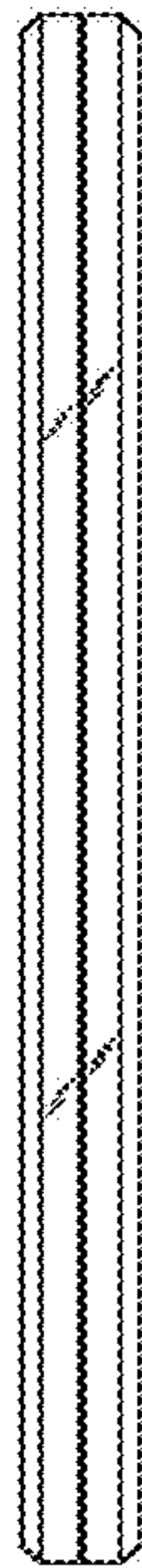


Fig.3



Fig. 4

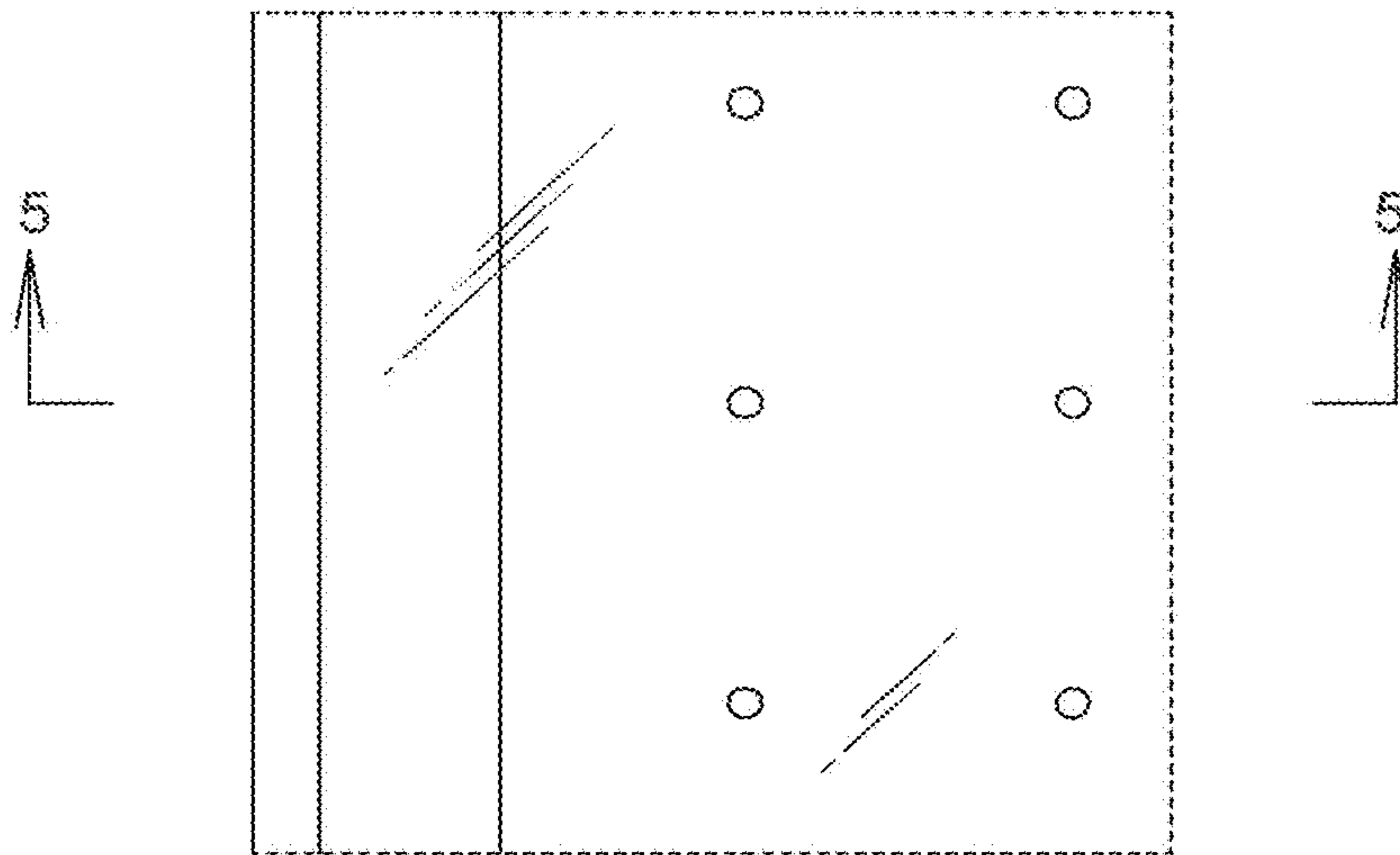


Fig.5

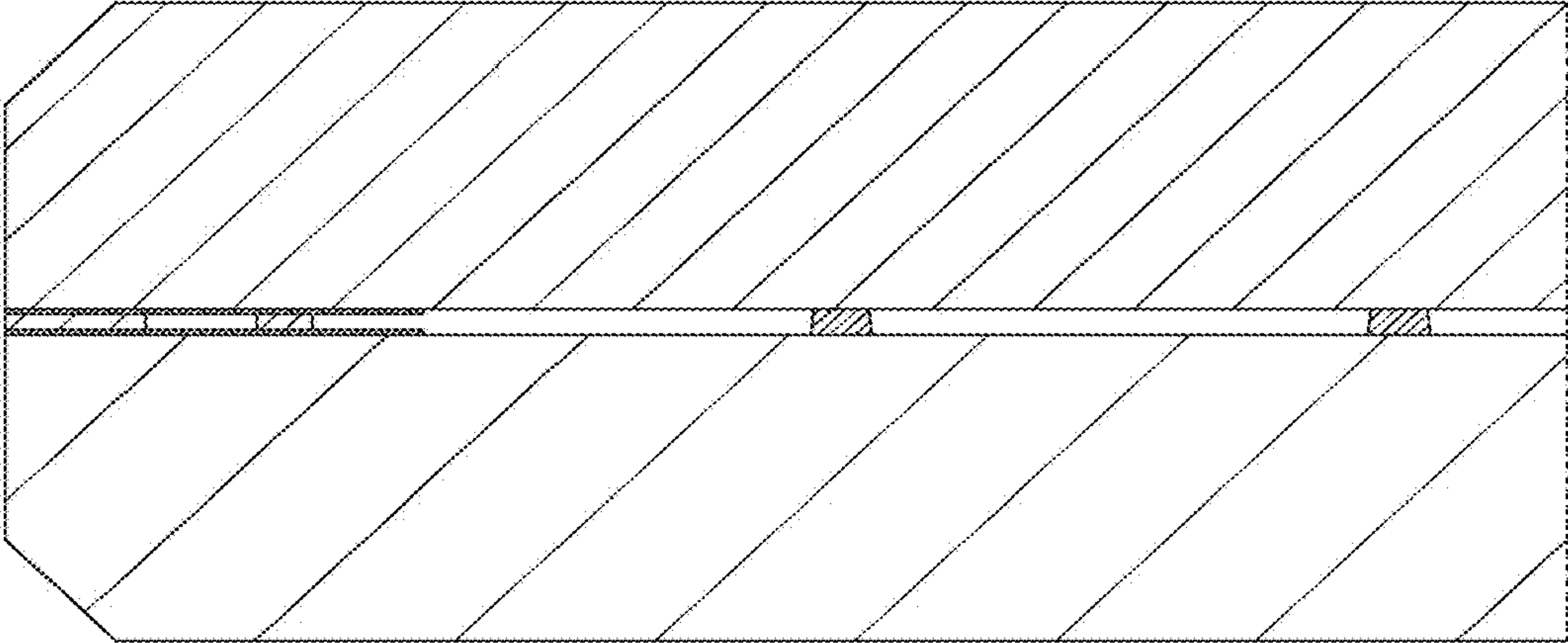




Fig.6

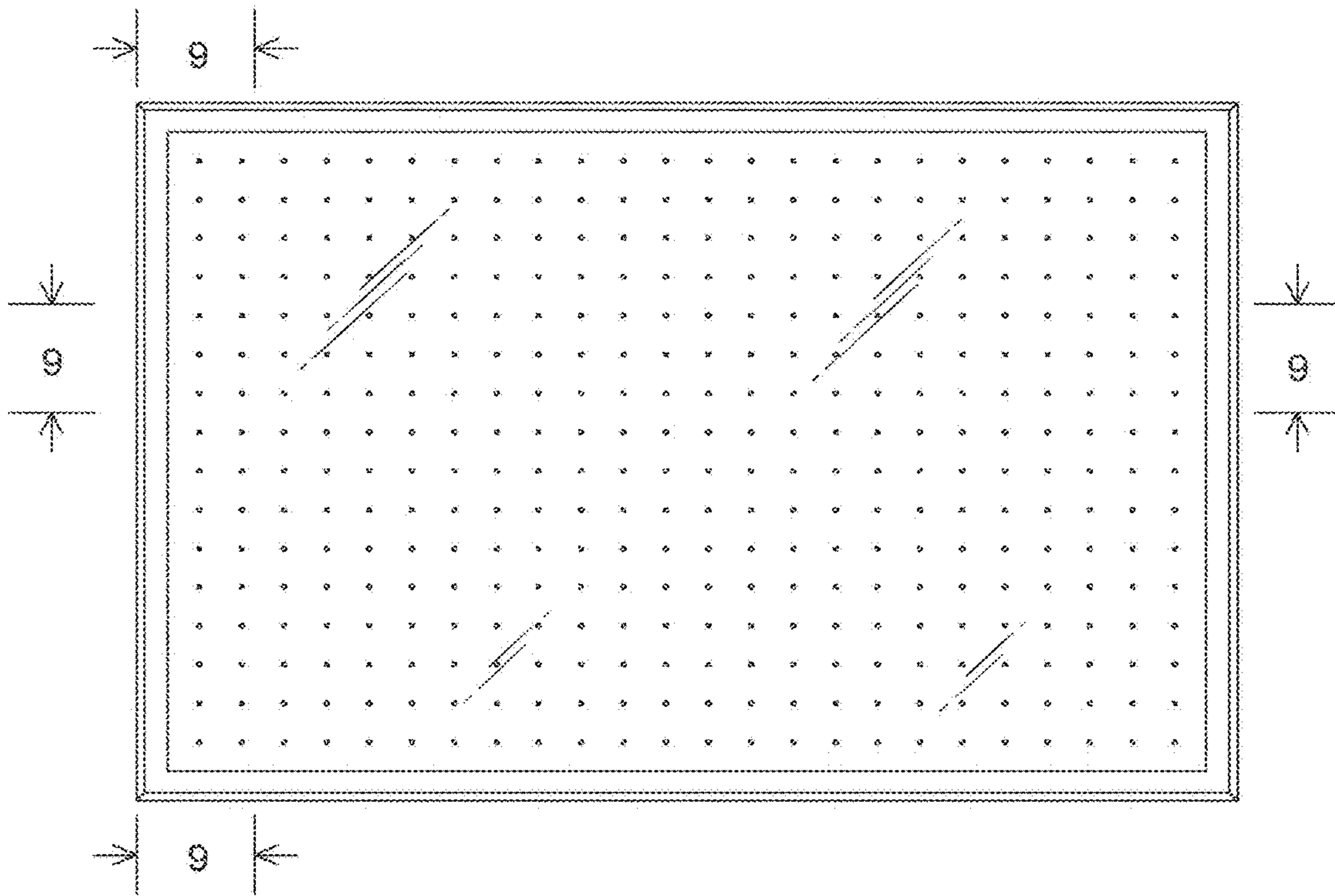




Fig. 7

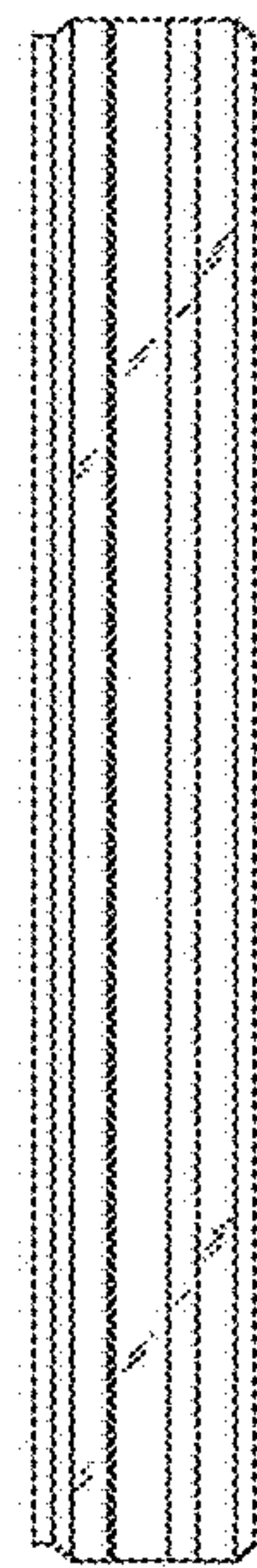


Fig. 8

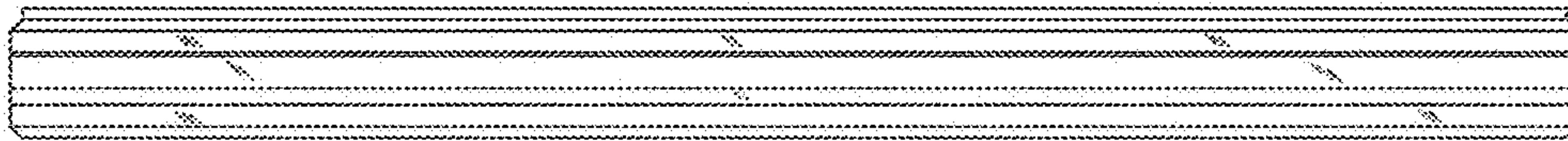


Fig. 9

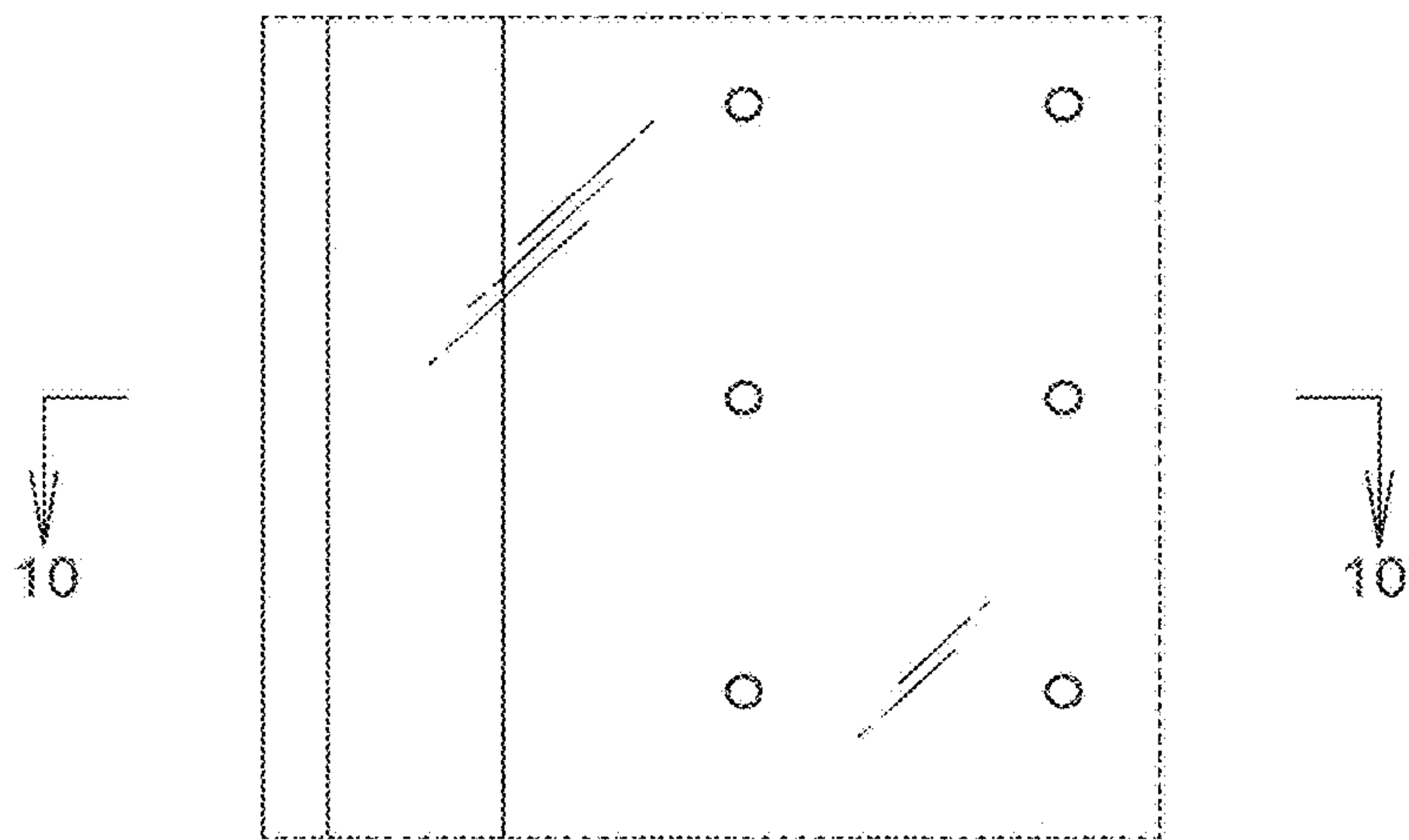


Fig.10

