



US00D837405S

(12) **United States Design Patent**  
**Greene**

(10) **Patent No.:** **US D837,405 S**  
(45) **Date of Patent:** **\*\* Jan. 1, 2019**

- (54) **DOOR SEAL ASSEMBLY**
- (71) Applicant: **Jacobs & Thompson Inc.**, Toronto (CA)
- (72) Inventor: **Robert Greene**, Barrie (CA)
- (73) Assignee: **Jacobs & Thompson Inc.**, Toronto (CA)
- (\*\*) Term: **15 Years**
- (21) Appl. No.: **29/596,458**
- (22) Filed: **Mar. 8, 2017**
- (51) **LOC (11) Cl.** ..... **25-01**
- (52) **U.S. Cl.**  
USPC ..... **D25/48.2**
- (58) **Field of Classification Search**  
USPC ..... D25/48.2  
CPC ..... E06B 7/18; E06B 7/22; E06B 7/26; E06B 7/231; E06B 7/2305; E06B 7/2309; E06B 7/2312; E06B 7/2314; E06B 7/2316; E06B 3/28; E06B 1/70; A62C 3/14; B60J 10/16; B60J 10/86; B60J 10/235  
See application file for complete search history.

6,478,308 B1 \* 11/2002 McMillin ..... B60J 10/235  
277/630  
D554,774 S \* 11/2007 Antonic ..... D25/119  
8,707,903 B2 \* 4/2014 Silvis ..... A01K 1/0005  
119/416

(Continued)

**OTHER PUBLICATIONS**

[https://hw.menardc.com/main/items/media/WJDEN001/Prod\\_Tech\\_Spec/WVJDBrochure4\\_2015.pdf](https://hw.menardc.com/main/items/media/WJDEN001/Prod_Tech_Spec/WVJDBrochure4_2015.pdf) last modified Dec. 3, 2015 (Year: 2015).\*

(Continued)

*Primary Examiner* — Susan Bennett Hattan  
*Assistant Examiner* — Leanne Was-Englehart  
(74) *Attorney, Agent, or Firm* — Millman IP Inc.

(57) **CLAIM**

The design for a door seal assembly, as shown and described.

**DESCRIPTION**

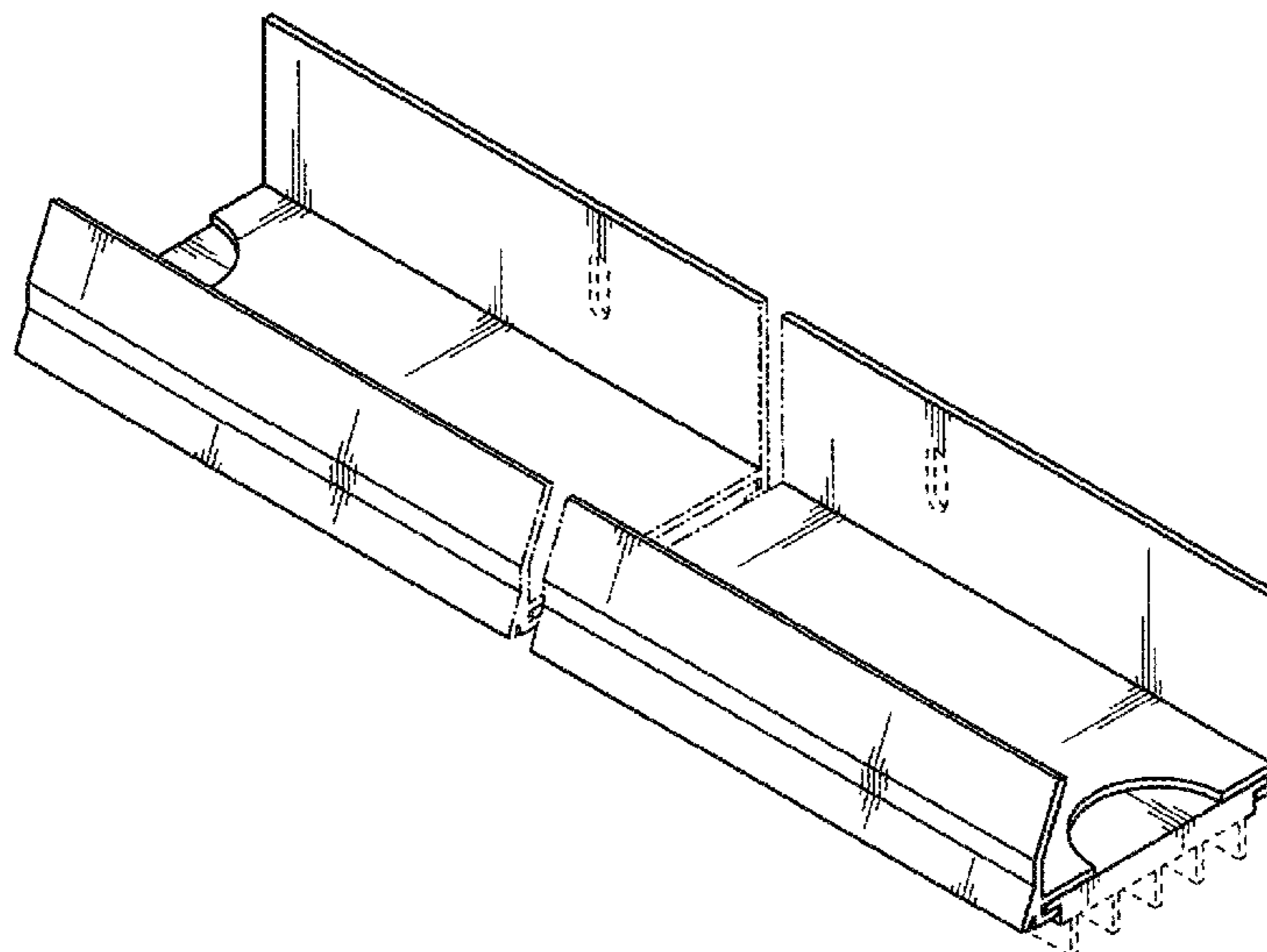
FIG. 1 is a perspective view from above, to the front and to one side of the new design for a door seal assembly including a mounting bracket with an insert installed in the mounting bracket;  
 FIG. 2 is a perspective view from above, to the front and to one side thereof showing the insert removed from the mounting bracket;  
 FIG. 3 is a front view thereof;  
 FIG. 4 is a top view thereof;  
 FIG. 5 is a right side view thereof;  
 FIG. 6 is a bottom view thereof; and,  
 FIG. 7 is a left side view thereof.  
 In the drawings, the broken lines depict environmental subject matter only and form no part of the claimed design, and the break lines depict the bounds of the claim. The area between the break lines forms no part of the claimed design.

**1 Claim, 4 Drawing Sheets**

(56) **References Cited**

**U.S. PATENT DOCUMENTS**

- 4,104,830 A \* 8/1978 Eagle ..... E06B 1/70  
49/468
- 4,399,640 A \* 8/1983 Porter ..... E06B 3/28  
160/368.1
- 4,447,989 A \* 5/1984 Mailand ..... E06B 7/2316  
49/482.1
- 5,007,203 A 4/1991 Katrynuik
- 5,056,263 A \* 10/1991 Bies ..... E06B 7/2312  
49/470
- 5,214,880 A \* 6/1993 Woodruff ..... E06B 3/88  
49/470
- 5,943,825 A \* 8/1999 Procton ..... E06B 1/70  
49/469



(56)

**References Cited**

U.S. PATENT DOCUMENTS

8,726,575 B1 \* 5/2014 Vulpitta ..... E06B 7/22  
49/470  
8,984,813 B2 \* 3/2015 Vulpitta ..... E06B 7/22  
49/470  
D775,366 S \* 12/2016 Mitchell ..... D25/48.2  
D775,368 S \* 12/2016 Jaskiewicz ..... D25/48.2  
D794,215 S \* 8/2017 Reutlingen ..... D25/48.3  
2005/0086868 A1 \* 4/2005 Santelli, Jr. .... E06B 7/2305  
49/499.1  
2007/0261312 A1 \* 11/2007 Kuppler ..... A62C 3/14  
49/470  
2012/0079771 A1 \* 4/2012 Meulemans ..... E06B 7/2305  
49/484.1  
2016/0340968 A1 \* 11/2016 Mitchell ..... E06B 7/18

OTHER PUBLICATIONS

<https://www.homedepot.com/b/Hardware-Weather-Stripping-Door-Bottoms/M-D-Building-Products/N-5yc1vZc3e0Za0j> Retrieved Mar. 23, 2018 (Year: 2018).\*

\* cited by examiner

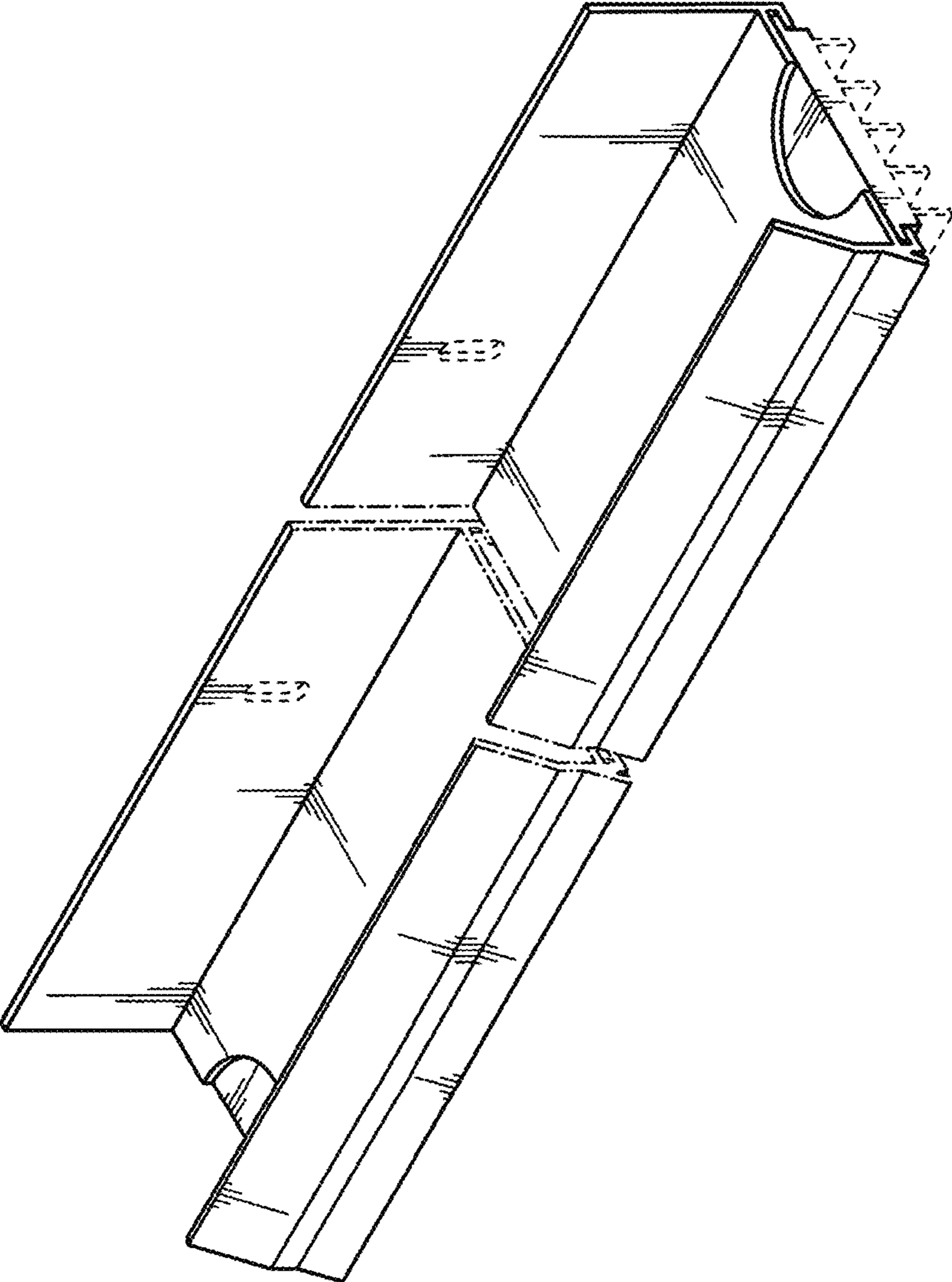


FIG. 1

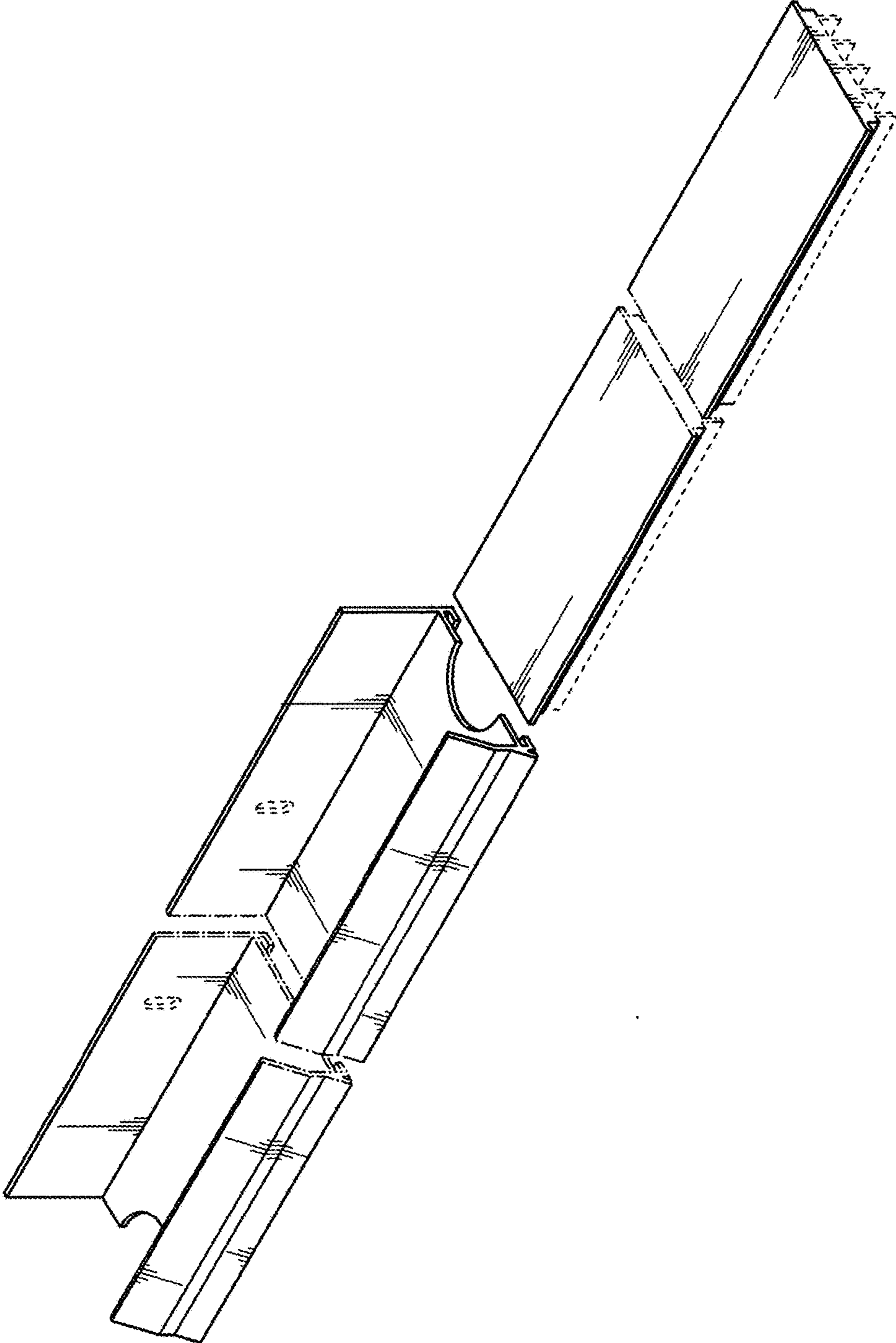


FIG. 2

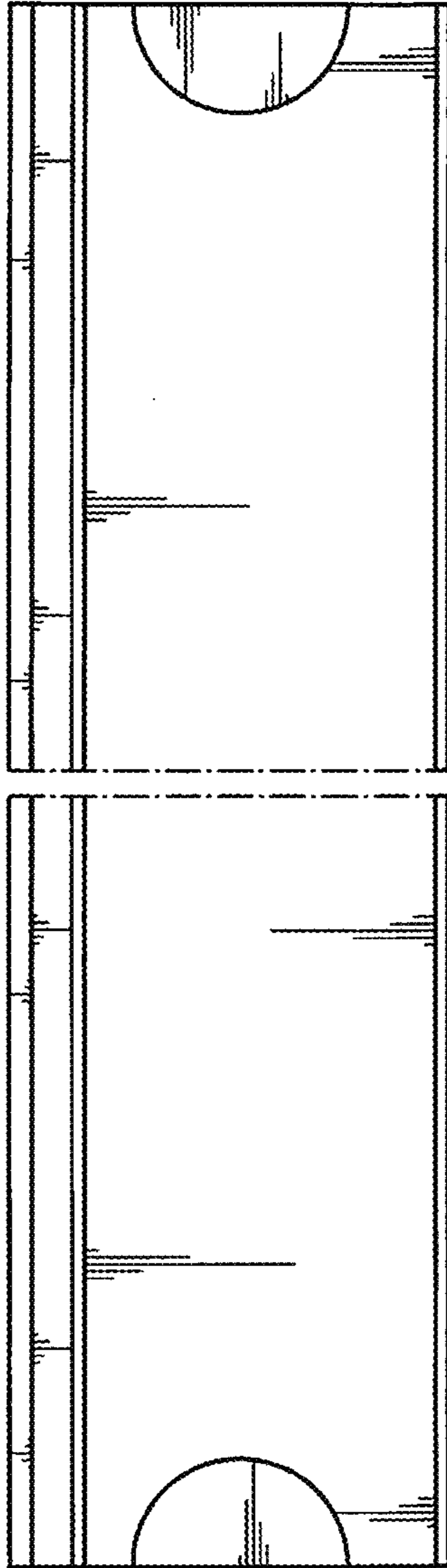


FIG. 4

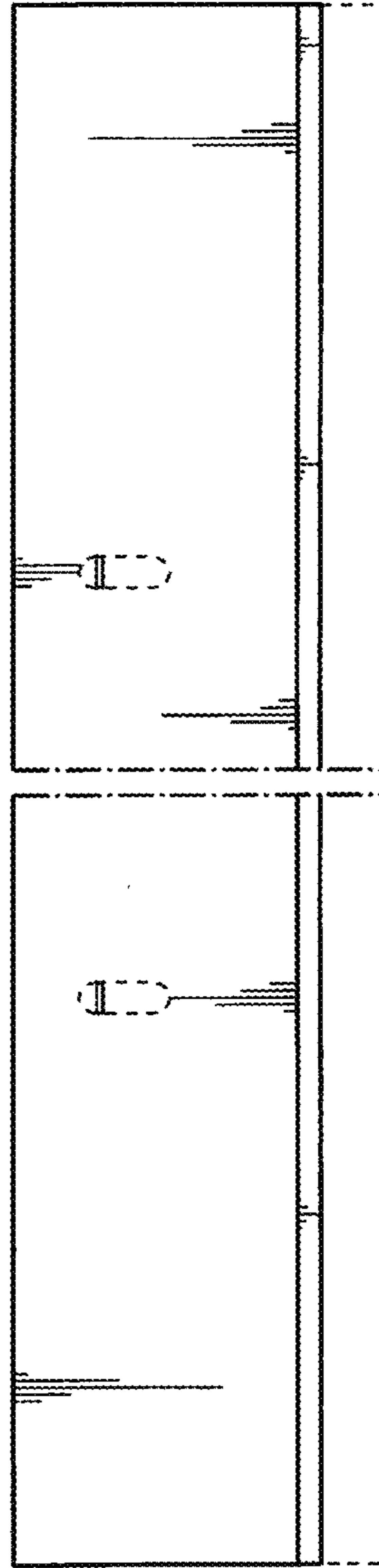


FIG. 5

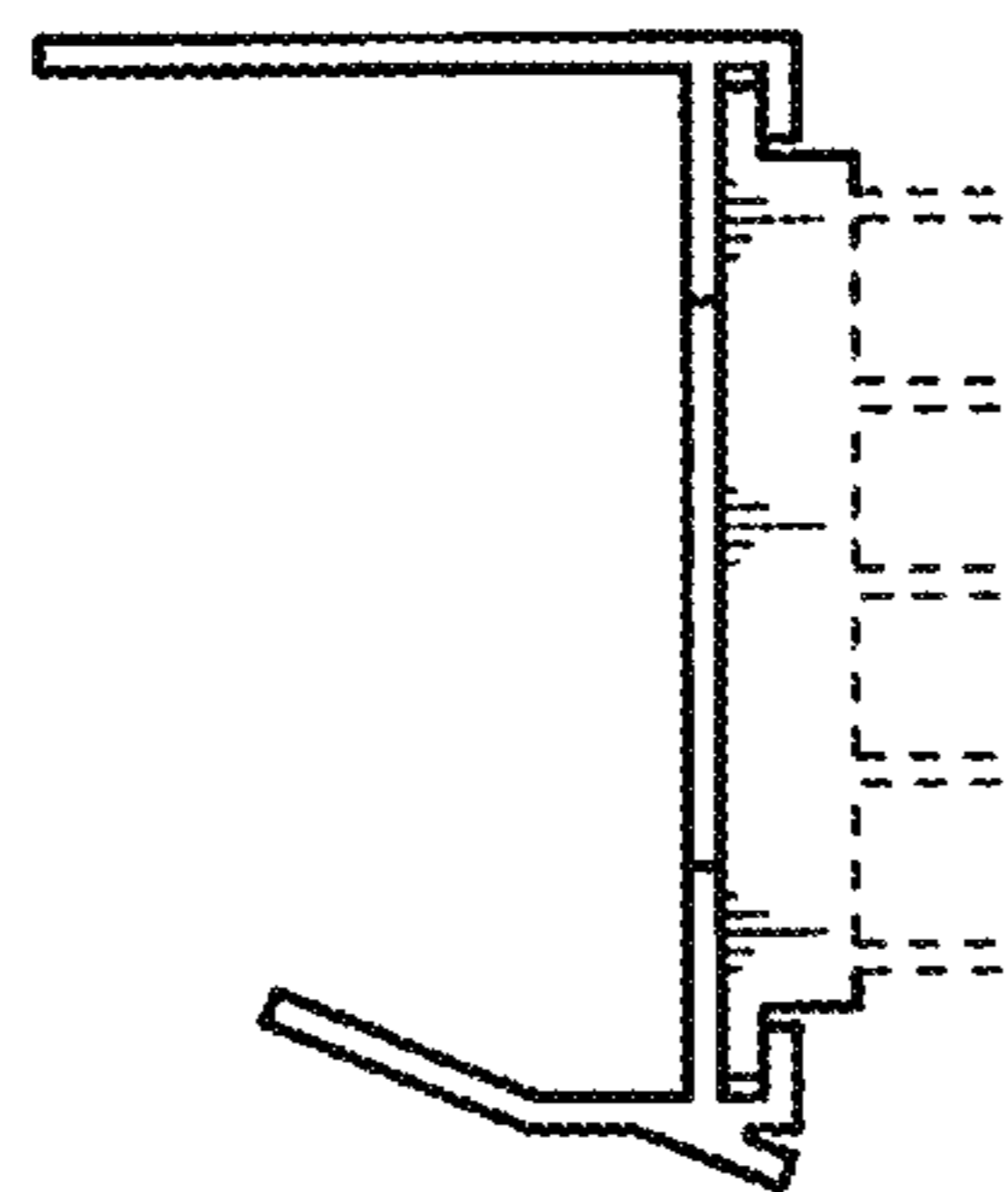


FIG. 3

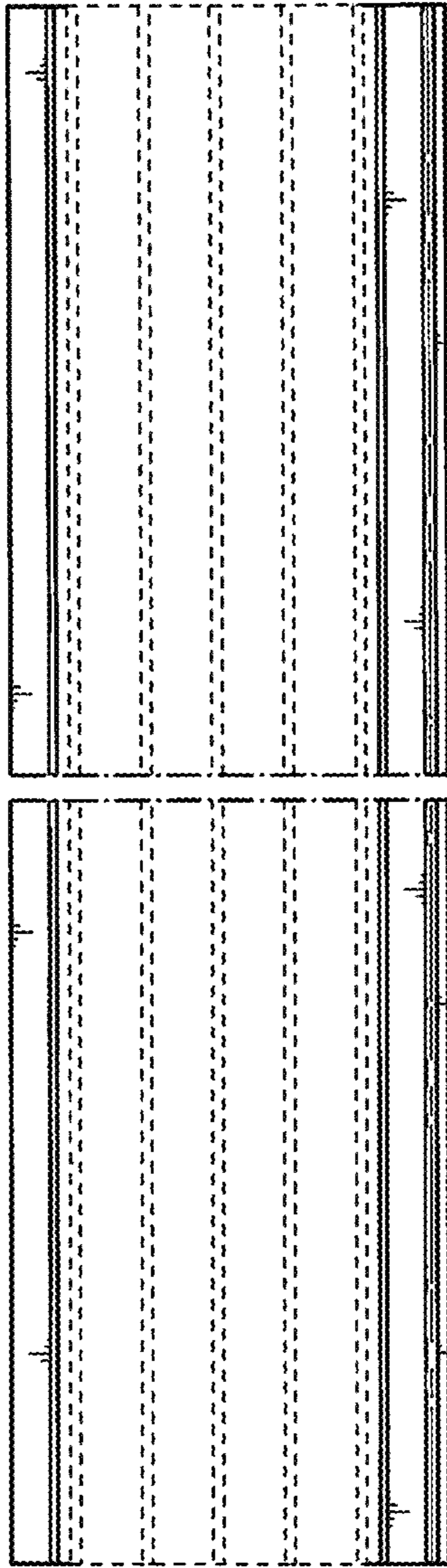


FIG. 6

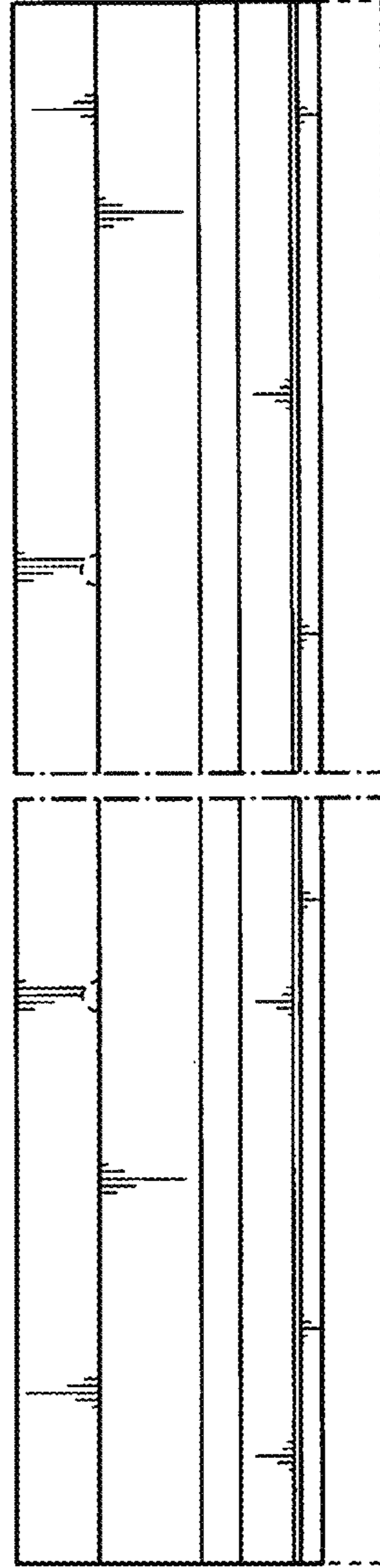


FIG. 7