



US00D837402S

(12) **United States Design Patent**
Kim

(10) **Patent No.:** **US D837,402 S**

(45) **Date of Patent:** **** Jan. 1, 2019**

(54) **LEUKOCYTES DETECTOR FOR MEDICAL PURPOSE**

(71) Applicant: **NEW OPTICS, LTD.**, Yangju-si, Gyeonggi-do (KR)

(72) Inventor: **Young Ki Kim**, Seoul (KR)

(73) Assignee: **NEW OPTICS, LTD.**, Yangju-si, Gyeonggi-Do (KR)

(**) Term: **15 Years**

(21) Appl. No.: **29/588,722**

(22) Filed: **Dec. 22, 2016**

(30) **Foreign Application Priority Data**

Dec. 19, 2016 (KR) 30-2016-0061756

(51) **LOC (11) Cl.** **24-01**

(52) **U.S. Cl.**
USPC **D24/232**

(58) **Field of Classification Search**
USPC D24/107, 169, 185, 186, 216-219, D24/231-234; D10/81
CPC G01N 21/0483; G01N 21/0303; G01N 35/00029; G01N 35/00019; G01N 2035/00326; G01N 21/6428; G01N 21/6486; G01N 2201/061
See application file for complete search history.

(56) **References Cited**

U.S. PATENT DOCUMENTS

D515,707 S * 2/2006 Shinohara D24/216
D554,551 S * 11/2007 Ouchi D24/232

D655,824 S * 3/2012 Tsutsumida D24/216
D657,067 S * 4/2012 Shibata D24/216
D671,227 S * 11/2012 Parker D24/216
D705,437 S * 5/2014 Chamberlin D24/216
D761,439 S * 7/2016 Ruiz Robles D24/232
D782,058 S * 3/2017 Wan D24/216
D782,691 S * 3/2017 Funakoshi D24/216
D783,175 S * 4/2017 Hosokawa D24/216
2010/0330609 A1 * 12/2010 Nagai G01N 35/0092
435/29

* cited by examiner

Primary Examiner — Anhdao Doan

(74) *Attorney, Agent, or Firm* — Rabin & Berdo, P.C.

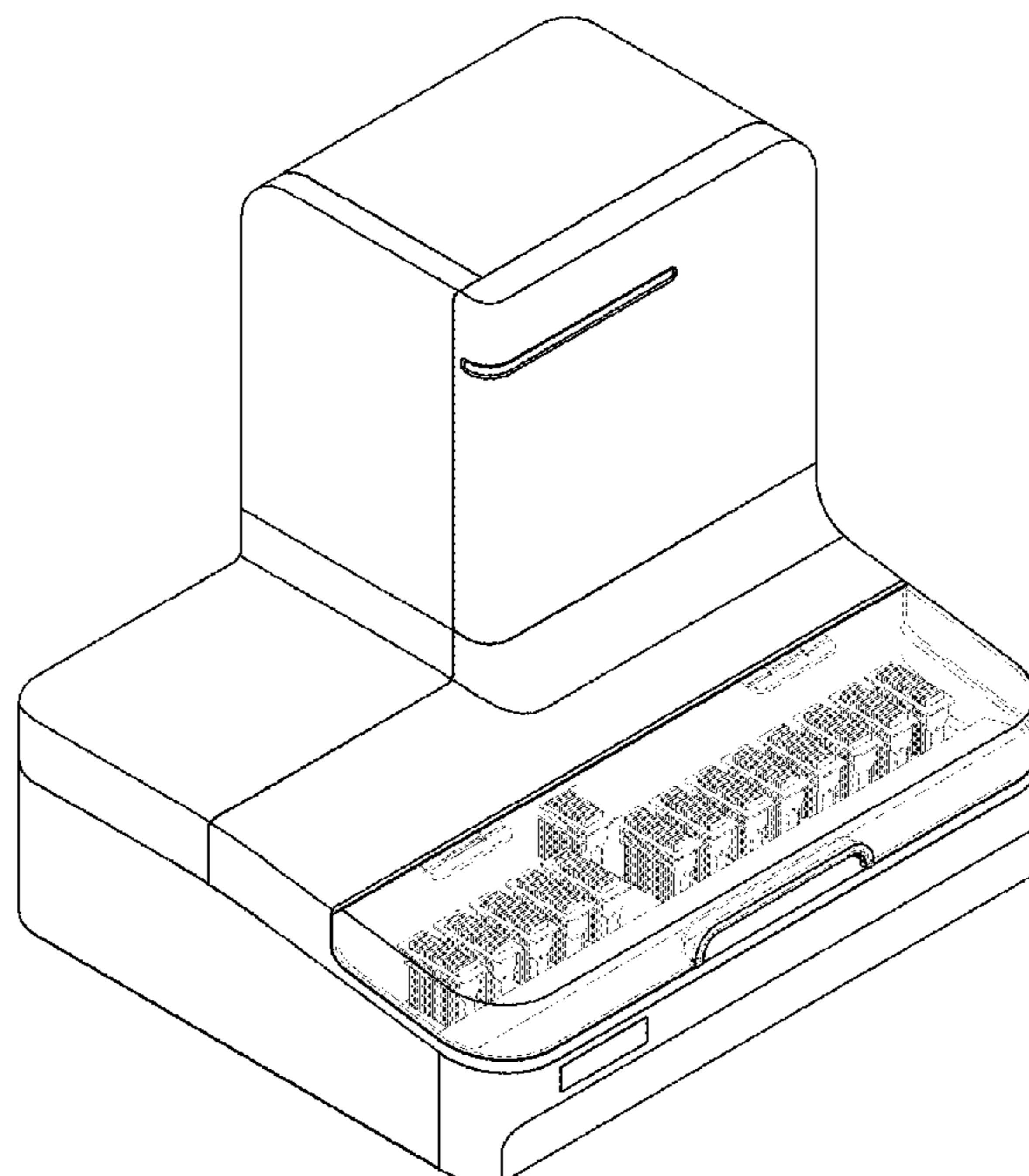
(57) **CLAIM**

The ornamental design for a leukocytes detector for medical purpose, as shown and described.

DESCRIPTION

FIG. 1 is a top perspective view of a leukocytes detector for medical purpose;
FIG. 2 is a front elevational view thereof;
FIG. 3 is a rear elevational view thereof;
FIG. 4 is a left side elevational view thereof;
FIG. 5 is a right side elevational view thereof;
FIG. 6 is a top plan view thereof; and
FIG. 7 is a bottom plan view thereof; and,
FIG. 8 is another perspective view thereof, wherein a transparent cover is in an open position.

1 Claim, 8 Drawing Sheets



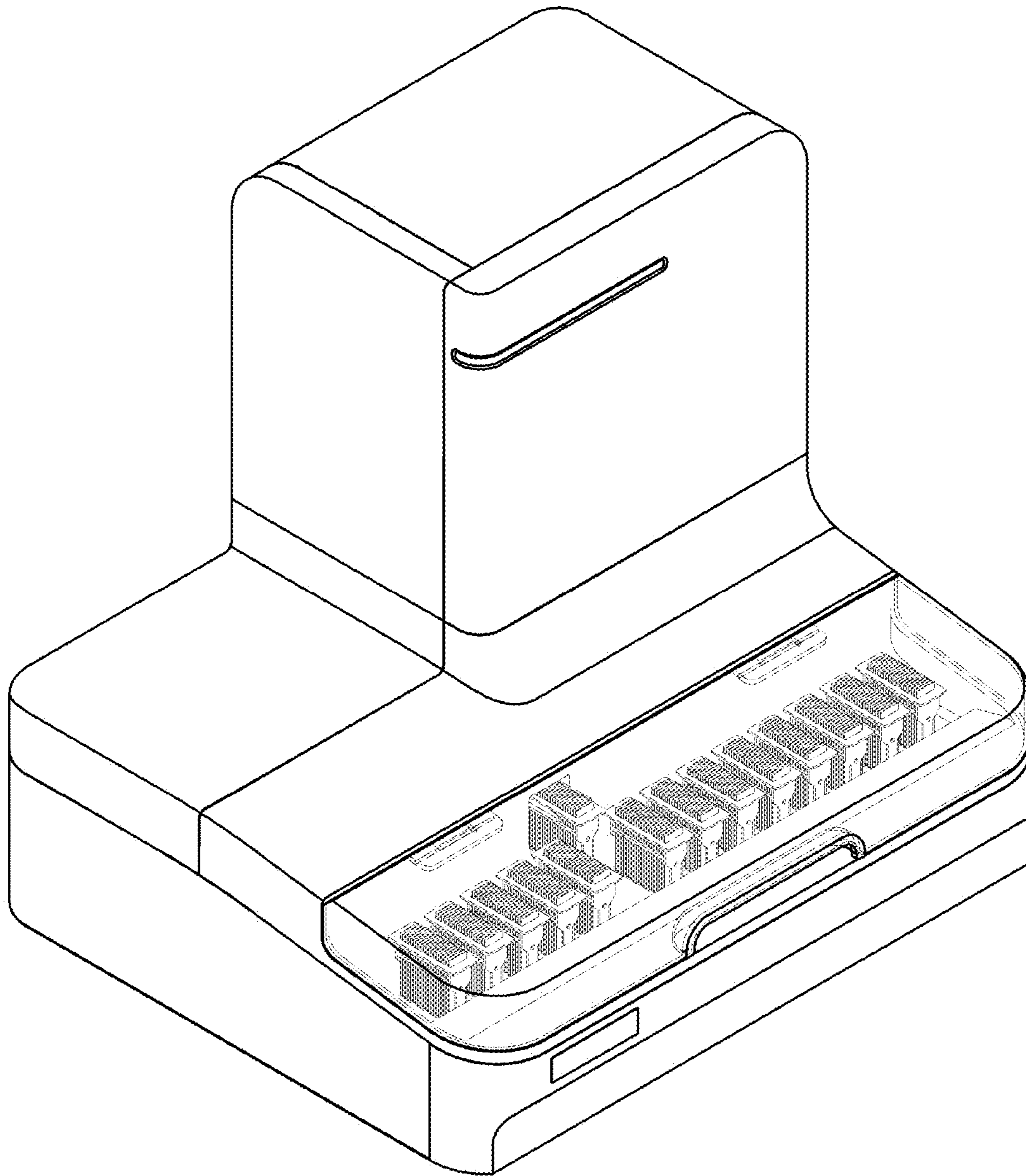


Fig. 1

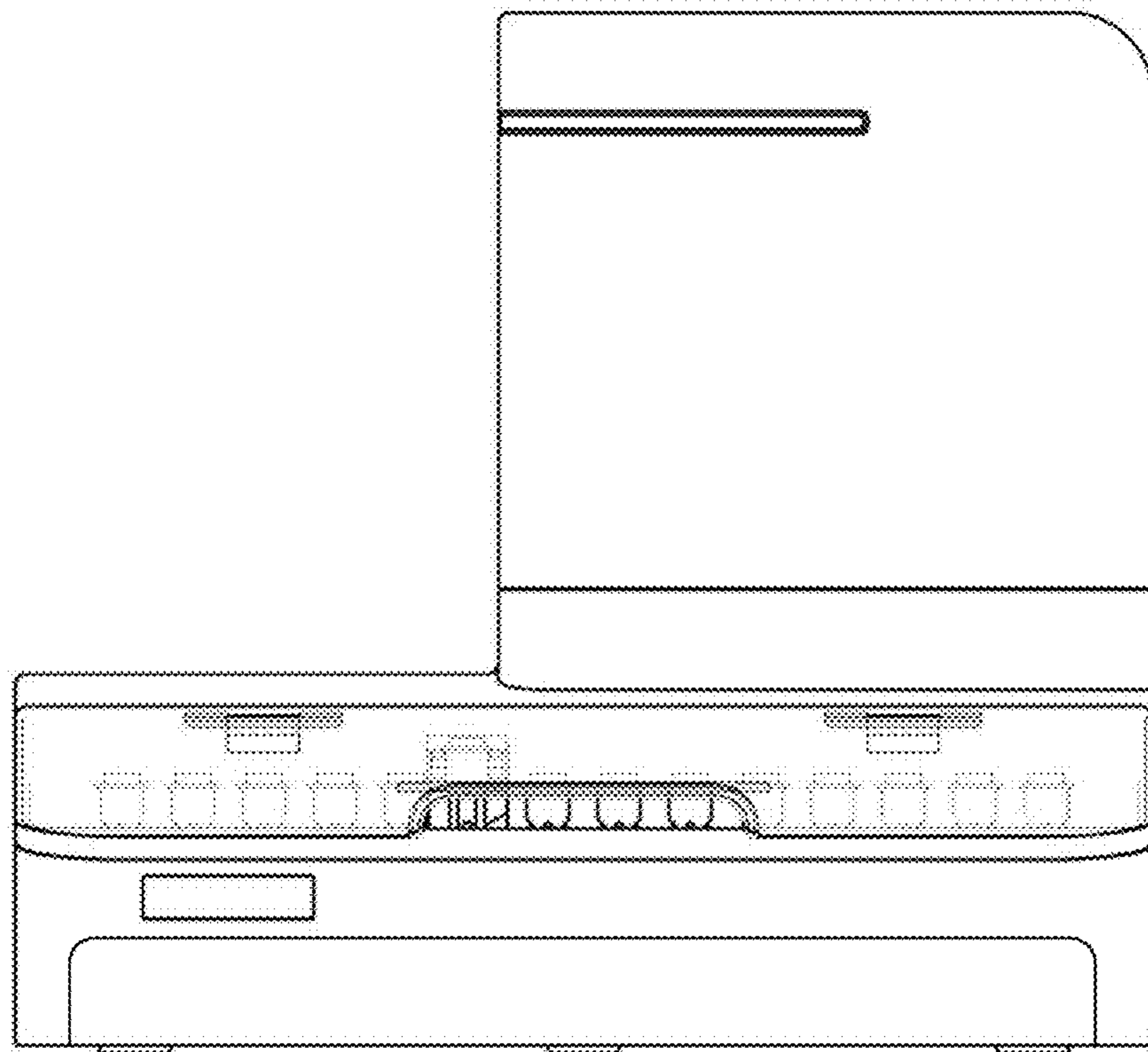


Fig. 2

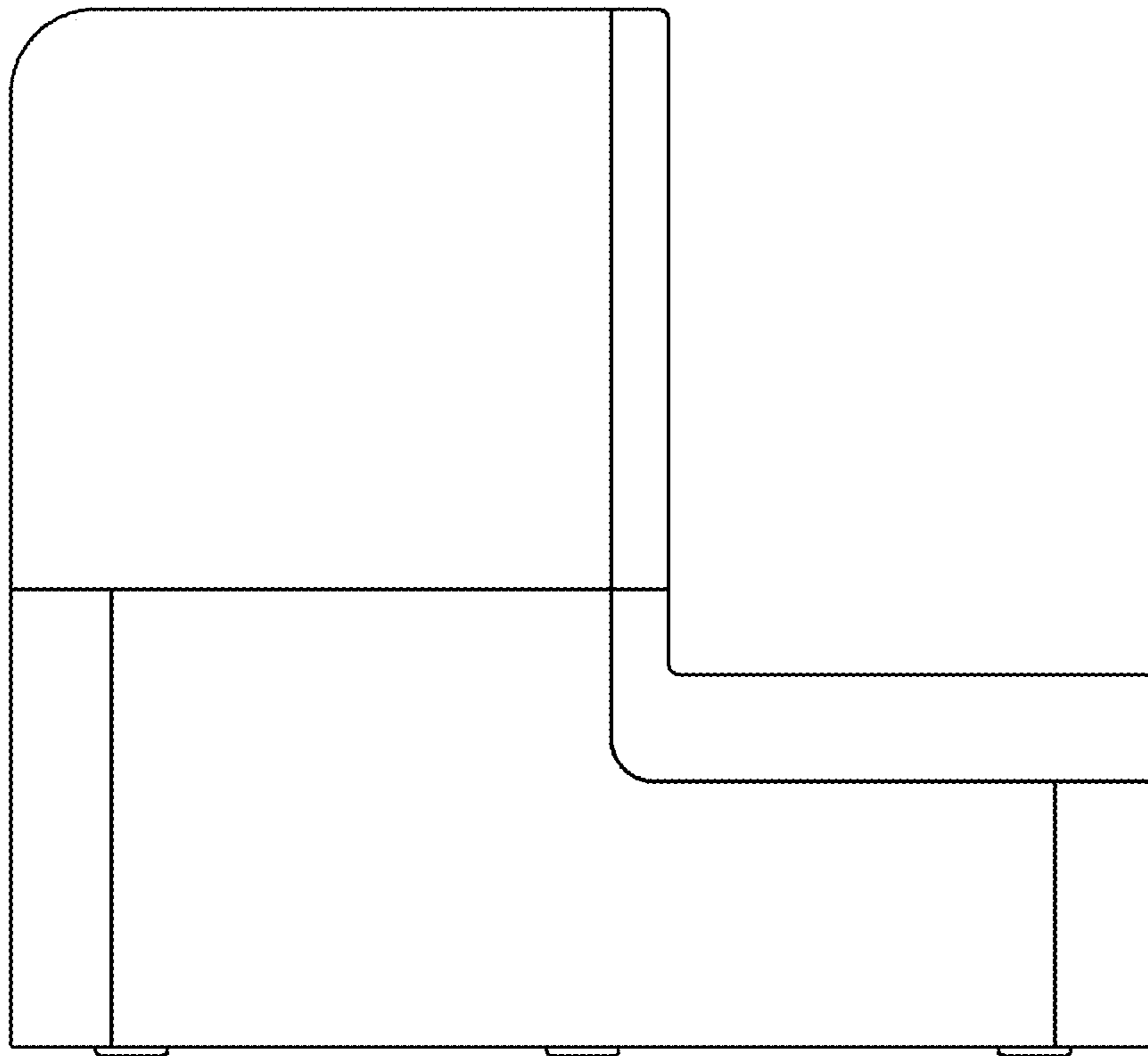


Fig. 3

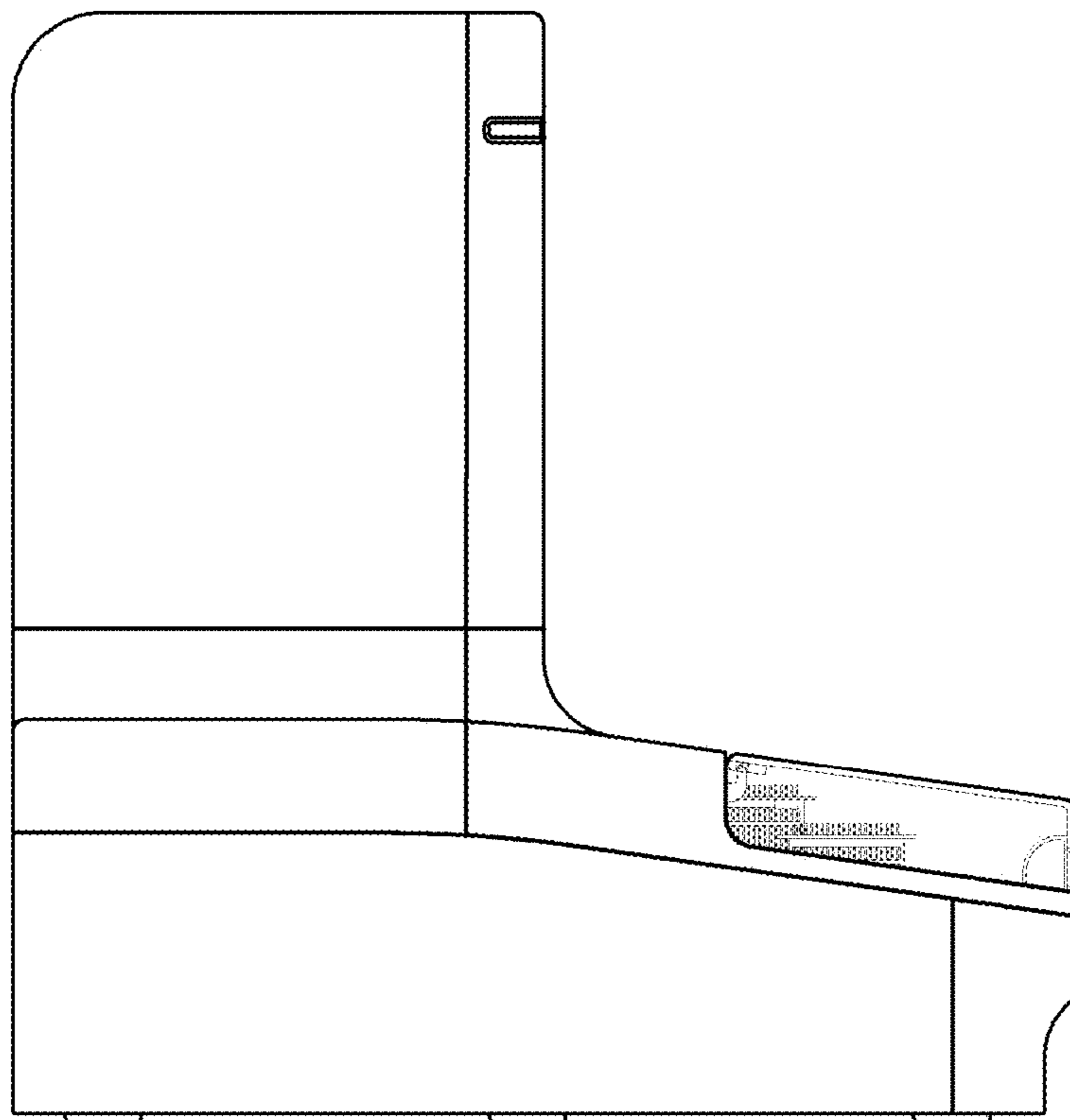


Fig. 4

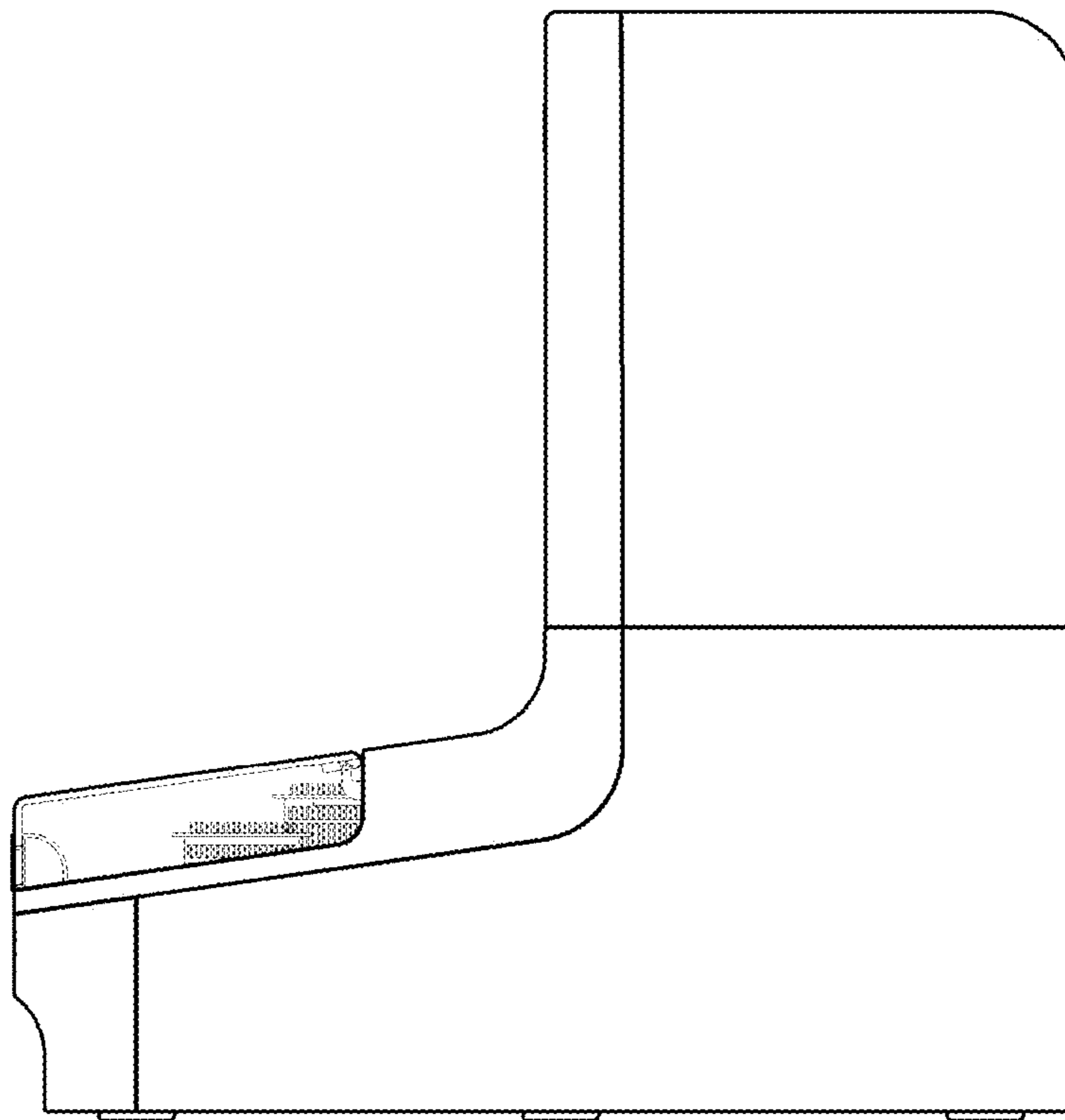


Fig. 5

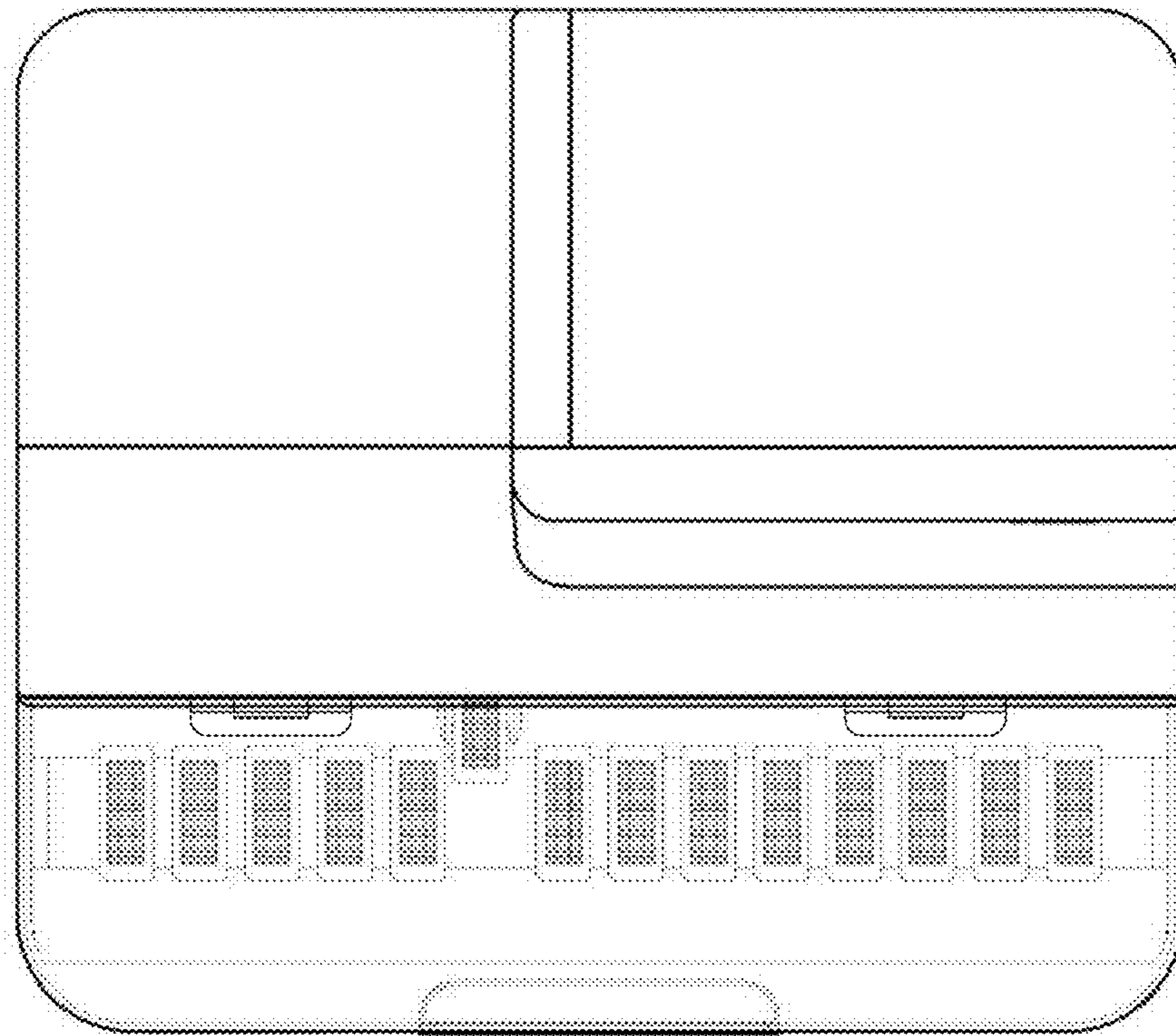


Fig. 6

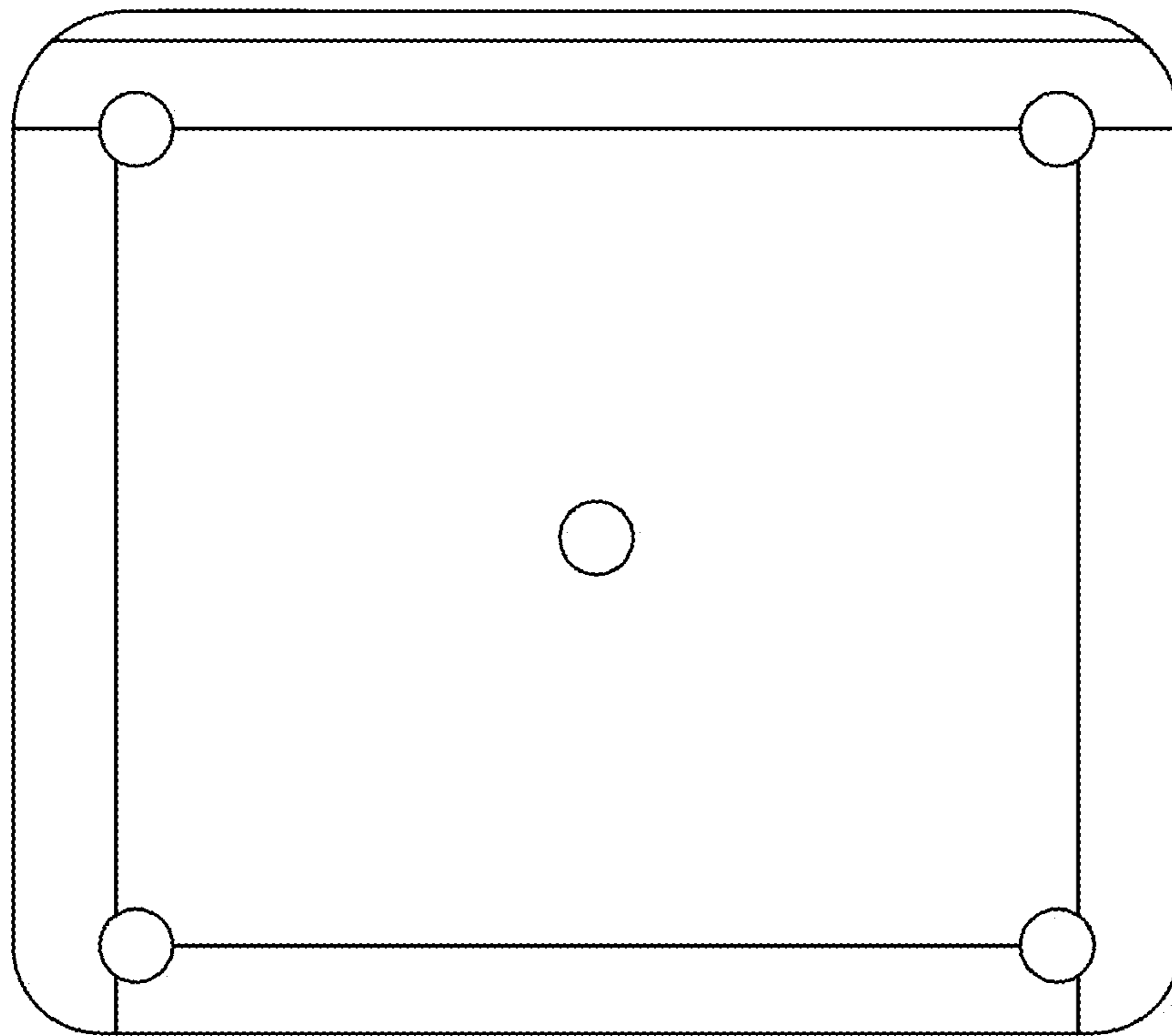


Fig. 7

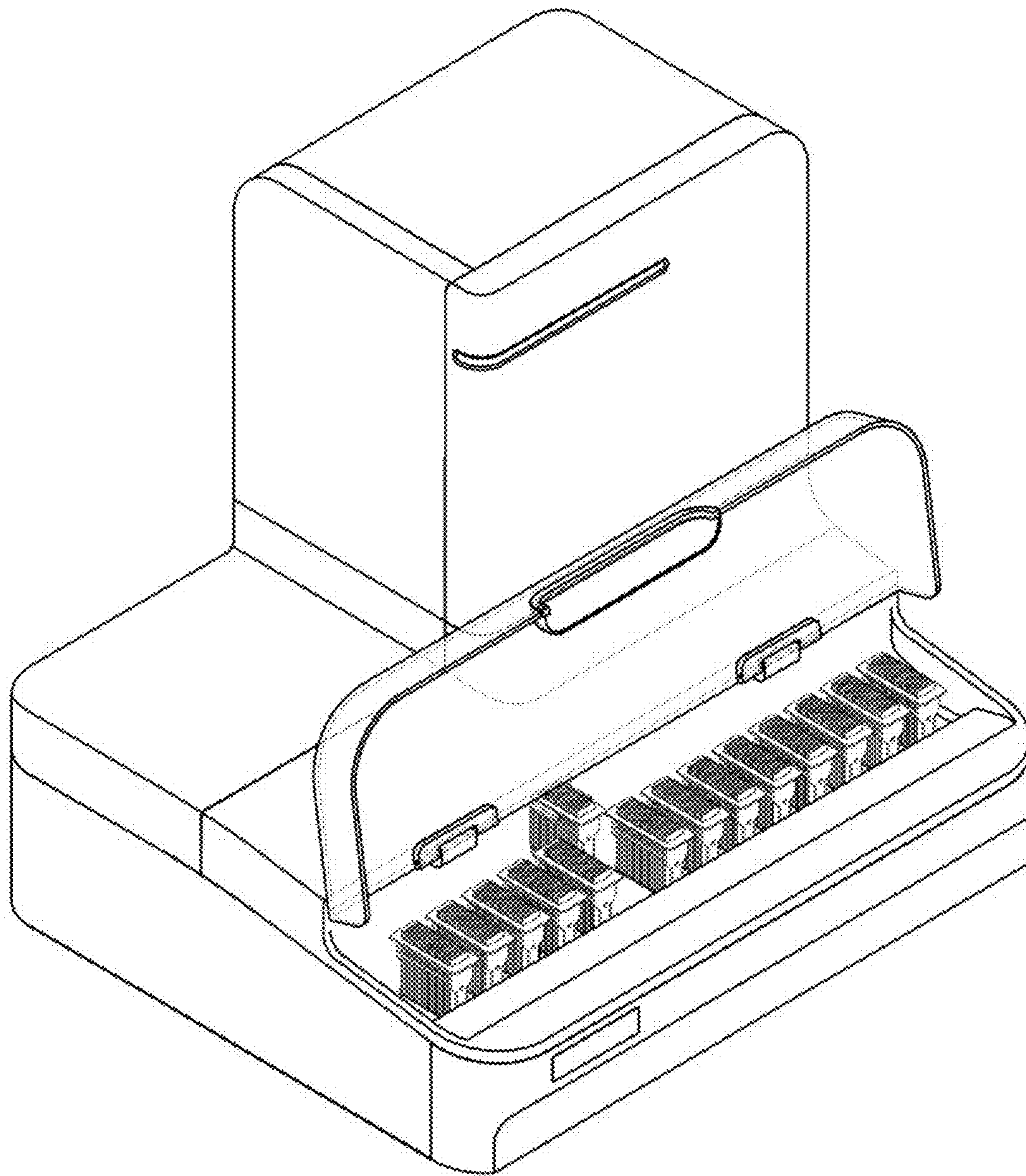


Fig. 8