



US00D837401S

(12) **United States Design Patent**
Gardner et al.

(10) **Patent No.:** **US D837,401 S**
(45) **Date of Patent:** **** Jan. 1, 2019**

(54) **CARRIER FOR USE IN A DIAGNOSTIC ANALYZER**
(71) Applicant: **Abbott Laboratories**, Abbott Park, IL (US)
(72) Inventors: **Gregory E. Gardner**, Grapevine, TX (US); **Roger Simonsen**, Sachse, TX (US); **Douglas Campbell**, Highland Village, TX (US)

6,588,625 B2 7/2003 Luoma, II et al.
6,669,910 B1 12/2003 Bienhaus et al.
D500,363 S * 12/2004 Fanning D24/227
7,000,785 B2 2/2006 Jafari et al.
7,132,082 B2* 11/2006 Aviles B01L 9/06
211/74
7,276,208 B2* 10/2007 Sevigny B01L 9/06
211/74

(Continued)

(73) Assignee: **Abbott Laboratories**, Abbott Park, IL (US)

OTHER PUBLICATIONS
European Patent Office, "Notification of Registration," issued in connection with European Union Design application 003388941, dated Nov. 15, 2016, 6 pages.

(Continued)

(**) Term: **15 Years**

Primary Examiner — Susan Bennett Hattan

(21) Appl. No.: **29/558,820**

Assistant Examiner — Rebecca Tsehaye

(22) Filed: **Mar. 22, 2016**

(51) **LOC (11) Cl.** **24-02**

(74) *Attorney, Agent, or Firm* — Hanley, Flight & Zimmerman, LLC

(52) **U.S. Cl.**

USPC **D24/230**

(58) **Field of Classification Search**

USPC D24/230, 229, 224-227, 216; 211/74, 211/60.1; 422/552, 551

CPC B01L 3/50; B01L 3/5025; B01L 3/508; B01L 3/5082

See application file for complete search history.

(57) **CLAIM**

The ornamental design for a "carrier for use in a diagnostic analyzer," as shown and described.

DESCRIPTION

FIG. 1 is a front right perspective view of a carrier for use in a diagnostic analyzer.

FIG. 2 is a front view of the carrier of FIG. 1.

FIG. 3 is a rear view of the carrier of FIG. 1.

FIG. 4 is a right side view of the carrier of FIG. 1.

FIG. 5 is a left side view of the carrier of FIG. 1.

FIG. 6 is a top view of the carrier of FIG. 1.

FIG. 7 is a bottom view of the carrier of FIG. 1; and,

FIG. 8 is a rear right perspective view of the carrier of FIG. 1.

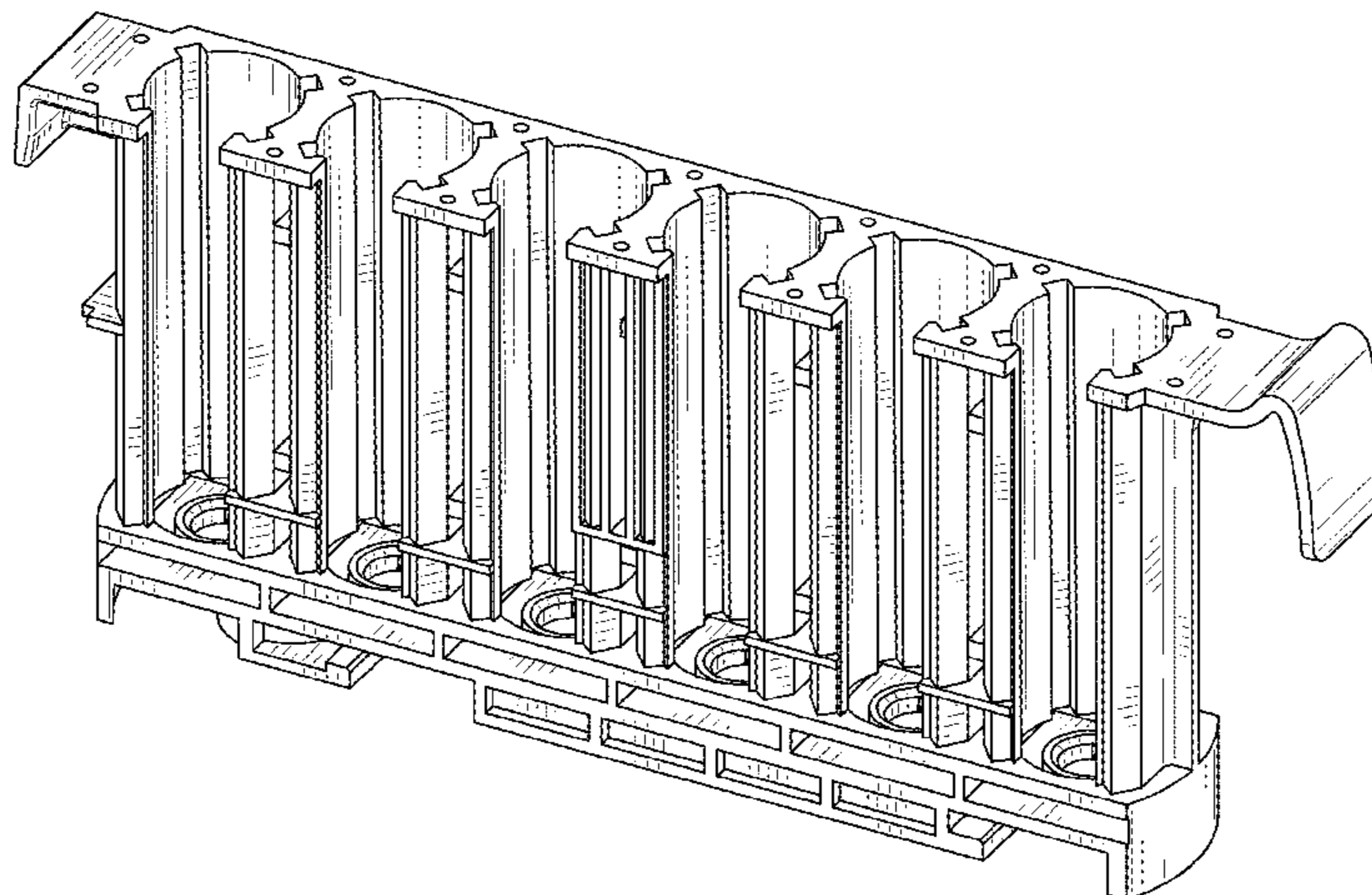
The features shown in broken lines form no part of the claimed design.

1 Claim, 6 Drawing Sheets

(56) **References Cited**

U.S. PATENT DOCUMENTS

D333,522 S * 2/1993 Gianino D24/229
5,589,137 A 12/1996 Markin et al.
D382,346 S * 8/1997 Buhler D24/227
5,700,429 A 12/1997 Bühler et al.
5,861,563 A 1/1999 Boyd et al.
D413,391 S * 8/1999 Lapeus D24/227
D413,677 S * 9/1999 Dumitrescu D24/227
5,948,360 A 9/1999 Rao et al.
D421,130 S * 2/2000 Cohen D24/229
D428,497 S * 7/2000 Lapeus D24/227
6,123,205 A 9/2000 Dumitrescu et al.



(56)

References Cited

U.S. PATENT DOCUMENTS

7,282,182	B2 *	10/2007	Dale	B01L 9/06 422/562
7,458,483	B2	12/2008	Luoma, II		
D595,423	S *	6/2009	Johansson	D24/229
D603,524	S *	11/2009	Suzuki	D24/229
7,628,954	B2	12/2009	Gomm et al.		
7,682,565	B2 *	3/2010	Linton	B01L 3/5025 422/552
7,688,207	B2	5/2010	Fritchie et al.		
7,858,031	B2	12/2010	Schutt et al.		
7,947,225	B2	5/2011	Itoh		
8,035,485	B2	10/2011	Fritchie		
8,147,777	B2	4/2012	Schacher et al.		
8,309,036	B2	11/2012	Clark et al.		
D674,507	S *	1/2013	Suzuki	D24/229
D675,338	S *	1/2013	Suzuki	D24/229
8,906,321	B2	12/2014	Arras et al.		
8,939,364	B2	1/2015	Clark et al.		
9,011,802	B2	4/2015	Hagen		
9,117,192	B2	8/2015	Clark et al.		
9,144,801	B2	9/2015	Johnson et al.		
9,149,979	B2	10/2015	Sattler et al.		
2005/0249634	A1	11/2005	Devlin, Sr.		
2009/0129990	A1	5/2009	Kokawa et al.		
2012/0051987	A1	3/2012	Johnson et al.		
2013/0078617	A1	3/2013	Ueda et al.		
2014/0273241	A1	9/2014	Ochranek et al.		
2015/0338429	A1	11/2015	Rousseau et al.		

OTHER PUBLICATIONS

State Intellectual Property Office of China, "Notice of Amendment," issued in connection with Chinese Patent Application for Design No. 201630478567.X, dated Nov. 30, 2016, 1 page.

* cited by examiner

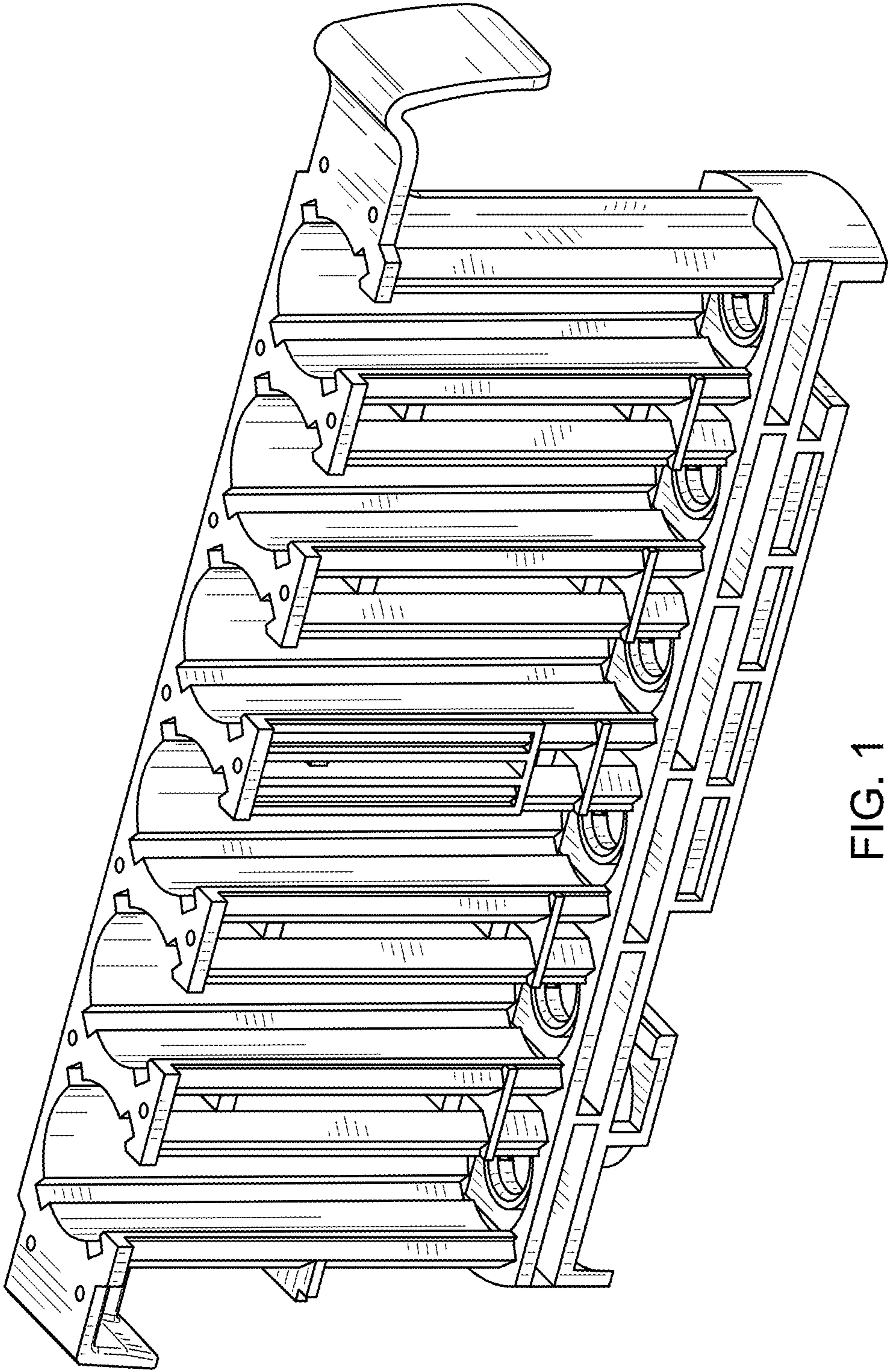


FIG. 1

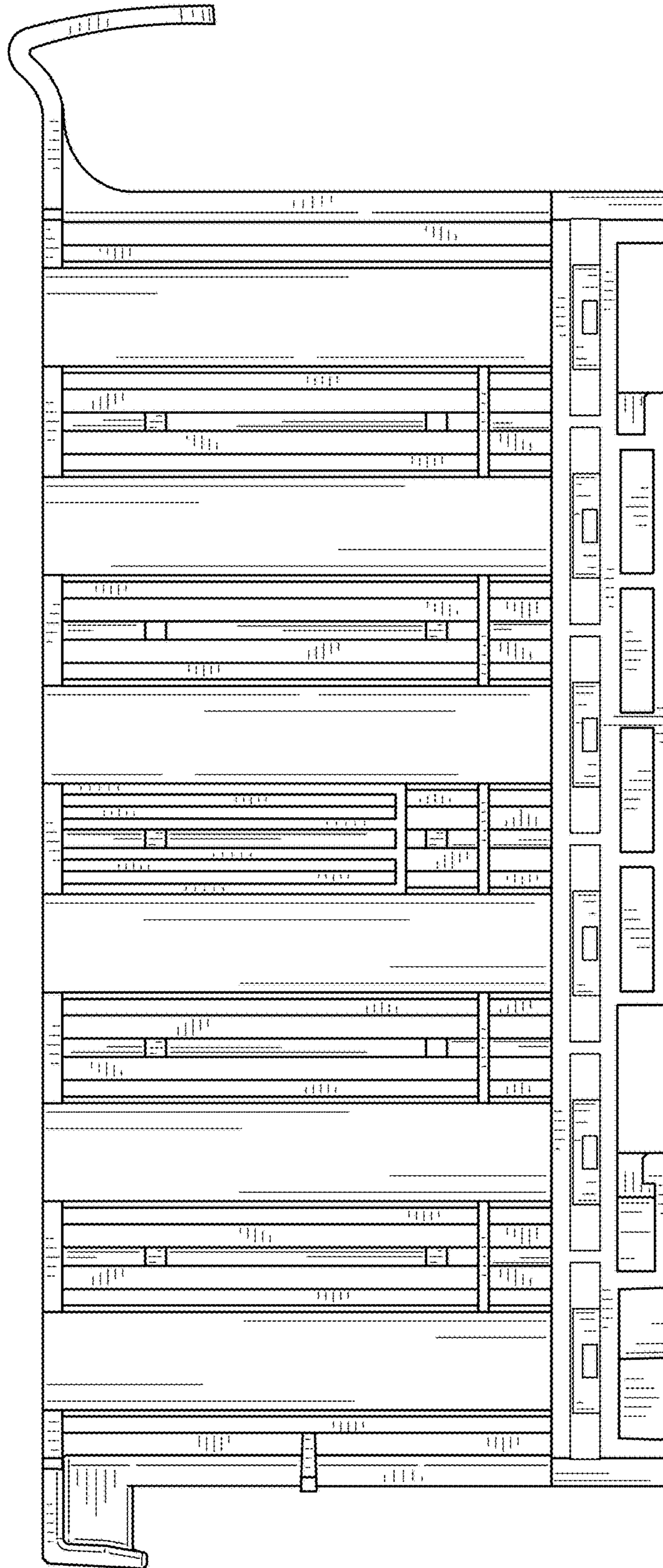


FIG. 2

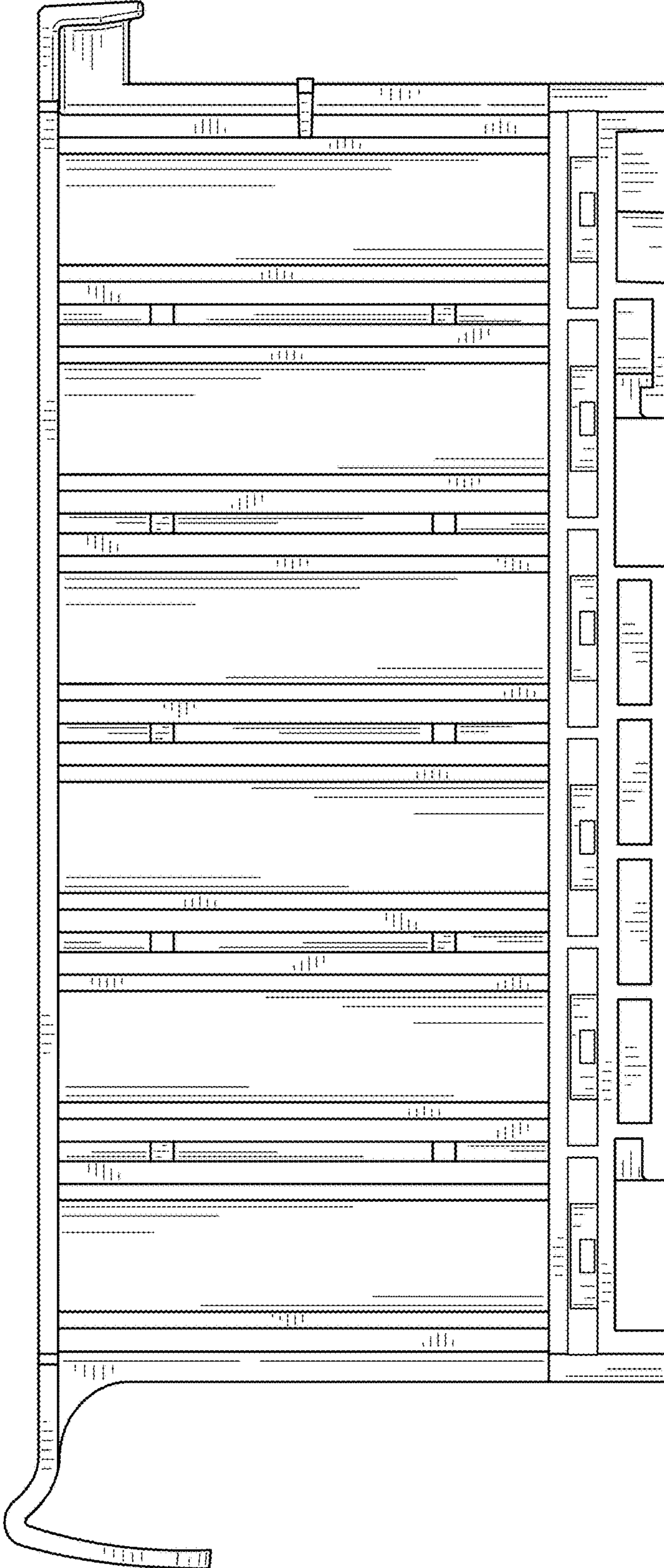


FIG. 3

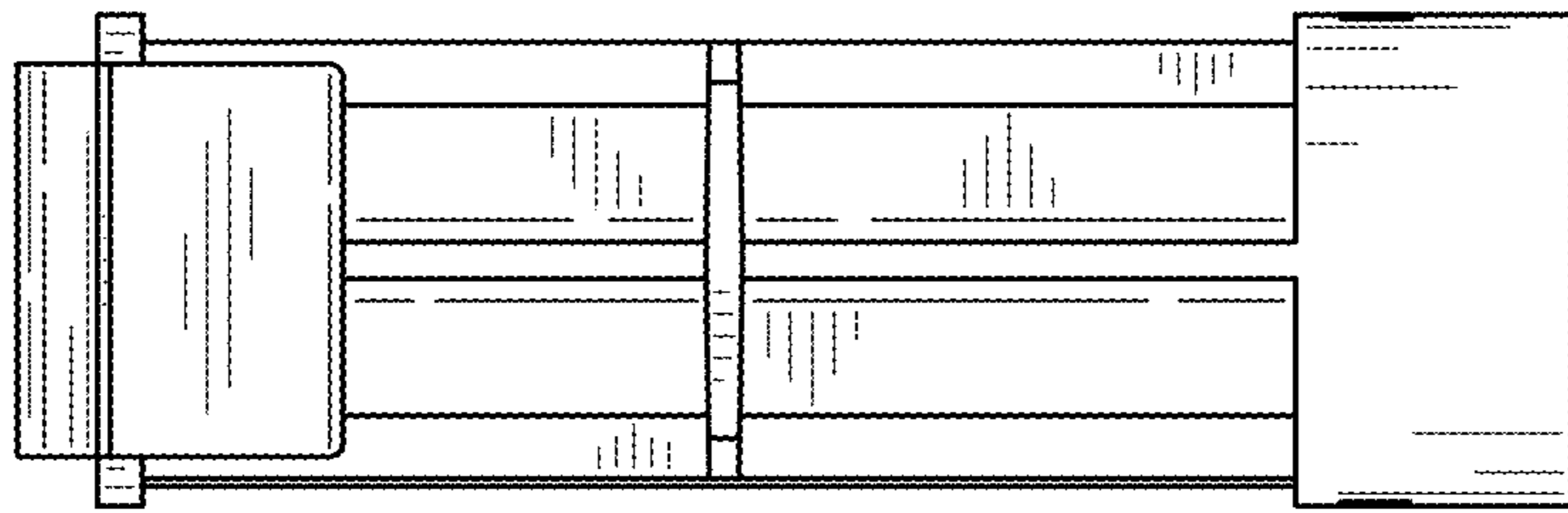


FIG. 5

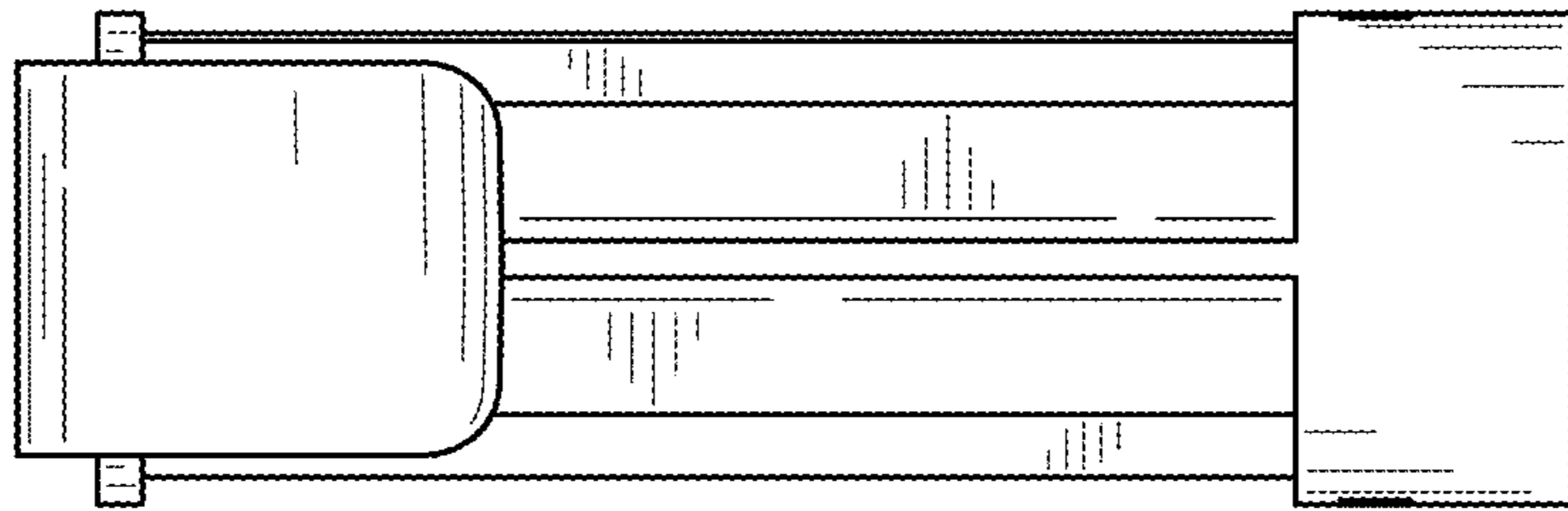


FIG. 4

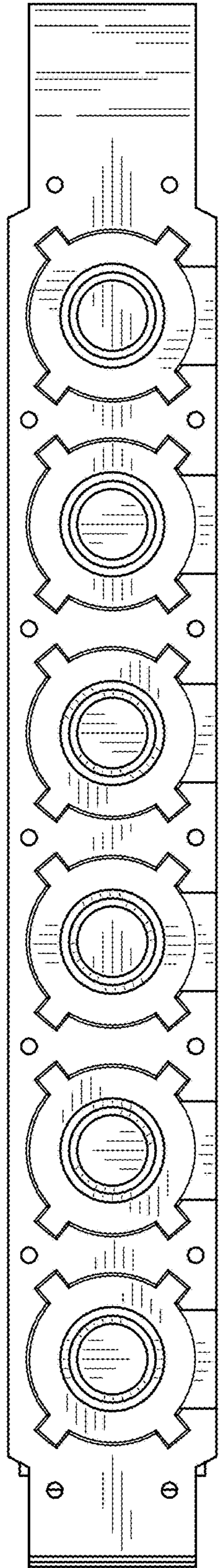


FIG. 6

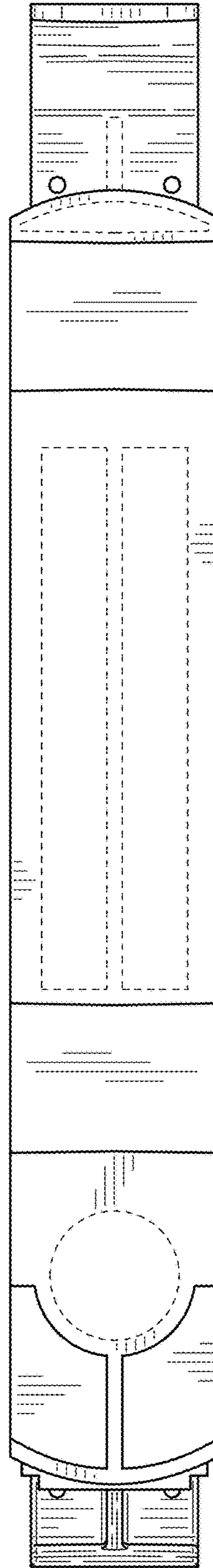


FIG. 7

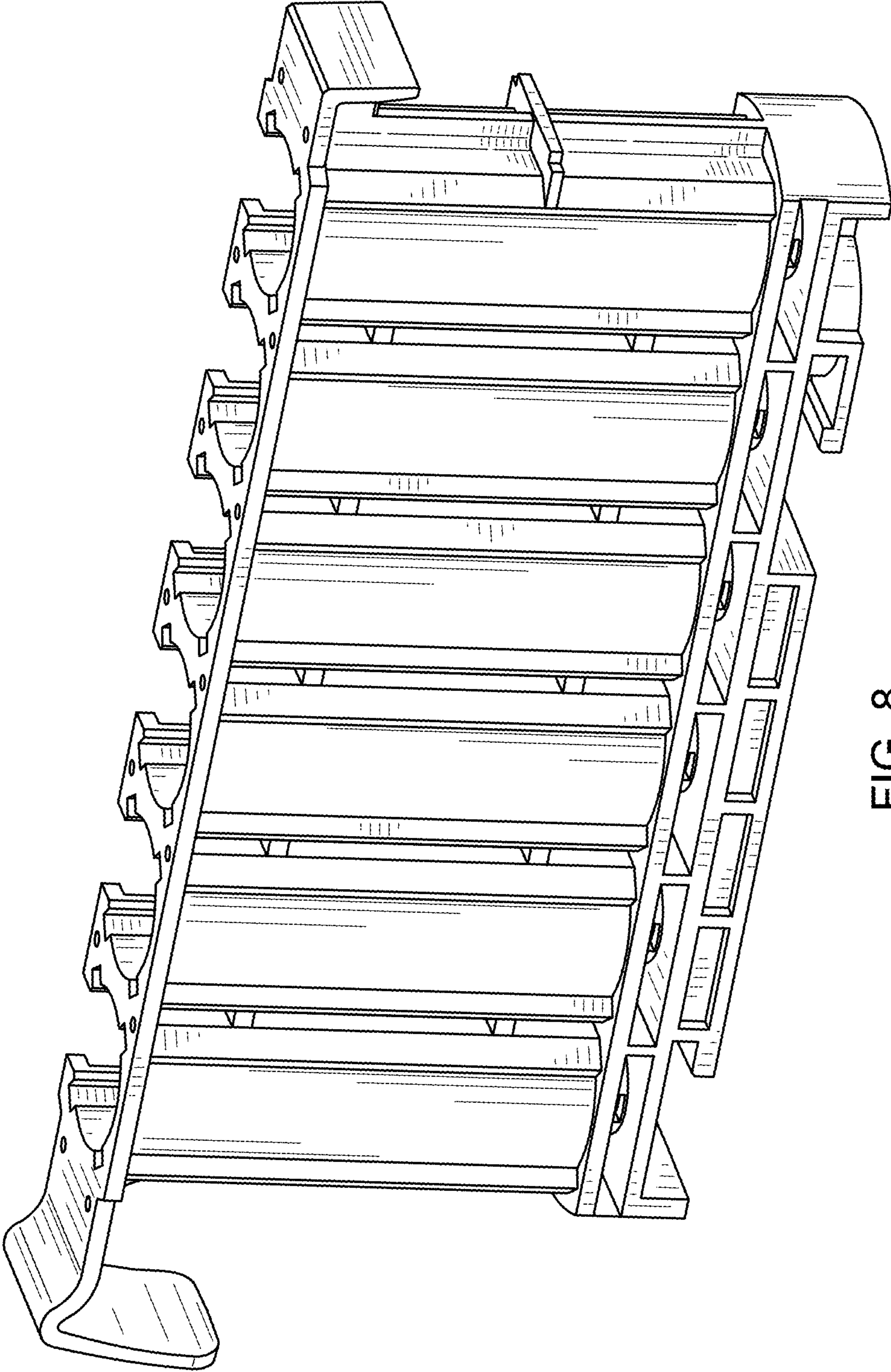


FIG. 8