

US00D837398S

(12) **United States Design Patent** (10) **Patent No.:** **US D837,398 S**  
**Buvala et al.** (45) **Date of Patent:** **\*\* Jan. 1, 2019**

(54) **REHYDRATOR/INOCULATOR DEVICE**

D641,871 S \* 7/2011 Tenger ..... D24/133  
D705,437 S \* 5/2014 Chamberlin ..... D24/216  
2010/0121152 A1\* 5/2010 Boedeker ..... A61B 1/00094  
600/187

(71) Applicant: **Beckman Coulter, Inc.**, Brea, CA (US)

(72) Inventors: **Hannah Rae Buvala**, Munster, IN (US); **Christopher Dallas Griner**, Penryn, CA (US); **Richard Milson**, Citrus Heights, CA (US)

(73) Assignee: **Beckman Coulter, Inc.**, Brea, CA (US)

(\*\*) Term: **15 Years**

(21) Appl. No.: **29/600,884**

(22) Filed: **Apr. 17, 2017**

(51) **LOC (11) Cl.** ..... **24-02**

(52) **U.S. Cl.**

USPC ..... **D24/216**

(58) **Field of Classification Search**

USPC ..... D24/107, 121, 133, 216, 222-230, 233;  
D9/523, 547, 549, 550, 724, 732

CPC ..... B01F 13/0025; B01J 2219/00292; B01J  
2220/64; B01L 3/14; B01L 3/021-3/0237;  
B01L 3/508-3/50825; B01L 3/52-3/523;  
G01F 11/02

See application file for complete search history.

(56) **References Cited**

**U.S. PATENT DOCUMENTS**

D242,729 S \* 12/1976 Kenney ..... D24/222  
D277,314 S \* 1/1985 Alvarez ..... D24/222  
D325,974 S \* 5/1992 Kalmakis ..... D24/222  
6,968,749 B2 \* 11/2005 Chen ..... B01L 3/0227  
422/561  
D596,755 S \* 7/2009 Labak ..... D24/222  
D599,030 S \* 8/2009 Cote ..... D24/222  
D611,598 S \* 3/2010 Tenger ..... D24/133  
D632,787 S \* 2/2011 Tenger ..... D24/133  
D635,273 S \* 3/2011 Malvoisin ..... D24/222  
D635,274 S \* 3/2011 Malvoisin ..... D24/222

**OTHER PUBLICATIONS**

Japanese Office Action, Decision for Registration, dated Feb. 6, 2018 for Design Application No. 2017-022801, 1 pg.

Japanese Office Action, Notification, dated Feb. 6, 2018 for Design Application No. JP 2017-022801, 2 pgs.

\* cited by examiner

*Primary Examiner* — Vy N Koenig

(74) *Attorney, Agent, or Firm* — Frost Brown Todd LLC

(57) **CLAIM**

The ornamental design for a rehydrator/inoculator device, as shown and described.

**DESCRIPTION**

FIG. 1 is a top perspective view of a rehydrator/inoculator device, showing our new design;

FIG. 2 is a bottom perspective view of the rehydrator/inoculator device of FIG. 1;

FIG. 3 is a front elevational view of the rehydrator/inoculator device of FIG. 1;

FIG. 4 is a rear elevational view of the rehydrator/inoculator device of FIG. 1;

FIG. 5 is a right side elevational view of the rehydrator/inoculator device of FIG. 1;

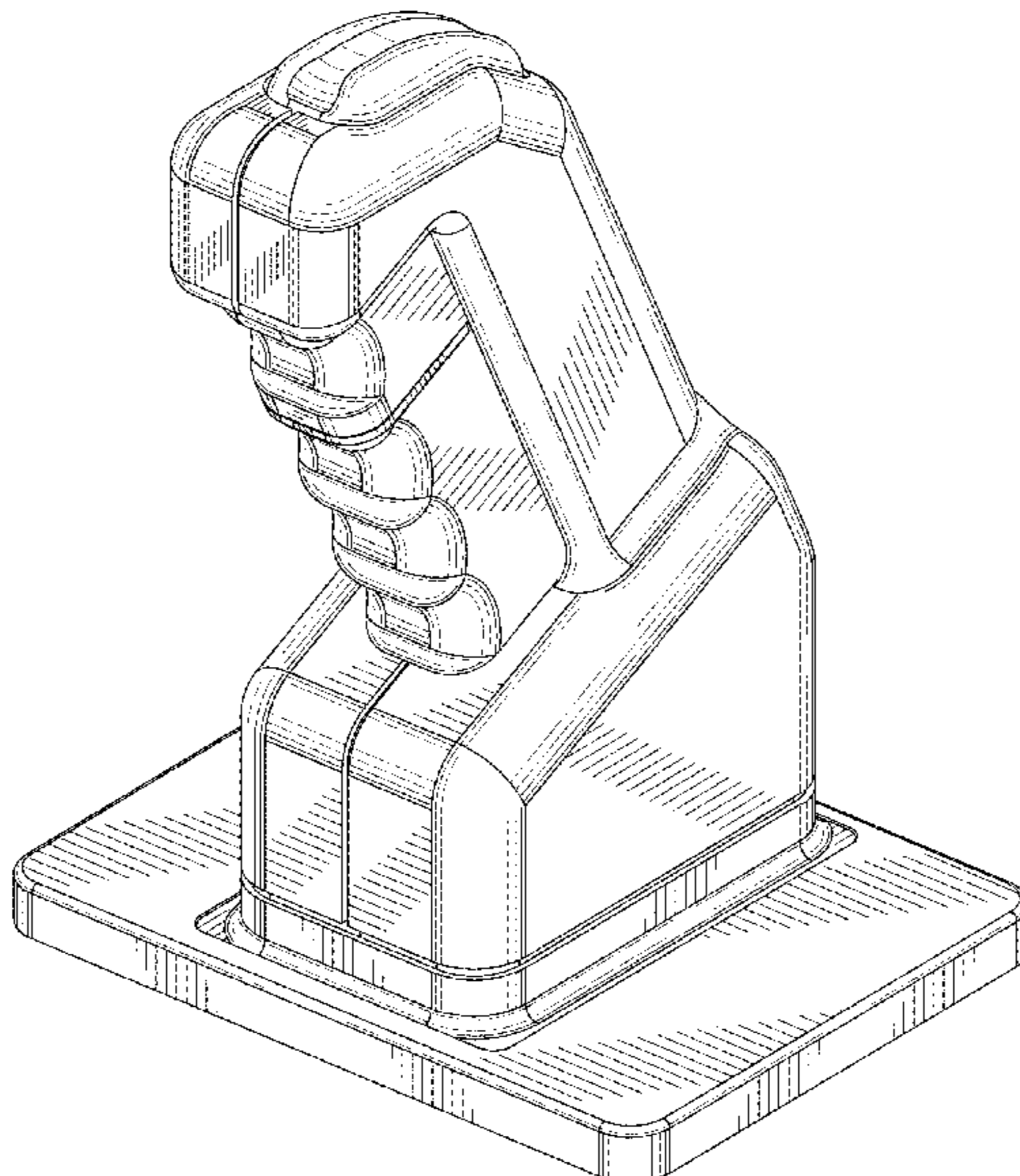
FIG. 6 is a left side elevational view of the rehydrator/inoculator device of FIG. 1;

FIG. 7 is a top plan view of the rehydrator/inoculator device of FIG. 1; and,

FIG. 8 is a bottom plan view of the rehydrator/inoculator device of FIG. 1.

The broken lines in the drawings are included for purposes of illustrating portions of the rehydrator/inoculator device that form no part of the claimed design.

**1 Claim, 8 Drawing Sheets**



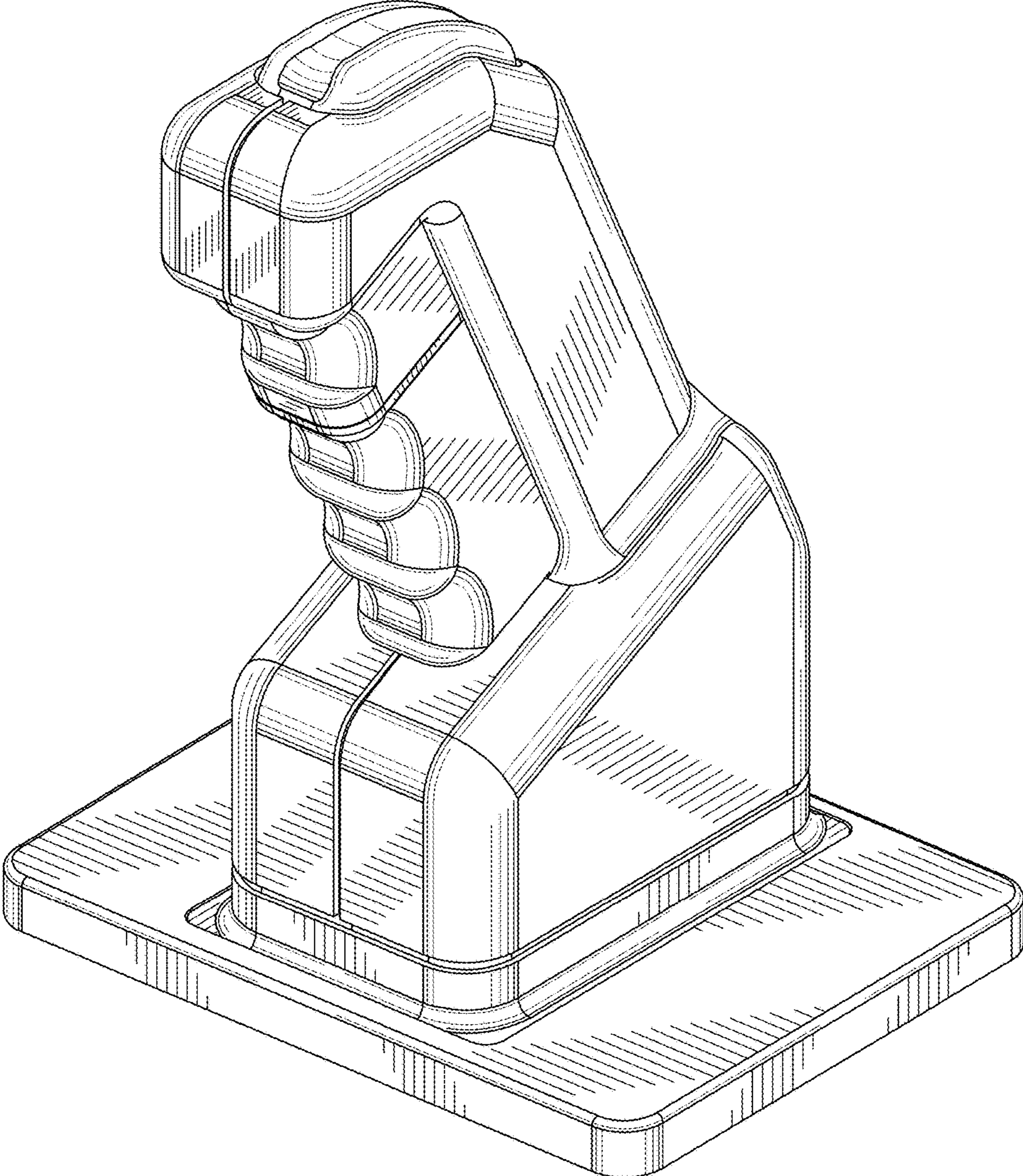


Fig. 1

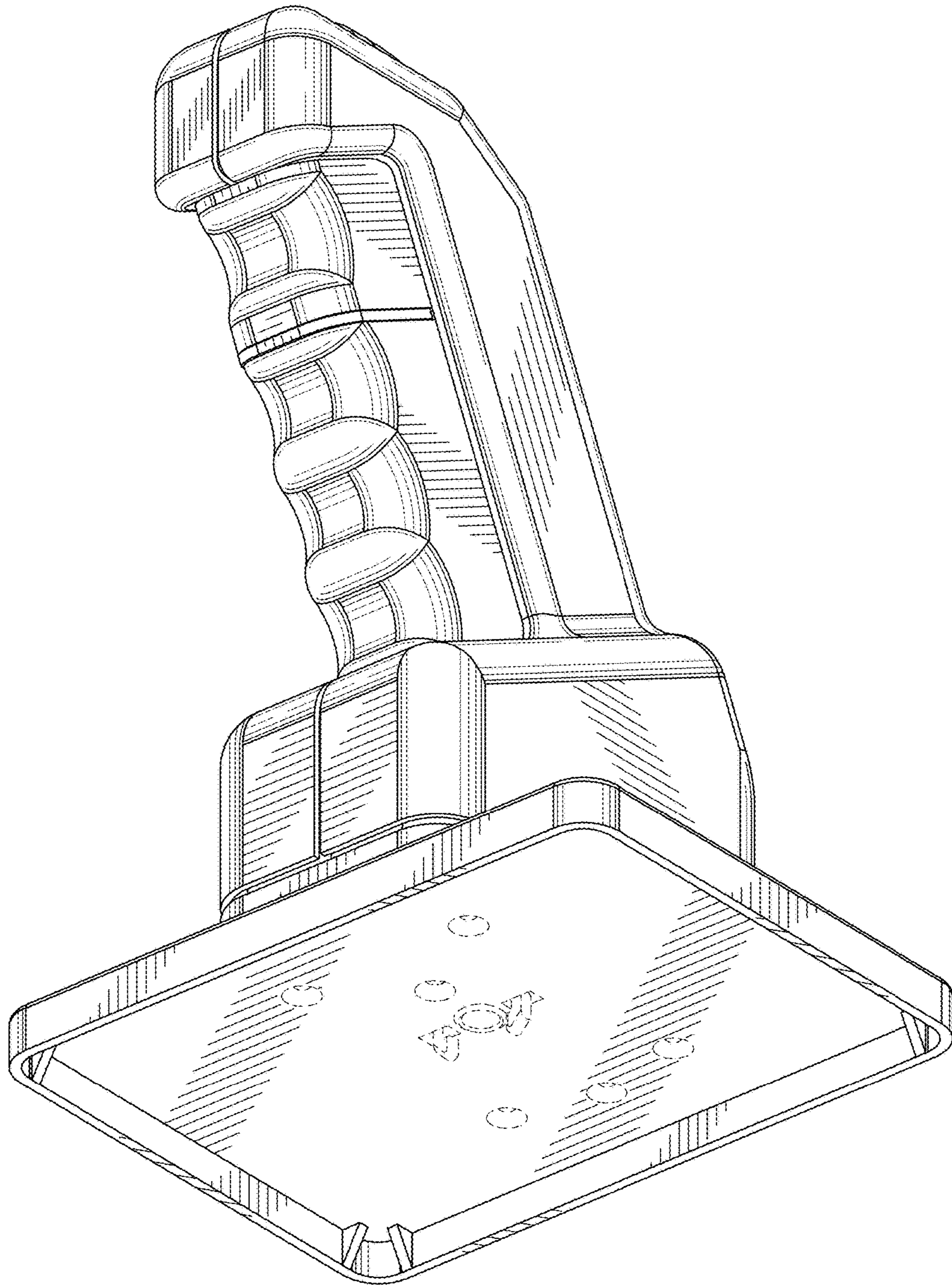


Fig.2

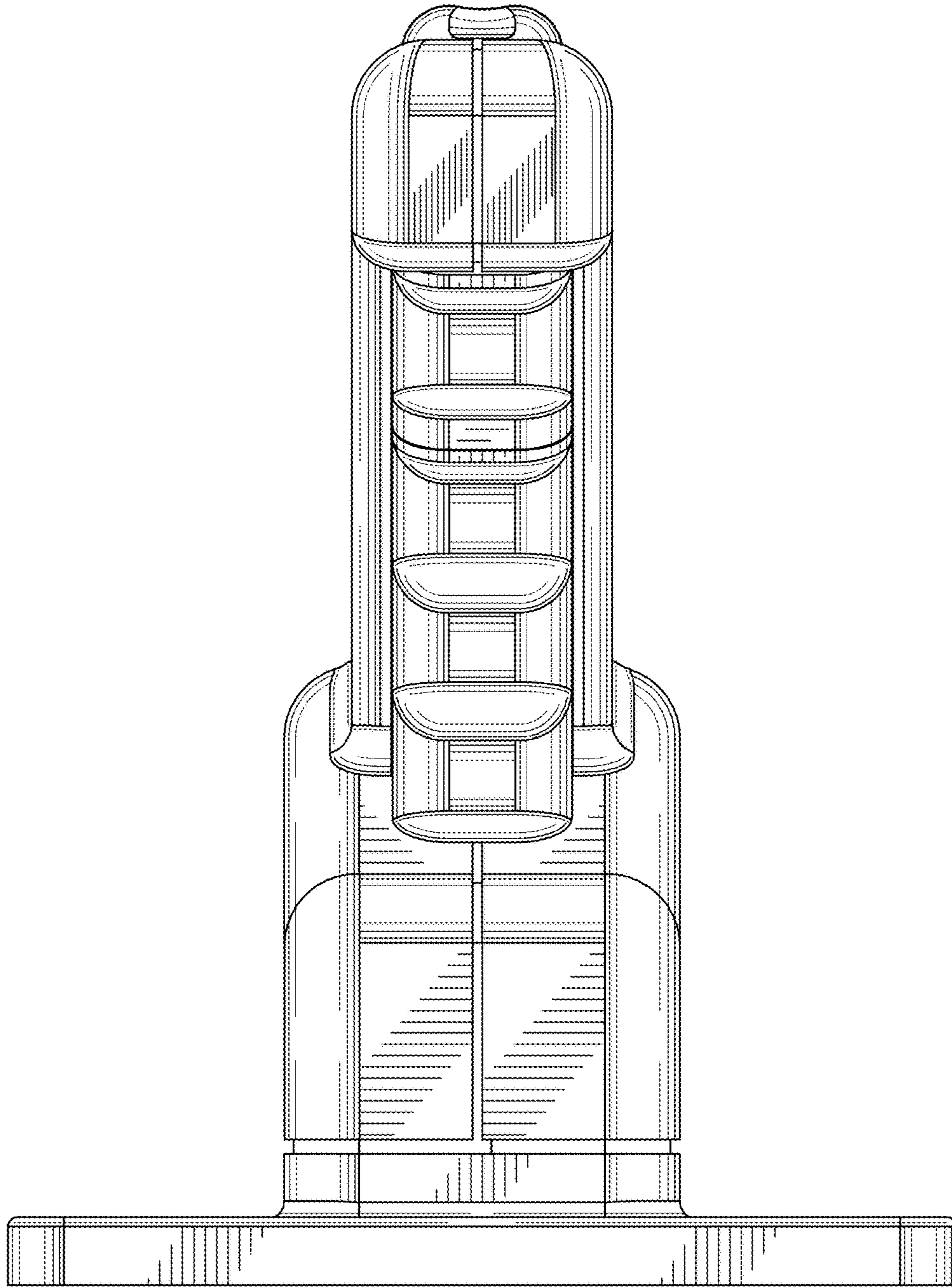


Fig.3

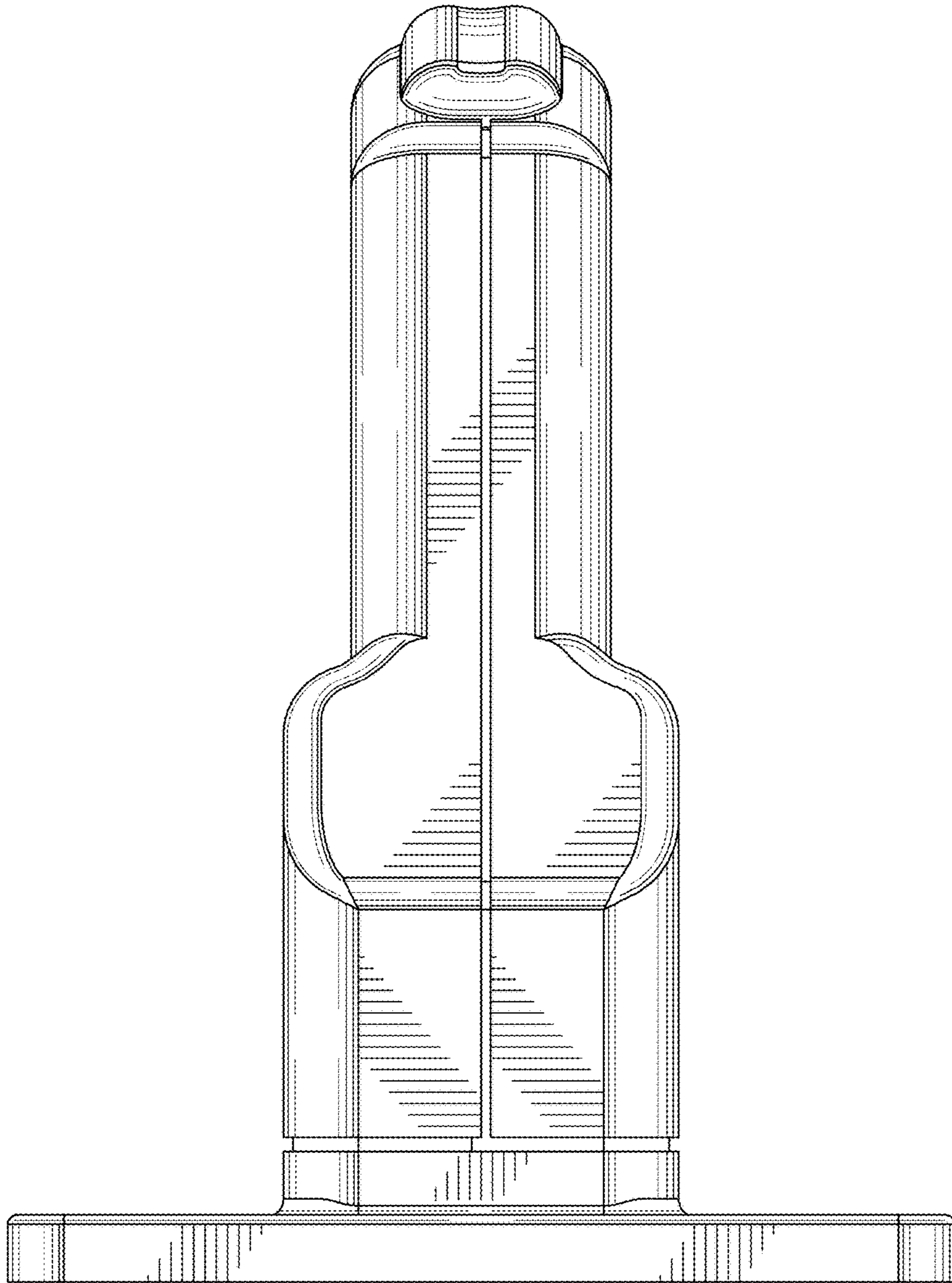


Fig. 4

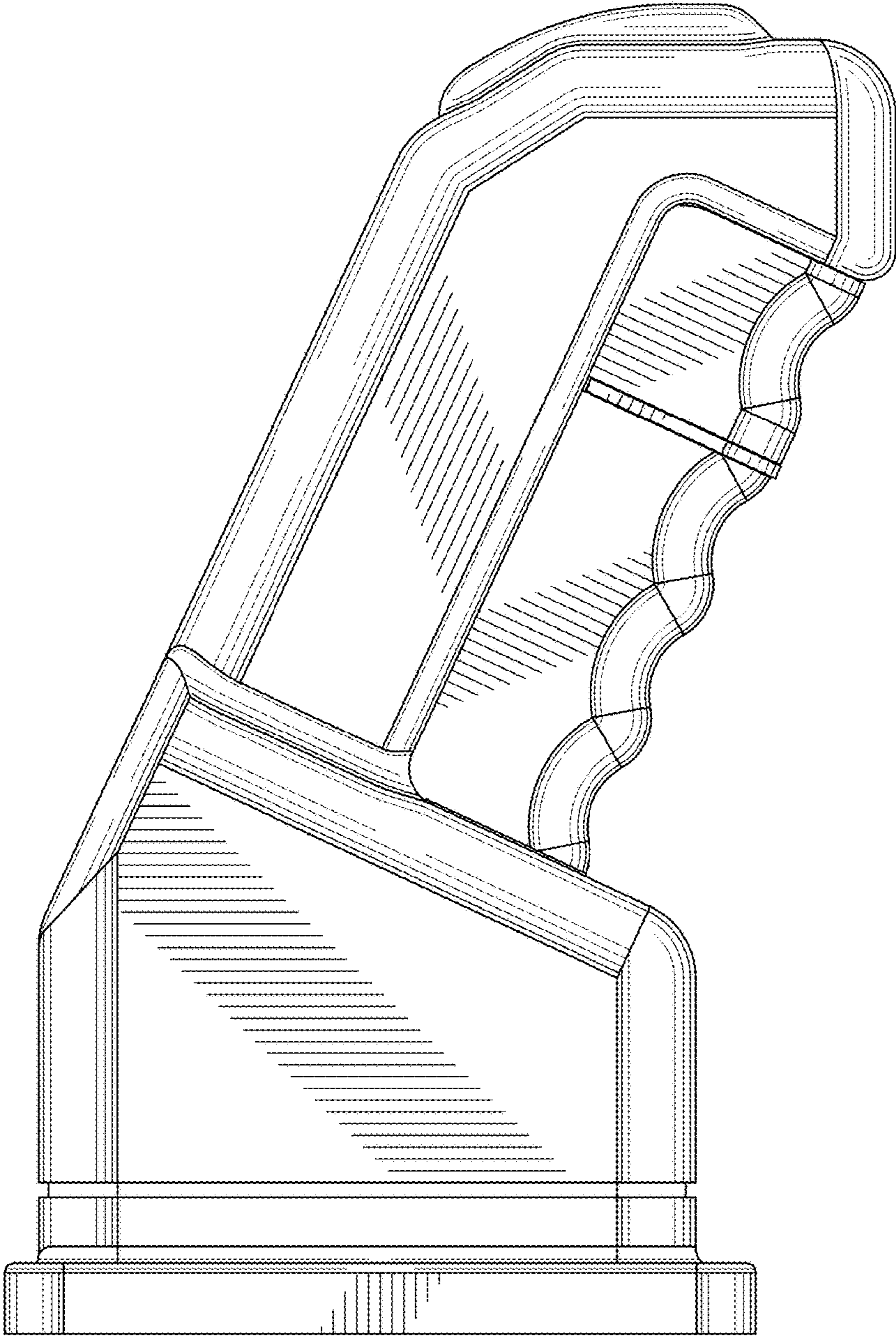


Fig.5

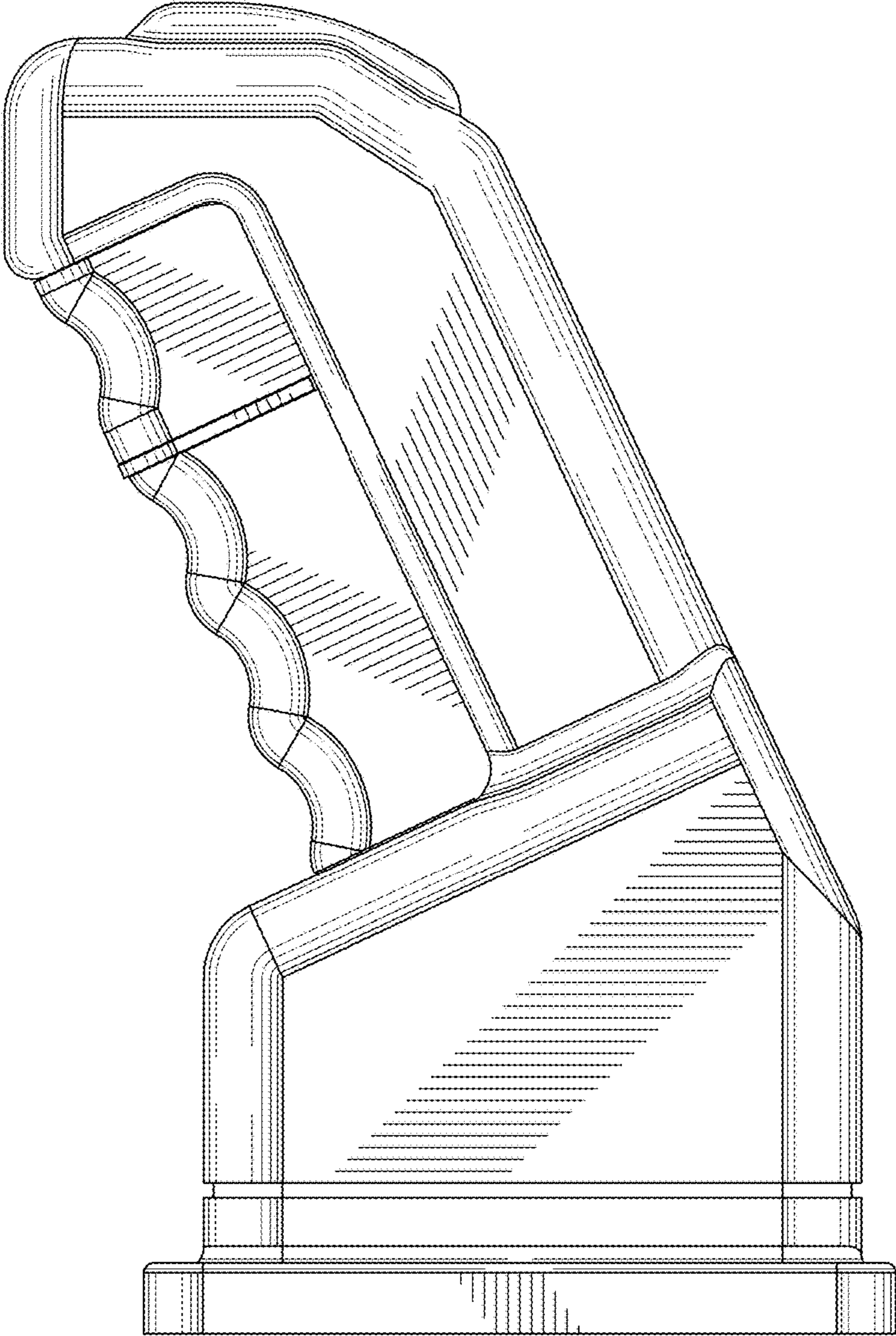


Fig. 6

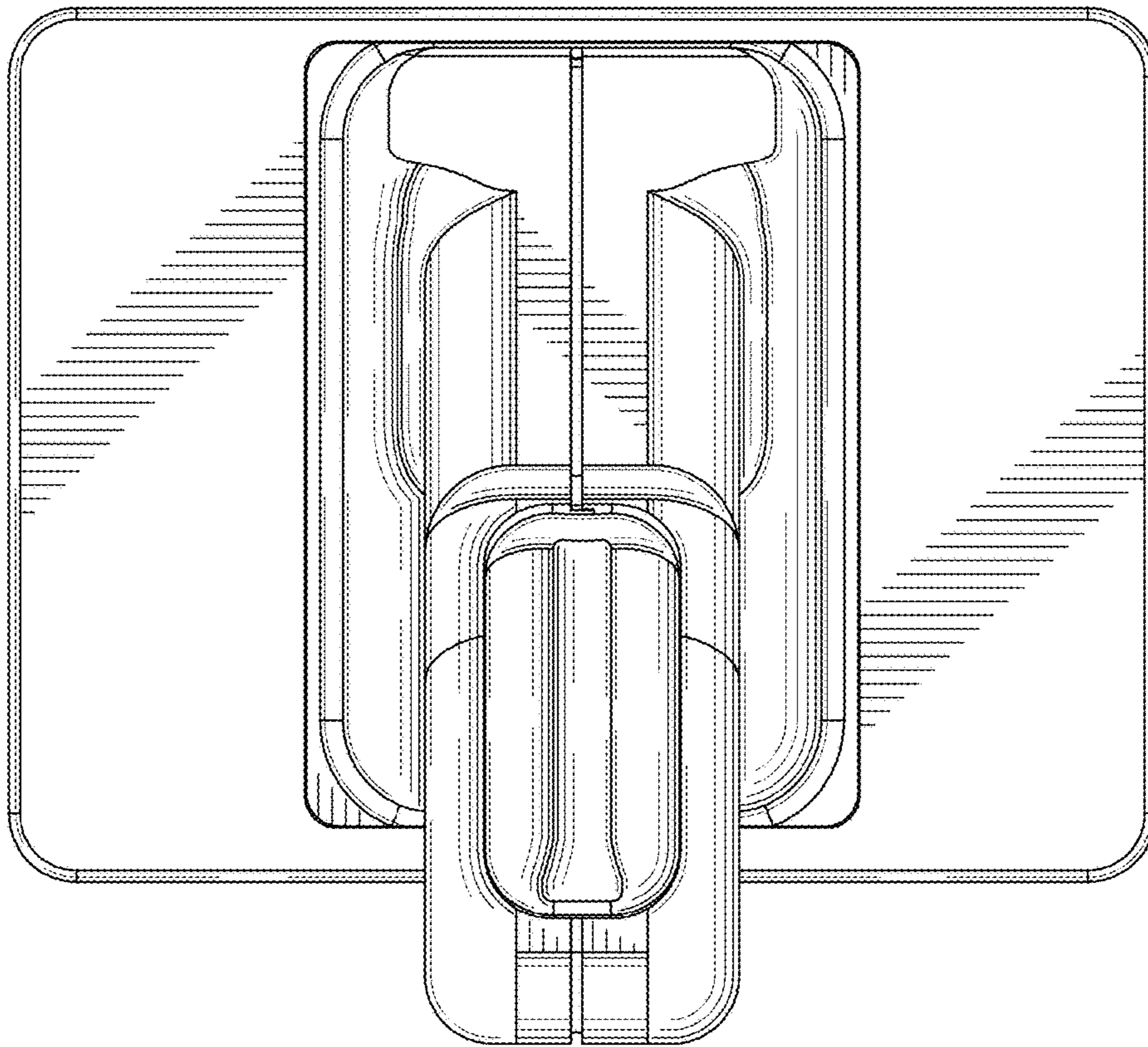


Fig.7



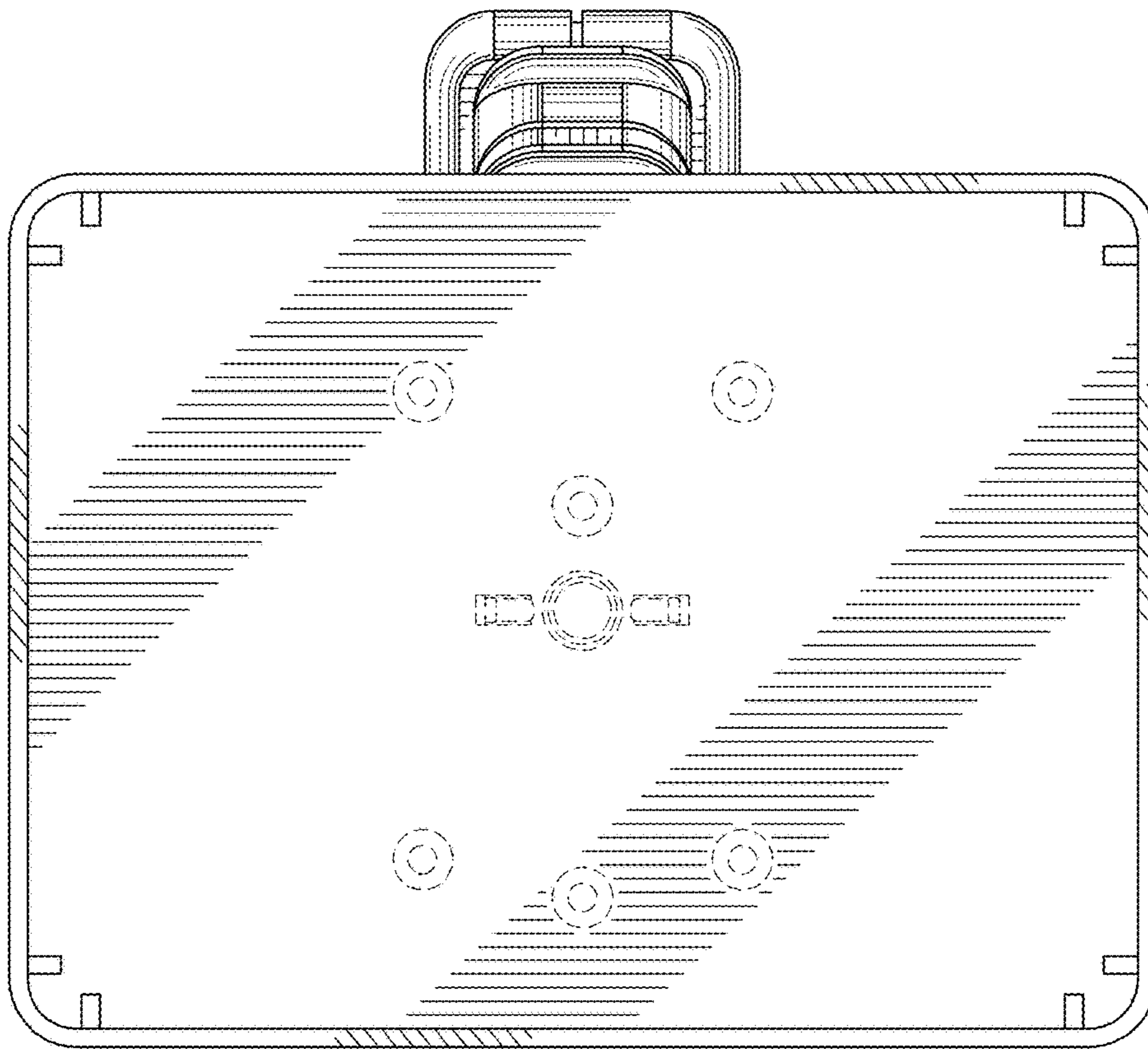


Fig.8