



US00D837390S

(12) **United States Design Patent**
Harada

(10) **Patent No.:** **US D837,390 S**

(45) **Date of Patent:** **** Jan. 1, 2019**

(54) **PROBE FOR AN ULTRASONIC DIAGNOSIS APPARATUS**

D688,376 S * 8/2013 Bartlett D24/187
D692,998 S * 11/2013 Broberg D24/108
D703,332 S * 4/2014 Saeki D24/187
D703,819 S * 4/2014 Moon D24/187

(Continued)

(71) Applicant: **Canon Medical Systems Corporation**,
Otawara-shi, Tochigi (JP)

(72) Inventor: **Rika Harada**, Tokyo (JP)

(73) Assignee: **Canon Medical Systems Corporation**,
Otawara-shi (JP)

FOREIGN PATENT DOCUMENTS

CN 302791147 4/2014
CN 201530319422 * 8/2015

(Continued)

(**) Term: **15 Years**

OTHER PUBLICATIONS

(21) Appl. No.: **29/609,313**

3CRF Ultrasound Probe/Transducer. Online, published date unknown.
Retrieved on Sep. 6, 2018 from URL: <https://one-self.gehealthcare.co.uk/gehcstorefront/p/5196216>.*

(22) Filed: **Jun. 29, 2017**

(30) **Foreign Application Priority Data**

Mar. 30, 2017 (JP) 2017-006581

(51) **LOC (11) Cl.** **24-01**

(52) **U.S. Cl.**
USPC **D24/187**

(58) **Field of Classification Search**
USPC D24/133, 137, 138, 141, 158, 160, 164,
D24/165, 167, 170, 186-187, 200;
D10/57, 60, 78, 80

CPC A61B 8/445; A61B 8/4455; A61B 8/4461;
A61B 8/4483; A61B 8/46; A61B 5/0095
See application file for complete search history.

Primary Examiner — Karen S Acker

Assistant Examiner — Omeed Agilee

(74) *Attorney, Agent, or Firm* — Finnegan, Henderson,
Farabow, Garrett & Dunner LLP

(57) **CLAIM**

The ornamental design for a probe for an ultrasonic diagnosis apparatus, as shown and described.

DESCRIPTION

FIG. 1 is a first perspective view of a probe for an ultrasonic diagnosis apparatus showing my new design; FIG. 2 is a second perspective view thereof; FIG. 3 is a front elevational view thereof; FIG. 4 is a rear elevational view thereof; FIG. 5 is a top plan view thereof; FIG. 6 is a bottom plan view thereof; FIG. 7 is a left side elevational view thereof; and, FIG. 8 is a right side elevational view thereof.

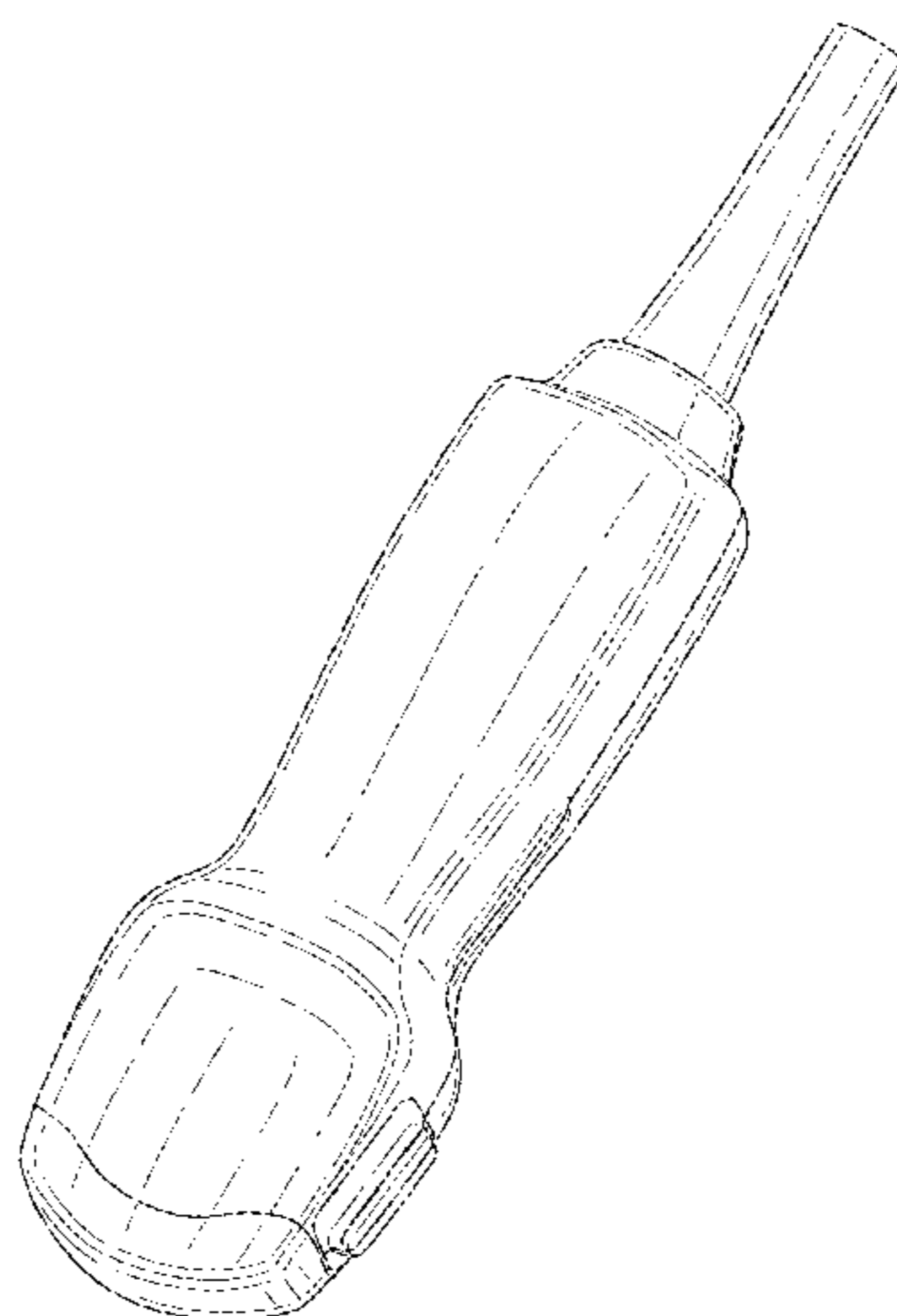
The broken lines and areas within them depict portions of the probe for an ultrasonic diagnosis apparatus that form no part of the claimed design.

1 Claim, 4 Drawing Sheets

(56) **References Cited**

U.S. PATENT DOCUMENTS

D387,867 S * 12/1997 Henderson D24/187
6,436,050 B2 * 8/2002 Garrison B25F 5/02
600/459
D540,208 S * 4/2007 Mobley D10/81
D545,433 S * 6/2007 Messerly D24/158
D622,401 S * 8/2010 Suzuki D24/186
D681,825 S 5/2013 Shinohara et al.
D681,827 S 5/2013 Shinohara et al.
D681,828 S 5/2013 Shinohara et al.



(56)

References Cited

U.S. PATENT DOCUMENTS

D703,821 S * 4/2014 Moon D24/187
D704,844 S 5/2014 Saeki
D715,430 S * 10/2014 Yu D24/130
D745,175 S * 12/2015 Kitayama D24/187
D745,972 S * 12/2015 Kitayama D24/187
D746,995 S * 1/2016 Matsumura D24/187
D749,224 S * 2/2016 Iritani D24/187
D754,357 S * 4/2016 Lindekugel D24/187
D790,713 S * 6/2017 Rezzonico D24/187
D811,606 S * 2/2018 Kitayama D24/187
D811,607 S * 2/2018 Kitayama D24/187
D811,608 S * 2/2018 Kitayama D24/187
D822,837 S * 7/2018 Naka D24/187
2015/0320402 A1 * 11/2015 Ryu A61B 8/4411
600/443

FOREIGN PATENT DOCUMENTS

CN 303936878 11/2016
JP D1128470 12/2001
JP D1166141 2/2003
JP D1458591 1/2013
JP D1458933 1/2013
JP D1499369 6/2014
JP D1563113 11/2016
KR 30-0631494 1/2013

* cited by examiner

Fig. 1

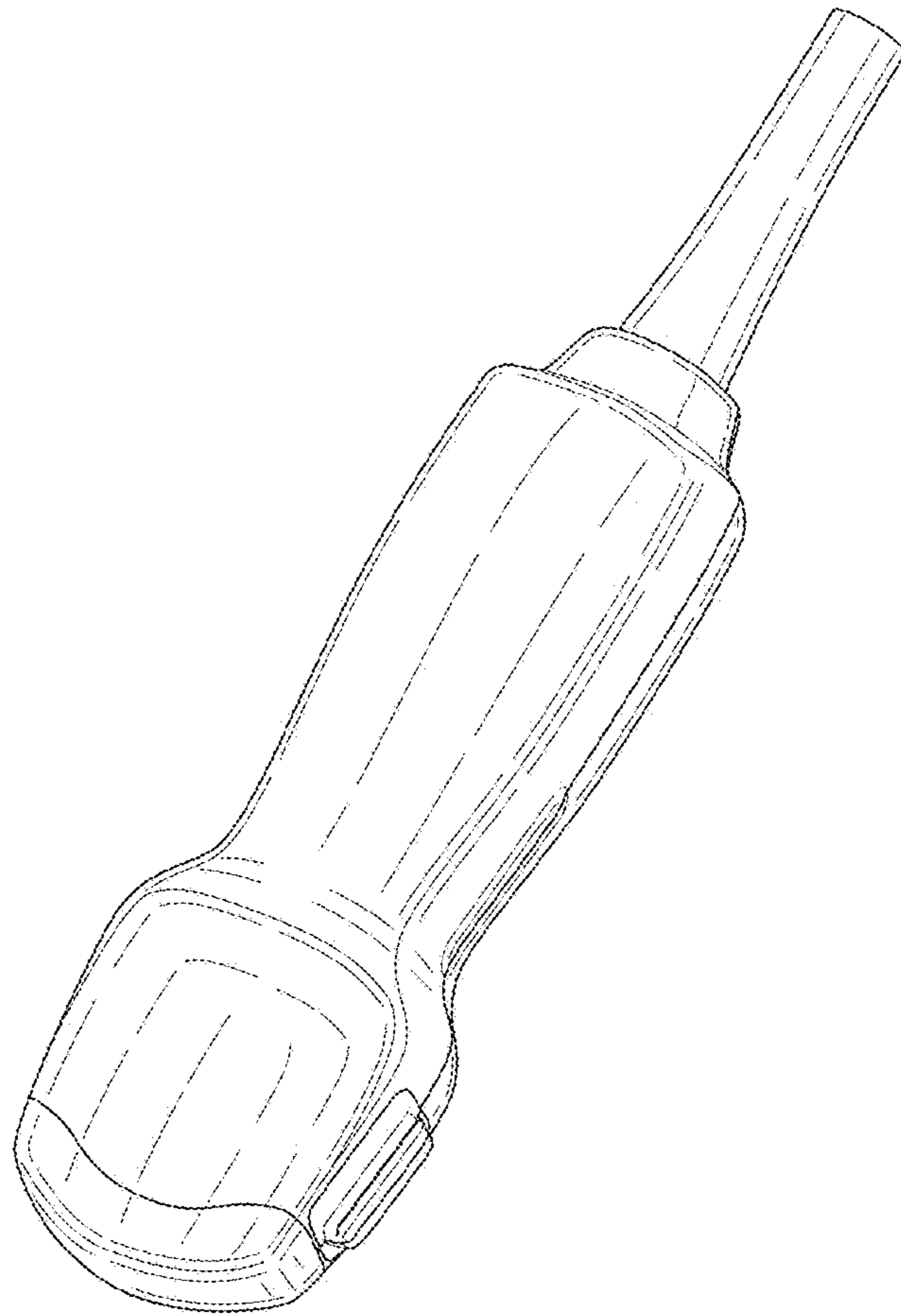


Fig. 2

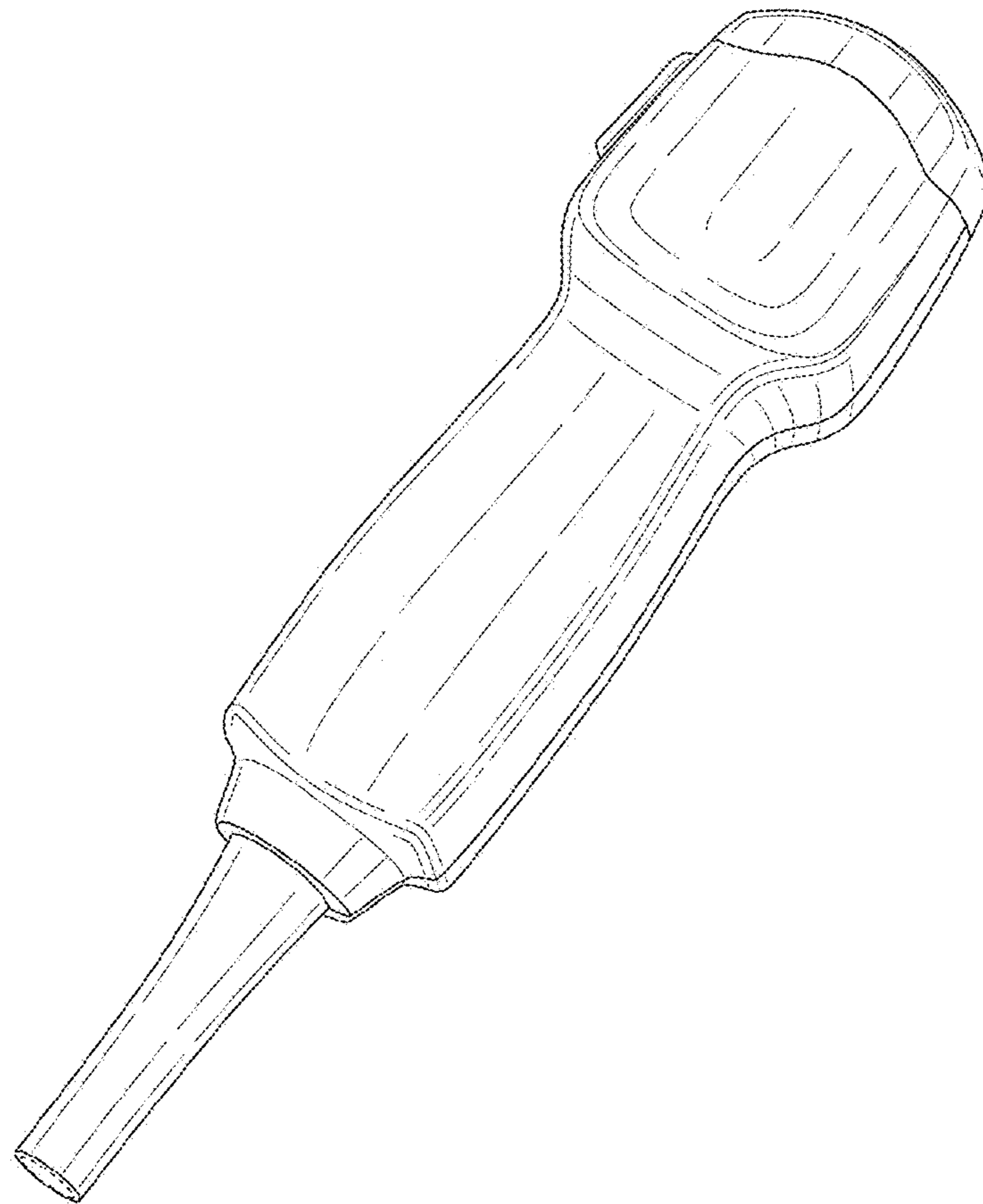


Fig. 3

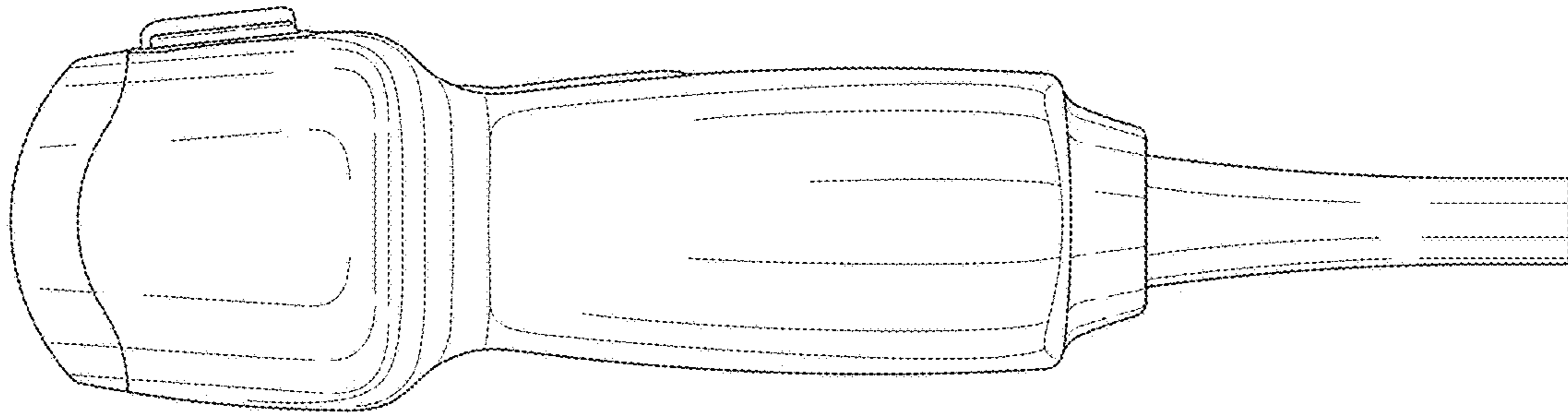


Fig. 4

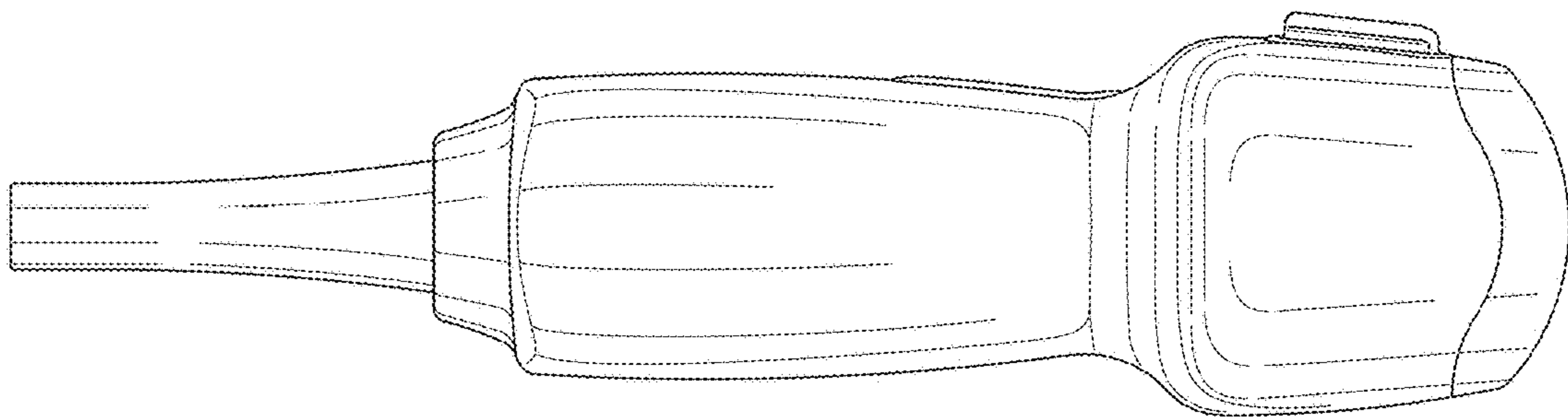


Fig. 5

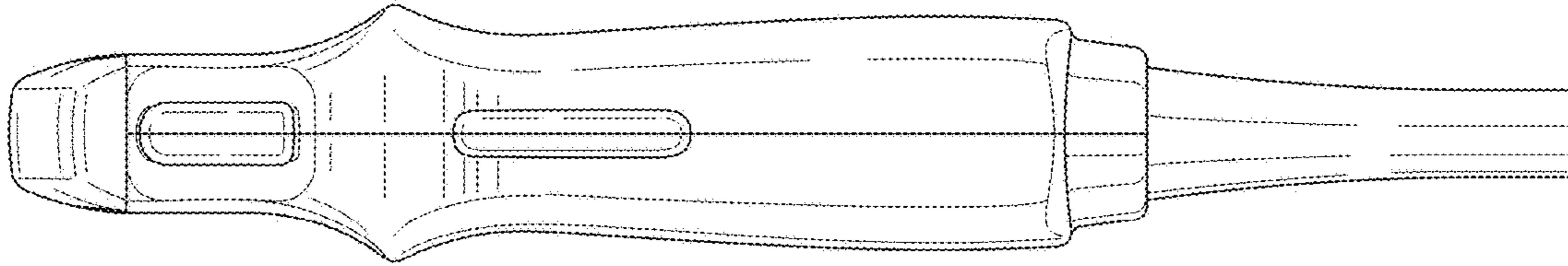


Fig. 6

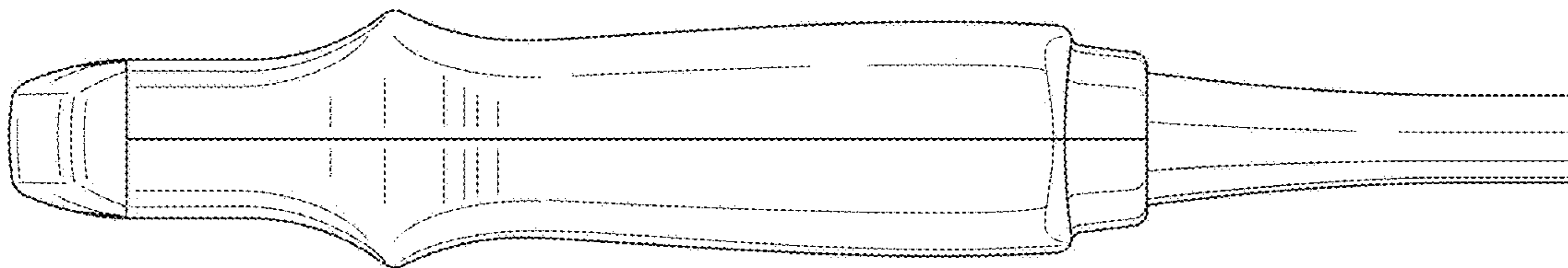


Fig. 7

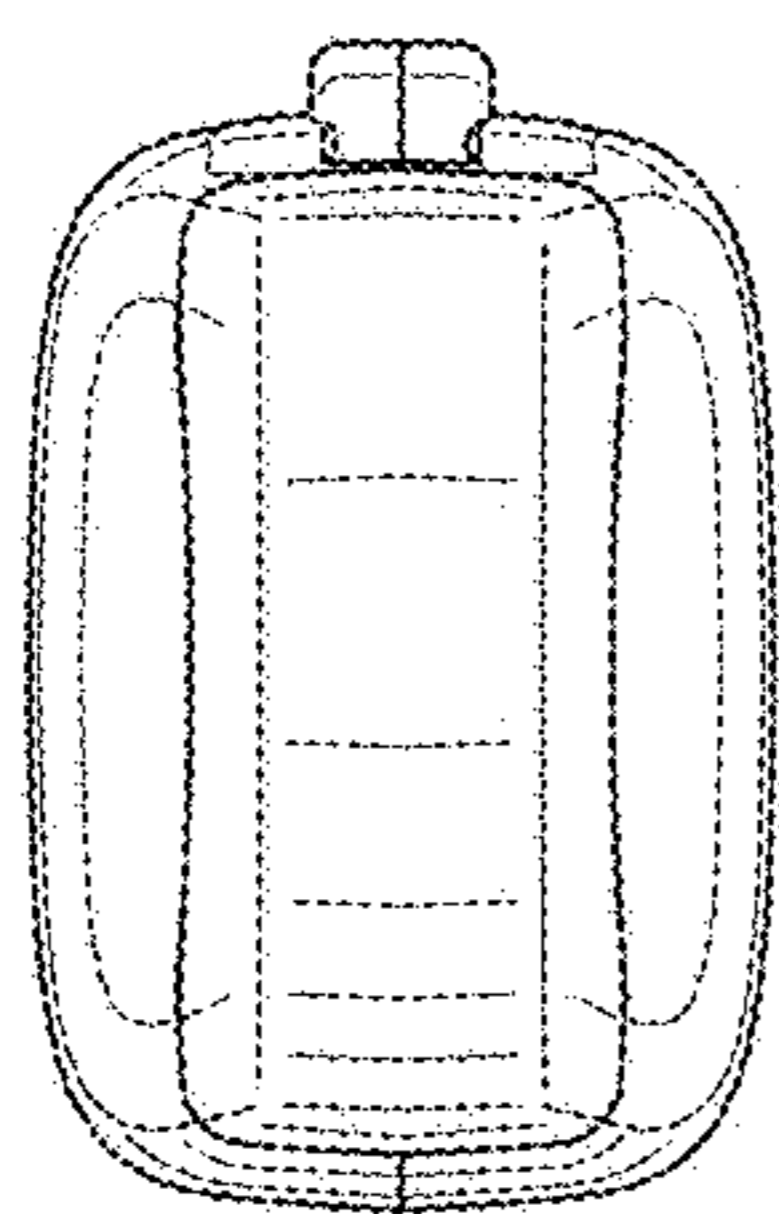


Fig. 8

