

US00D837388S

(12) **United States Design Patent** (10) **Patent No.:** **US D837,388 S**
DaCosta et al. (45) **Date of Patent:** **** Jan. 1, 2019**

(54) **HANDHELD DEVICE**

FOREIGN PATENT DOCUMENTS

(71) Applicant: **MolecuLight, Inc.**, Toronto (CA)

EM 000685813-0002 3/2007
EM 000883749-0001 3/2008

(Continued)

(72) Inventors: **Ralph DaCosta**, Etobicoke (CA);
Craig Kennedy, Hickory, NC (US);
Catherine Theodoropoulos, Toronto
(CA); **Nitesh Mistry**, Markham (CA);
Danielle Starr, Toronto (CA); **Todd**
Daynes, Aurora (CA); **Todd Meaney**,
Thornhill (CA); **Liis Teene**, Toronto
(CA); **Christopher Aiston**, Mont
Vernon, NH (US); **Sarah Reed**,
Louisville, CO (US); **Bob McCaffrey**,
Hillsborough, NH (US); **Art**
Rousmaniere, Andover, MA (US); **José**
Wong, Bedord, NH (US)

OTHER PUBLICATIONS

MolecuLight I:X. Moleculight Inc. Date not available.*

Primary Examiner — Anhdao Doan

(74) *Attorney, Agent, or Firm* — Jones Robb, PLLC

(57) **CLAIM**

The ornamental design for a handheld device, as shown and described.

DESCRIPTION

The patent or application file contains at least one drawing executed in color. Copies of this patent or patent application publication with color drawing(s) will be provided by the Office upon request and payment of the necessary fee.

FIG. 1 is a front perspective view of a first embodiment of a handheld device showing our new design.

FIG. 2 is back perspective view thereof.

FIG. 3 is another back perspective view thereof.

FIG. 4 is a front view thereof.

FIG. 5 is a back view thereof.

FIG. 6 is a right side view thereof.

FIG. 7 is a left side view thereof.

FIG. 8 is a top view thereof.

FIG. 9 is a bottom view thereof.

FIG. 10 is a front perspective view of a second embodiment of a handheld device showing our new design.

FIG. 11 is a back perspective view thereof.

FIG. 12 is another back perspective view thereof.

FIG. 13 is a front view thereof.

FIG. 14 is a back view thereof.

FIG. 15 is a right side view thereof

FIG. 16 is a left side view thereof.

FIG. 17 is a top view thereof.

FIG. 18 is a bottom view thereof.

(Continued)

(73) Assignee: **MOLECULIGHT, INC.**, Toronto, ON (CA)

(**) Term: **15 Years**

(21) Appl. No.: **29/505,784**

(22) Filed: **Feb. 8, 2016**

(51) **LOC (11) Cl.** **24-01**

(52) **U.S. Cl.**
USPC **D24/186**

(58) **Field of Classification Search**
USPC D24/158–160, 186, 107, 137, 185;
D10/78

(Continued)

(56) **References Cited**

U.S. PATENT DOCUMENTS

D424,029 S 5/2000 Collins
D461,185 S 8/2002 Ando

(Continued)

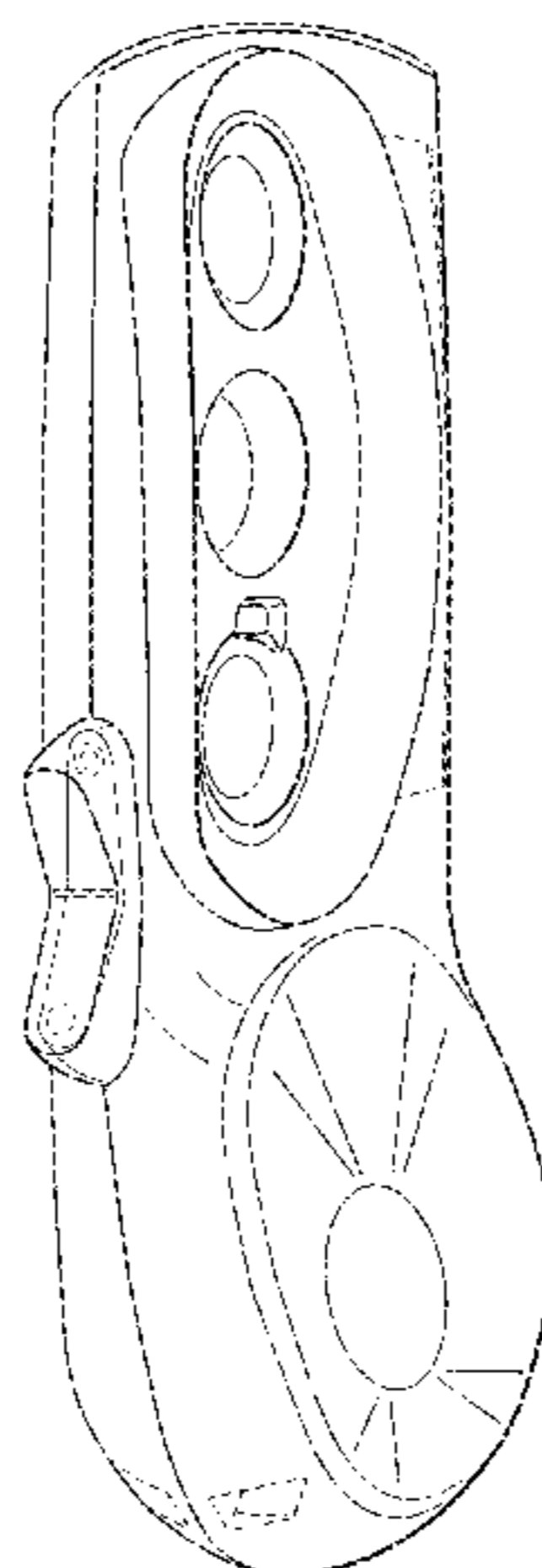


FIG. 19 is a front perspective view of a third embodiment of a handheld device showing our new design.

FIG. 20 is a back perspective thereof.

FIG. 21 is another back perspective view thereof.

FIG. 22 is a front view thereof.

FIG. 23 is a back view thereof.

FIG. 24 is a right side view thereof.

FIG. 25 is a left side view thereof.

FIG. 26 is a top view thereof; and,

FIG. 27 is a bottom view thereof.

The broken lines shown in FIGS. 1-9 illustrate portions of the handheld device that form no part of the claimed design.

The broken ones shown in FIGS. 10-27 are included for the purposes of illustrating environment and form no part of the claimed design.

The white portions in FIGS. 10-18 indicate a contrast in the appearance of the handheld device.

**1 Claim, 21 Drawing Sheets
(13 of 21 Drawing Sheet(s) Filed in Color)**

(58) Field of Classification Search

CPC ... A61B 5/0059; A61B 5/0066; A61B 5/0071;
A61B 5/0077; A61B 5/445; G01N
21/6456; G01N 21/6458; G01N 21/631

See application file for complete search history.

(56) References Cited

U.S. PATENT DOCUMENTS

D461,895 S 8/2002 Barnes et al.
D462,446 S 9/2002 Felix et al.
D484,600 S 12/2003 Kaar et al.
D495,418 S 8/2004 Rounds et al.
D534,445 S 1/2007 Kaushal et al.
D545,436 S 6/2007 Padain

D546,458 S 7/2007 Hannant
D549,830 S 8/2007 Behar et al.
D550,364 S 9/2007 Glover et al.
D557,422 S 12/2007 Arbogast et al.
D601,257 S 9/2009 Berlinger et al.
D606,659 S 12/2009 Kiani et al.
D612,275 S 3/2010 Salter et al.
D621,515 S 8/2010 Chua et al.
D622,393 S 8/2010 Gatrall et al.
D623,754 S 9/2010 Tuhkanen
D633,502 S 3/2011 Alegiani
D659,840 S * 5/2012 Cheng D24/137
D663,421 S 7/2012 Steiner et al.
D684,490 S 6/2013 Nelson et al.
D684,491 S 6/2013 Confield et al.
D699,853 S 2/2014 Confield et al.
D701,781 S 4/2014 Chen et al.
D724,216 S * 3/2015 Gant D24/158
9,042,967 B2 * 5/2015 Dacosta A61B 5/0059
600/476
D740,945 S * 10/2015 Booth D24/158
D753,308 S * 4/2016 Marinkovich D24/158
D769,447 S * 10/2016 Choumach D24/158
D775,360 S * 12/2016 Berg D24/186
D790,708 S * 6/2017 Personelli D24/158

FOREIGN PATENT DOCUMENTS

EM 001720046-0003 7/2010
EM 002101980-0001 9/2012
FR 062591-0001 11/2006
ID 78051 2/1996
ID 110267 1/2007
ID 126577 1/2009
ID 127921 9/2009
ID 143092 6/2012
ID 150134 1/2014
ID 154985 11/2014
RU 57295 7/2005
RU 77626 2/2011
SE 69788-0001 11/2003

* cited by examiner

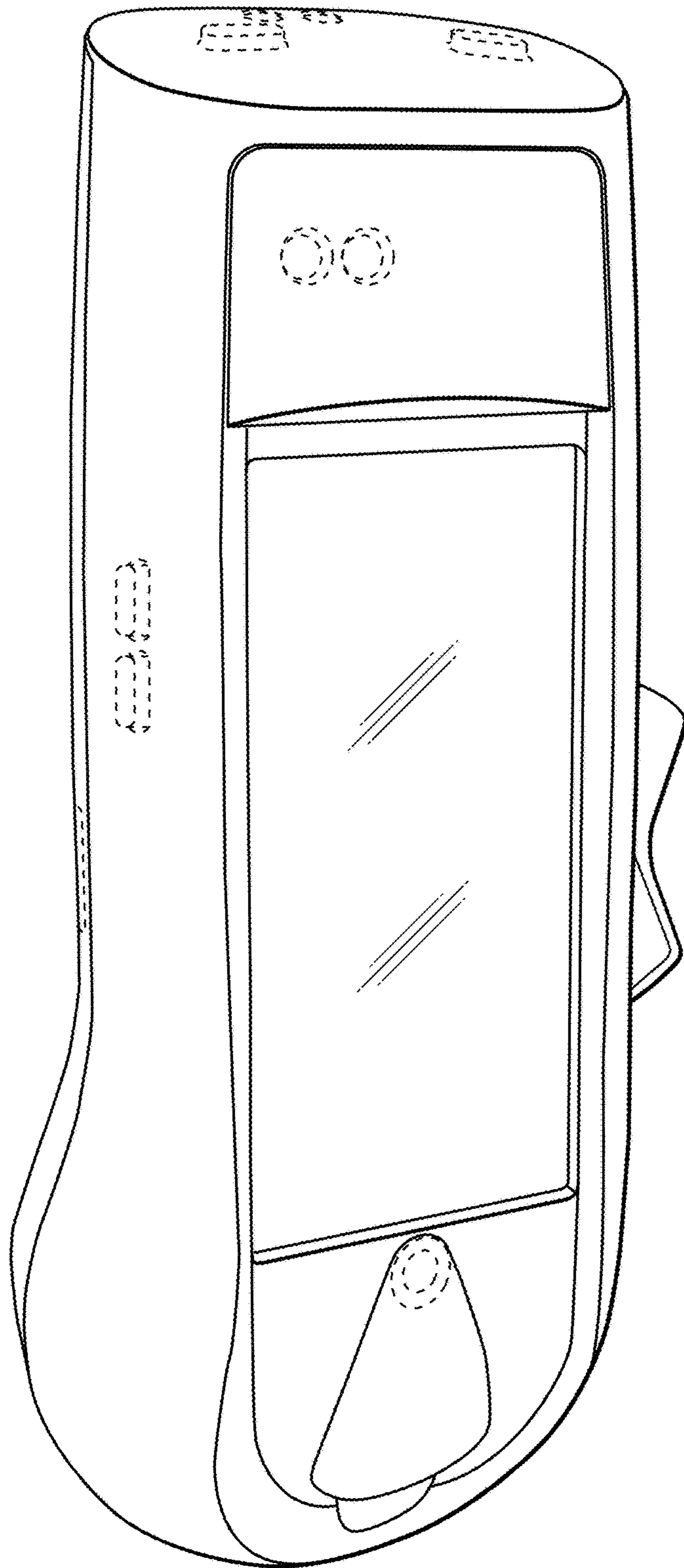


FIG. 1

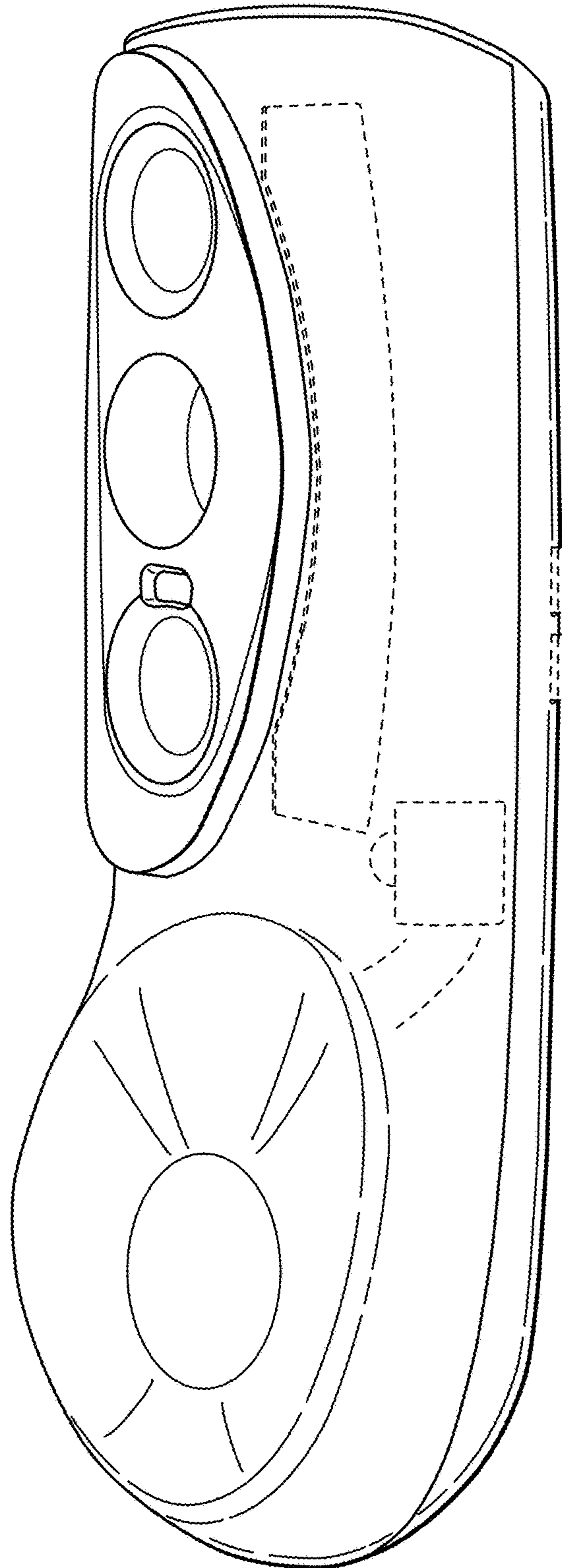


FIG. 2

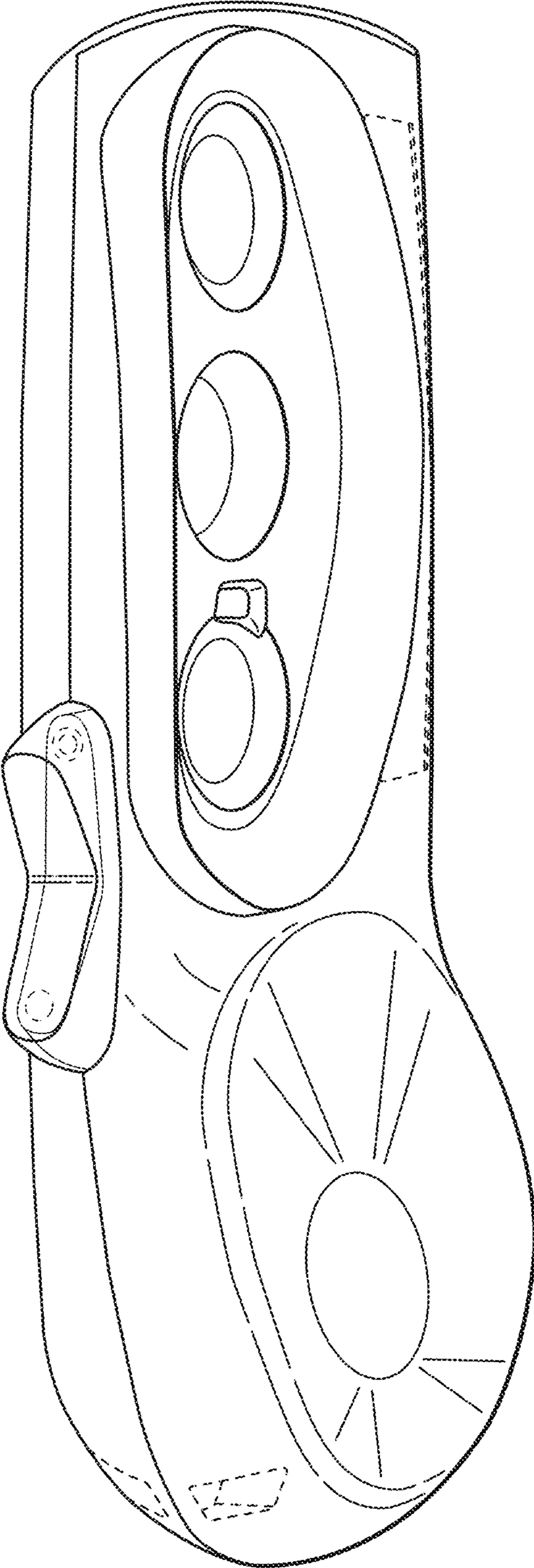


FIG. 3

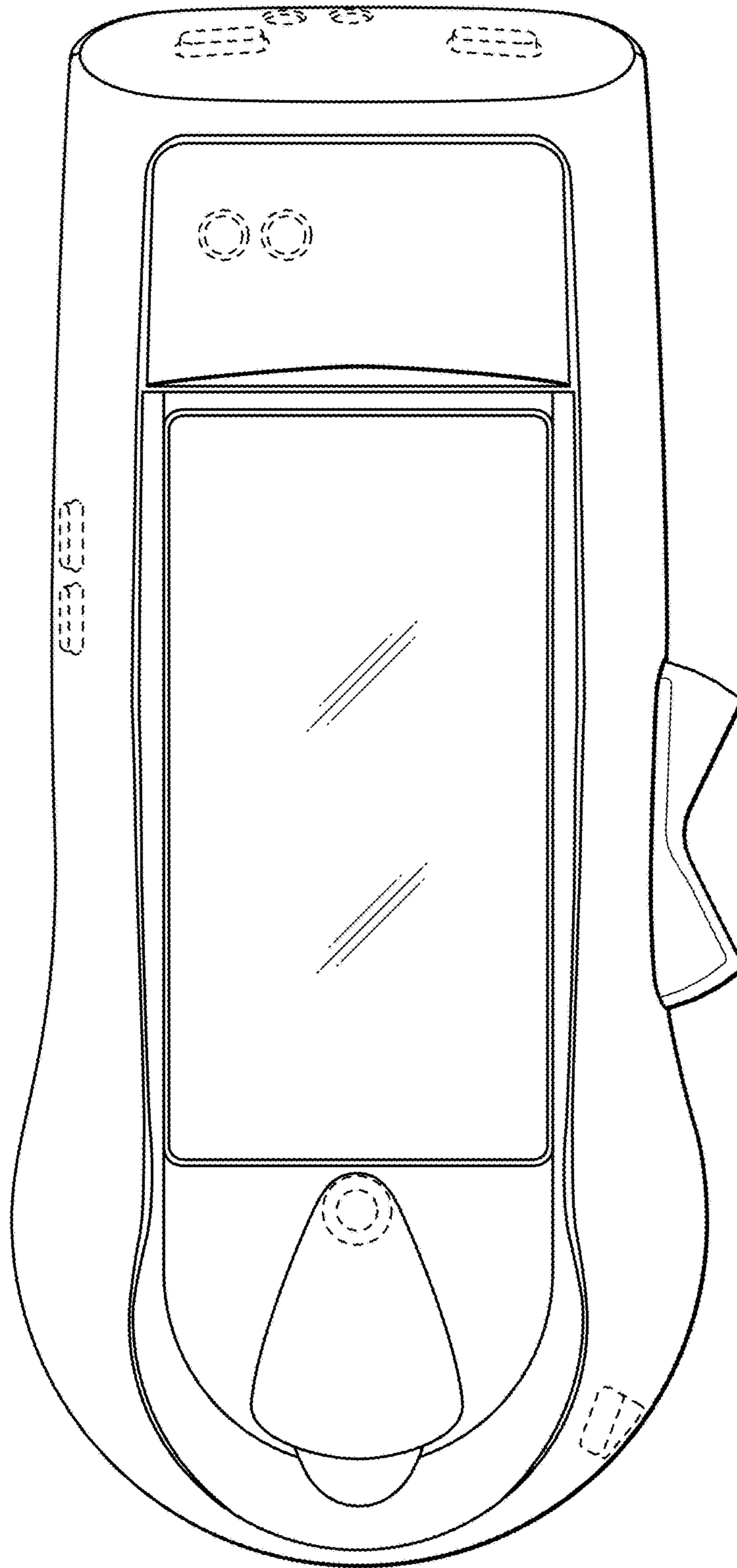


FIG. 4

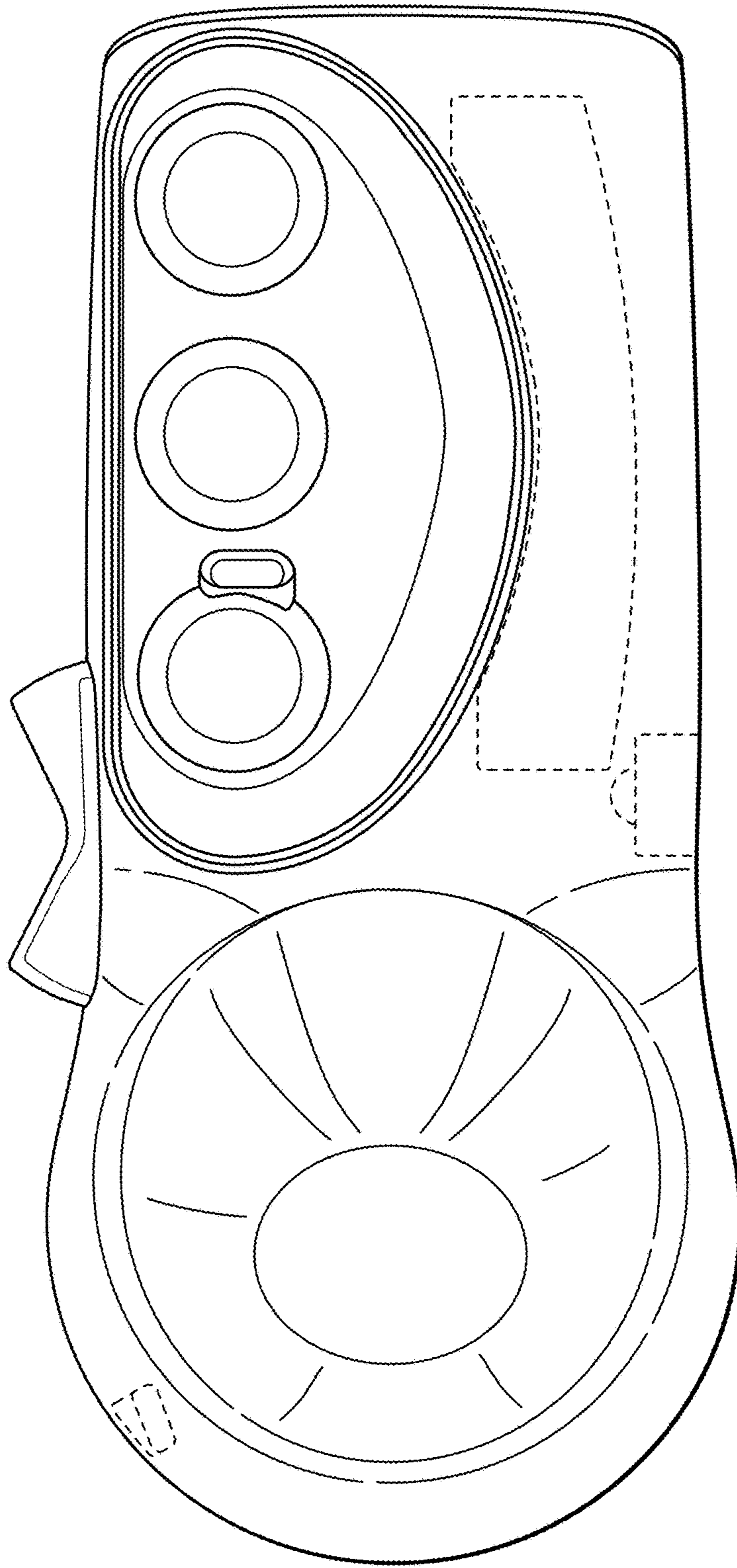


FIG. 5

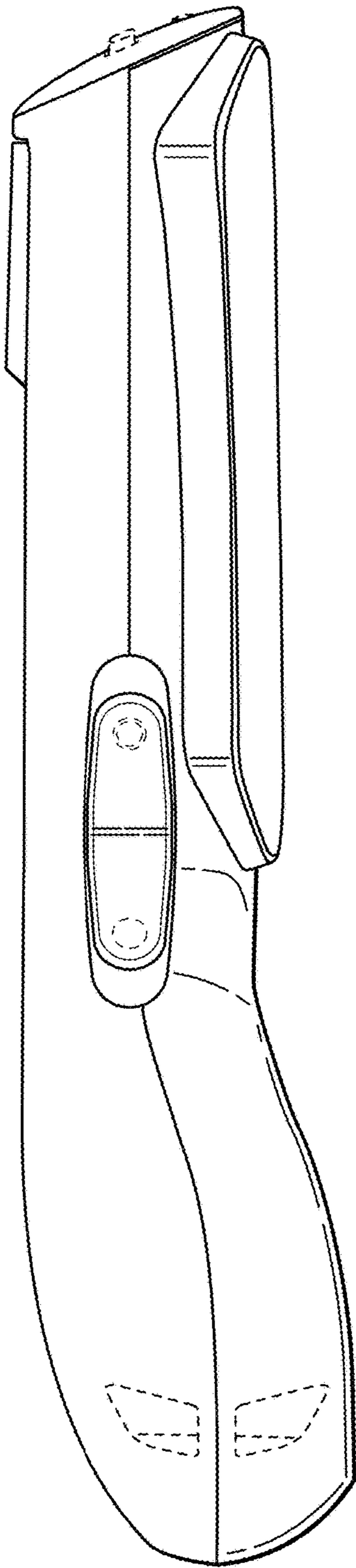


FIG. 6

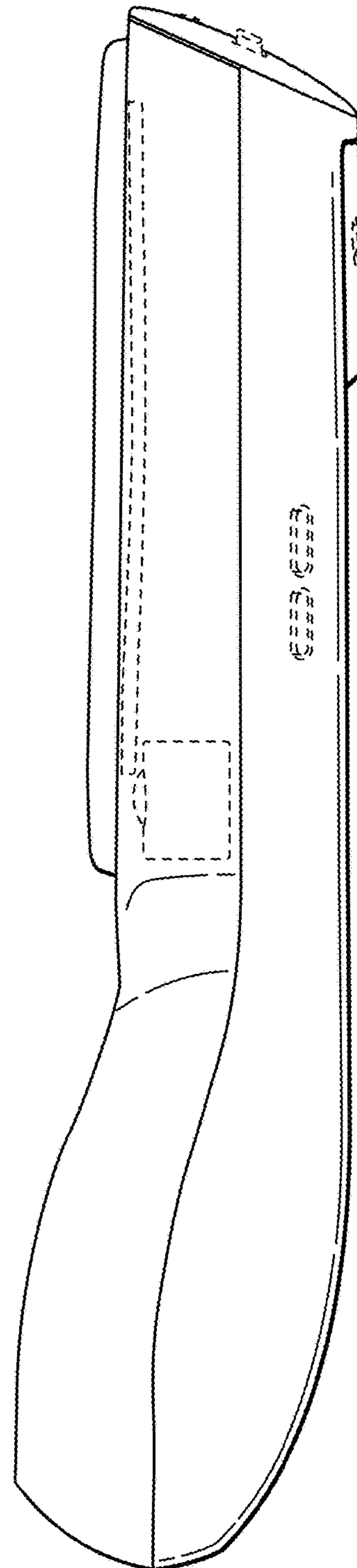


FIG. 7

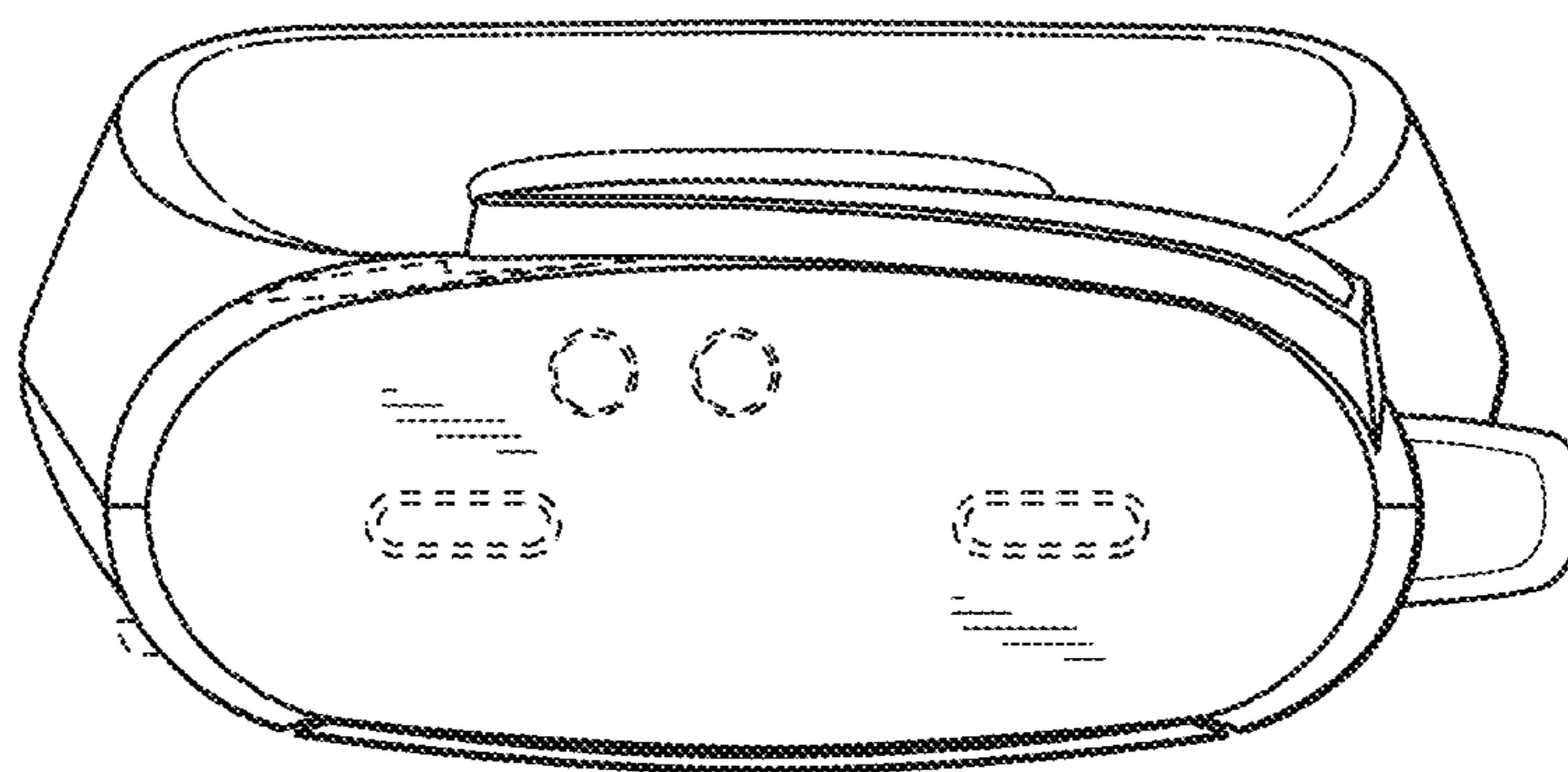


FIG. 8

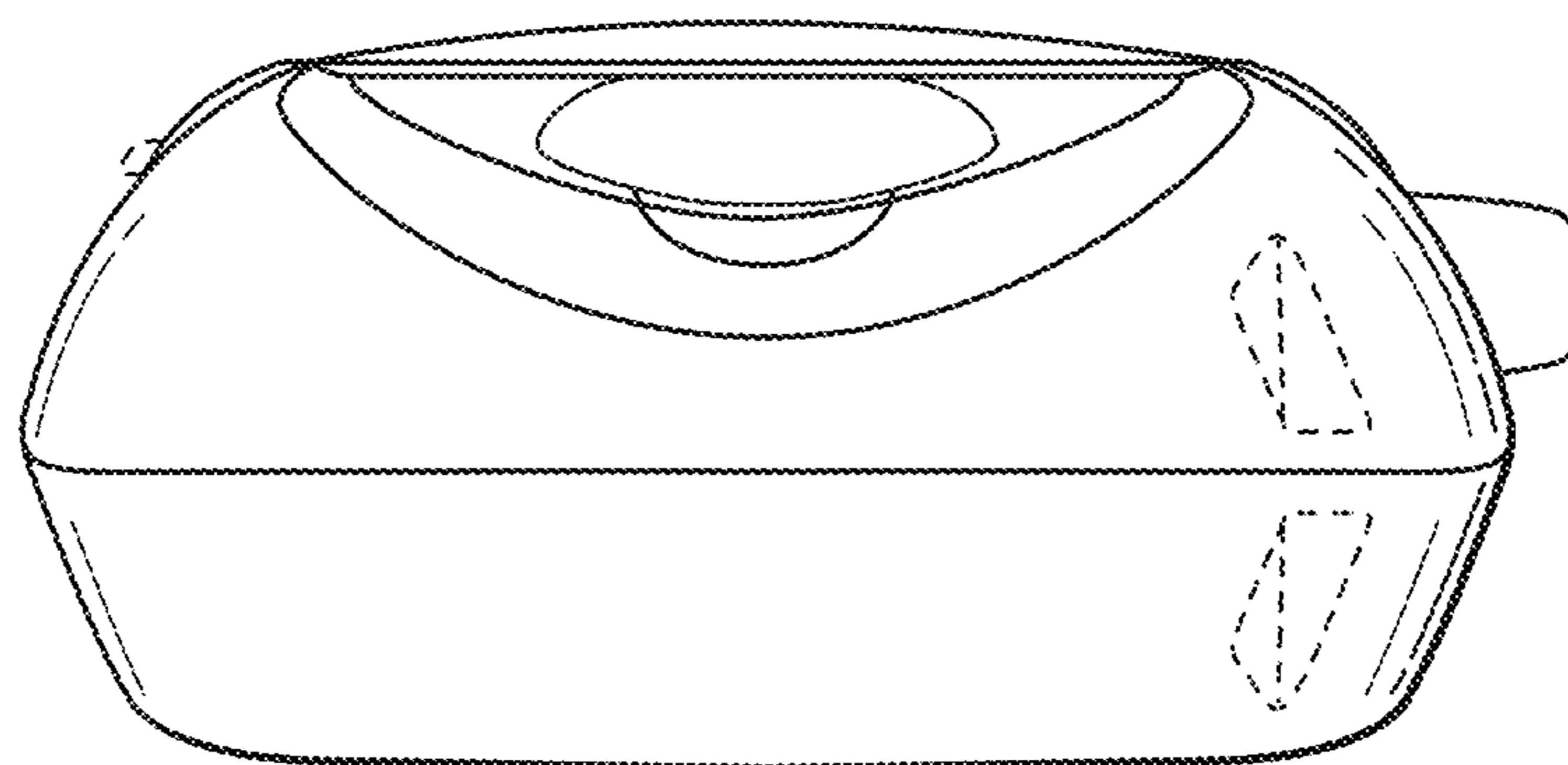


FIG. 9

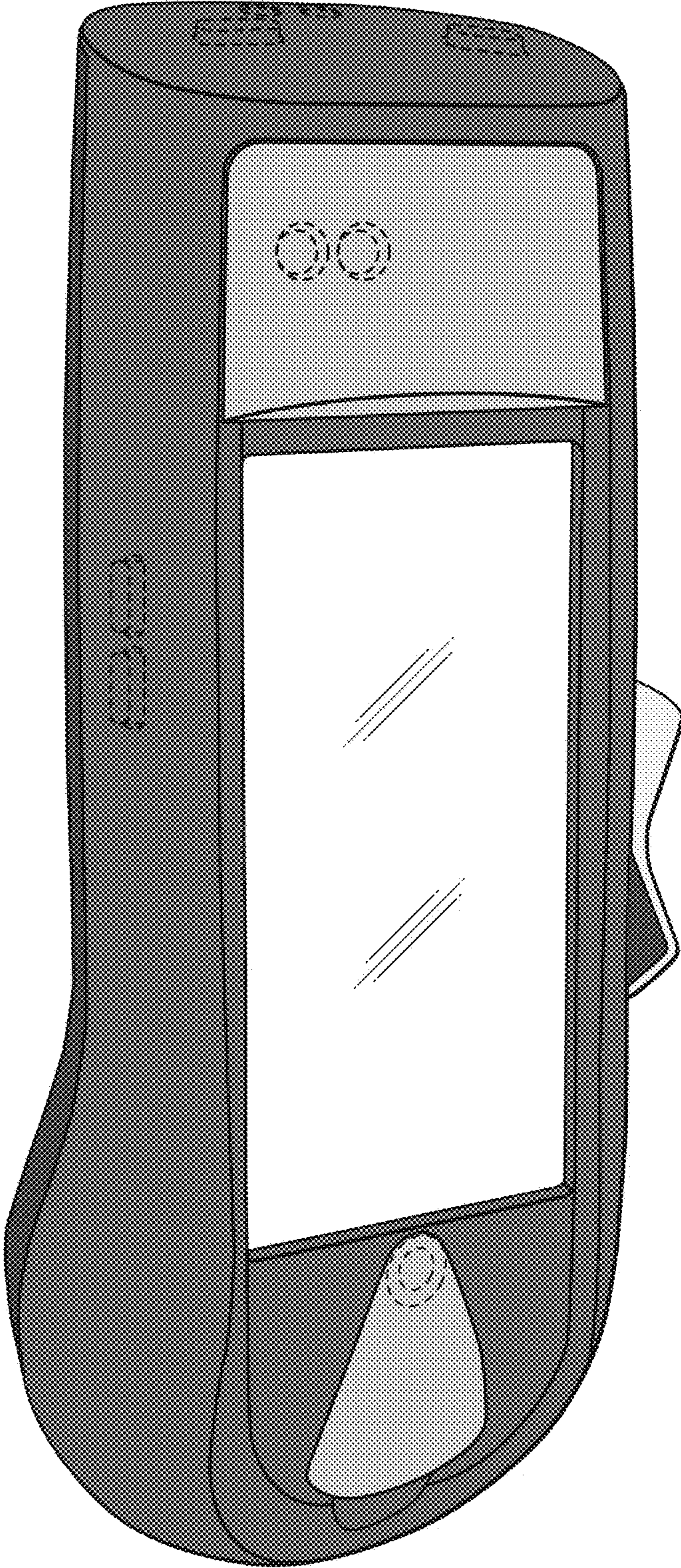


FIG. 10

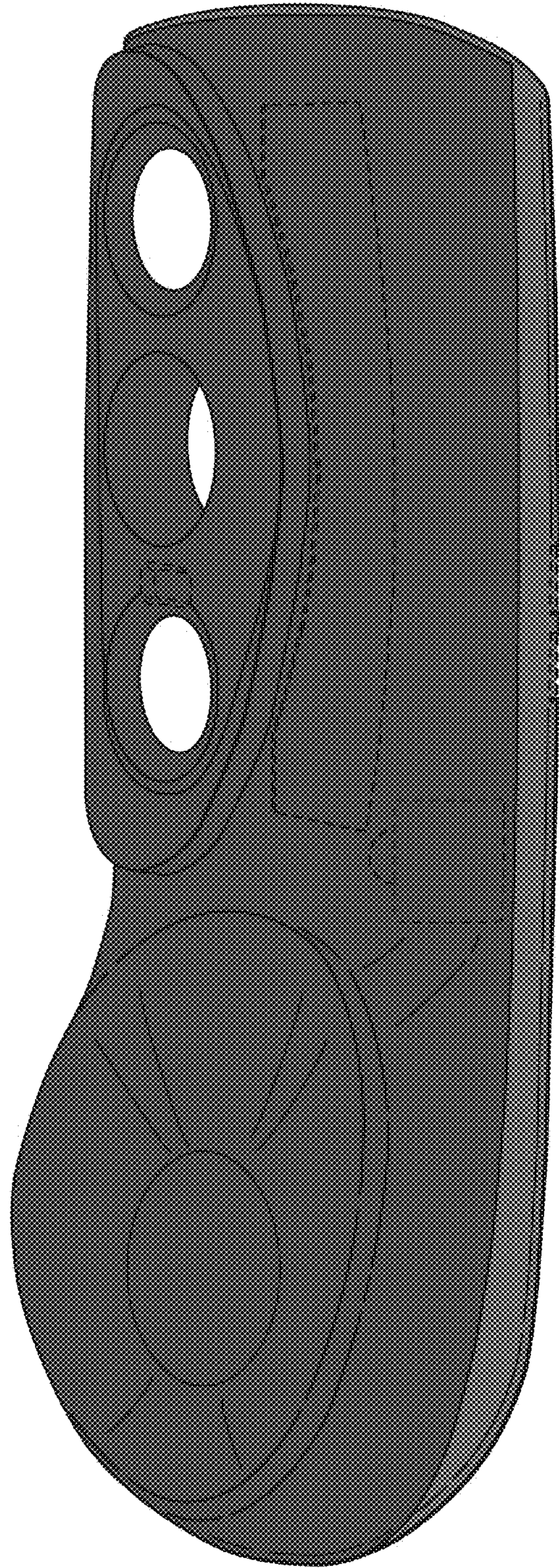


FIG. 11

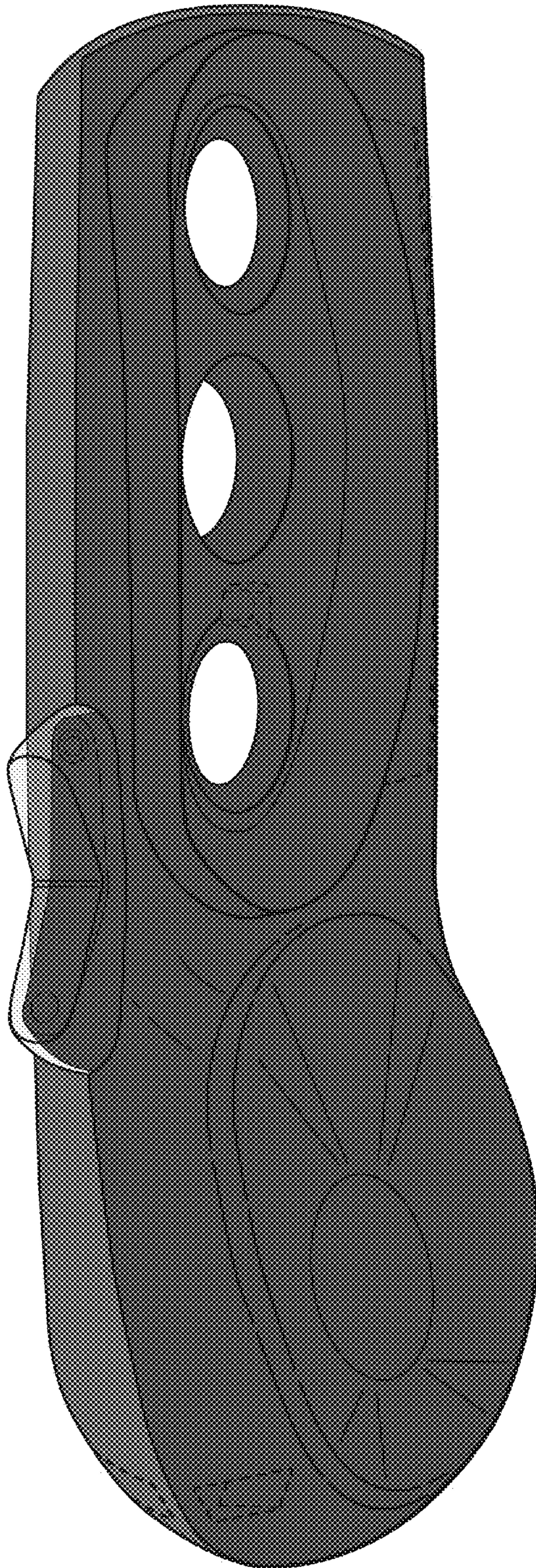


FIG. 12

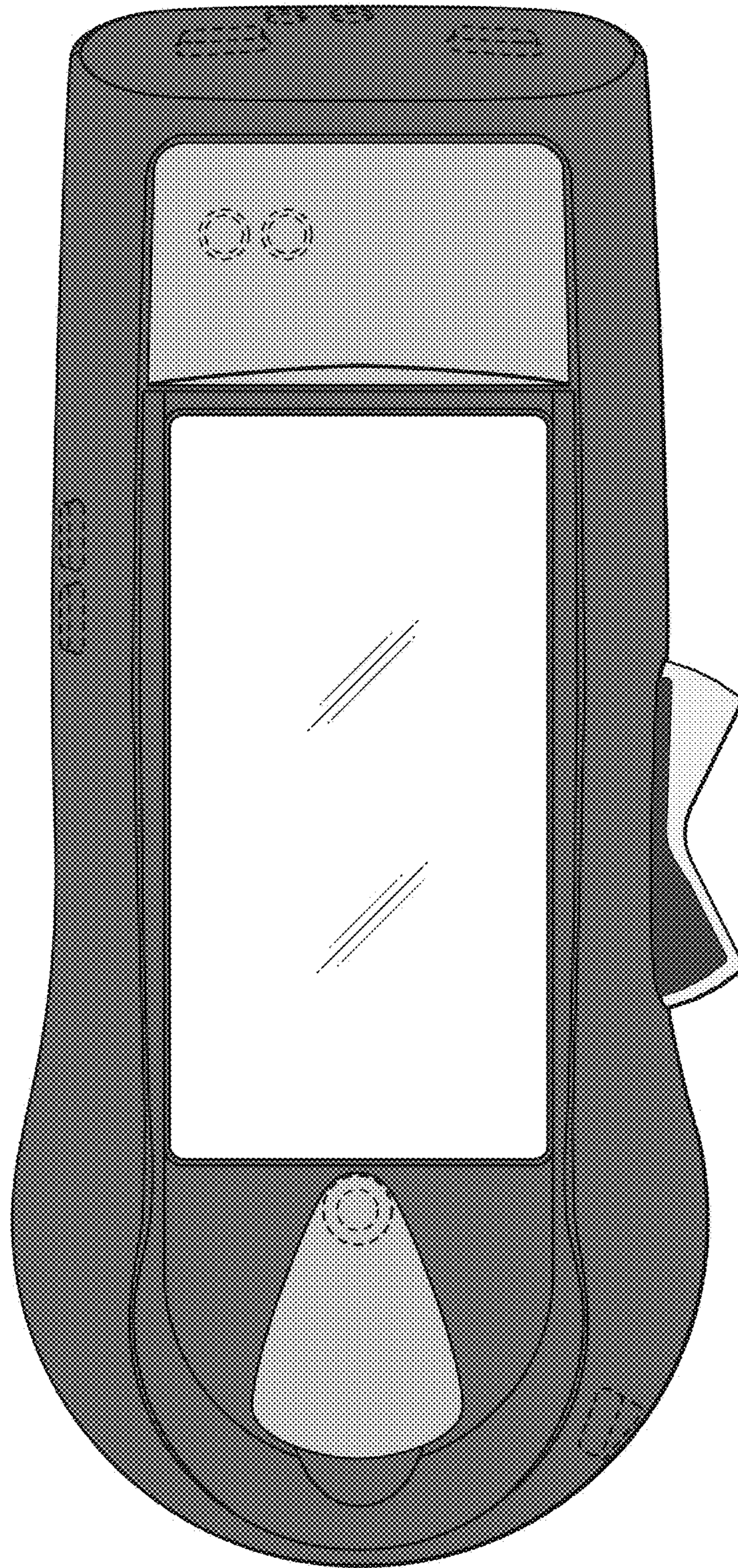


FIG. 13

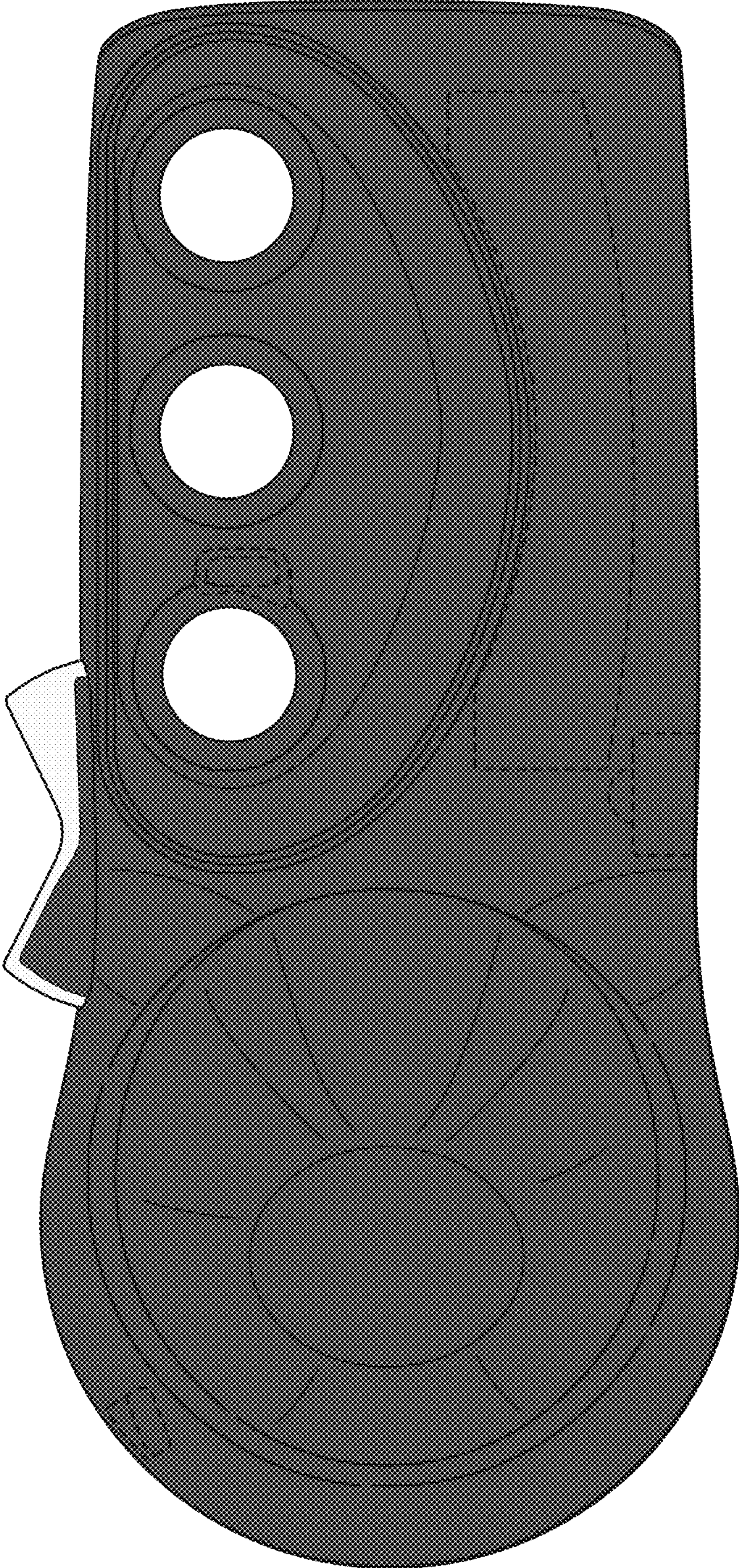


FIG. 14

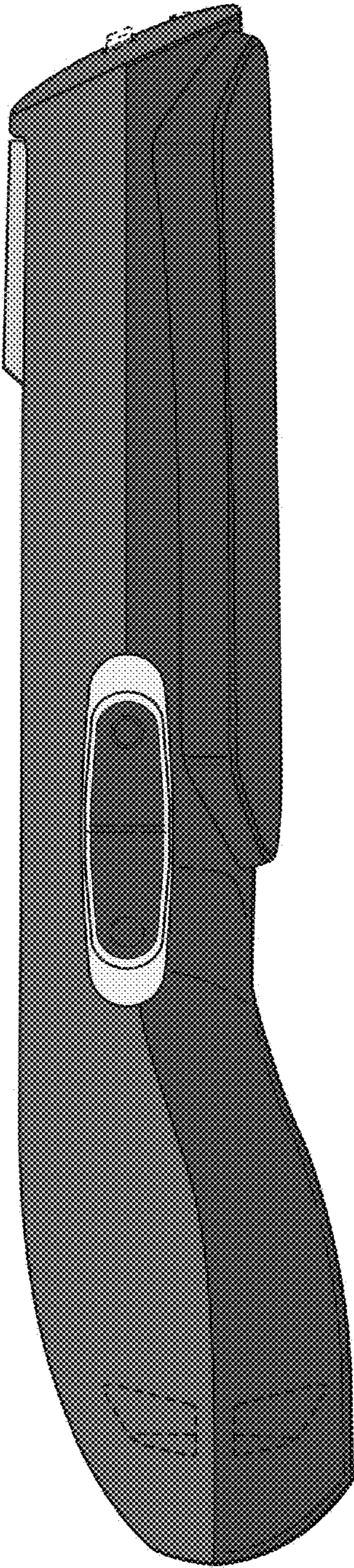


FIG. 15

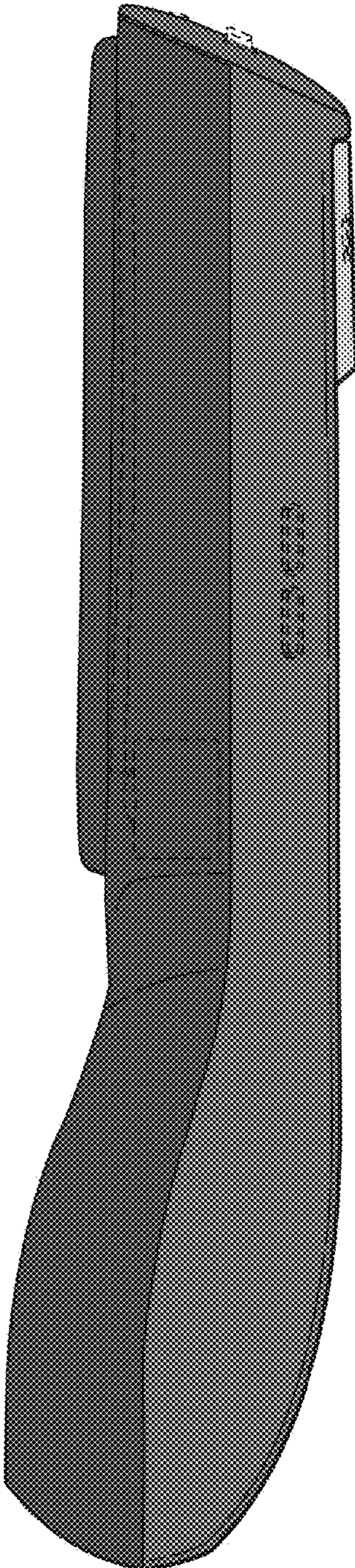


FIG. 16

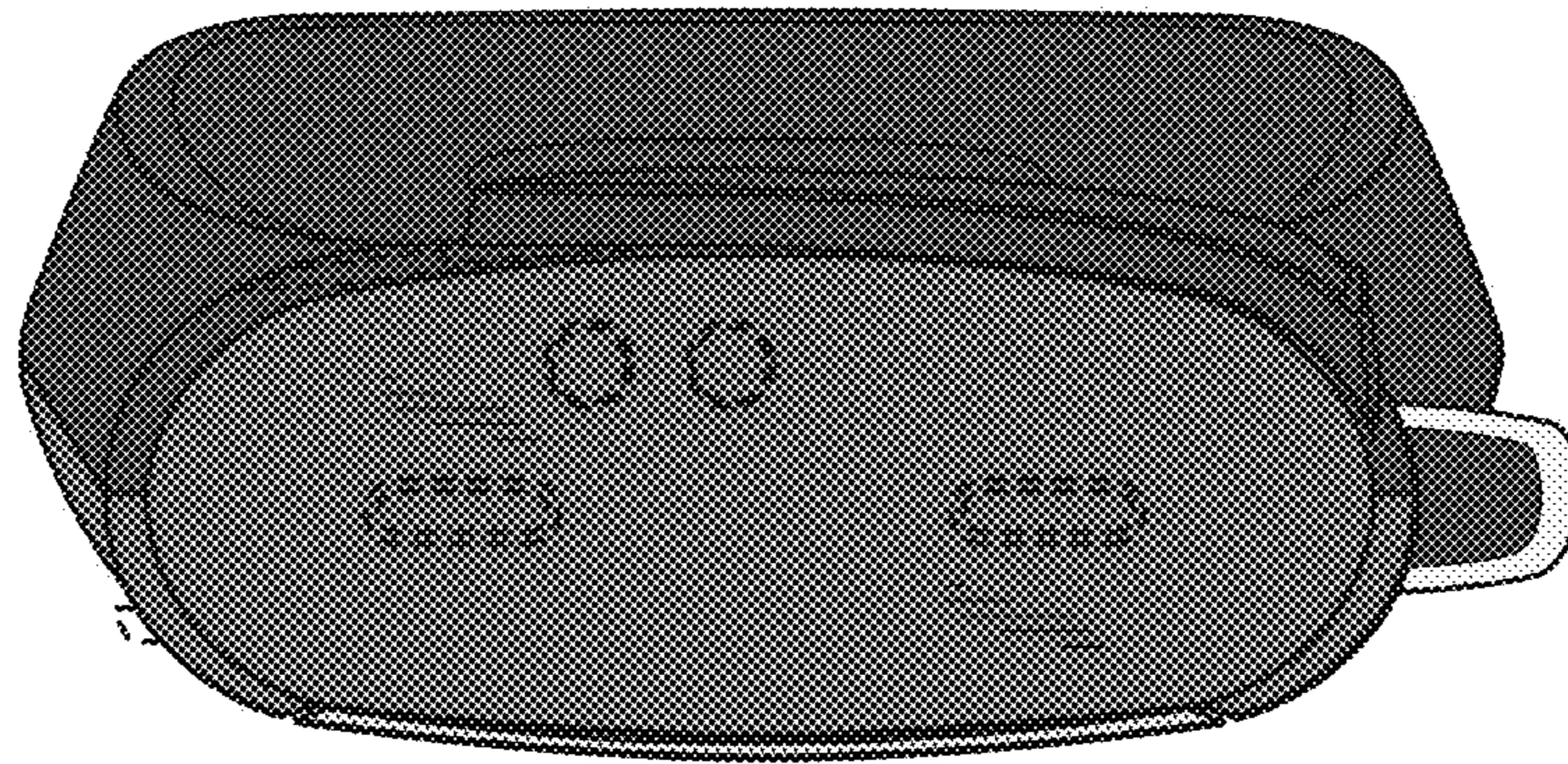


FIG. 17

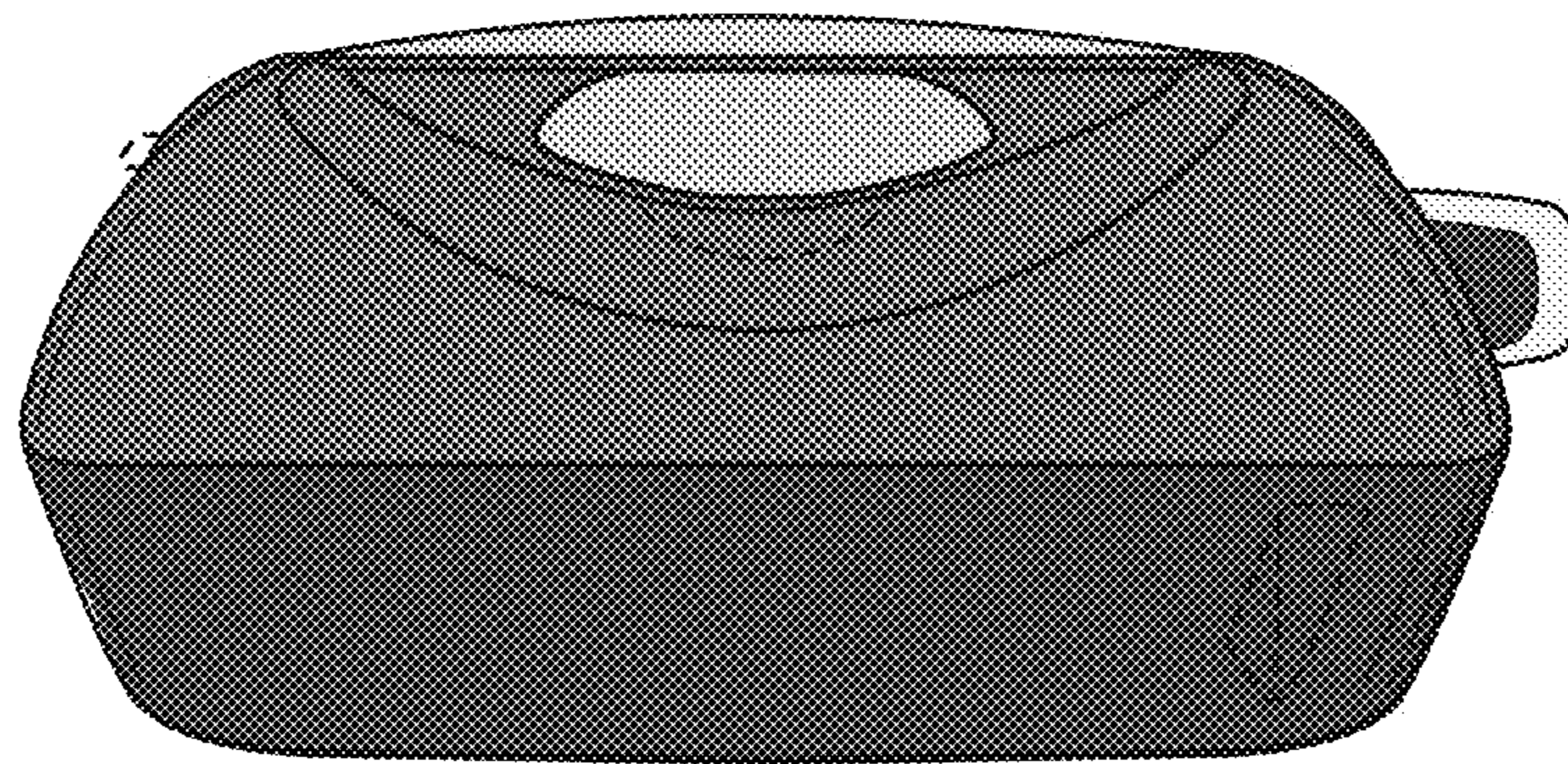


FIG. 18

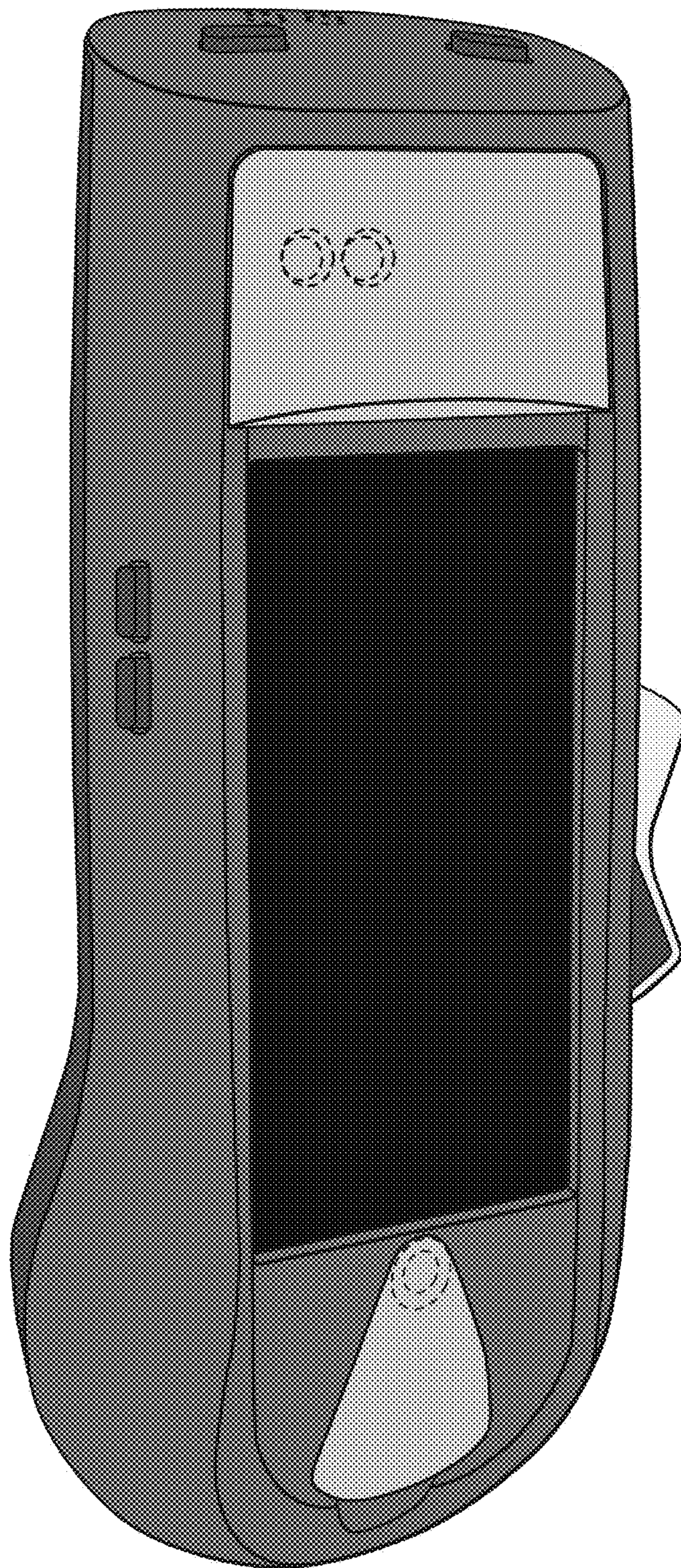


FIG. 19

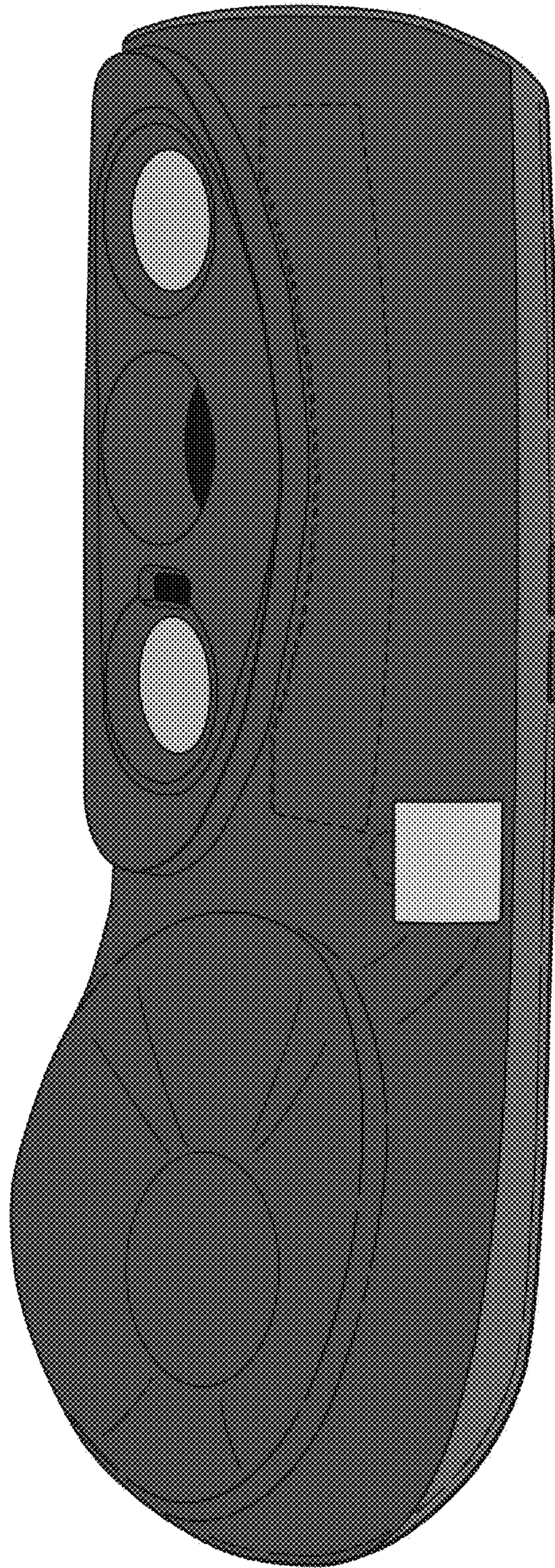


FIG. 20

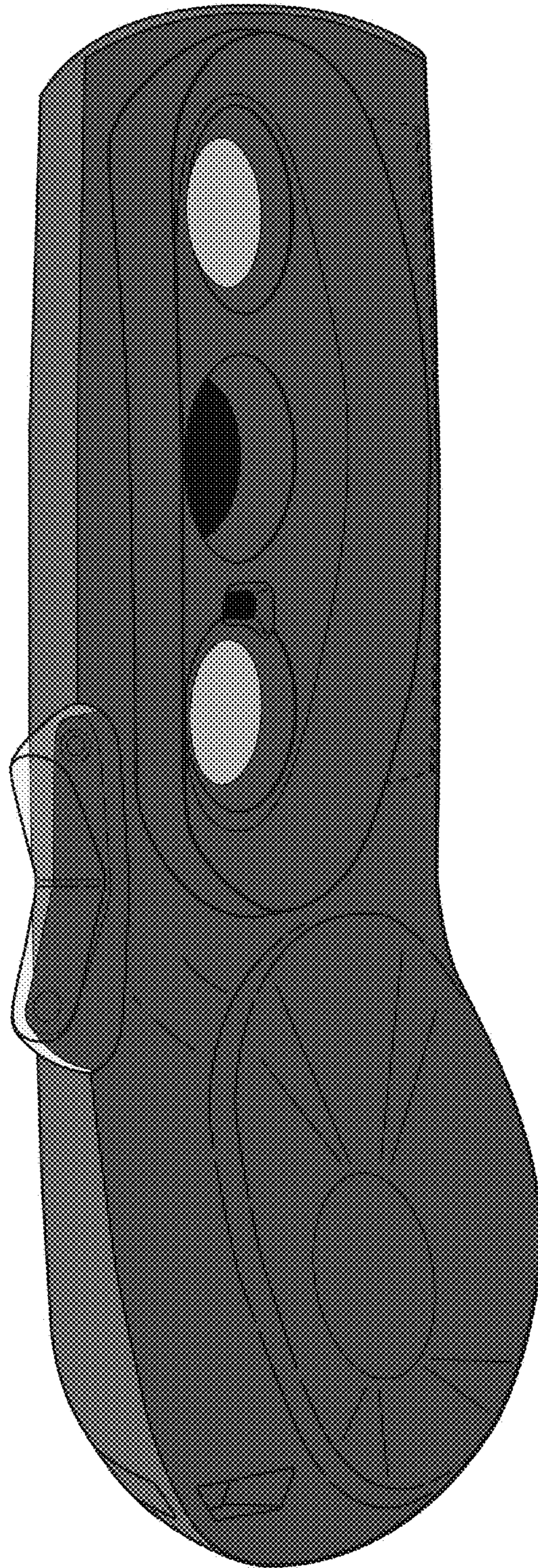


FIG. 21

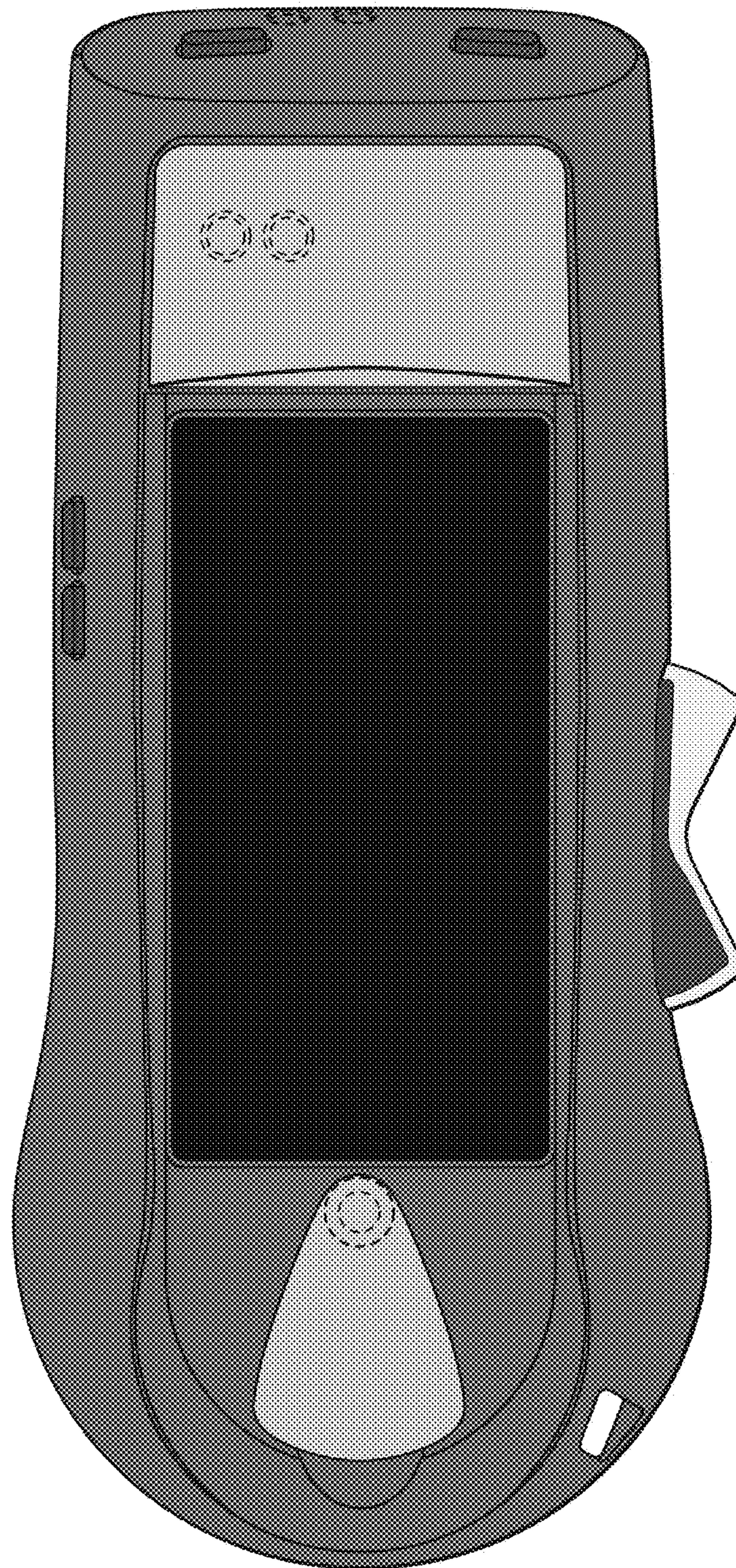


FIG. 22

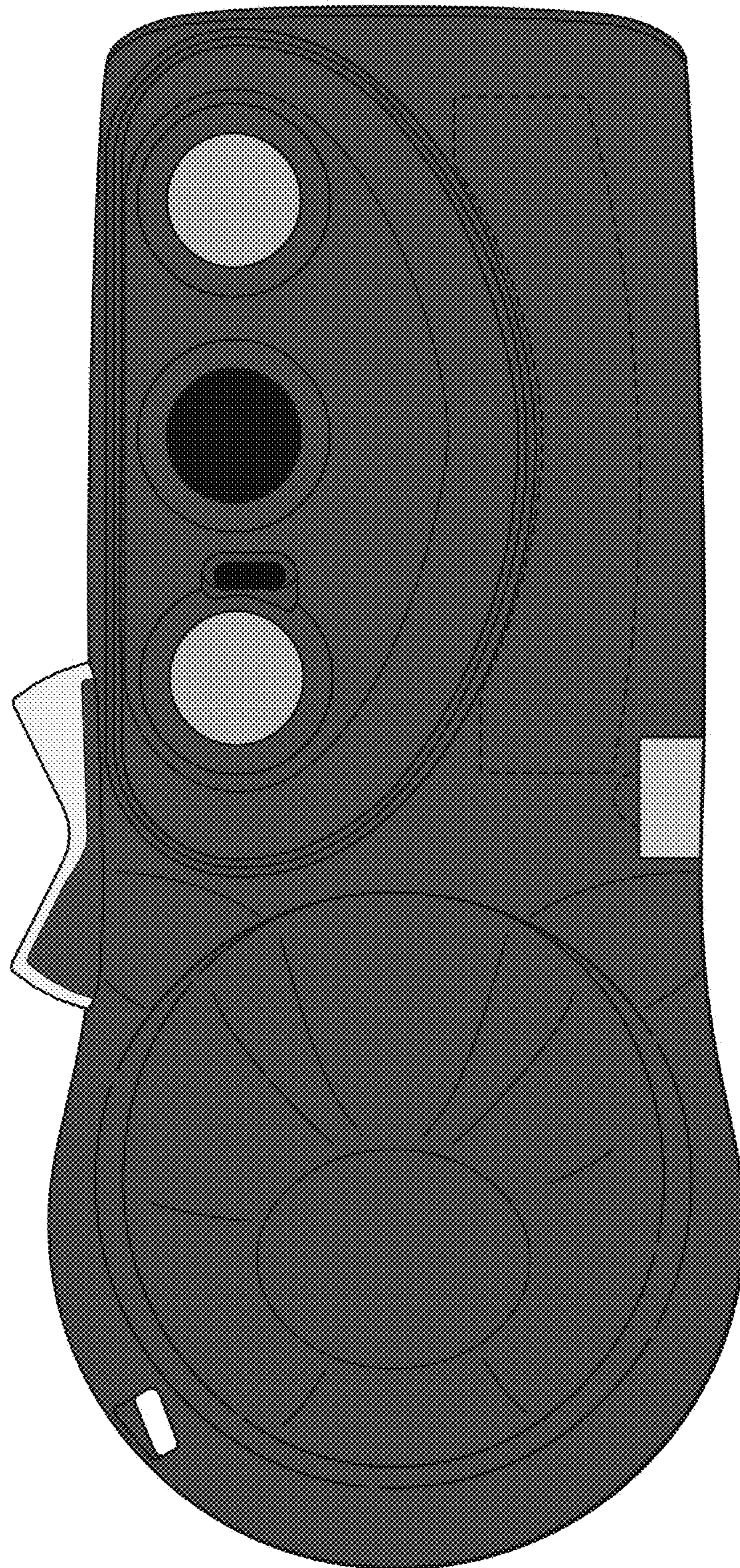


FIG. 23

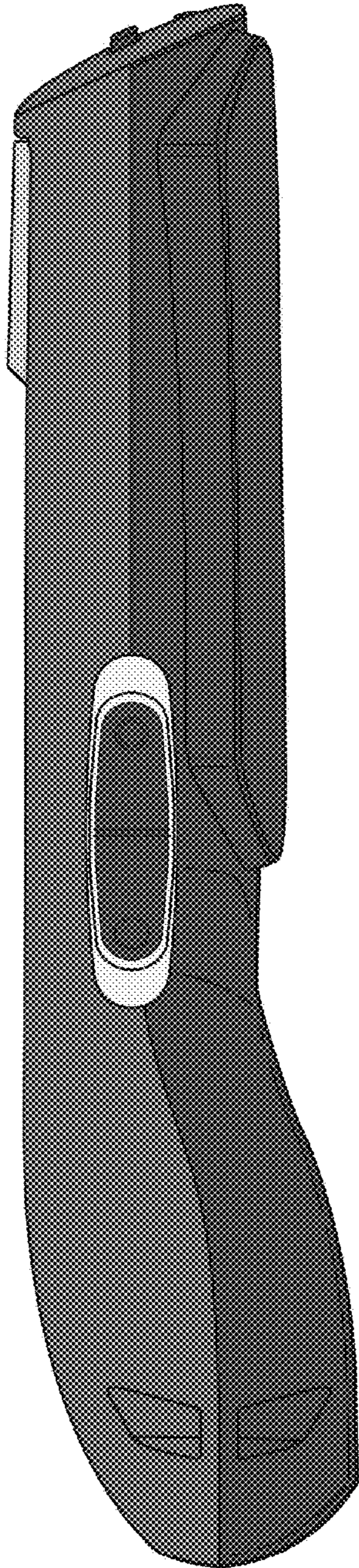


FIG. 24

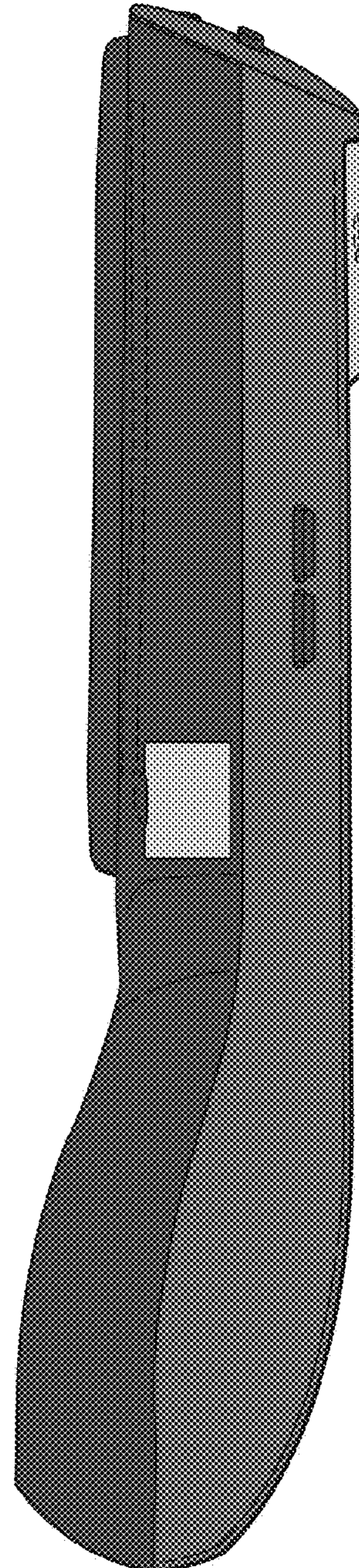


FIG. 25

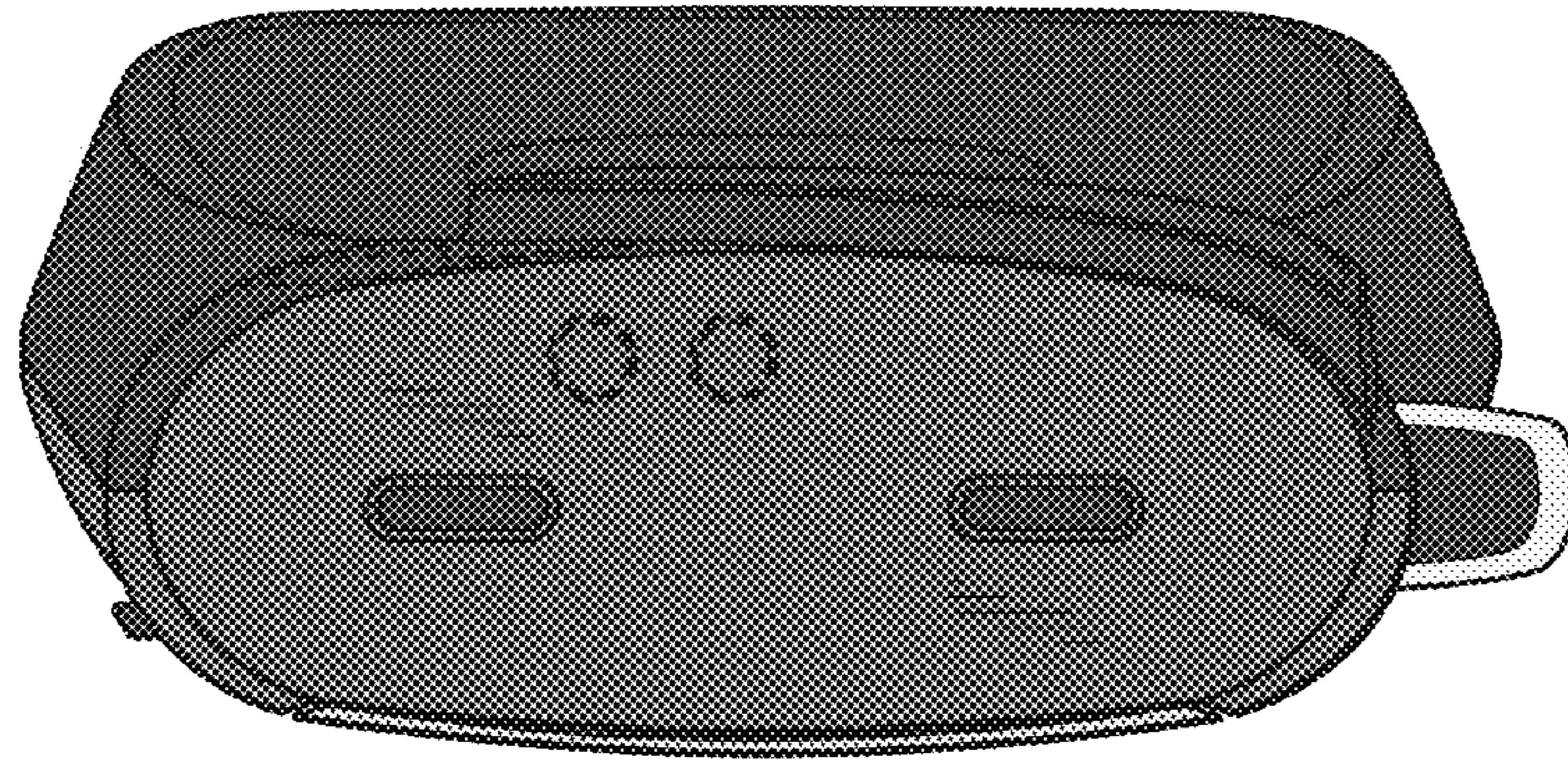


FIG. 26

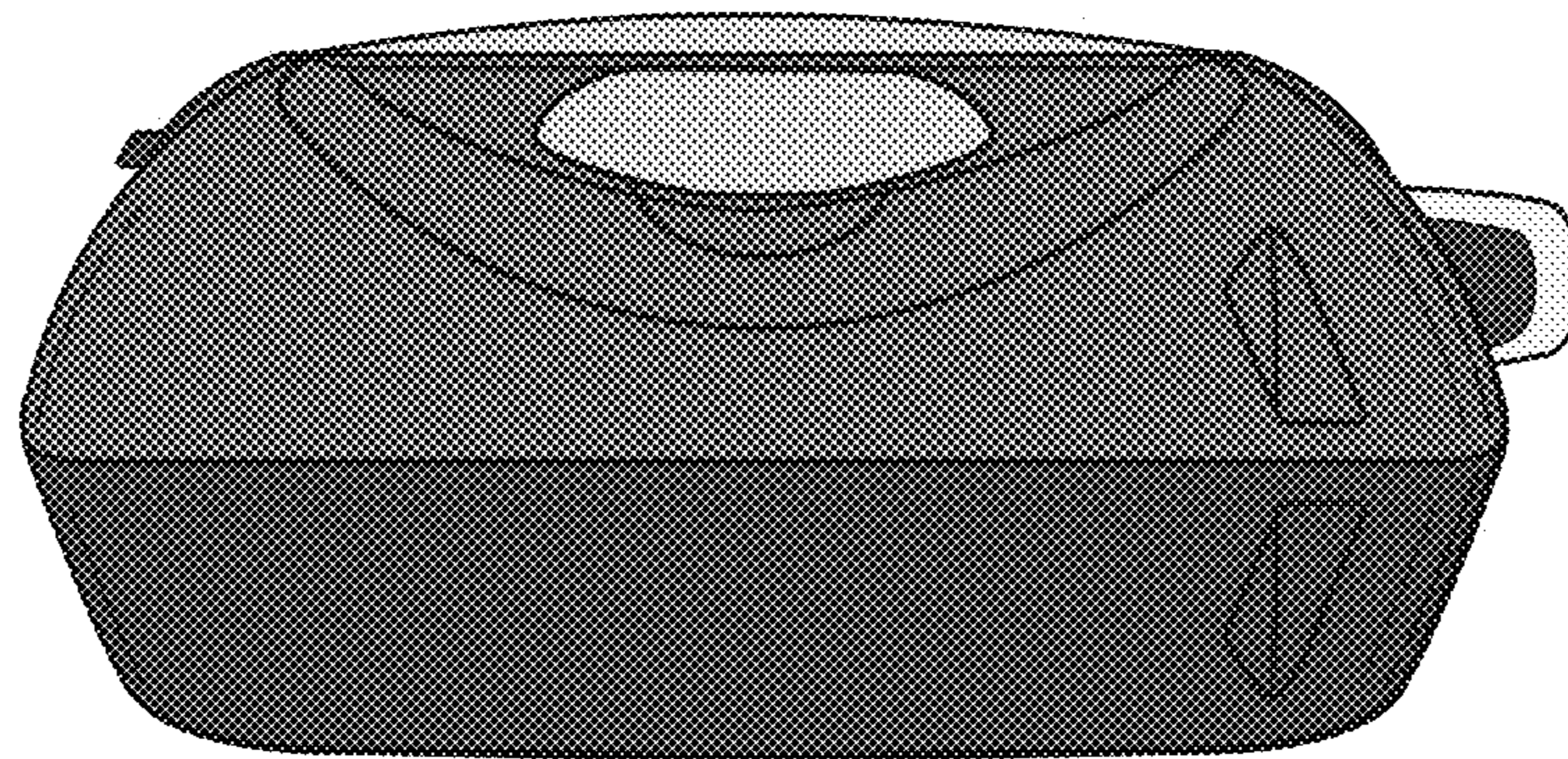


FIG. 27