



US00D837387S

(12) **United States Design Patent**
Vollum et al.

(10) **Patent No.:** **US D837,387 S**
(45) **Date of Patent:** **** Jan. 1, 2019**

- (54) **MONITOR STAND WITH LIGHT**
- (71) Applicant: **CV Medical**, Vancouver, WA (US)
- (72) Inventors: **Larry Vollum**, Vancouver, WA (US);
Terry Trover, Vancouver, WA (US);
Paul White, Vancouver, WA (US)
- (**) Term: **15 Years**
- (21) Appl. No.: **29/588,398**
- (22) Filed: **Dec. 20, 2016**
- (51) **LOC (11) Cl.** **24-02**
- (52) **U.S. Cl.**
USPC **D24/185**
- (58) **Field of Classification Search**
USPC D24/185, 186, 164, 160, 158, 209, 177,
D24/172; 600/4
CPC A61M 39/223
See application file for complete search history.

(56) **References Cited**

U.S. PATENT DOCUMENTS

D378,315 S *	3/1997	Schwaegerle	D24/172
D412,748 S *	8/1999	Nabarro	D24/158
D621,050 S *	8/2010	Jamison	D24/177
D626,235 S *	10/2010	Smith	D24/158
D657,470 S *	4/2012	Schon	D24/186
D668,770 S *	10/2012	Tucek	D24/209
9,039,592 B2 *	5/2015	Kaintz	A61M 39/223 600/4
D753,310 S *	4/2016	Thakar	D24/185
D785,183 S *	4/2017	Ogura	D24/158
D796,679 S *	9/2017	Dekock	D24/158
D804,032 S *	11/2017	Yanase	D24/160

D804,039 S *	11/2017	Patmore	D24/185
D804,671 S *	12/2017	Yanase	D24/160
D805,646 S *	12/2017	Burns	D24/185
D807,510 S *	1/2018	Newman	D24/164
D814,641 S *	4/2018	Burns	D24/185
D816,223 S *	4/2018	Barak	D24/158

* cited by examiner

Primary Examiner — Rhea Shields

(74) *Attorney, Agent, or Firm* — Klarquist Sparkman, LLP

(57) **CLAIM**

We claim the ornamental design for a monitor stand with light, as shown and described.

DESCRIPTION

FIG. 1 is a front perspective view of a monitor stand with light;
 FIG. 2 is a front view of the monitor stand with light of FIG. 1;
 FIG. 3 is a rear view of the monitor stand with light of FIG. 1;
 FIG. 4 is a right side view of the monitor stand with light of FIG. 1;
 FIG. 5 is a left side view of the monitor stand with light of FIG. 1;
 FIG. 6 is a top view of the monitor stand with light of FIG. 1; and,
 FIG. 7 is a bottom view of the monitor stand with light of FIG. 1.

The broken lines show unclaimed boundaries and elements of the monitor stand with light for environmental purposes only and form no part of the claimed design.

1 Claim, 6 Drawing Sheets

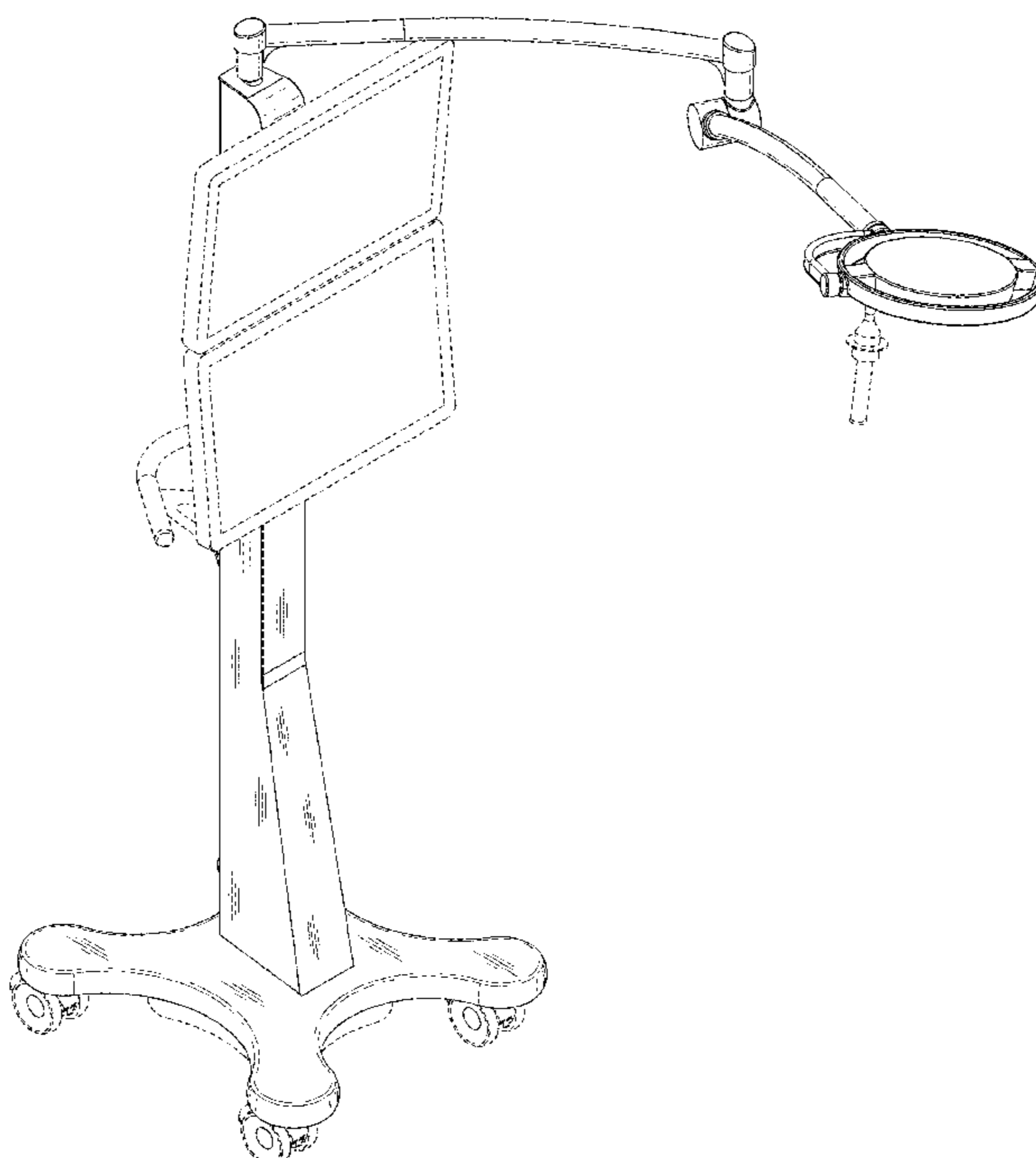


FIG. 1

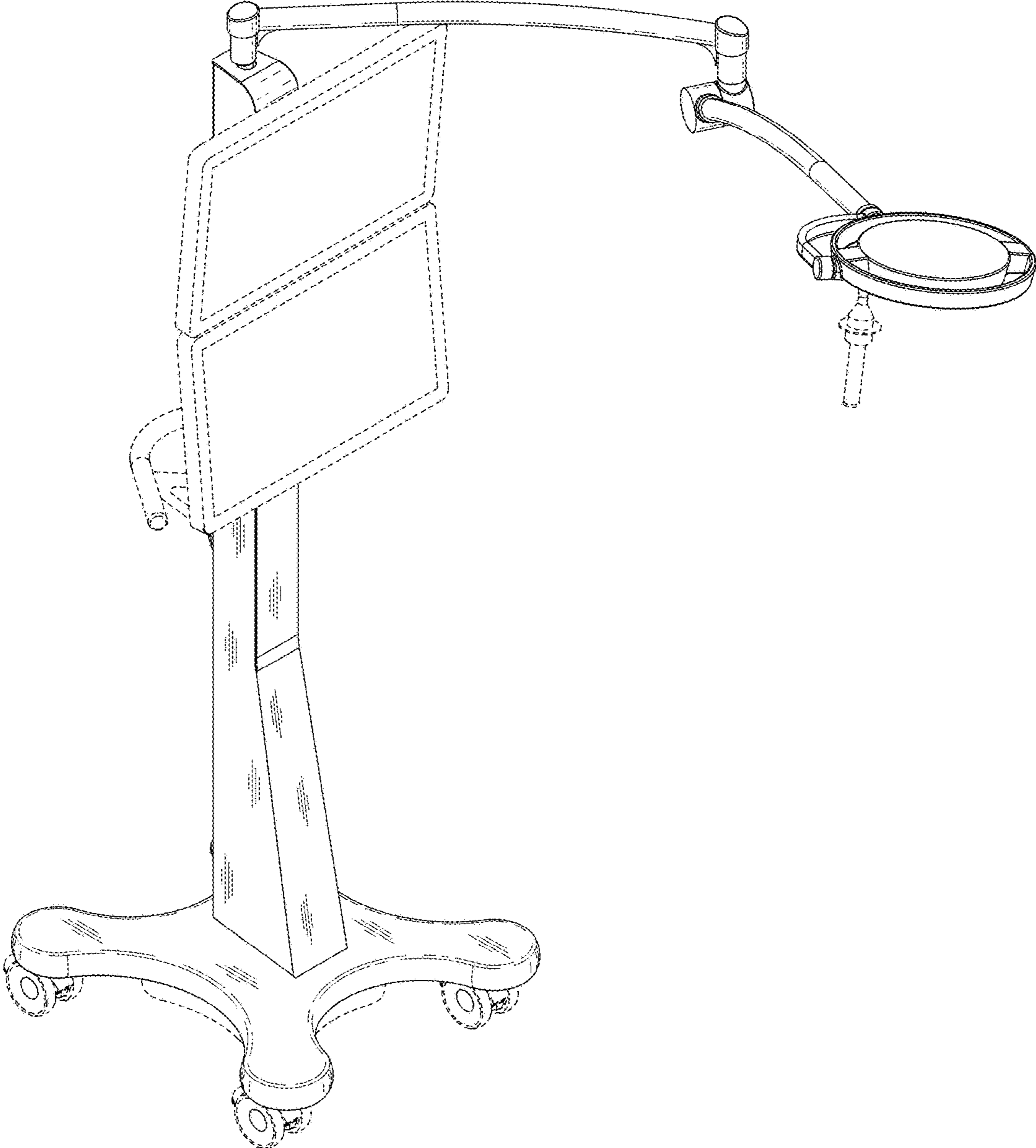


FIG. 2

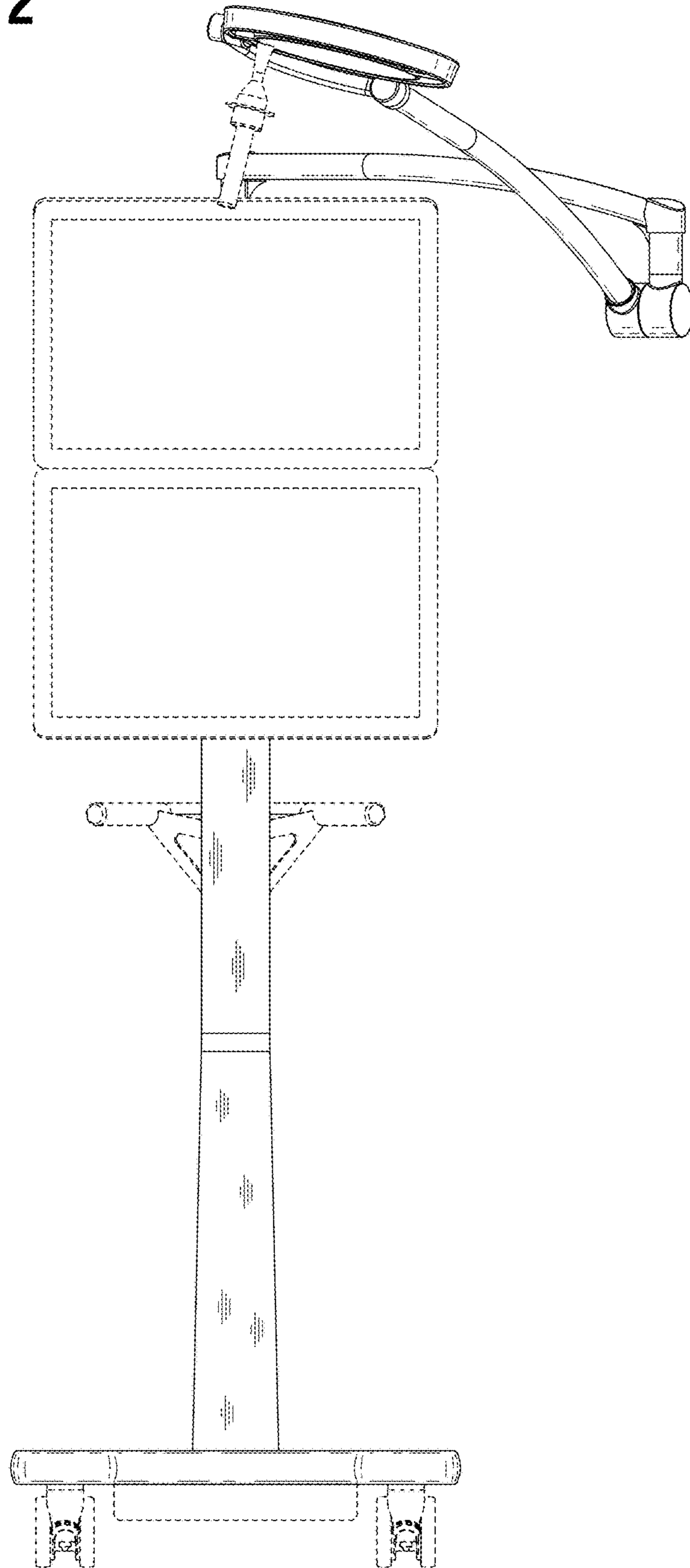


FIG. 3

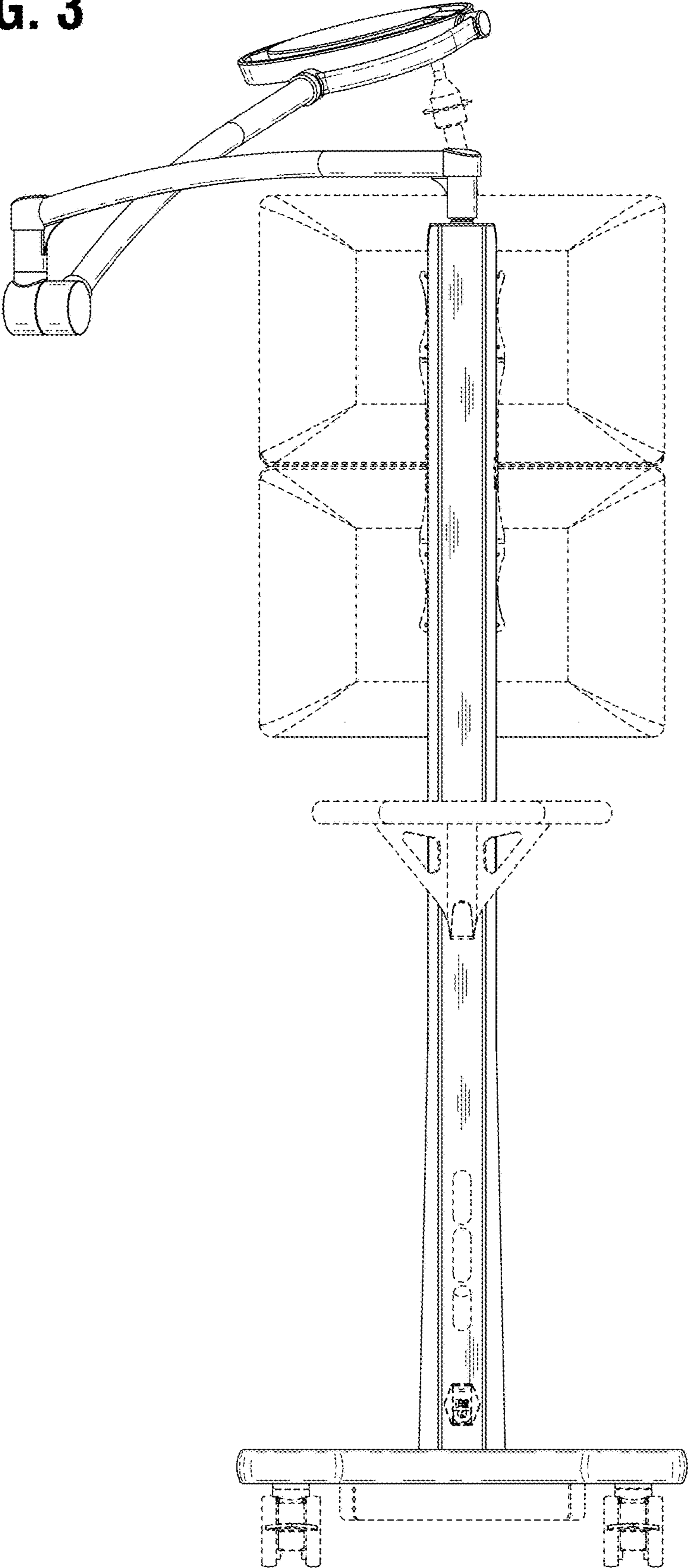


FIG. 4

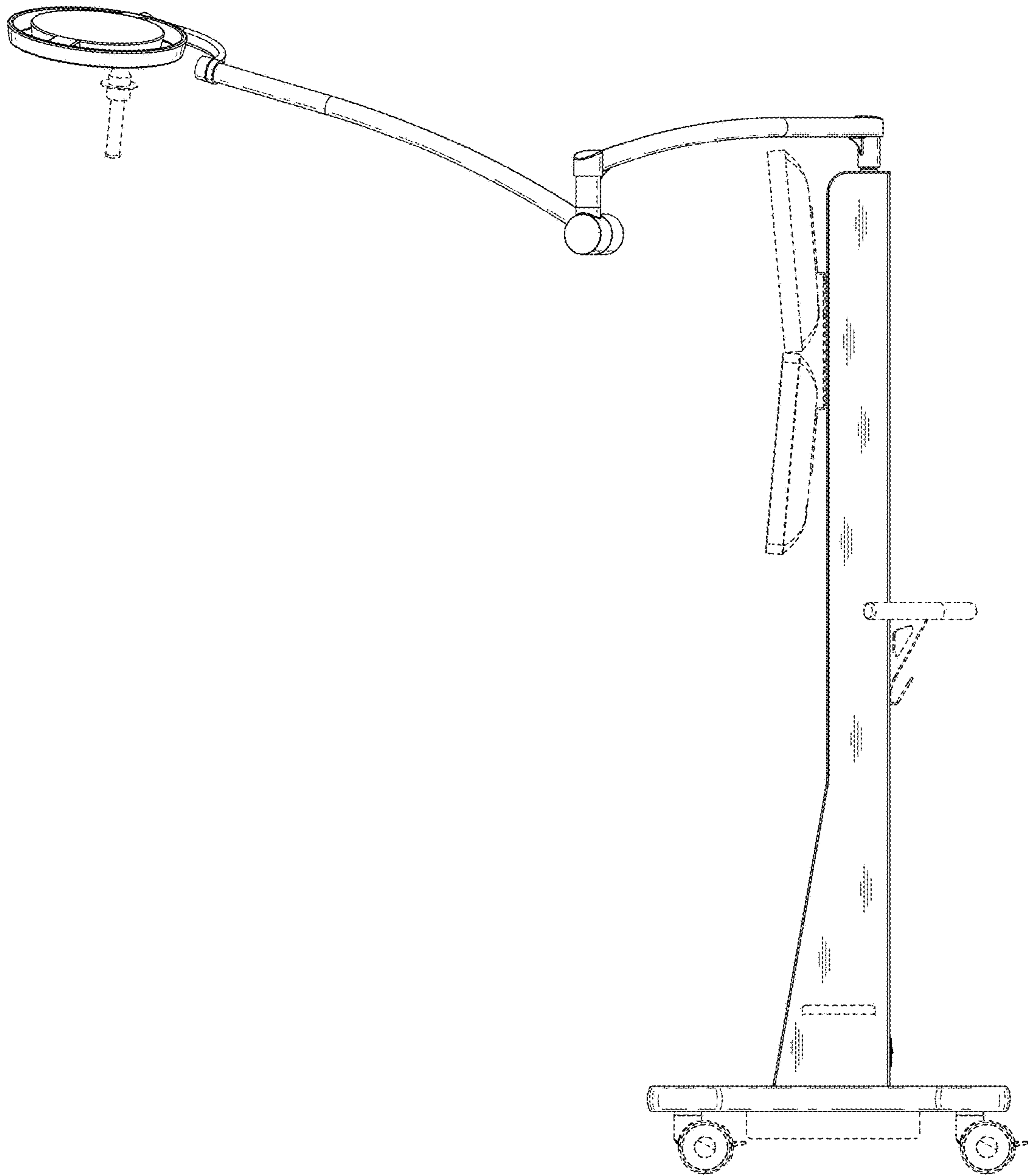


FIG. 5

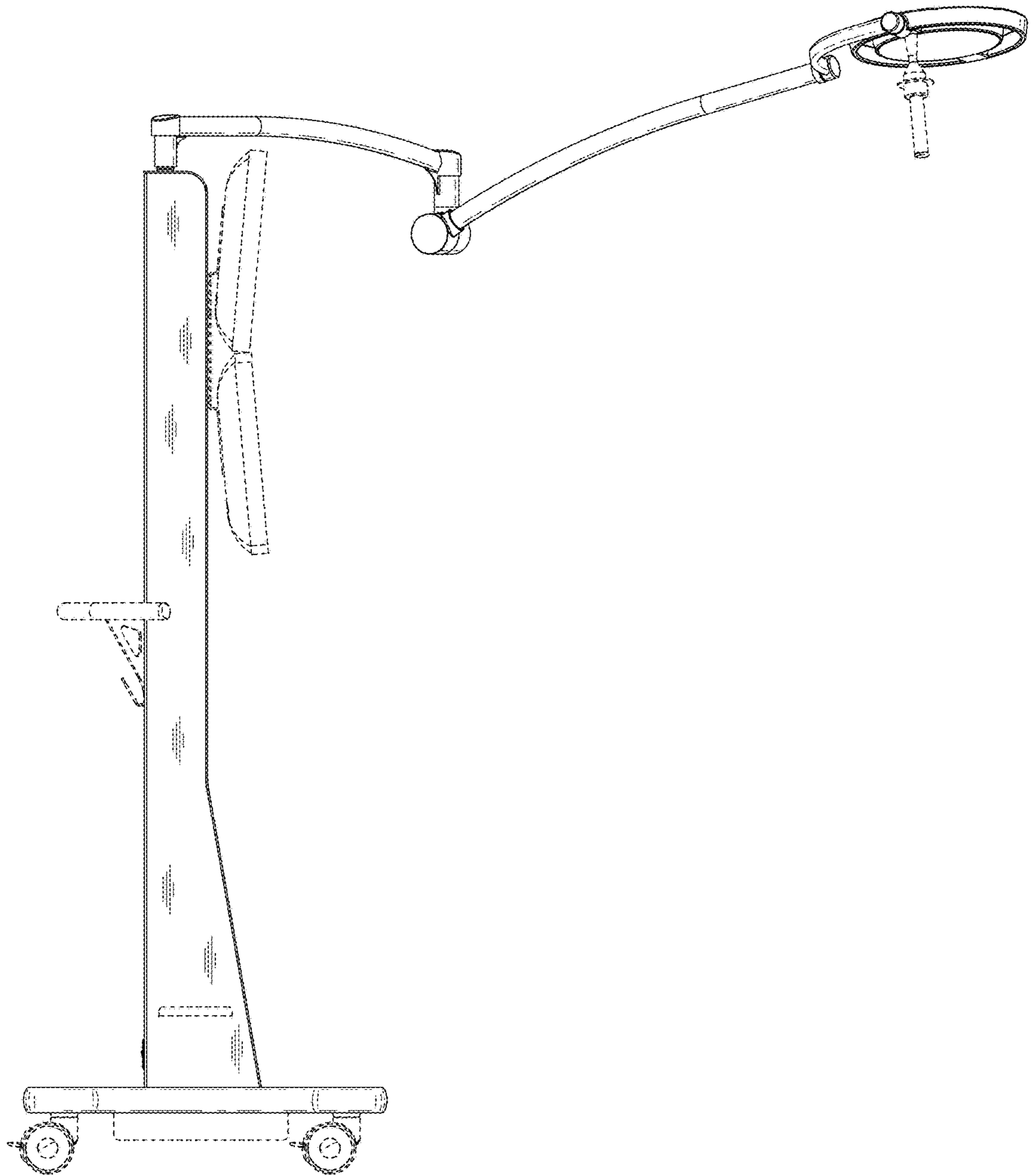


FIG. 6

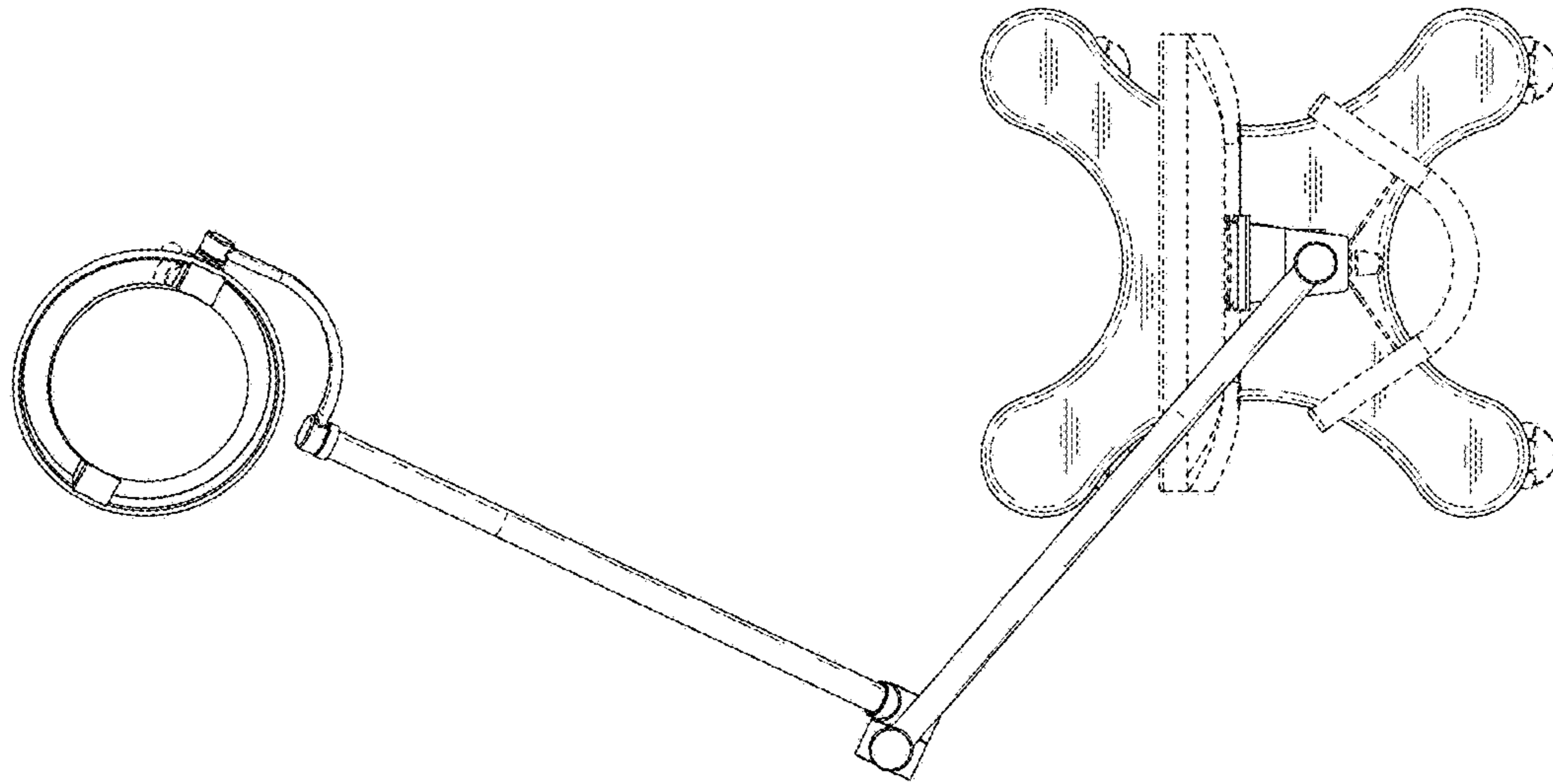


FIG. 7

