



US00D837385S

(12) **United States Design Patent**
He et al.

(10) **Patent No.:** **US D837,385 S**
(45) **Date of Patent:** **** Jan. 1, 2019**

(54) **HEAD HOLDER FOR PATIENT TABLE**

(71) Applicant: **Siemens Shanghai Medical Equipment Ltd.**, Shanghai (CN)

(72) Inventors: **Xu He**, Shanghai (CN); **Xiao Yan Du**, Shanghai (CN)

(73) Assignee: **Siemens Healthcare GmbH**, Erlangen (DE)

(**) Term: **15 Years**

(21) Appl. No.: **29/597,573**

(22) Filed: **Mar. 17, 2017**

(30) **Foreign Application Priority Data**

Sep. 20, 2016 (CN) 2016 3 0475773

(51) **LOC (11) Cl.** **24-02**

(52) **U.S. Cl.**
USPC **D24/184**

(58) **Field of Classification Search**

USPC D24/183–184, 188, 190–191, 200, 211, D24/215; D6/601, 596, 604; 5/600–624, 5/630–651, 653, 657; 128/845, 870; 297/352–353, 391, 397, 411.2, 411.24, 297/423.1, 452.1, 452.29; 602/4, 6, 13, 602/17–20, 23, 32; 606/240; 248/118; 600/415; 378/209

CPC ... A47B 21/0314; A47B 21/0371; A47C 1/03; A47C 1/143; A47C 16/00; A47C 16/02; A47C 20/021; A47C 20/026; A47C 20/027; A47C 20/23; A47C 20/25; A47C 20/26; A47C 20/27; A47C 27/00; A47C 27/001; A47C 27/081; A47C 27/086; A47C 27/144; A47C 27/146; A47C 7/021; A47C 7/022; A47C 7/38; A47C 7/383; A47C 7/386; A47C 7/425; A47C 7/46; A47C 7/54; A47C 7/543; A47C 7/546; A47C 7/68; A47C 7/70; A47D 15/006; A47D 15/008; A47G 9/007; A47G 9/0253; A47G 9/10; A47G 9/1009;

A47G 9/1027; A47G 9/1036; A47G 9/1045; A47G 9/1054; A47G 9/1072; A47G 9/1081; A47G 9/109; A61B 17/02; A61B 17/320092; A61B 6/0421; A61B 6/501; A61B 90/14; A61F 5/01; A61F 5/0118; A61F 5/012; A61F 5/04; A61F 5/055; A61F 5/0585; A61F 5/30; A61F 5/5605; A61F 5/3707; A61F 5/3738; A61F 5/3746; A61F 5/3753; A61F 5/3761; A61F 5/883; A61F 9/04; A61G 13/12; A61G 13/121; A61G 13/1235; A61G 15/02; A61G 15/125; A61G 5/12; A61H 1/008; A61H 1/02; A61H
(Continued)

(56) **References Cited**

U.S. PATENT DOCUMENTS

4,019,727 A * 4/1977 Martin A61F 5/3707
5/636
D253,568 S * 12/1979 Brink D6/716.2
(Continued)

Primary Examiner — Ian Simmons

Assistant Examiner — Samantha Q. Lawrence

(74) *Attorney, Agent, or Firm* — Schiff Hardin LLP

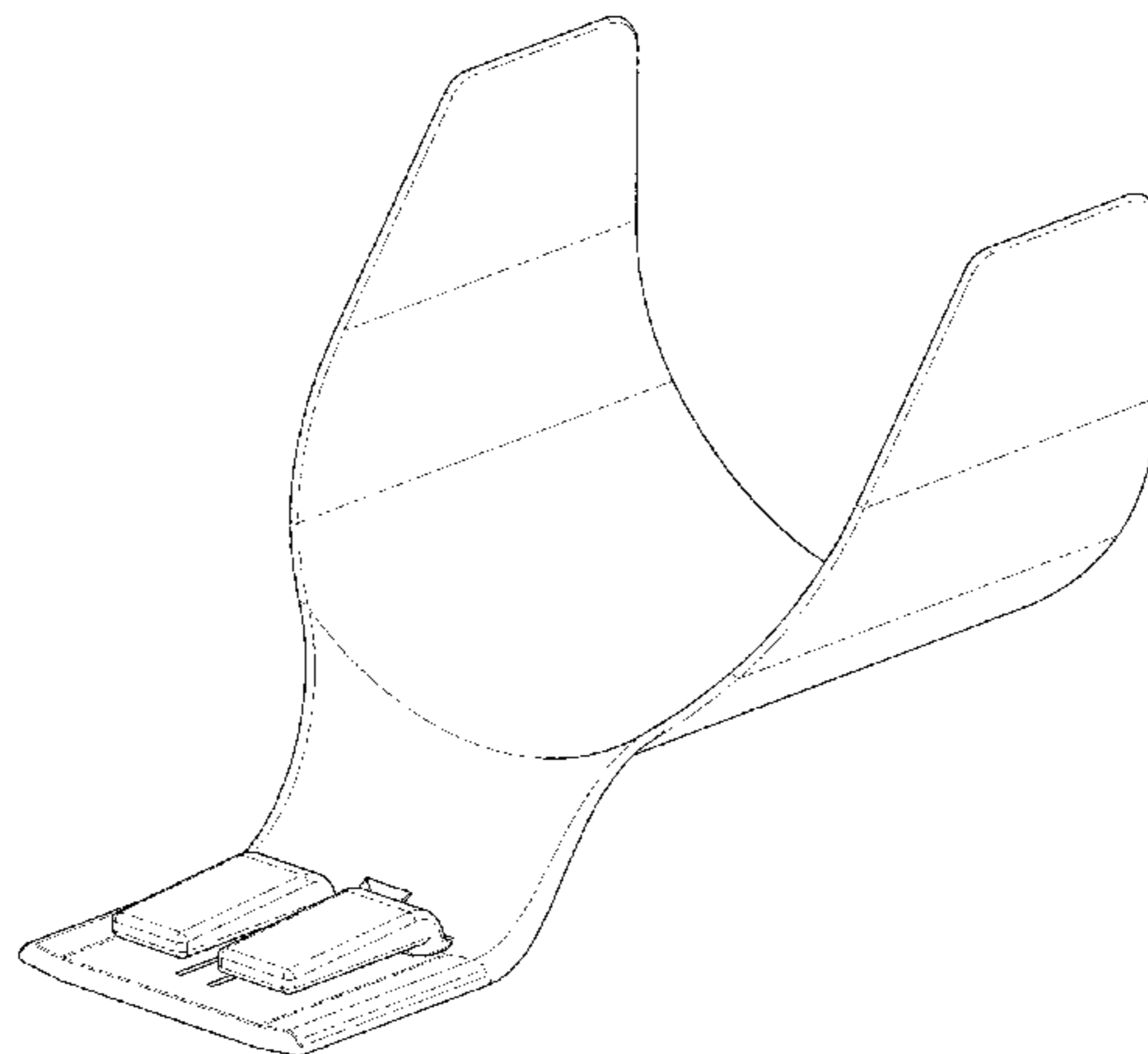
(57) **CLAIM**

The ornamental design for a head holder for patient table, as shown and described.

DESCRIPTION

FIG. 1 is a front elevational view of a head holder for patient table showing our new design;
FIG. 2 is a back elevational view thereof;
FIG. 3 is a top plan view thereof;
FIG. 4 is a bottom plan view thereof;
FIG. 5 is a side elevational view of the right side thereof;
FIG. 6 is a side elevational view of the left side thereof;
FIG. 7 is a top, right perspective view thereof; and,
FIG. 8 is a bottom, right perspective view thereof.

1 Claim, 8 Drawing Sheets



US D837,385 S

Page 2

(58) **Field of Classification Search**

CPC 1/0218; A61H 1/0292; A63B 2023/003;
A63B 2023/006; A63B 21/00047

See application file for complete search history.

(56) **References Cited**

U.S. PATENT DOCUMENTS

5,233,713 A * 8/1993 Murphy A61G 13/121
5/601
5,537,702 A * 7/1996 Brown-Milants A61B 6/0421
128/845
D373,275 S * 9/1996 Bell D6/601
6,315,783 B1 * 11/2001 Katz A61B 90/14
606/130
6,394,544 B1 * 5/2002 Bieven B60N 2/26
297/283.4
7,080,420 B2 * 7/2006 Damron A61G 13/12
5/622

7,117,551 B1 * 10/2006 Dinkler, II A61G 13/12
5/622
D539,572 S * 4/2007 Nguyen D6/716.5
7,424,759 B2 * 9/2008 Damron A61G 13/121
5/640
8,099,150 B2 * 1/2012 Piferi A61B 90/11
600/415
8,548,569 B2 * 10/2013 Piferi A61B 90/14
600/415
D698,448 S * 1/2014 Heck D24/191
D731,813 S * 6/2015 Durkin D6/601
9,434,283 B2 * 9/2016 Spalter A47C 7/383
9,585,483 B2 * 3/2017 Wu A47C 7/38
D797,945 S * 9/2017 Kim D24/184
2007/0272808 A1 * 11/2007 Schuerch A61G 15/125
248/118
2012/0283550 A1 * 11/2012 Driemel G01R 33/30
600/415
2016/0374630 A1 * 12/2016 Smith A61B 6/501
378/209
2017/0224117 A1 * 8/2017 DuFresne A47C 7/38

* cited by examiner

FIG 1

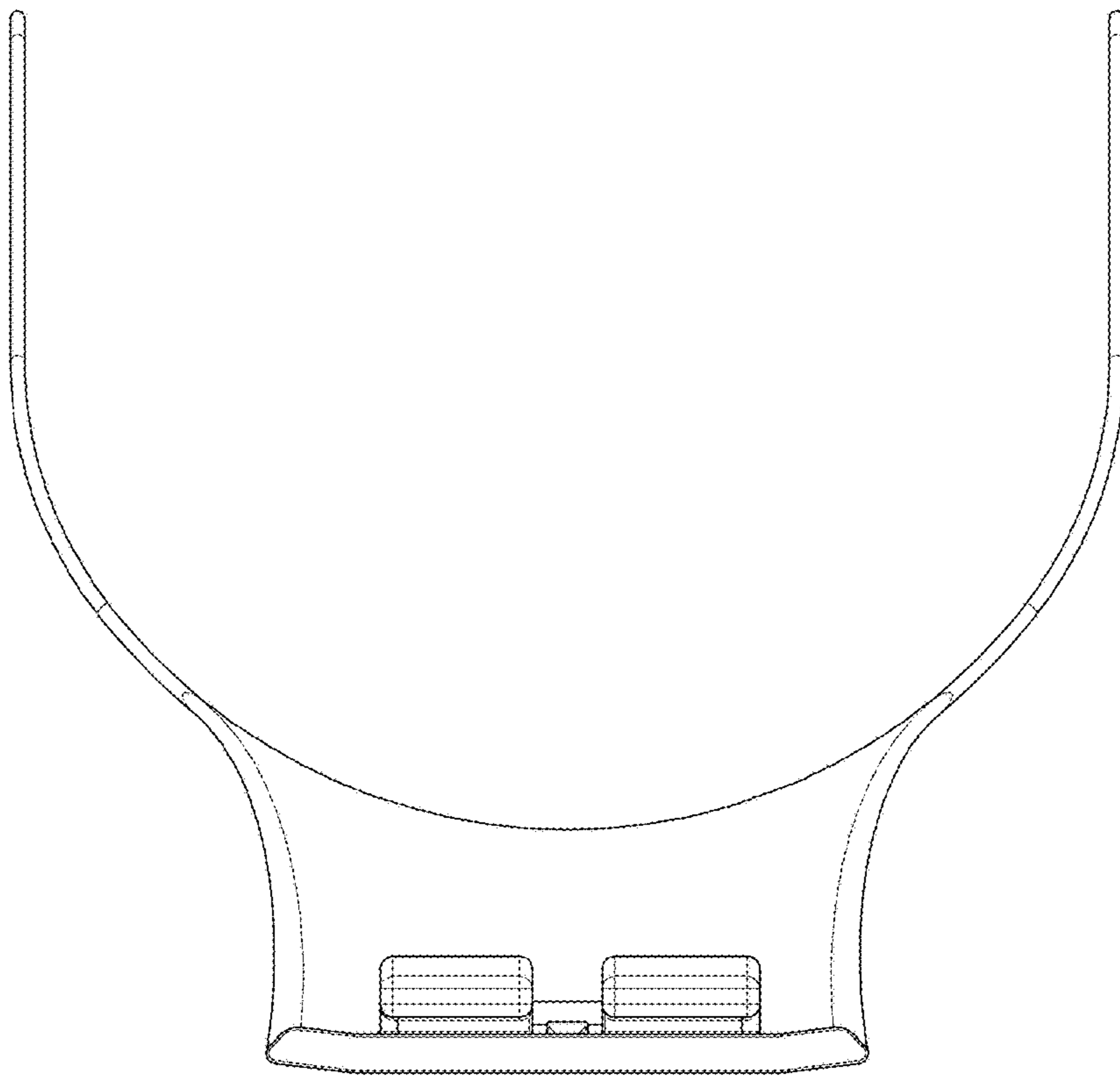


FIG 2

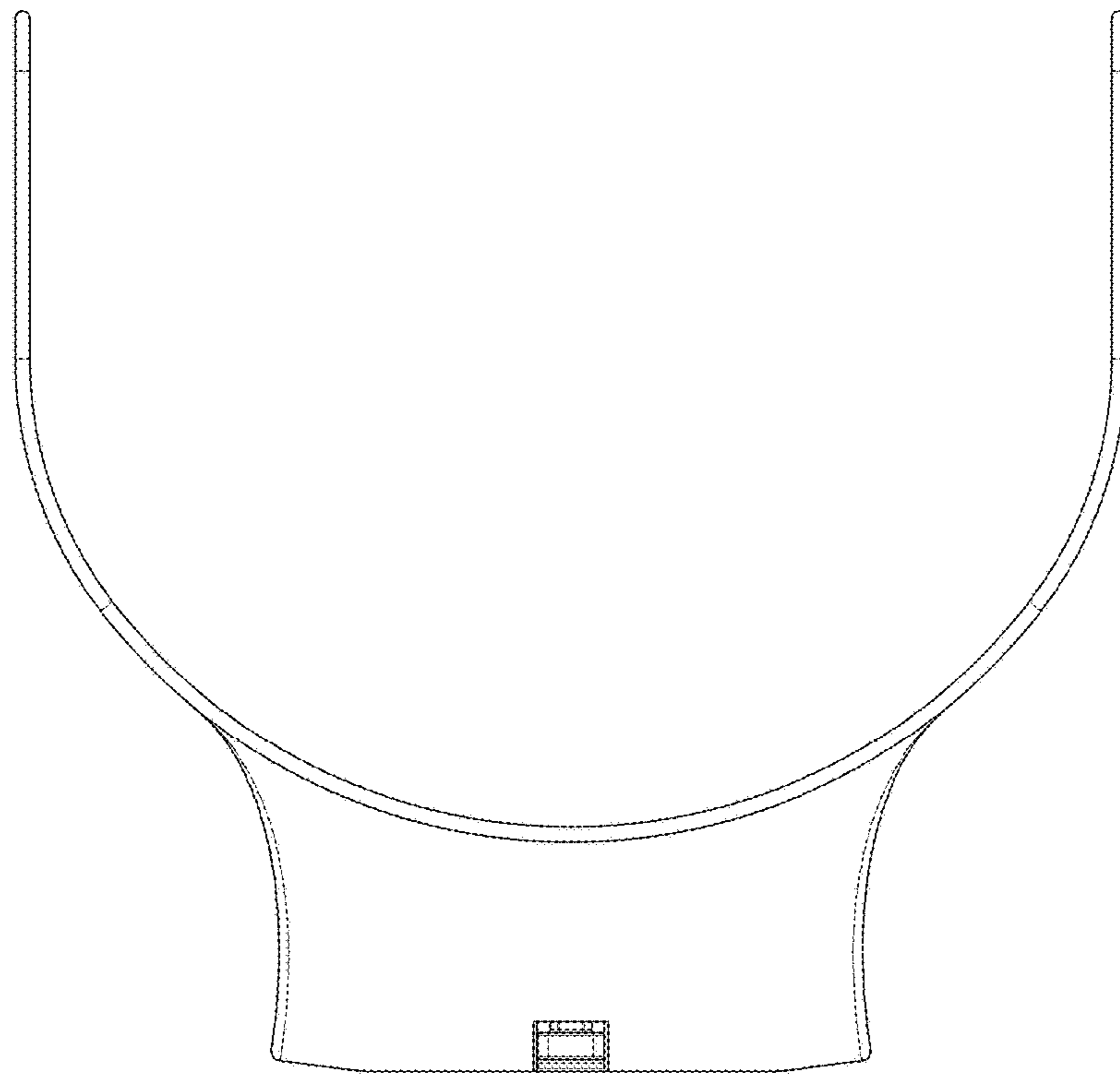


FIG 3

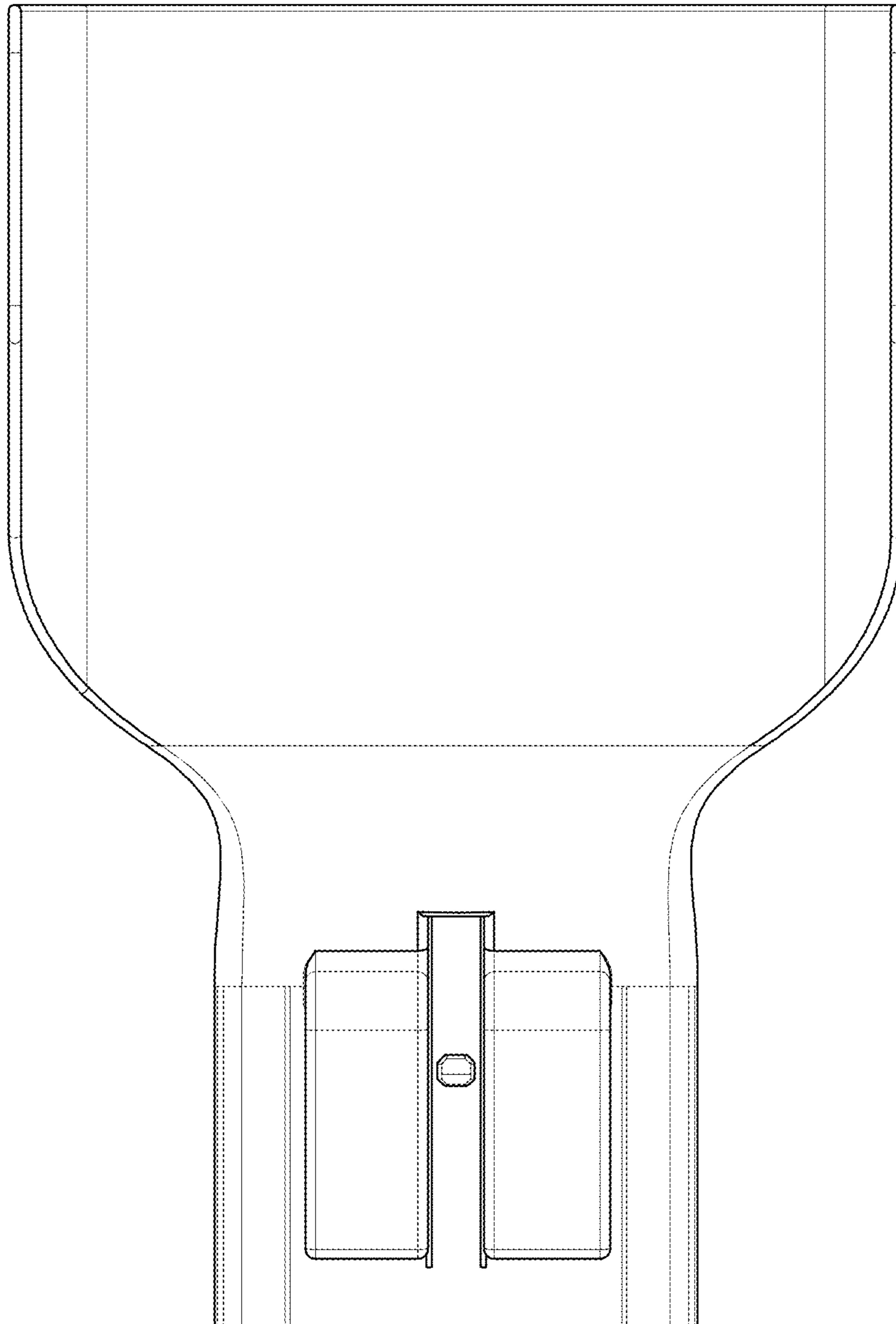


FIG 4

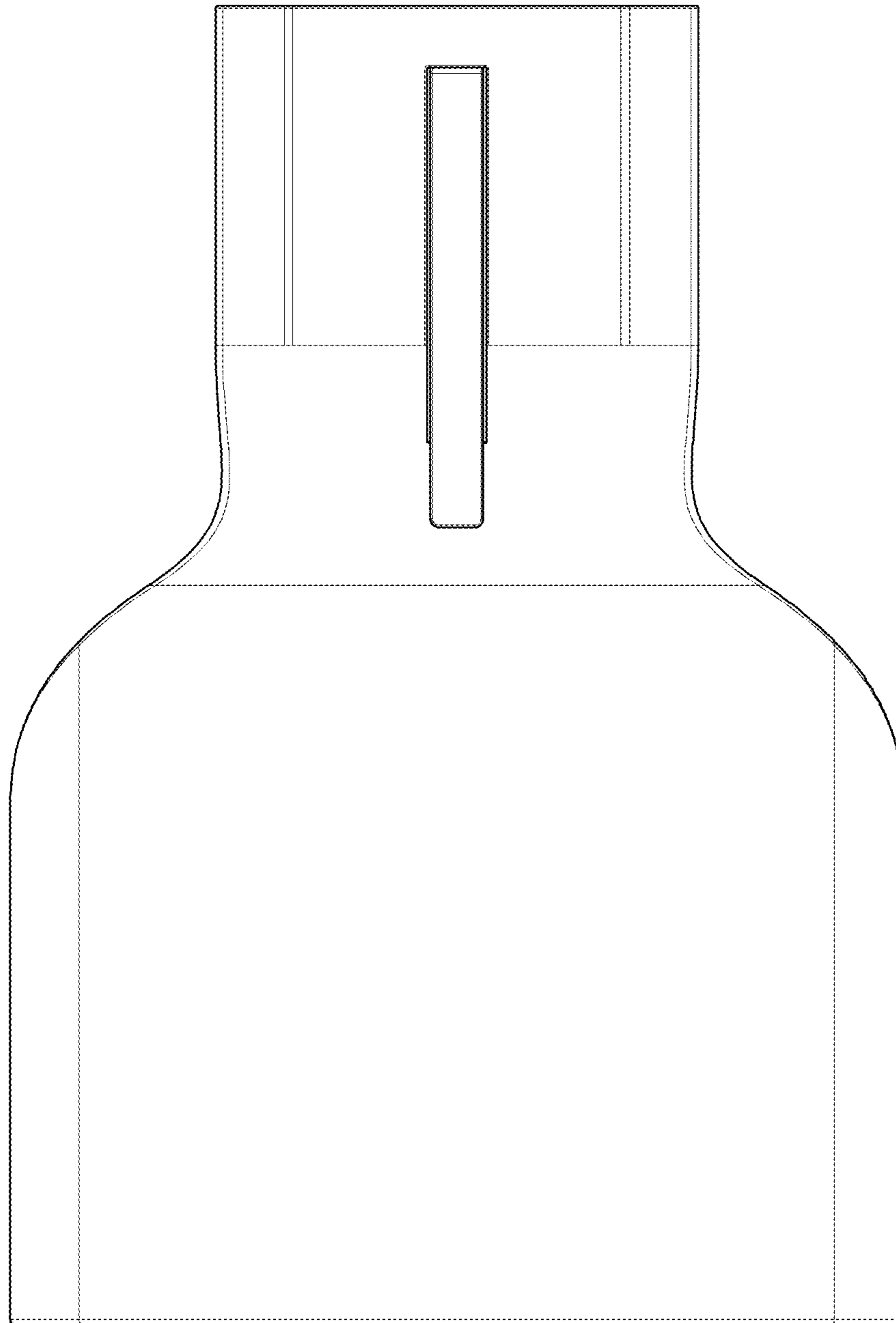


FIG 5

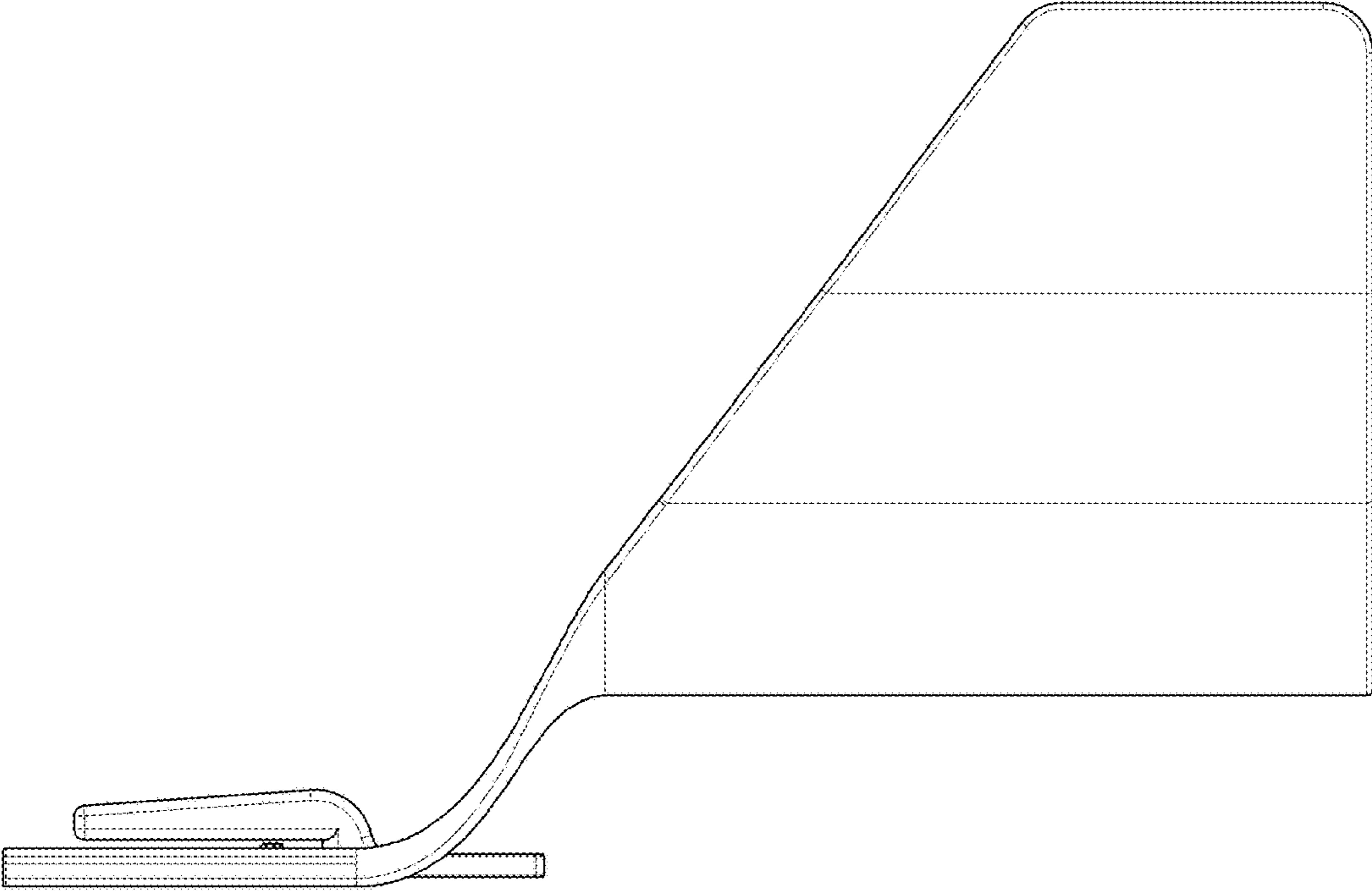


FIG 6

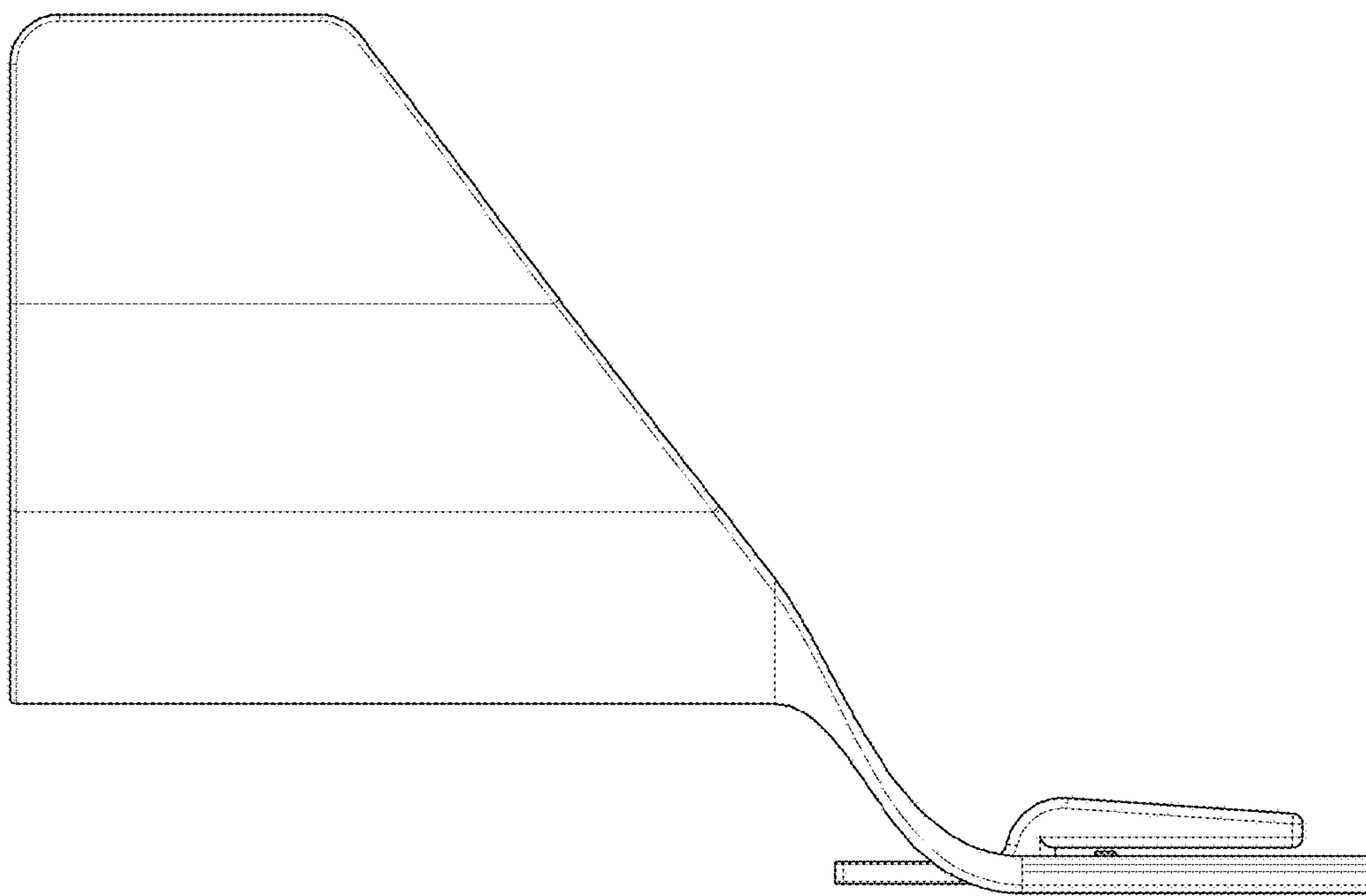


FIG 7

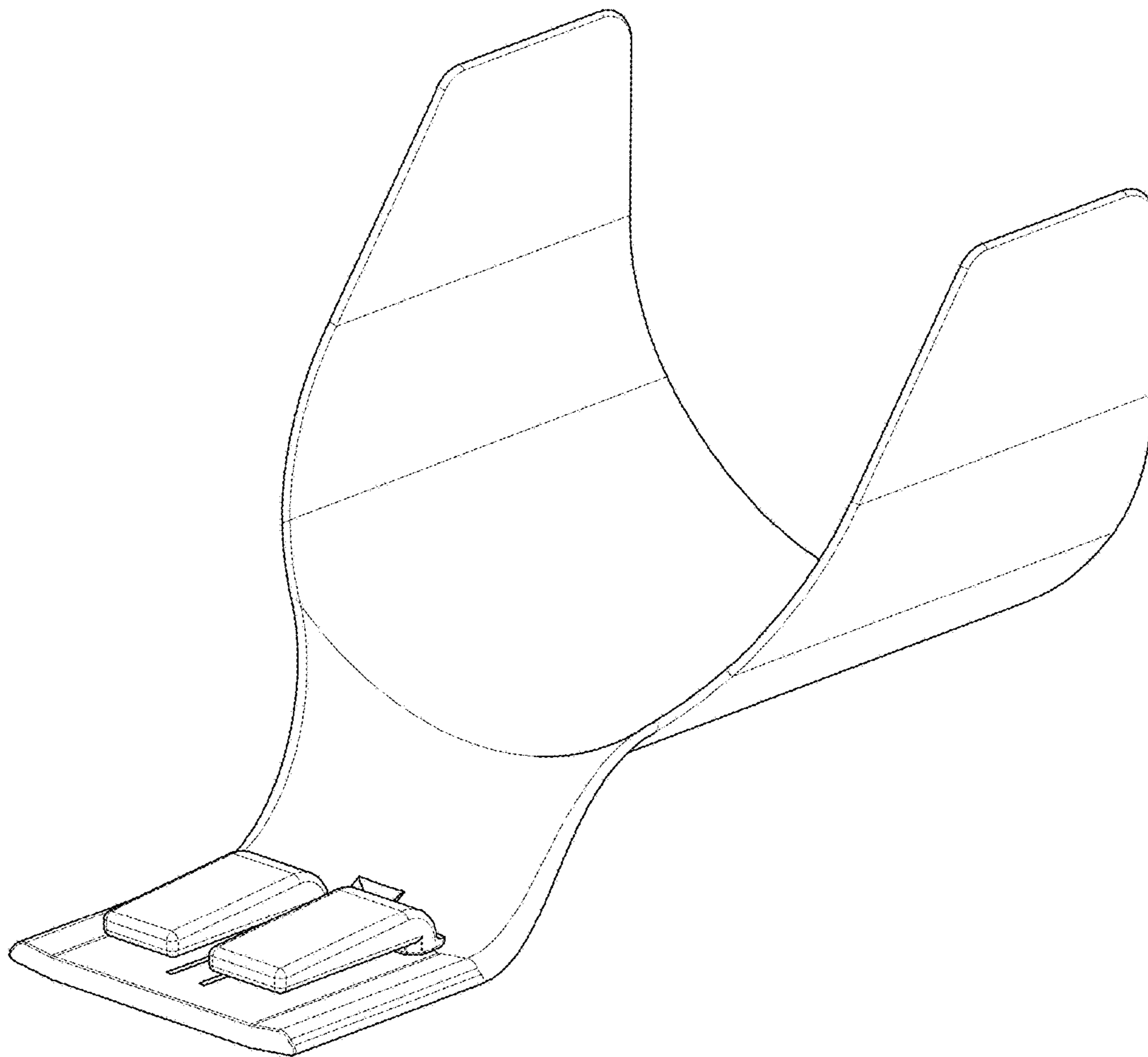


FIG 8

