



US00D837384S

(12) **United States Design Patent**
Burger

(10) **Patent No.:** **US D837,384 S**

(45) **Date of Patent:** **** Jan. 1, 2019**

(54) **BLANK**

(71) Applicant: **Ivoclar Vivadent AG**, Schaan (LI)

(72) Inventor: **Goran Burger**, Grabs (CH)

(73) Assignee: **Ivoclar Vivadent AG**, Schaan (LI)

(**) Term: **15 Years**

(21) Appl. No.: **29/593,093**

(22) Filed: **Feb. 6, 2017**

(30) **Foreign Application Priority Data**

Dec. 8, 2016 (WO) 1626901

(51) **LOC (11) Cl.** **24-02**

(52) **U.S. Cl.**
USPC **D24/181**

(58) **Field of Classification Search**
USPC D24/152, 155-156, 176, 181-182
CPC . A61C 13/00; A61C 13/0003; A61C 13/0009;
A61C 13/0019; A61C 13/0022; A61C
13/08; A61C 13/34; A61C 5/77; B23Q
3/062; B23Q 3/103
See application file for complete search history.

(56) **References Cited**

U.S. PATENT DOCUMENTS

- 5,342,696 A * 8/1994 Eidenbenz A61C 13/0003
269/287
- 6,482,284 B1 * 11/2002 Reidt A61C 13/0022
156/200
- D618,807 S * 6/2010 Konrad D24/181
- 8,425,812 B2 * 4/2013 Wagner A61C 13/0022
264/120
- 8,940,402 B2 * 1/2015 Giordano A61C 13/0022
428/542.8
- D736,389 S * 8/2015 Baaske D24/181
- 9,155,598 B2 * 10/2015 Niewiadomski ... A61C 13/0009

- D767,147 S * 9/2016 Baaske D24/181
- 9,592,105 B2 * 3/2017 Hauptmann A61C 13/0022
- D819,215 S * 5/2018 Konrad D24/181
- 2003/0031984 A1 * 2/2003 Rusin A61C 5/77
433/215

* cited by examiner

Primary Examiner — Wan Laymon

(74) *Attorney, Agent, or Firm* — Ann M. Knab; Thad McMurray

(57) **CLAIM**

The ornamental design for a blank, as shown and described.

DESCRIPTION

FIG. 1 is a perspective view of a blank, showing my new design

FIG. 2 is a front view thereof.

FIG. 3 is a rear view thereof.

FIG. 4 is a left side view thereof.

FIG. 5 is a right side view thereof.

FIG. 6 is a top plan view thereof.

FIG. 7 is a bottom plan view thereof.

FIG. 8 is a perspective view of a blank with a hole, showing my new design

FIG. 9 is a front view of FIG. 8.

FIG. 10 is a rear view of FIG. 8.

FIG. 11 is a left side view of FIG. 8.

FIG. 12 is a right side view of FIG. 8.

FIG. 13 is a top plan view of FIG. 8.

FIG. 14 is a bottom plan view of FIG. 8.

FIG. 15 is a perspective view of a blank with a hole, showing my new design

FIG. 16 is a front view of FIG. 15.

FIG. 17 is a rear view of FIG. 15.

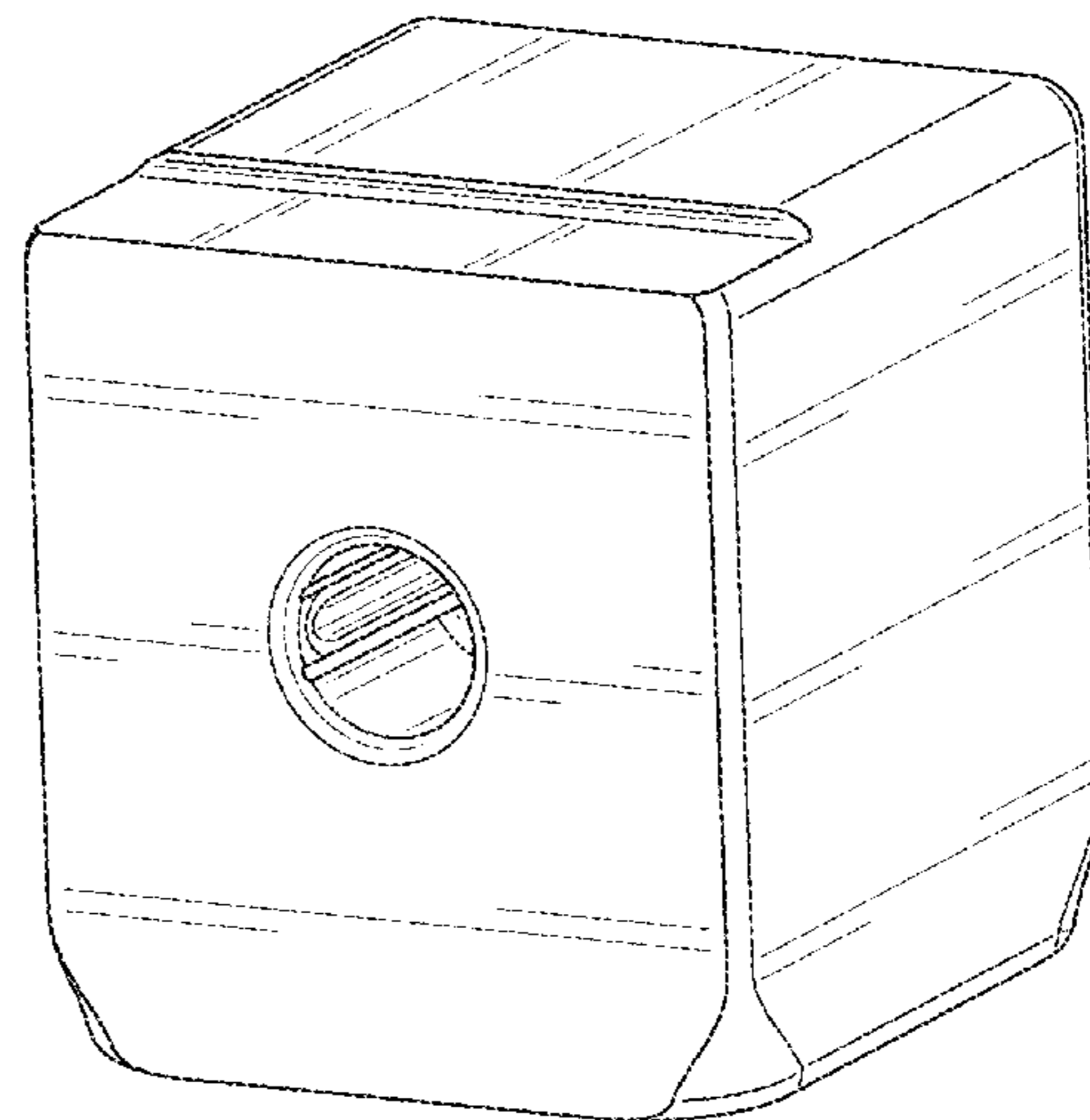
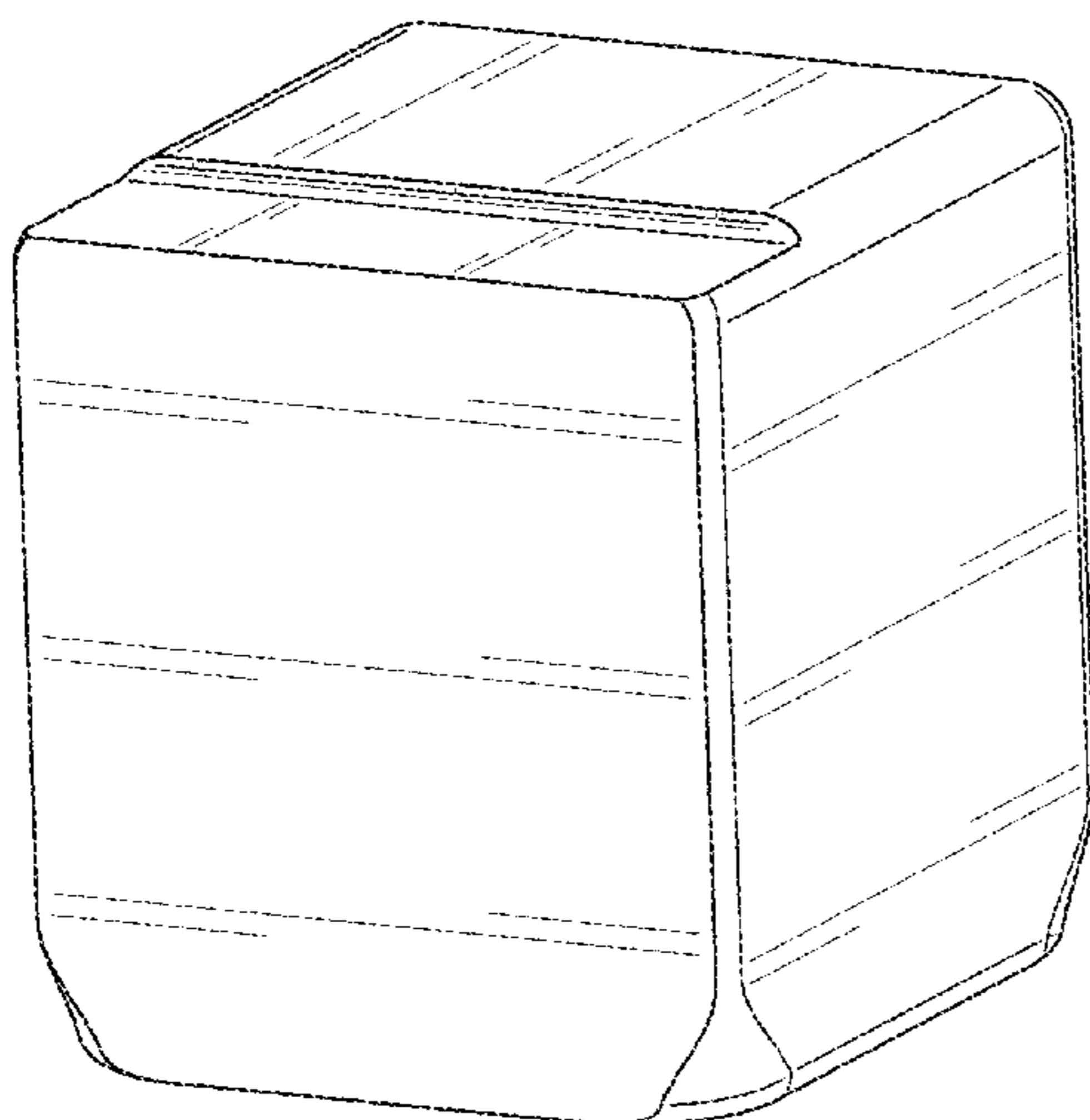
FIG. 18 is a left side view of FIG. 15.

FIG. 19 is a right side view of FIG. 15.

FIG. 20 is a top plan view of FIG. 15; and,

FIG. 21 is a bottom plan view of FIG. 15.

1 Claim, 21 Drawing Sheets



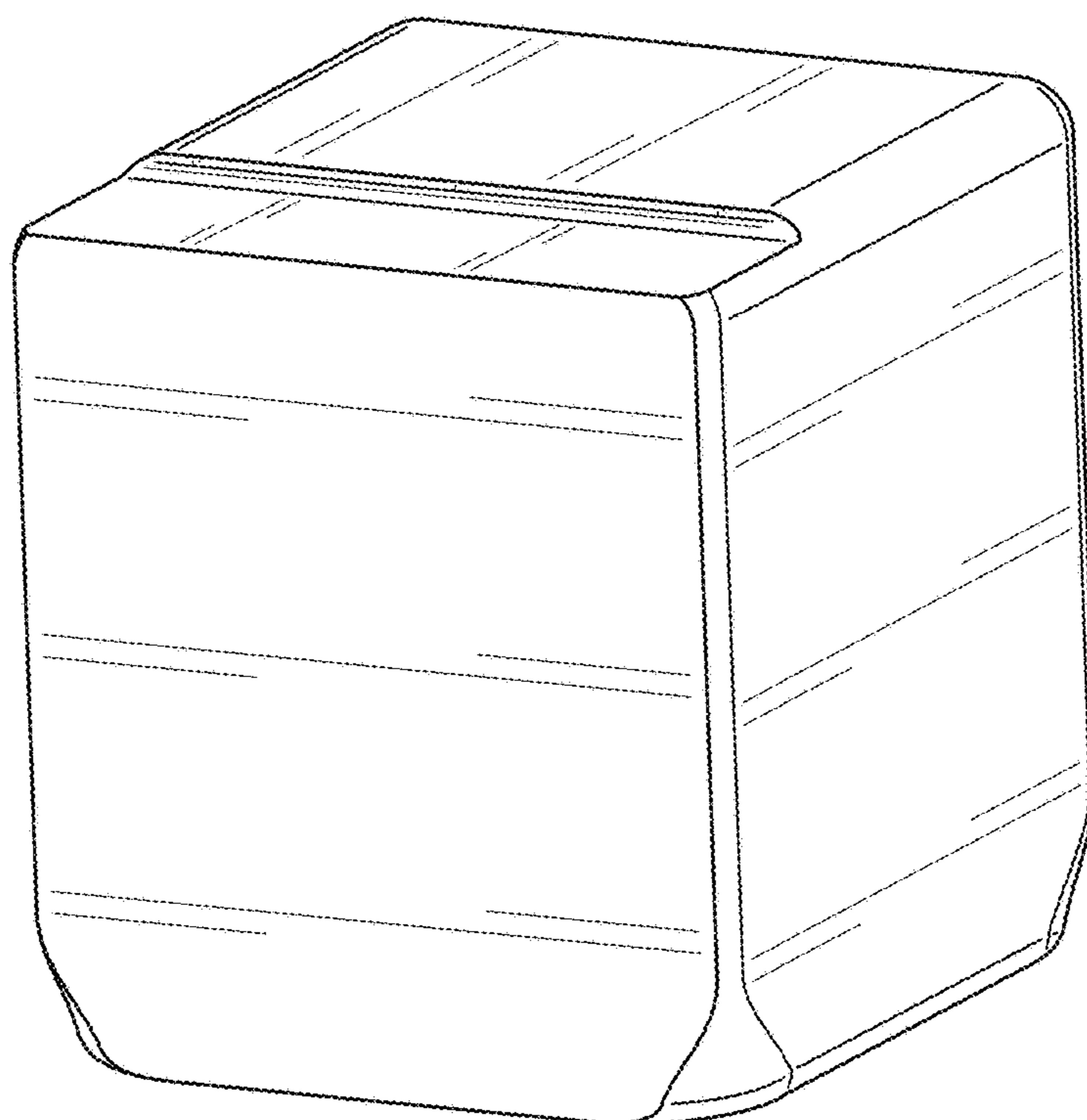


FIG. 1

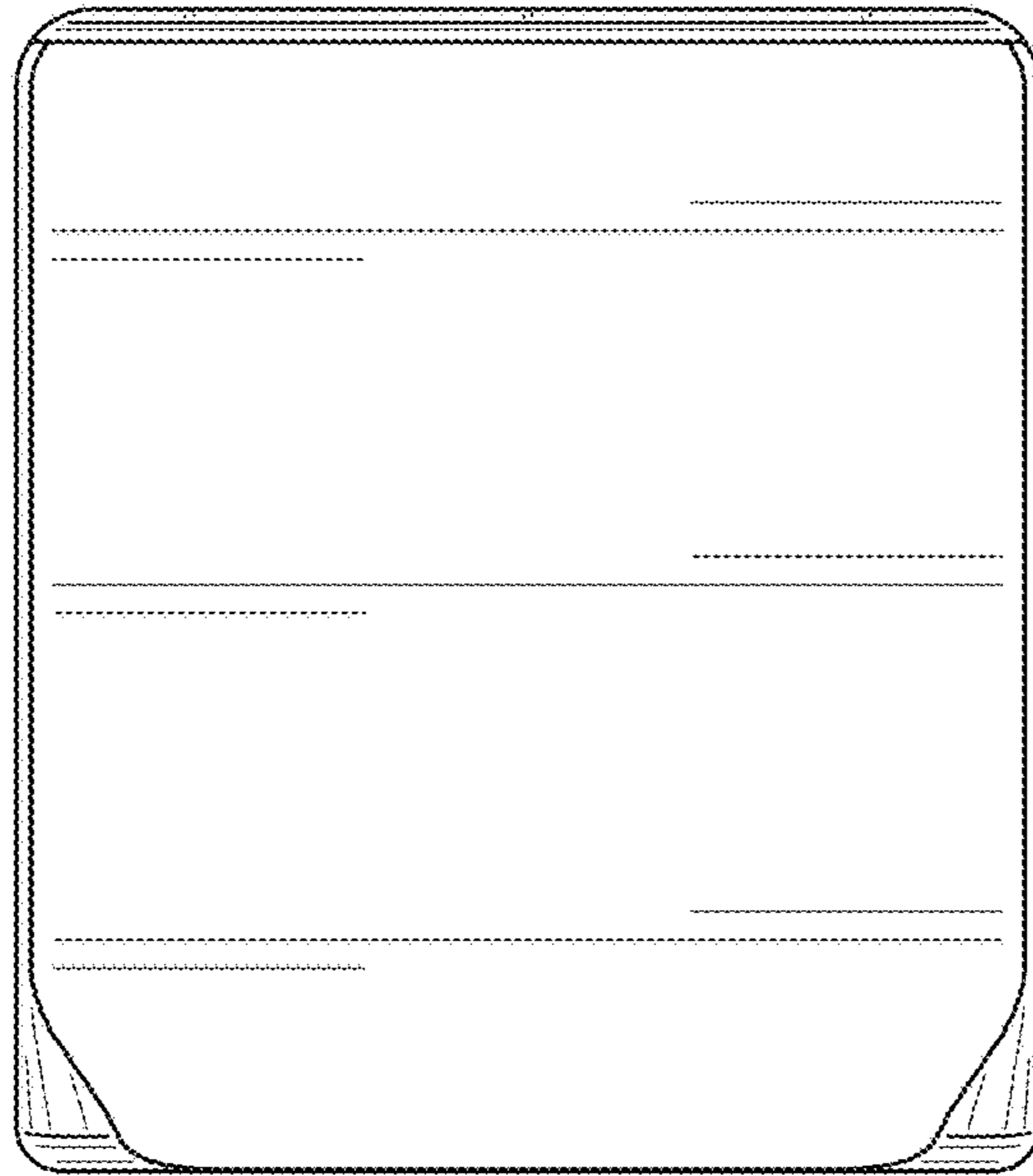


FIG. 2

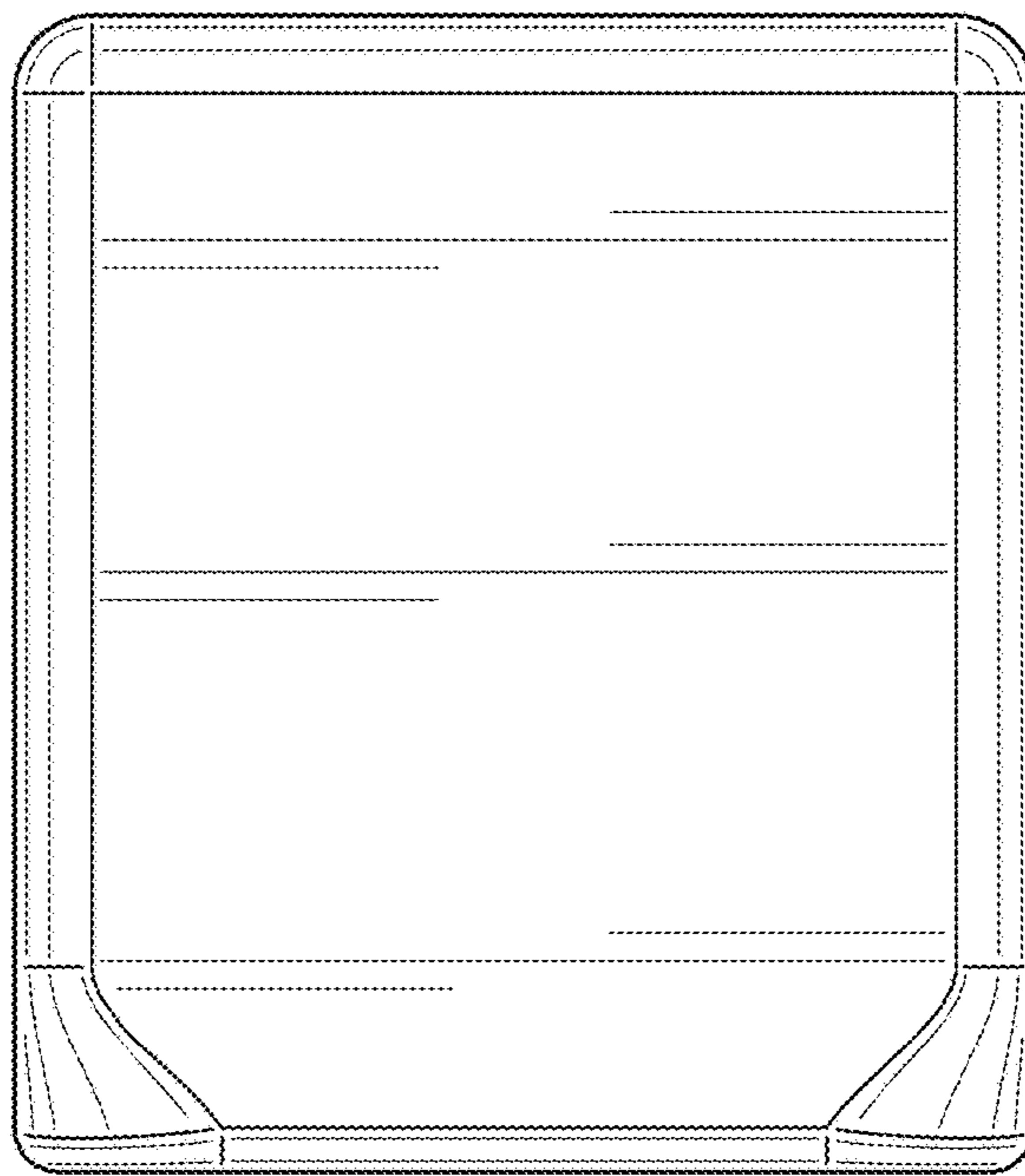


FIG. 3

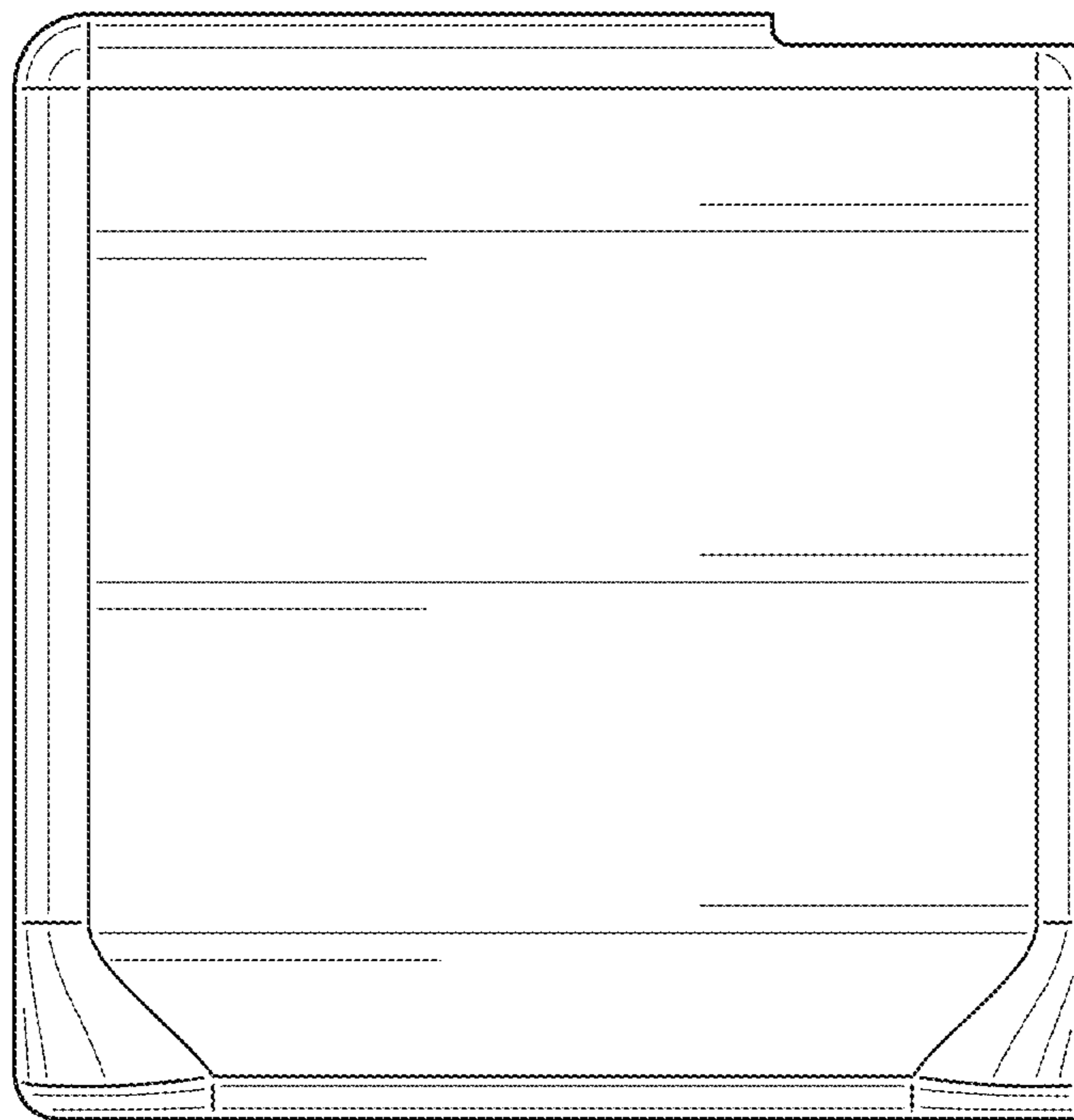


FIG. 4

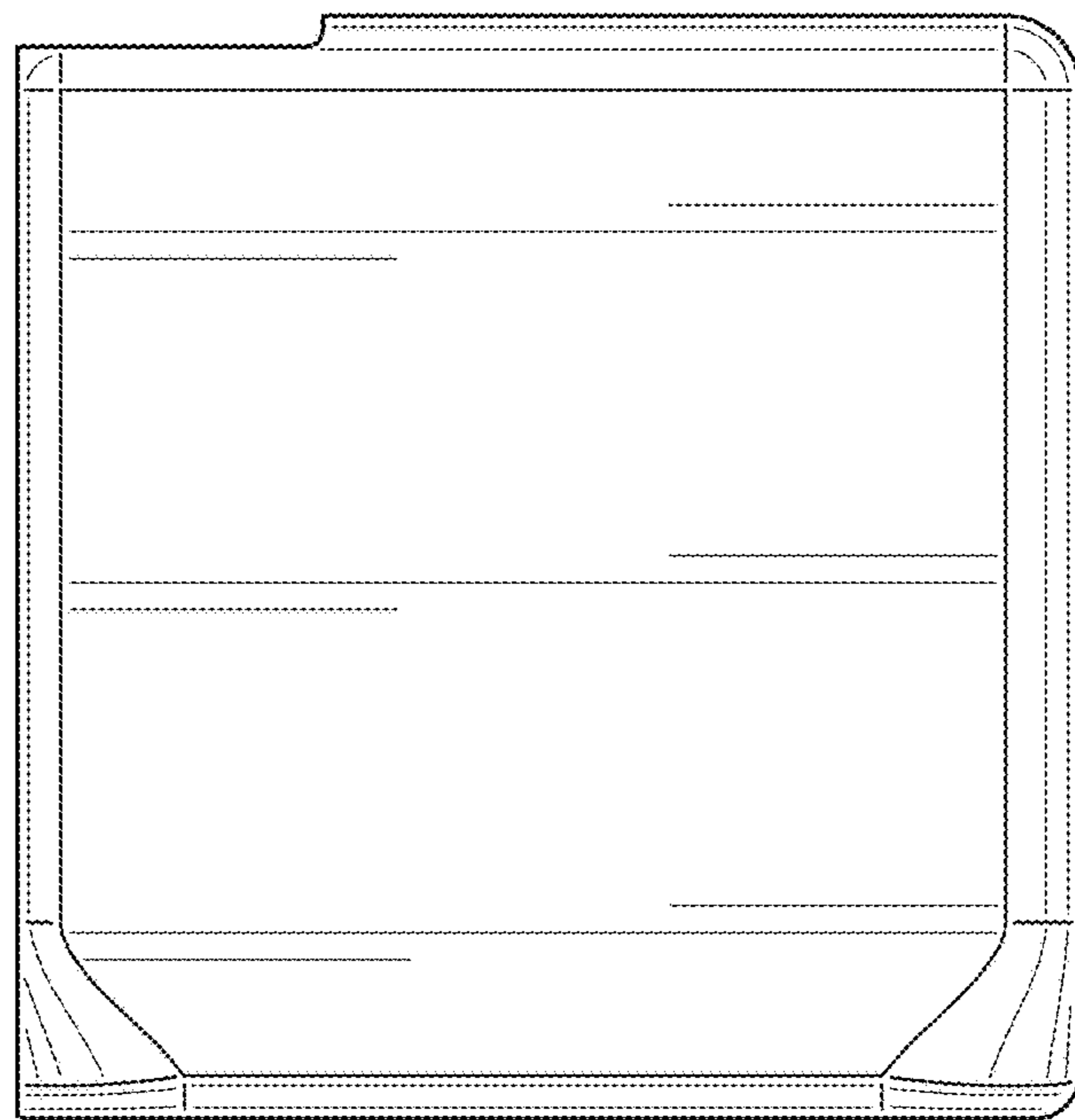


FIG. 5

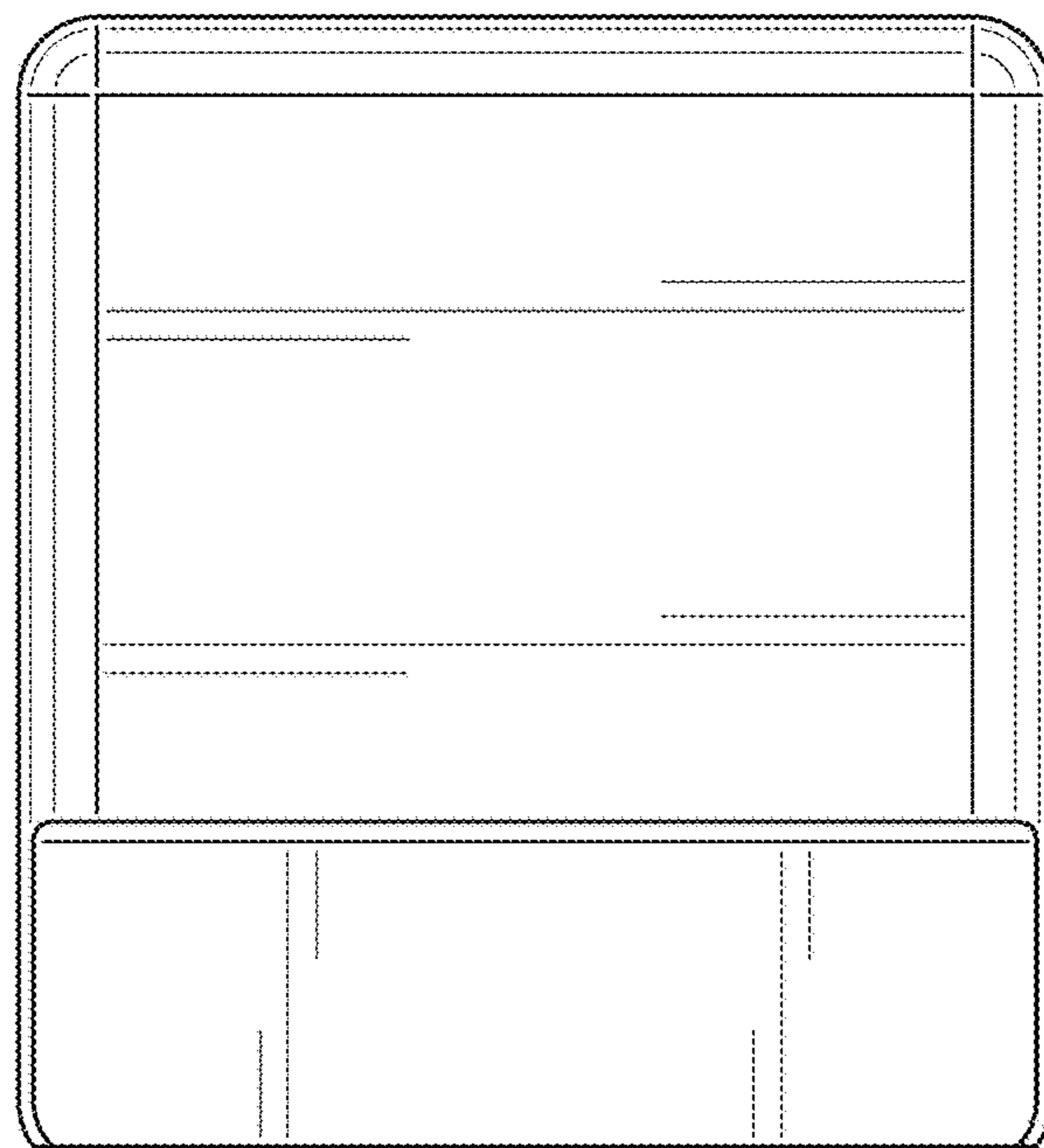


FIG. 6

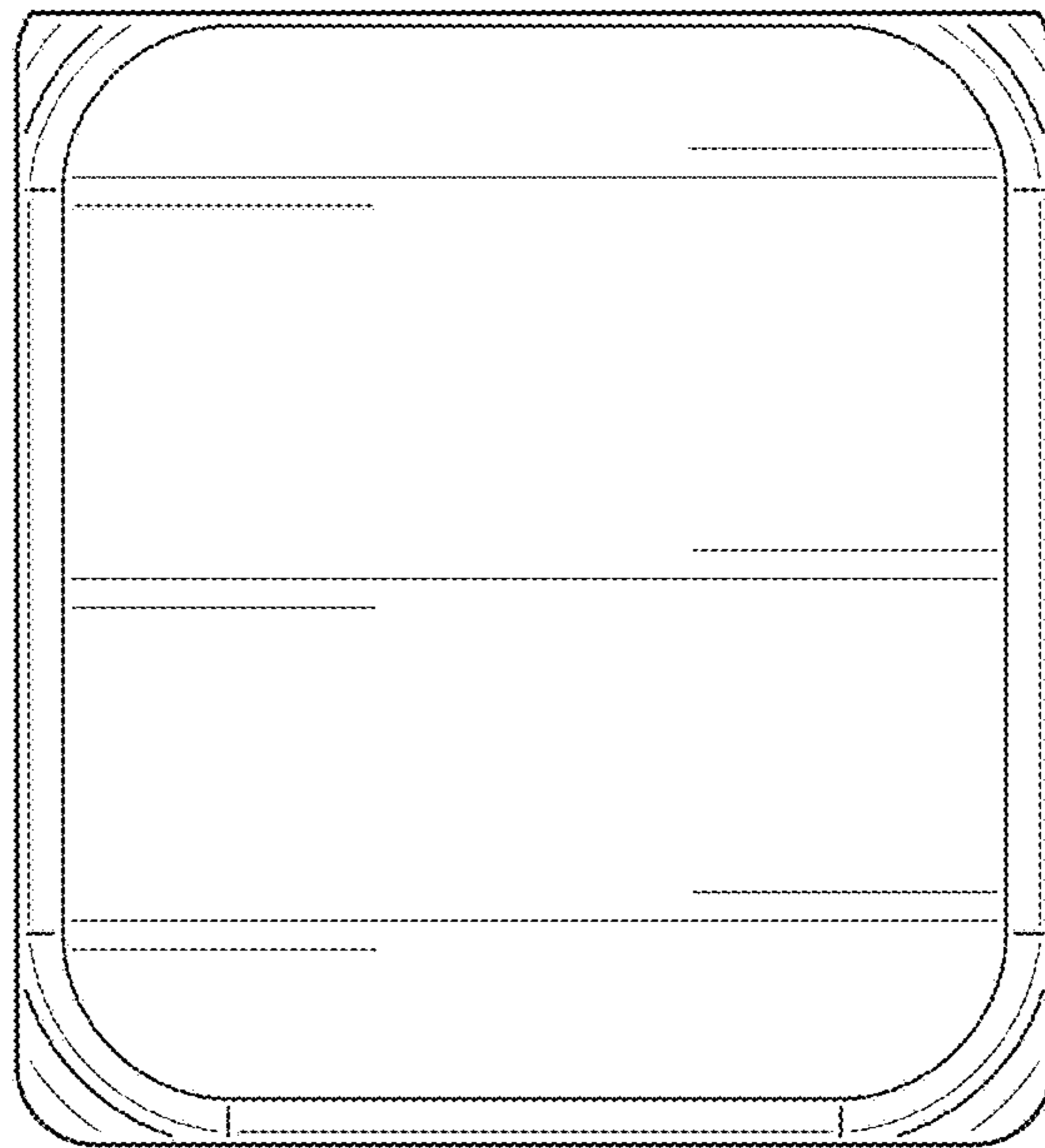


FIG. 7

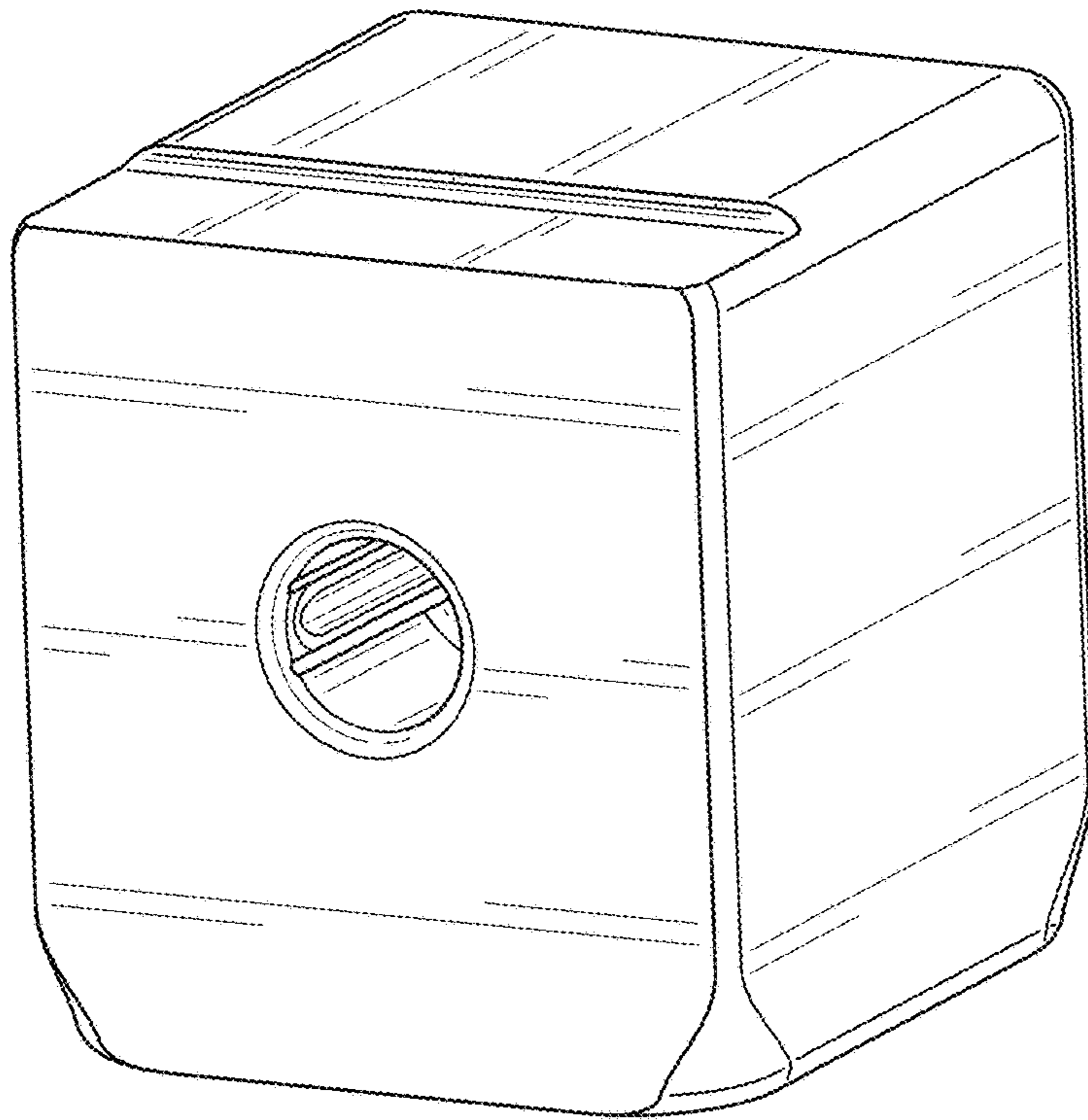


FIG. 8

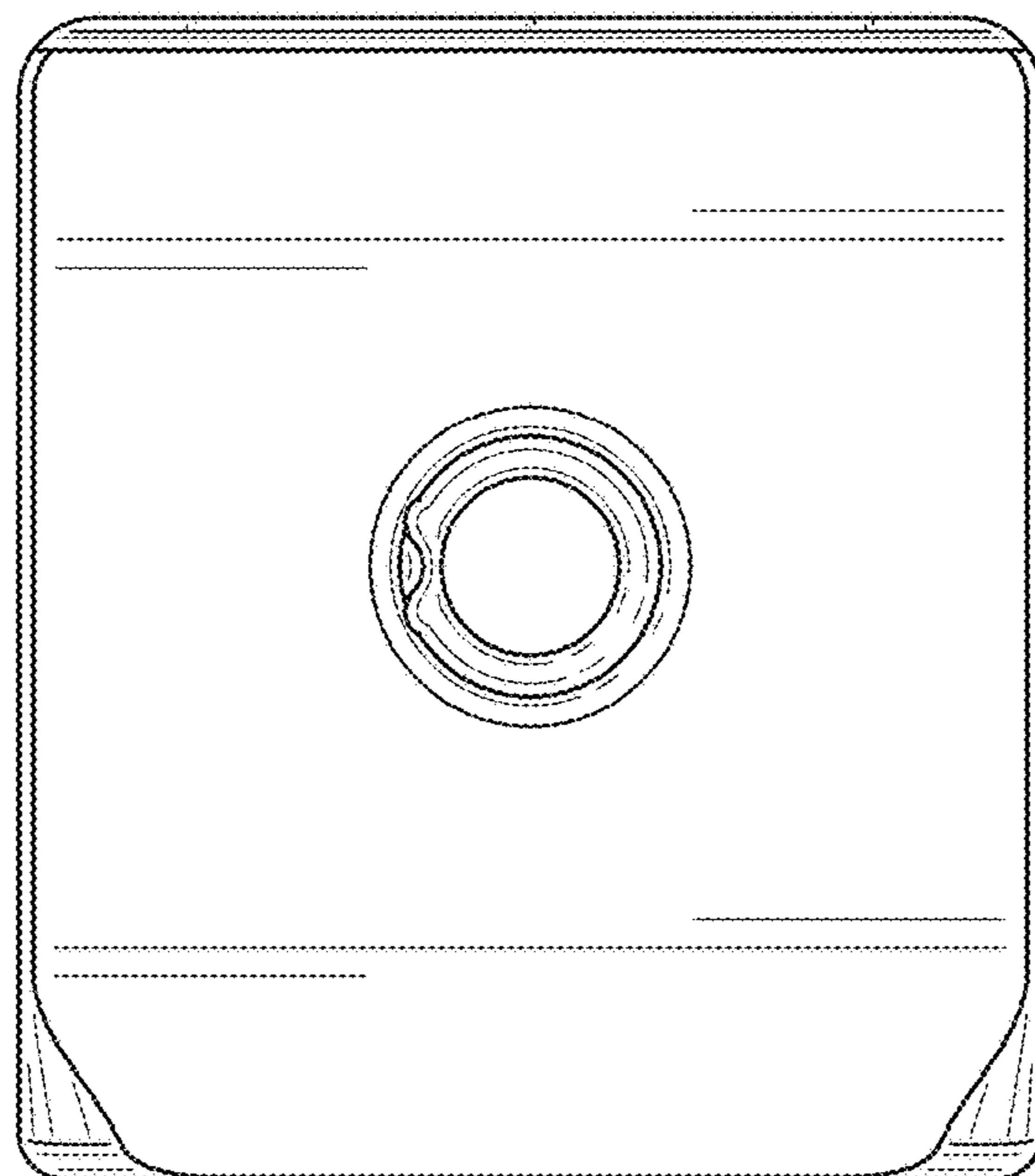


FIG. 9

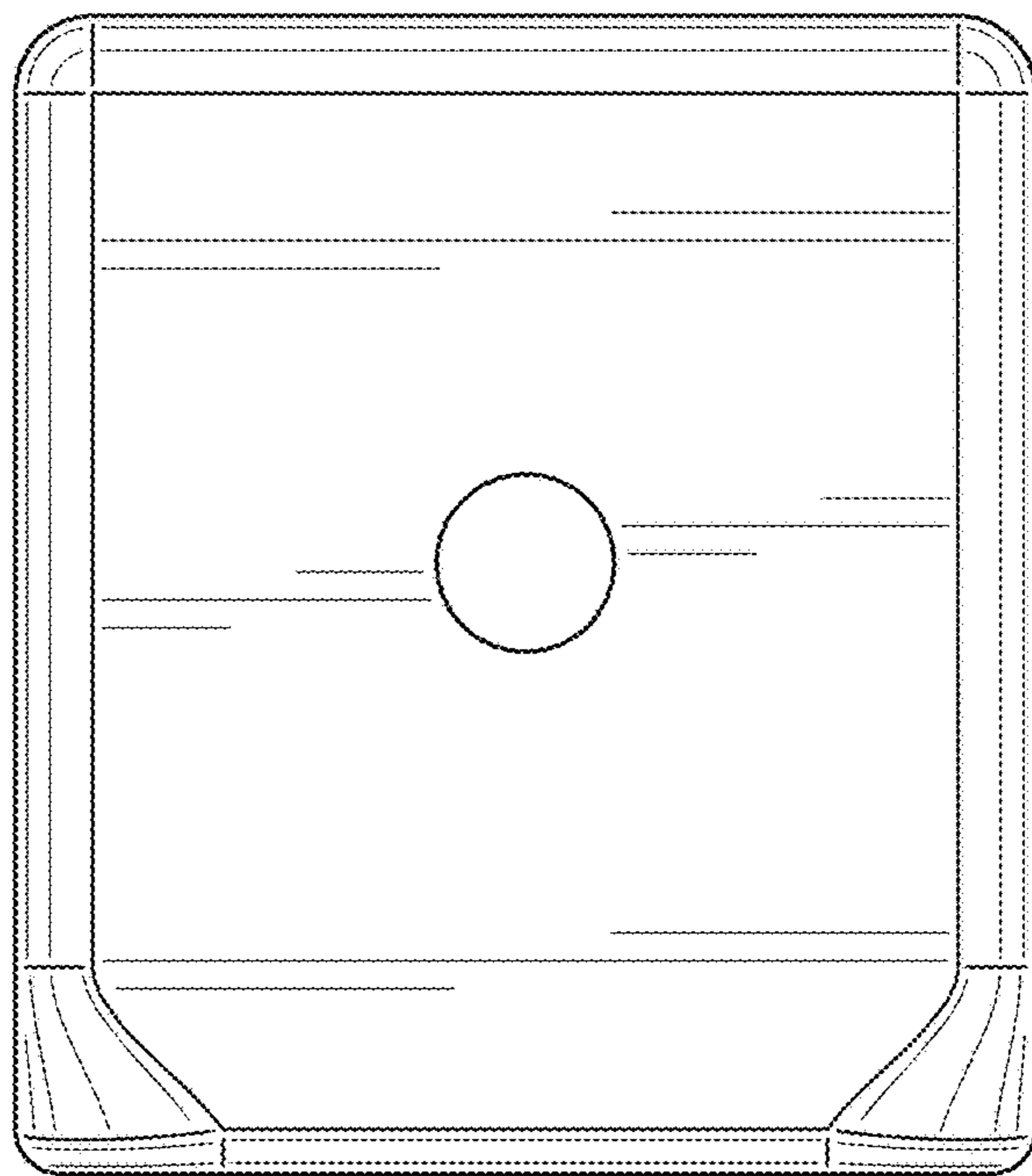


FIG. 10

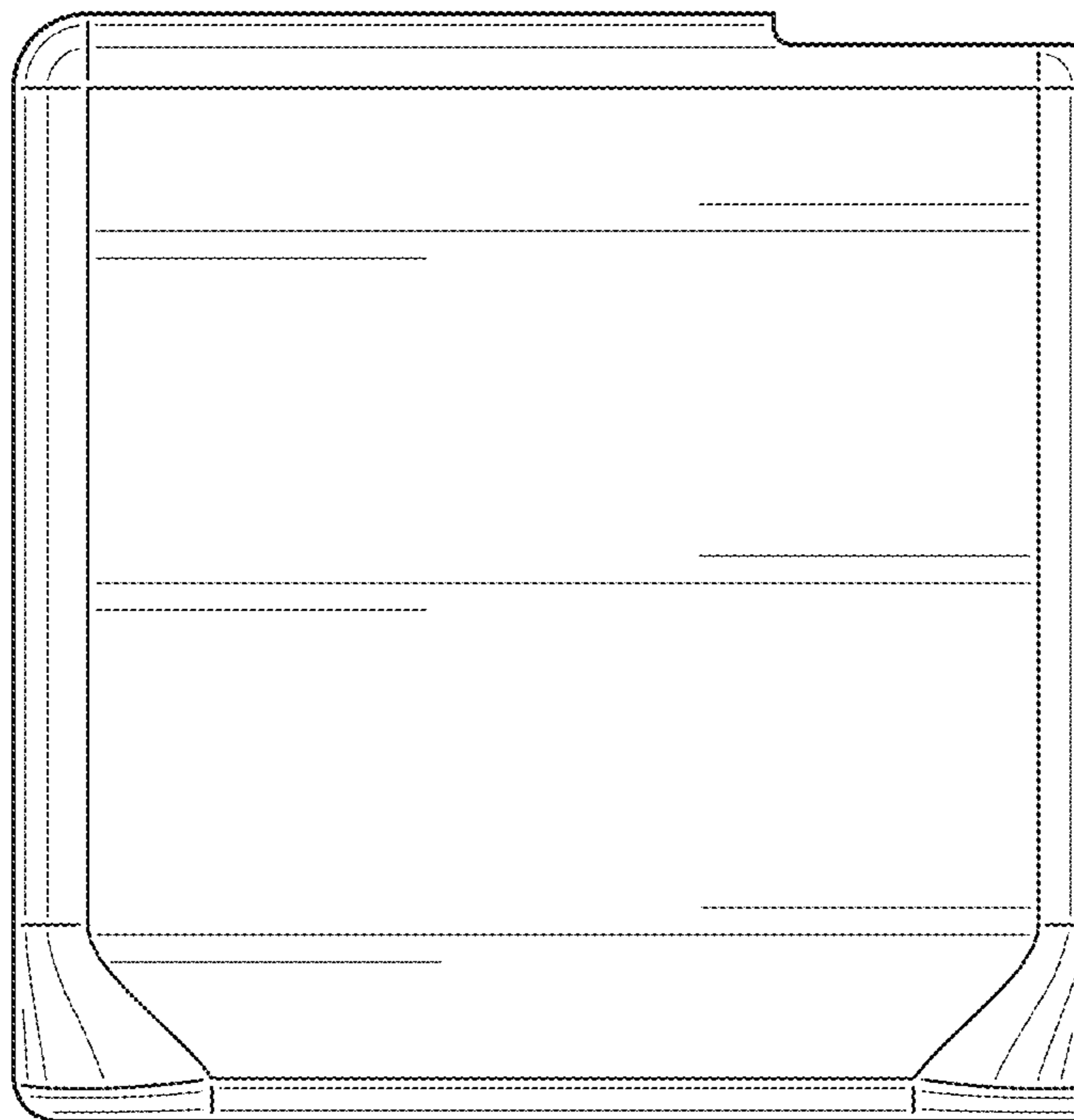


FIG. 11

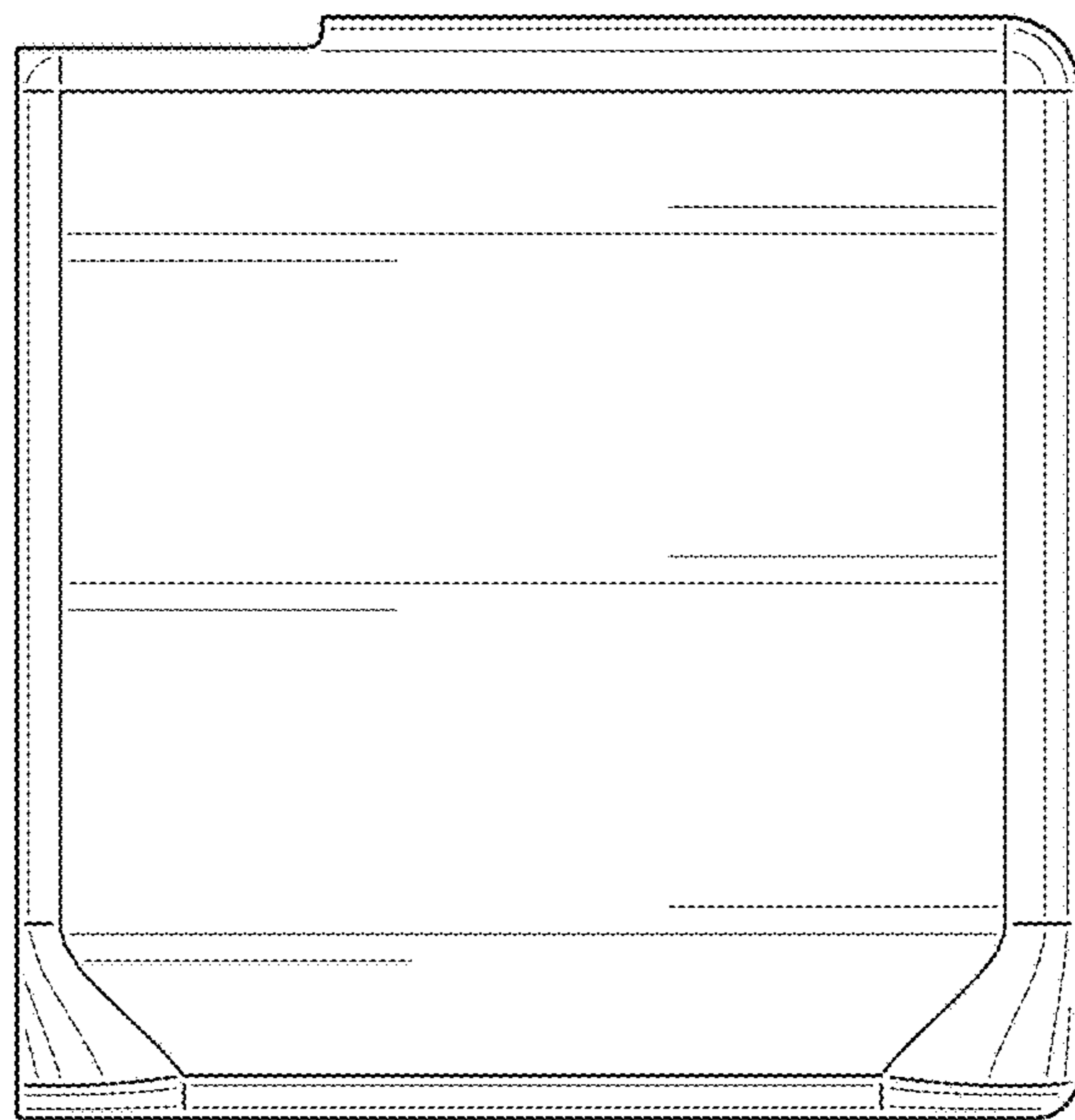


FIG. 12

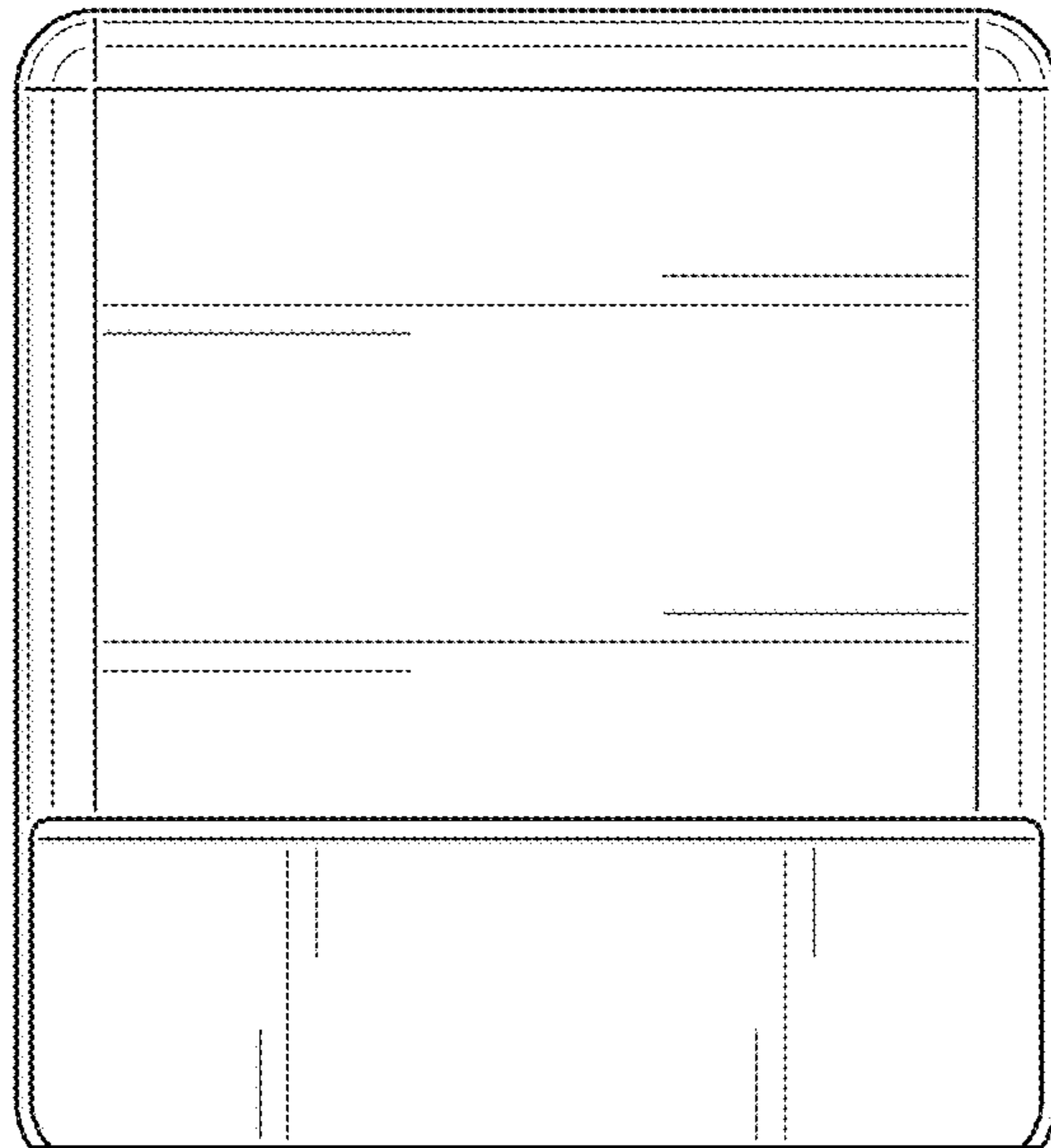


FIG. 13

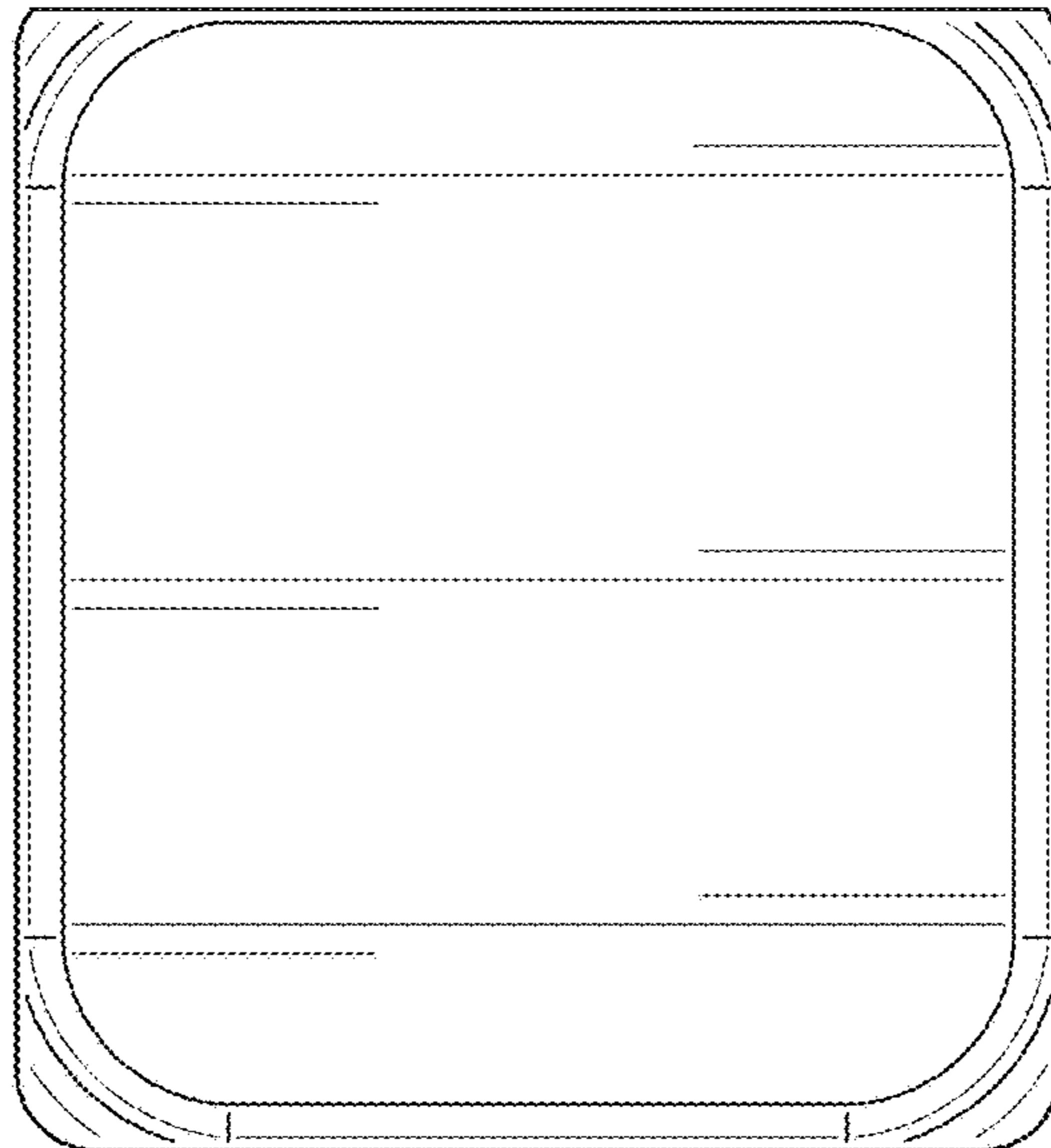


FIG. 14

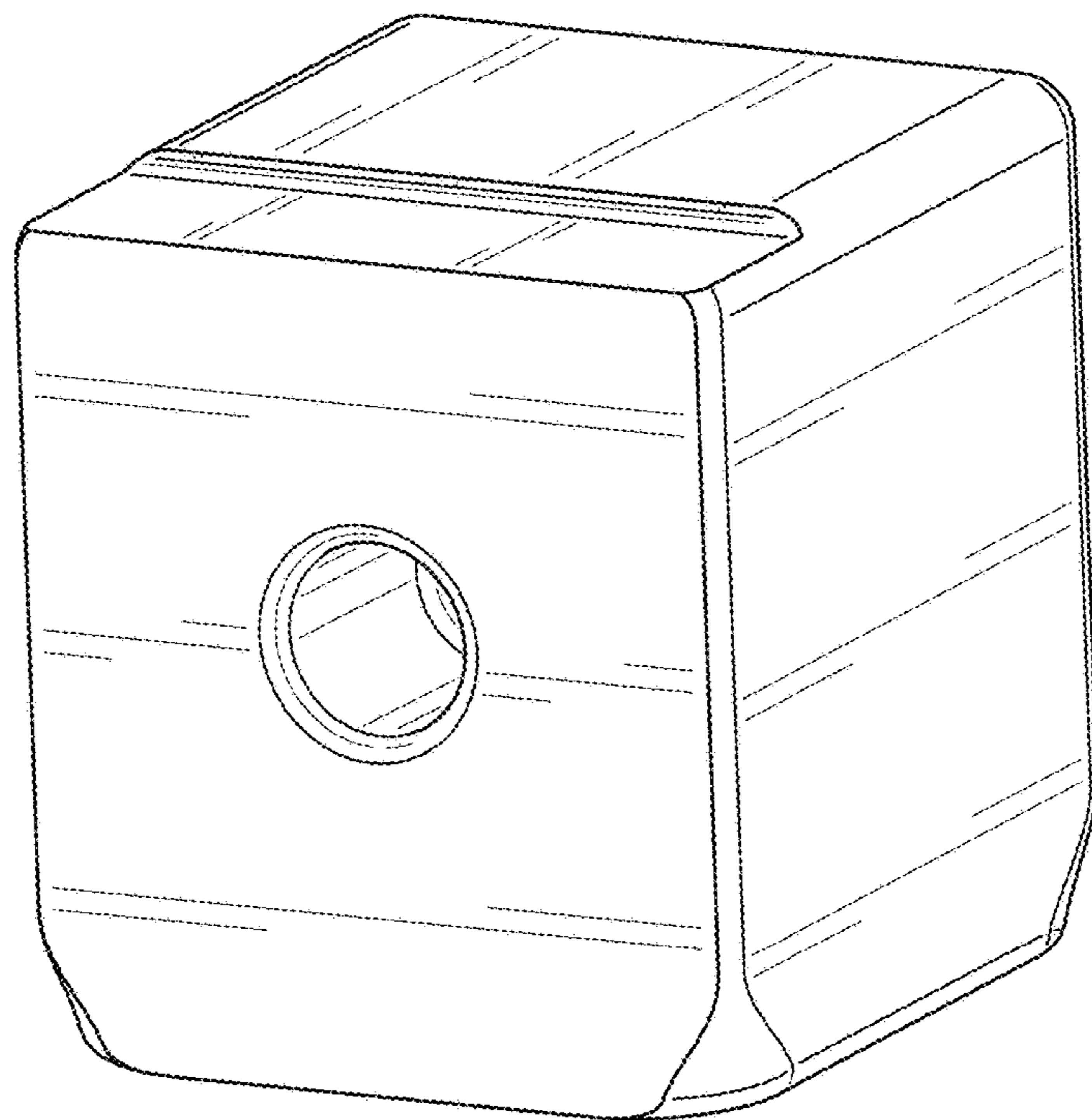


FIG. 15

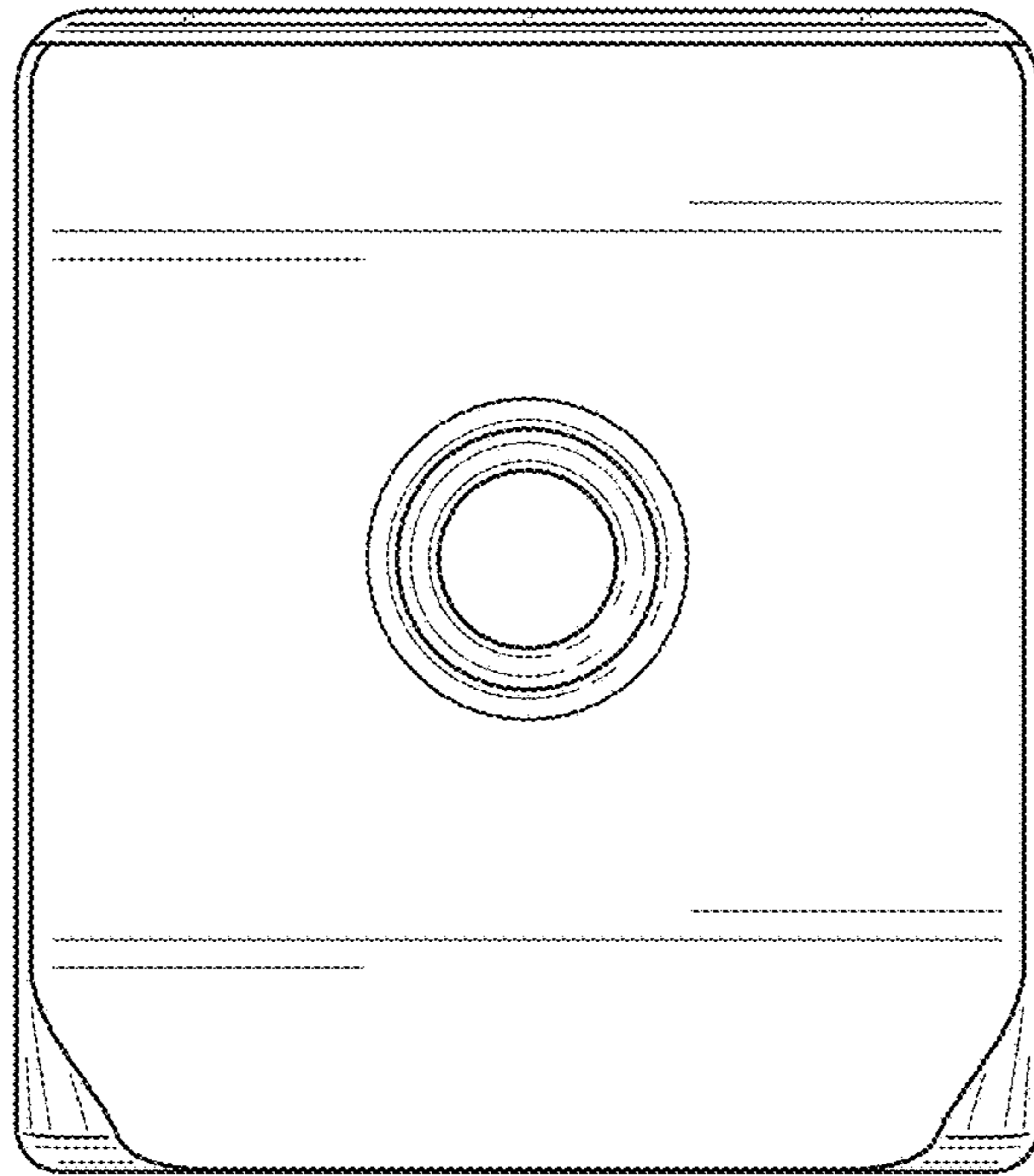


FIG. 16

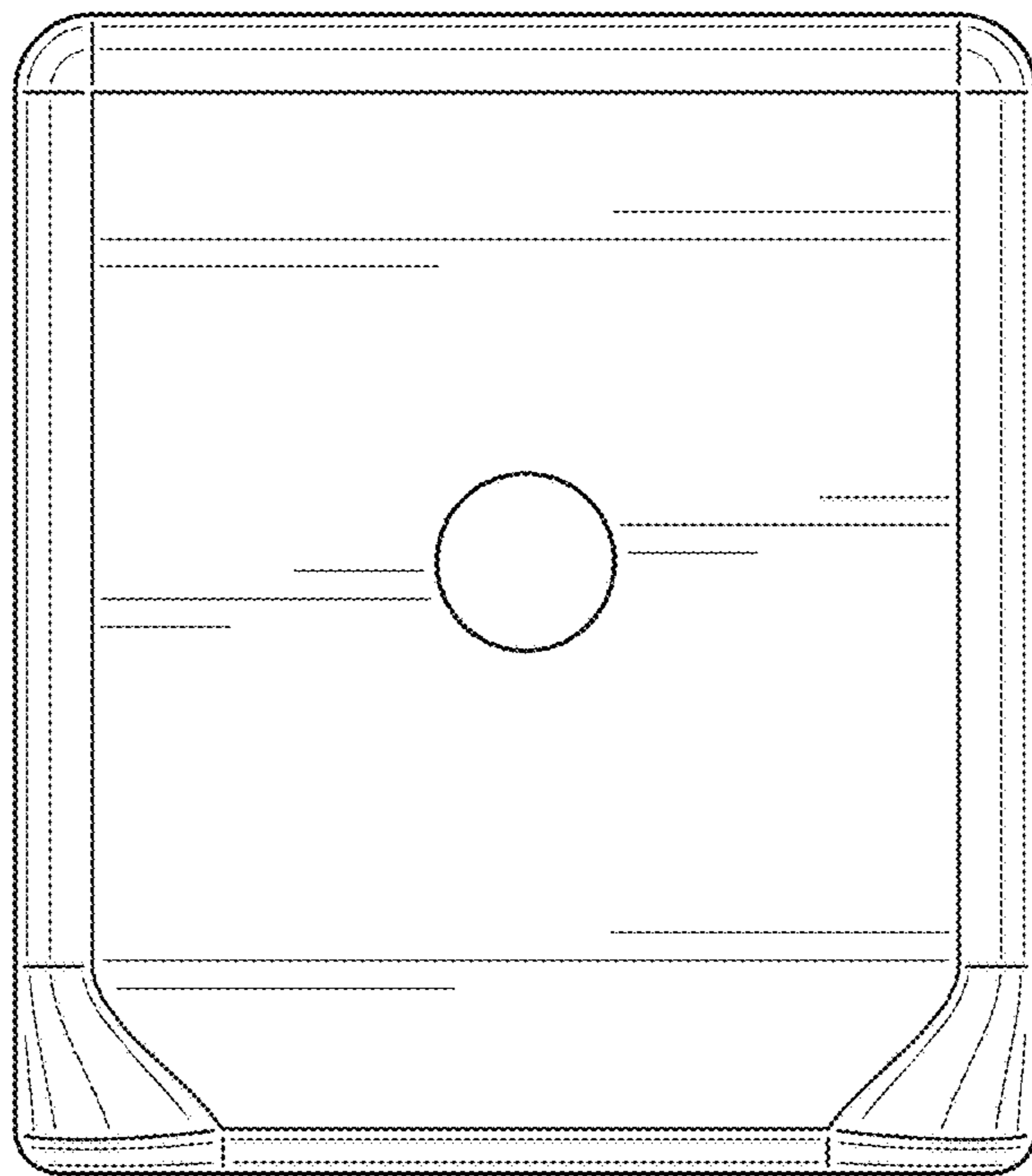


FIG. 17

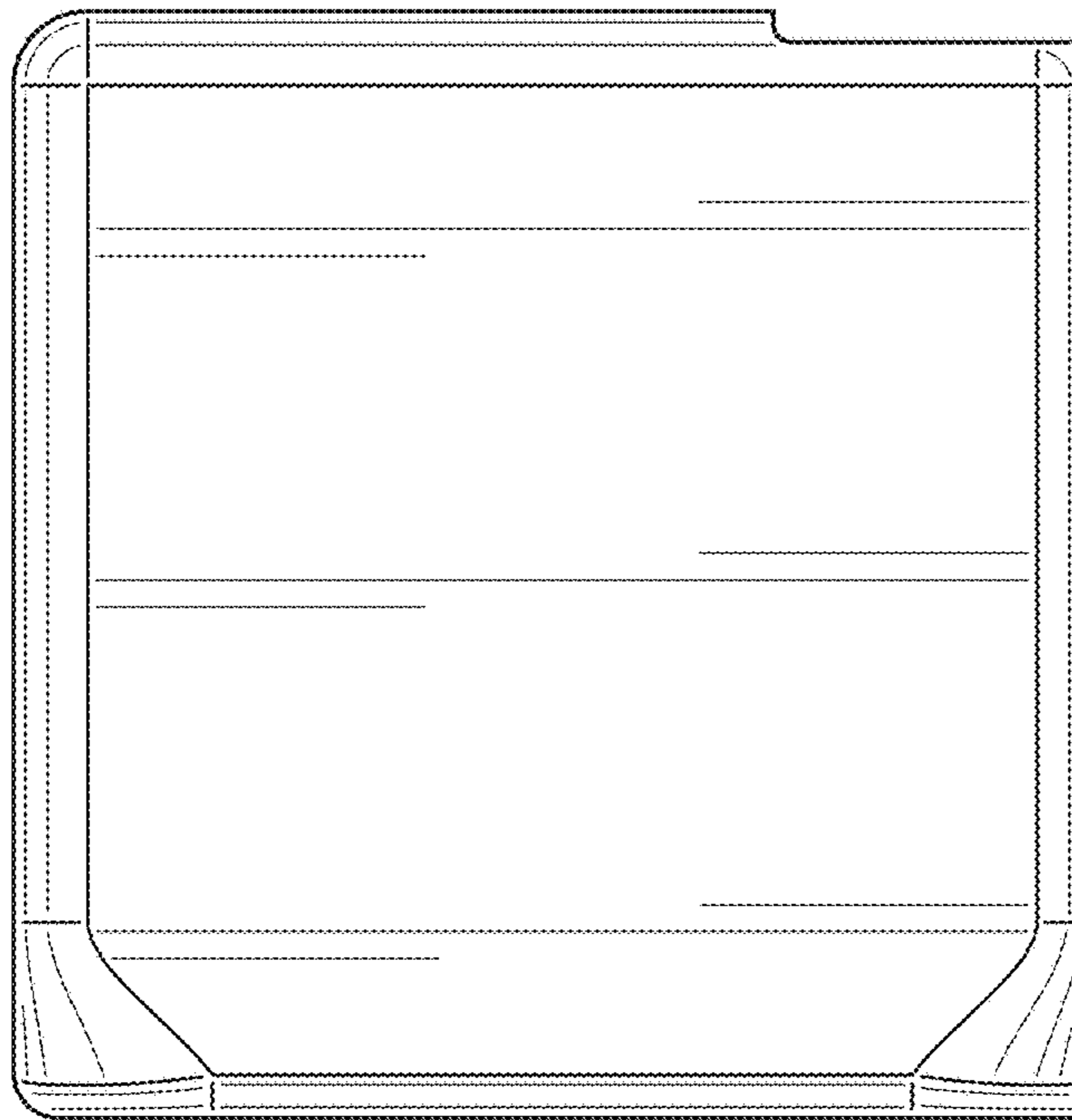


FIG. 18

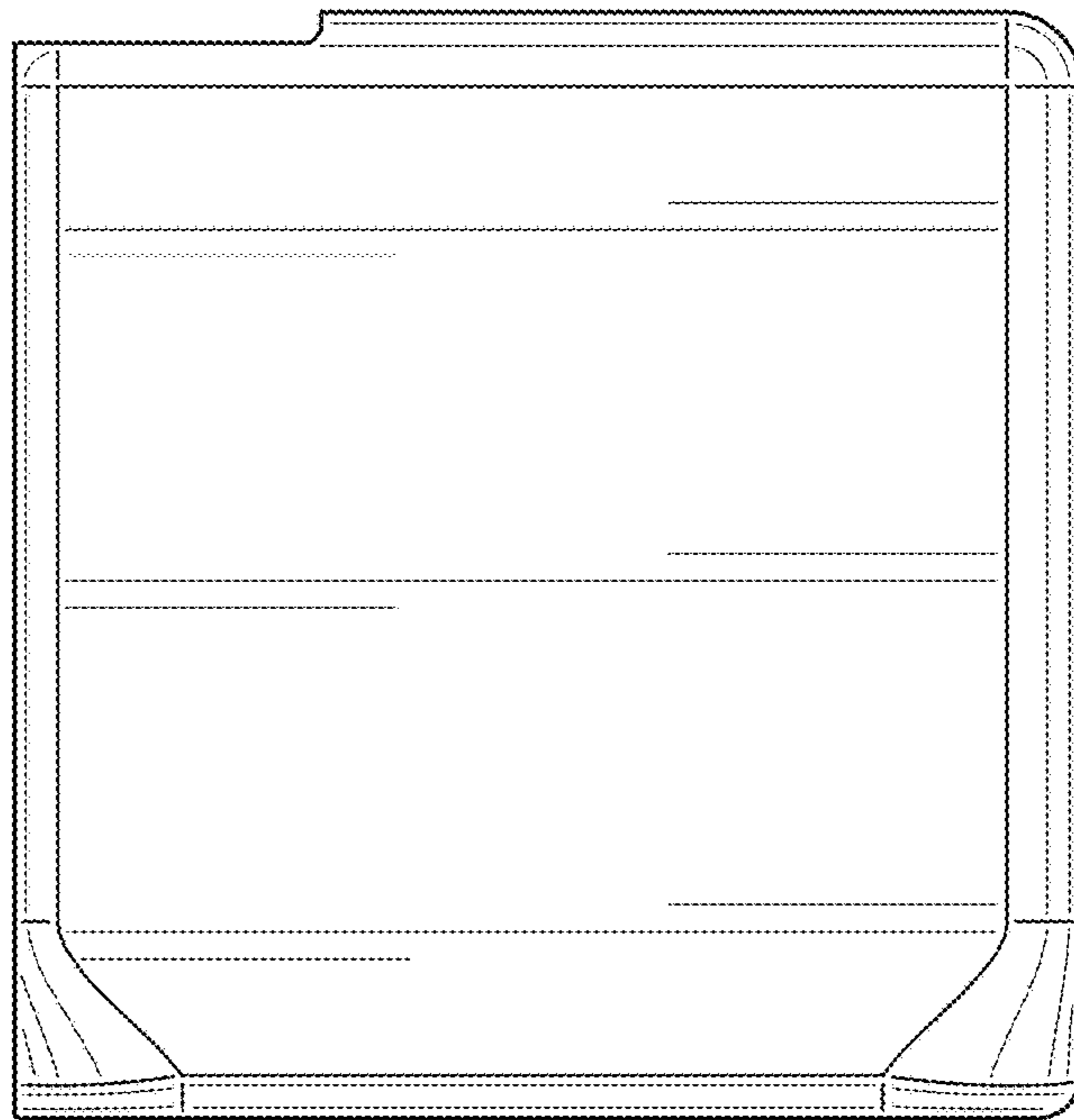


FIG. 19

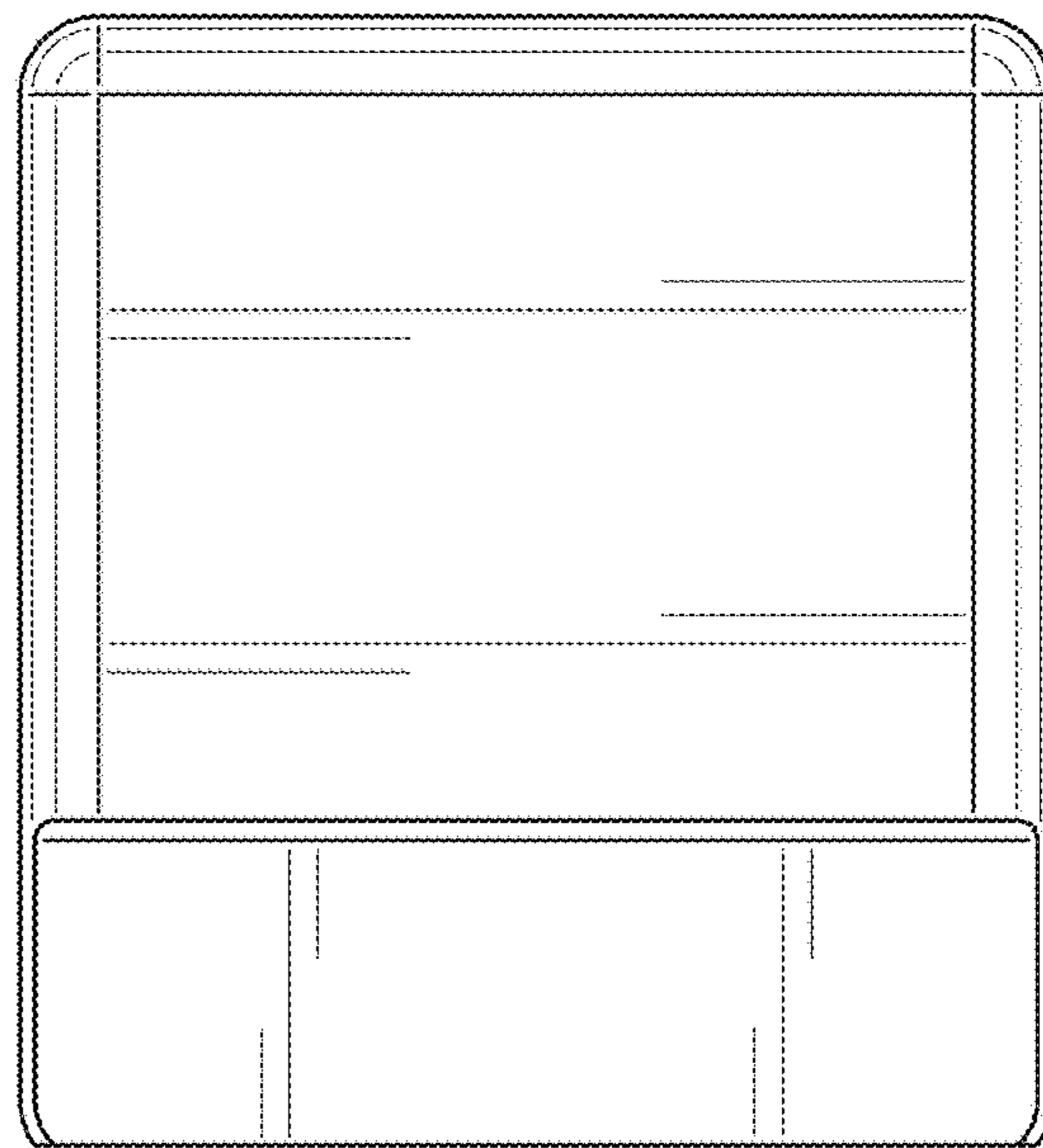


FIG. 20

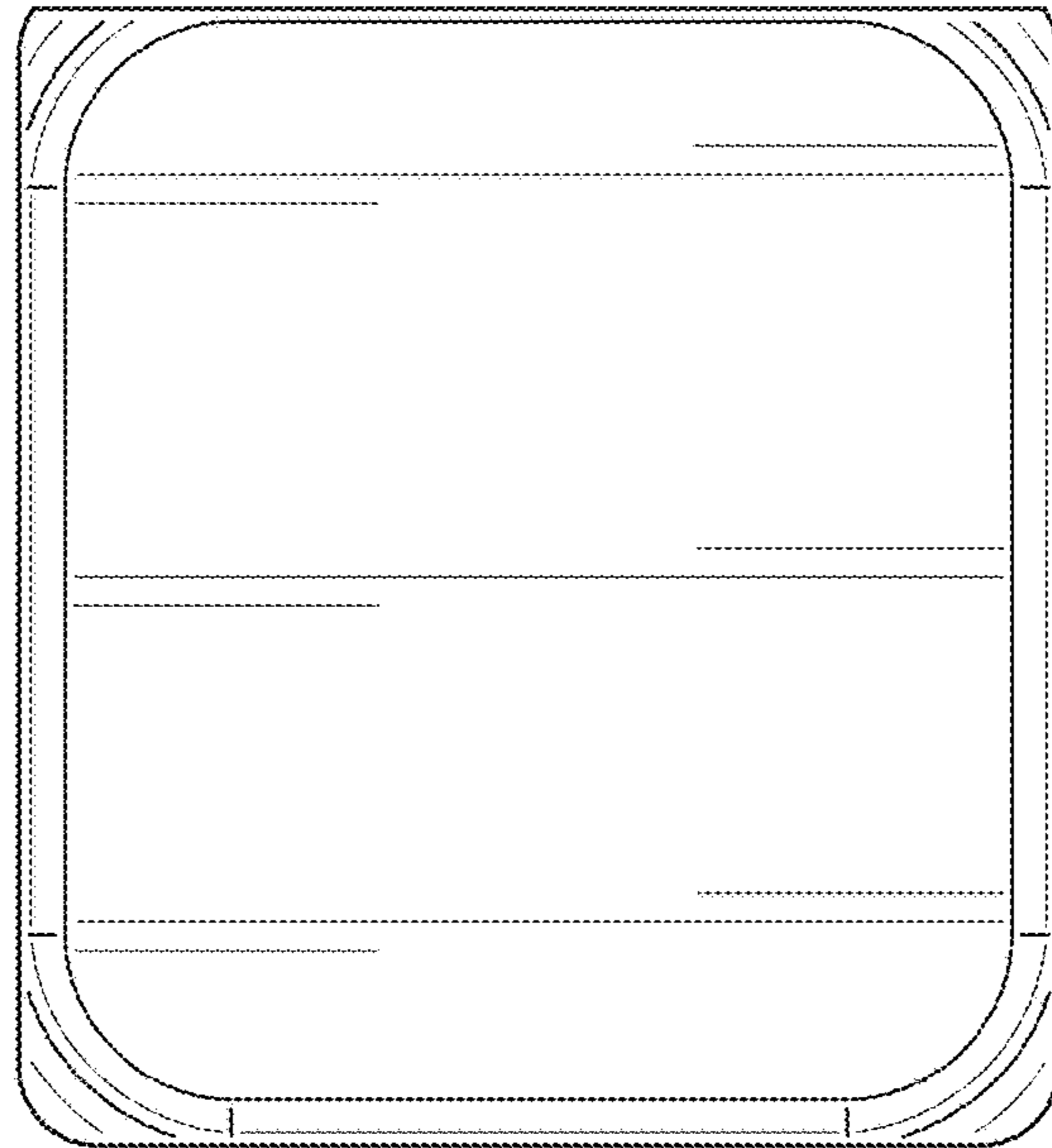


FIG. 21