



US00D837383S

(12) **United States Design Patent** (10) **Patent No.:** **US D837,383 S**  
**Wigal** (45) **Date of Patent:** **\*\* Jan. 1, 2019**

(54) **ORTHODONTIC ELASTOMERIC LIGATURE TIE**

(71) Applicant: **Designer Ties, LLC**, Hebron, OH (US)

(72) Inventor: **Timothy G. Wigal**, Hebron, OH (US)

(73) Assignee: **Designer Ties, LLC**, Hebron, OH (US)

(\*\*) Term: **15 Years**

(21) Appl. No.: **29/629,954**

(22) Filed: **Dec. 18, 2017**

**Related U.S. Application Data**

(63) Continuation-in-part of application No. 29/574,546, filed on Aug. 16, 2016, now Pat. No. Des. 809,145, which is a continuation-in-part of application No. 15/060,310, filed on Mar. 3, 2016, now Pat. No. 10,034,724.

(51) **LOC (11) Cl.** ..... **24-02**

(52) **U.S. Cl.**  
USPC ..... **D24/180**

(58) **Field of Classification Search**  
USPC ..... D24/176-182; D21/386; D1/112; D11/56, 103  
CPC ..... A61C 7/125; A61C 7/303; A61C 7/30; A61C 7/306; A61C 7/12; A61C 7/00; A61C 7/14; A61C 7/16; A44C 15/007  
See application file for complete search history.

(56) **References Cited**

**U.S. PATENT DOCUMENTS**

4,687,441 A \* 8/1987 Klepacki ..... A61C 7/125  
433/8  
5,829,974 A \* 11/1998 Brosius ..... A61C 7/303  
433/15

D412,363 S \* 7/1999 Stevens ..... D24/180  
D412,988 S \* 8/1999 Stevens ..... D24/180  
D447,804 S \* 9/2001 Stevens ..... D24/180  
7,204,691 B2 \* 4/2007 Darling ..... A61C 7/303  
433/11  
7,306,458 B1 \* 12/2007 Lu ..... A61C 7/14  
433/16  
D607,568 S \* 1/2010 Stevens ..... D24/180  
D766,444 S \* 9/2016 Stevens ..... D24/180  
2017/0000587 A1 \* 1/2017 Wigal ..... A61C 7/125  
2017/0086944 A1 \* 3/2017 Hulwi ..... A61C 7/125

\* cited by examiner

*Primary Examiner* — Wan Laymon

(74) *Attorney, Agent, or Firm* — Ice Miller LLP

(57) **CLAIM**

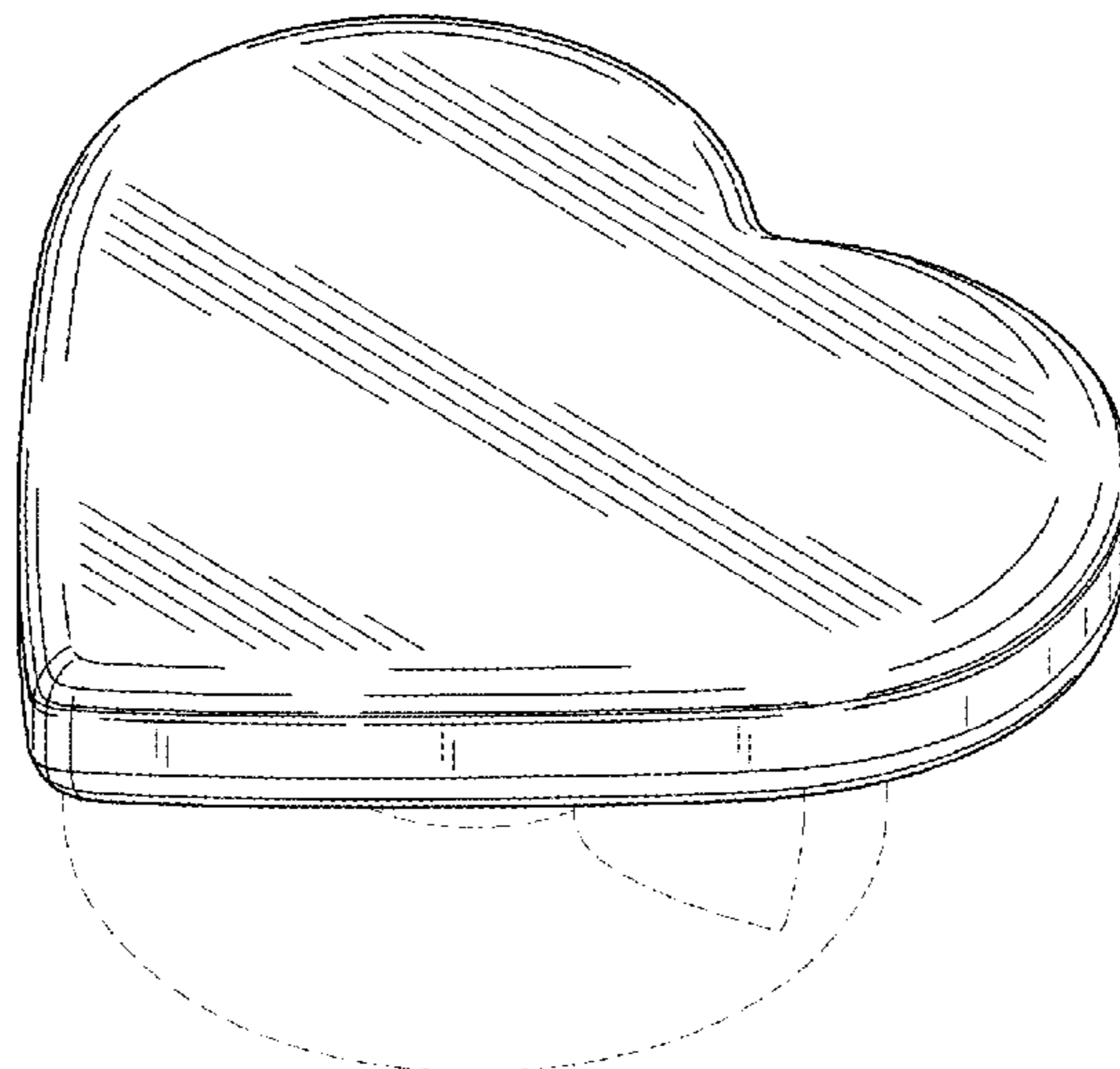
The ornamental design for an orthodontic elastomeric ligature tie, as shown and described.

**DESCRIPTION**

FIG. 1 is a front perspective view of an orthodontic elastomeric ligature tie, showing my new design;  
FIG. 2 is a front elevational view thereof;  
FIG. 3 is a back elevational view thereof;  
FIG. 4 is a side elevational view thereof, and the opposite side elevational view is a mirror image of the side elevational view thereof;  
FIG. 5 is a top elevational view thereof;  
FIG. 6 is a bottom elevational view thereof; and,  
FIG. 7 is a front perspective view thereof, wherein the broken line showing of a mouth is for the purpose of illustrating an environment and forms no part of the claimed design.

The broken line showing is included for the purpose of illustrating unclaimed orthodontic elastomeric ligature tie and forms no part of the claimed design.

**1 Claim, 5 Drawing Sheets**



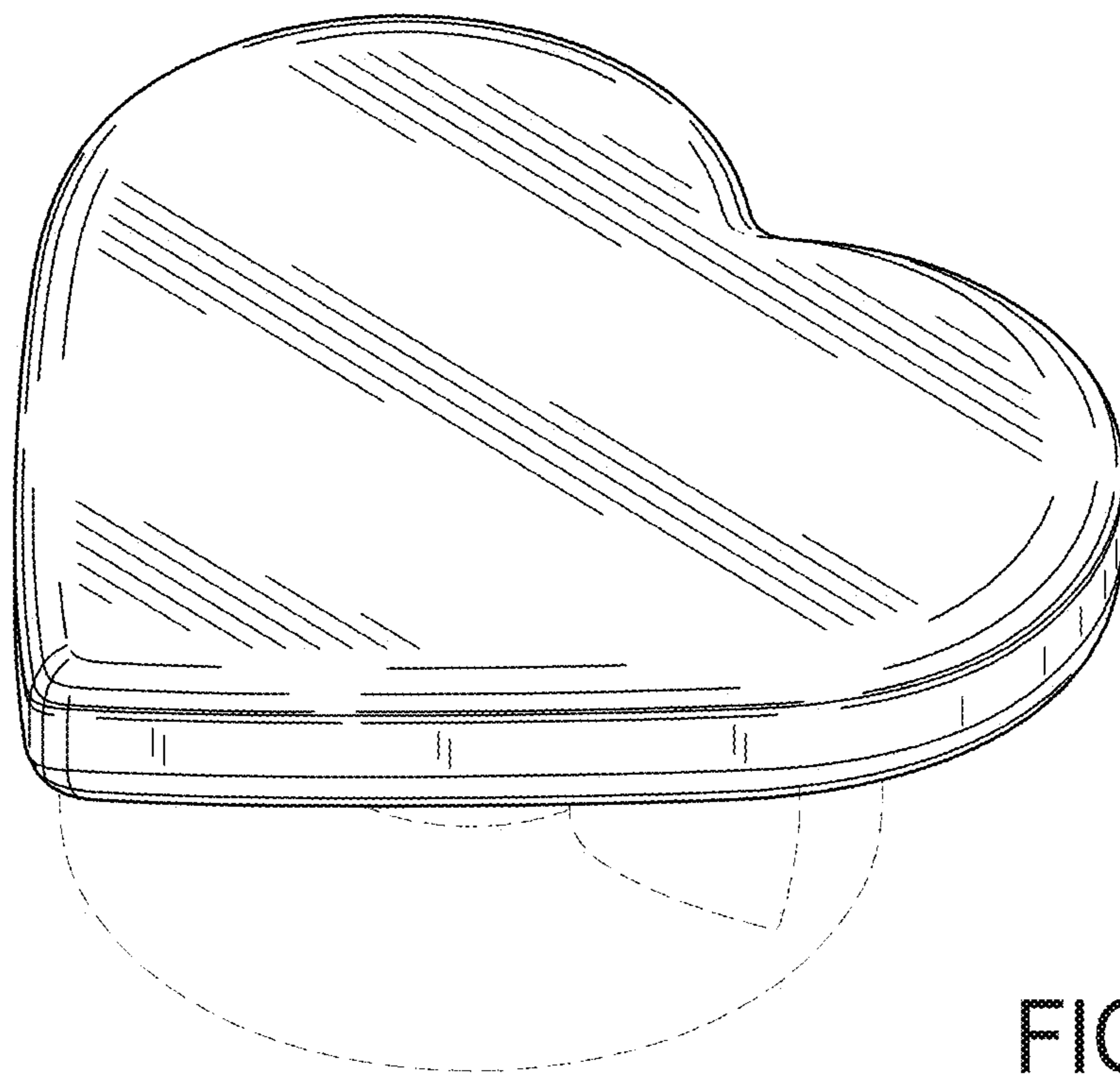


FIG. 1

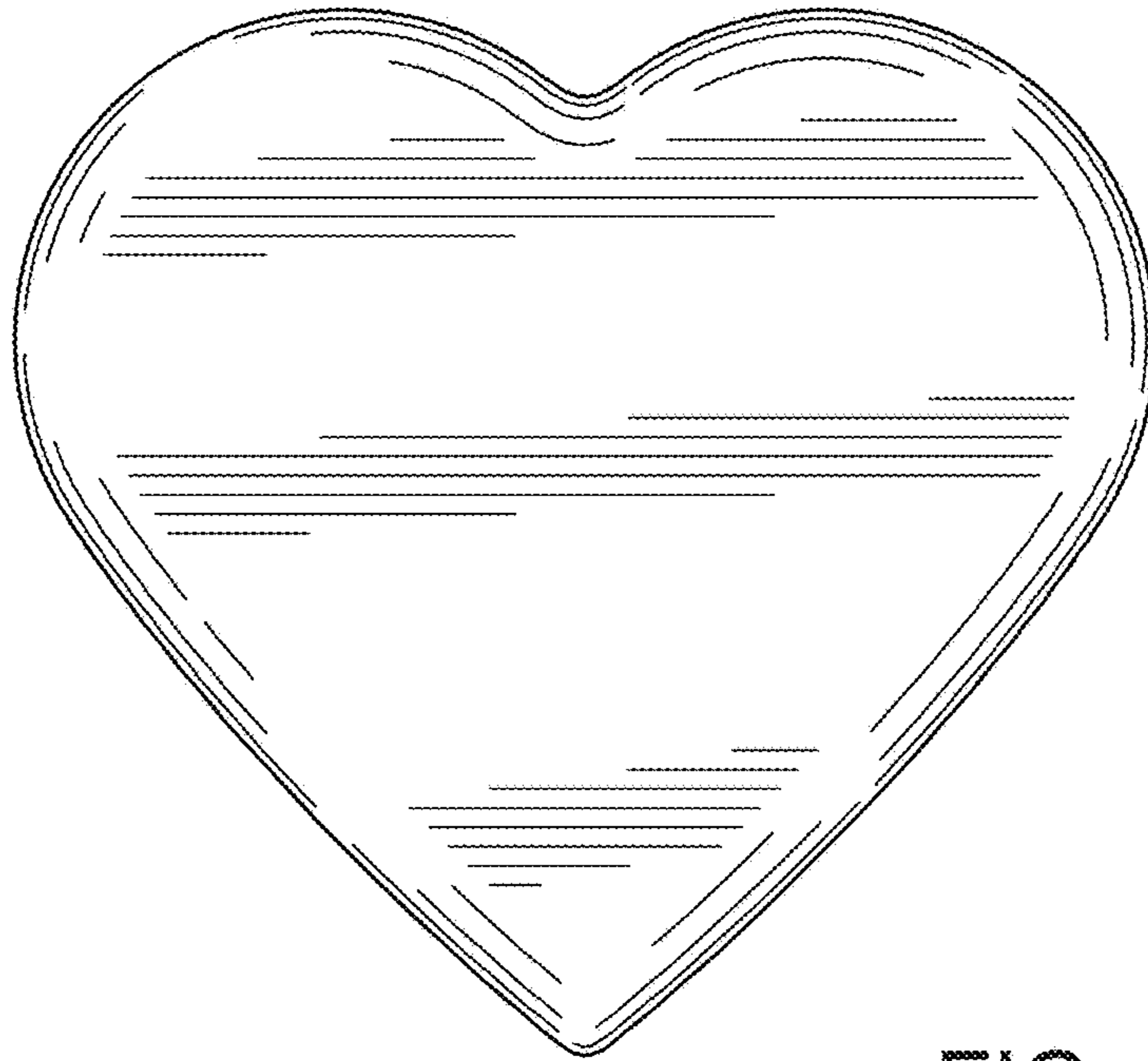


FIG. 2

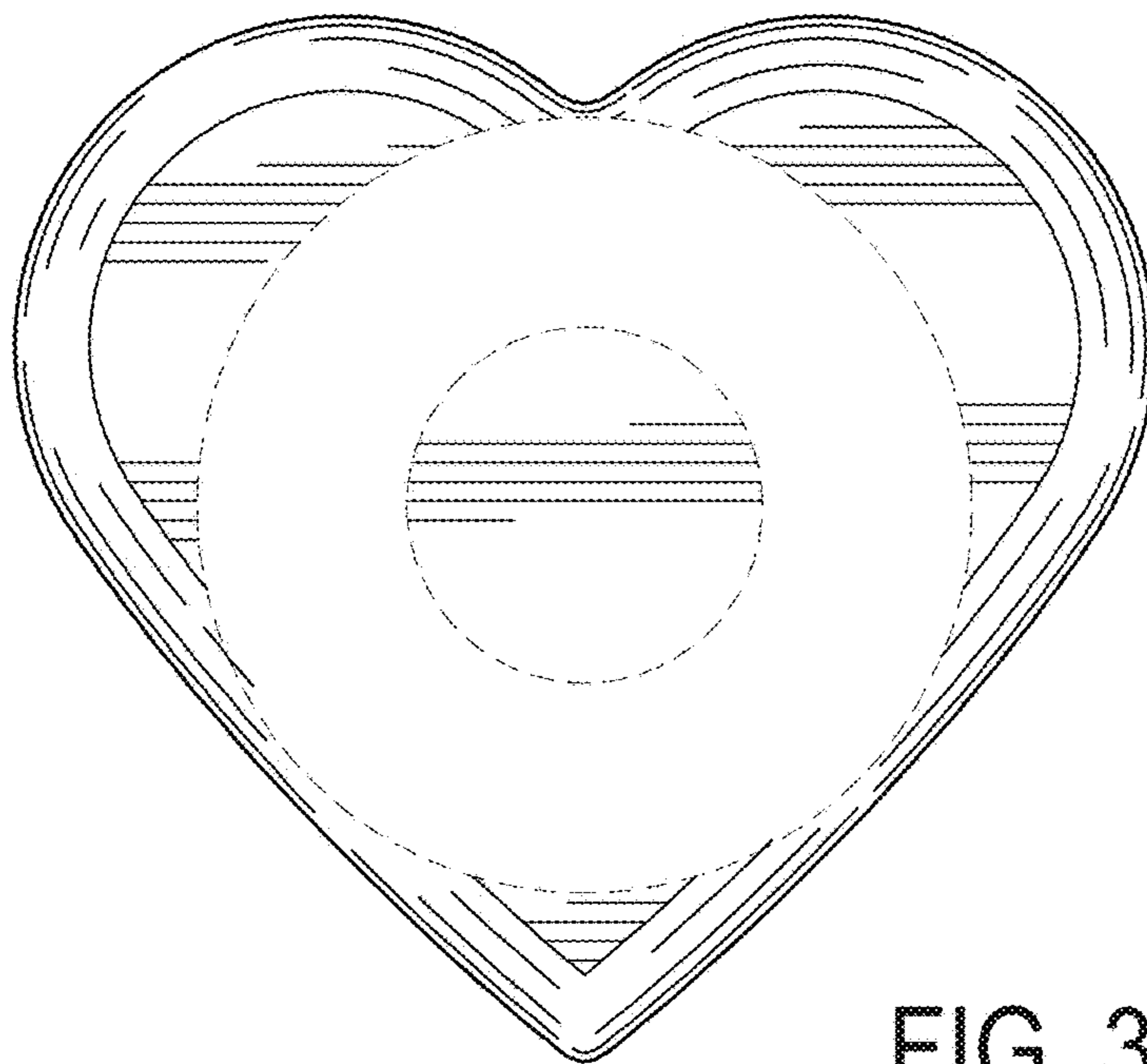


FIG. 3

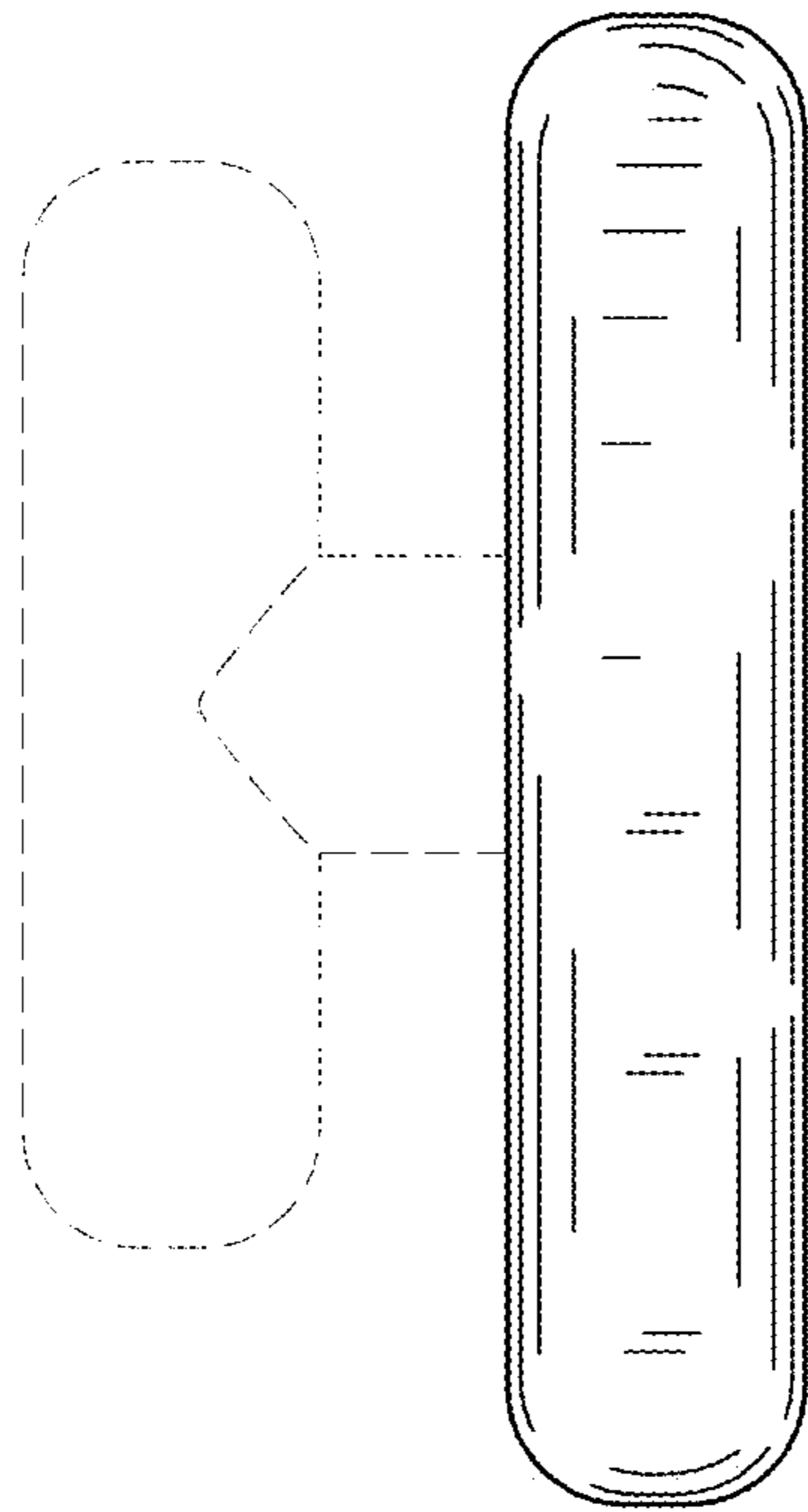


FIG. 4

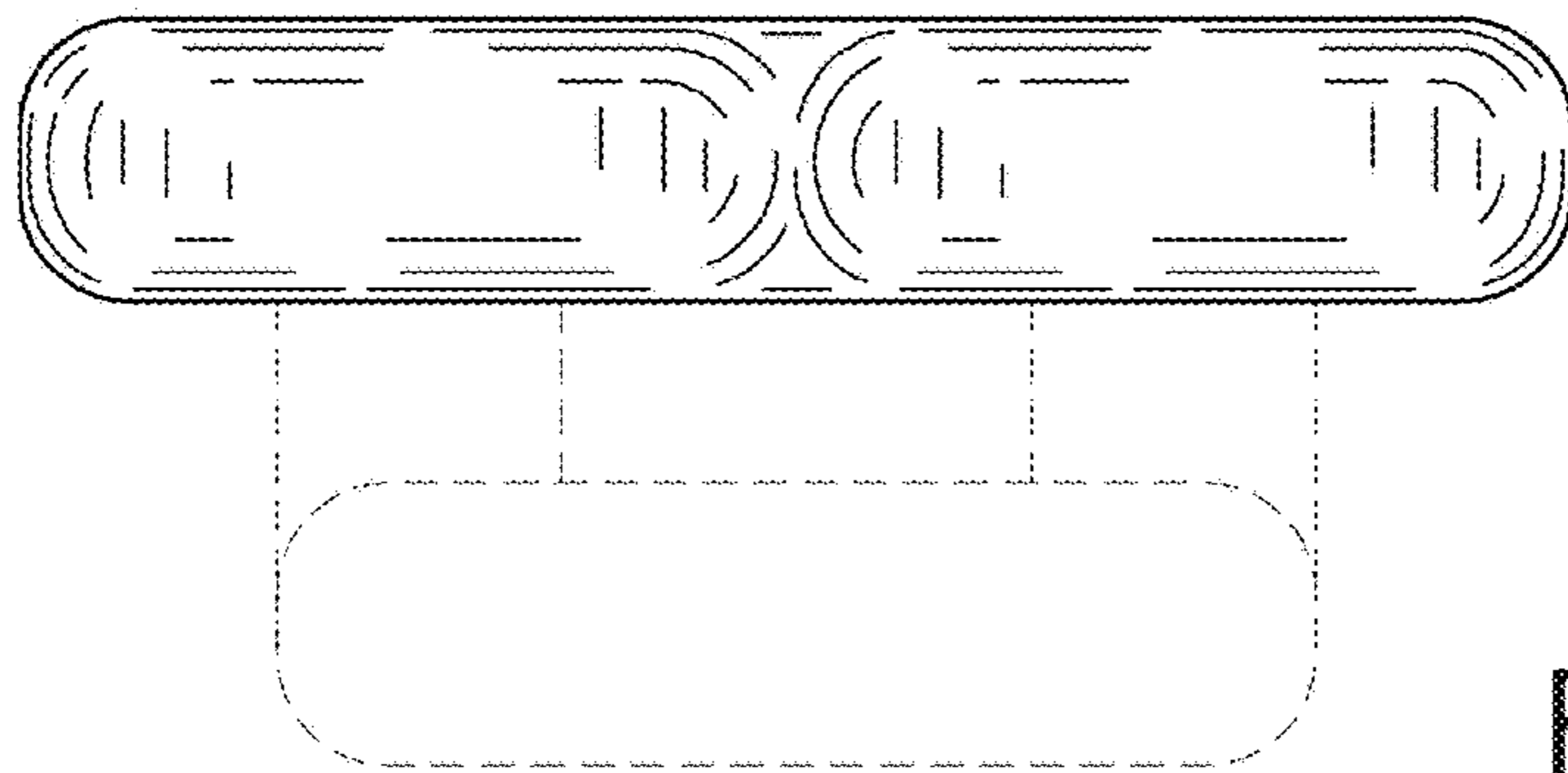


FIG. 5

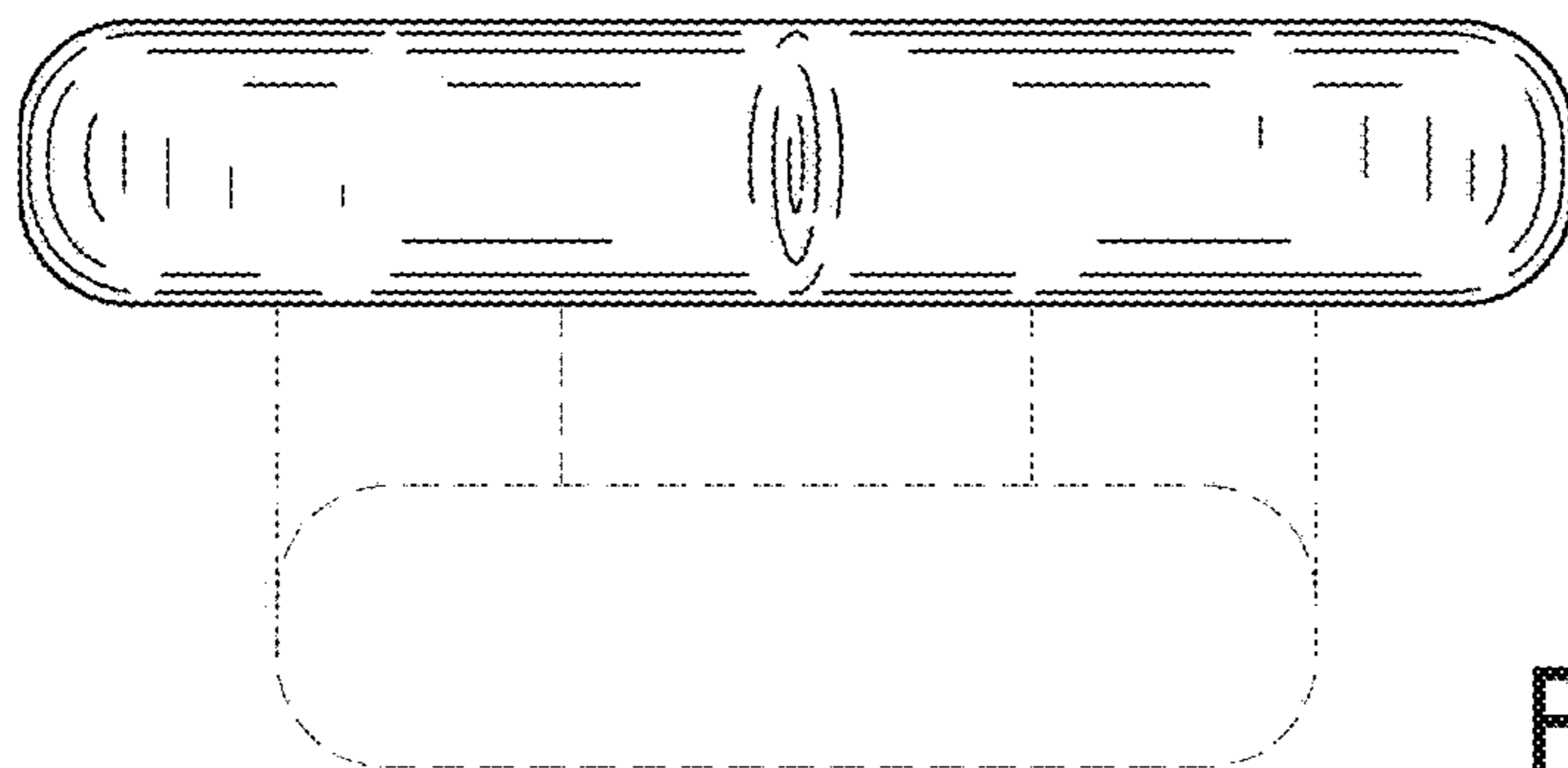


FIG. 6

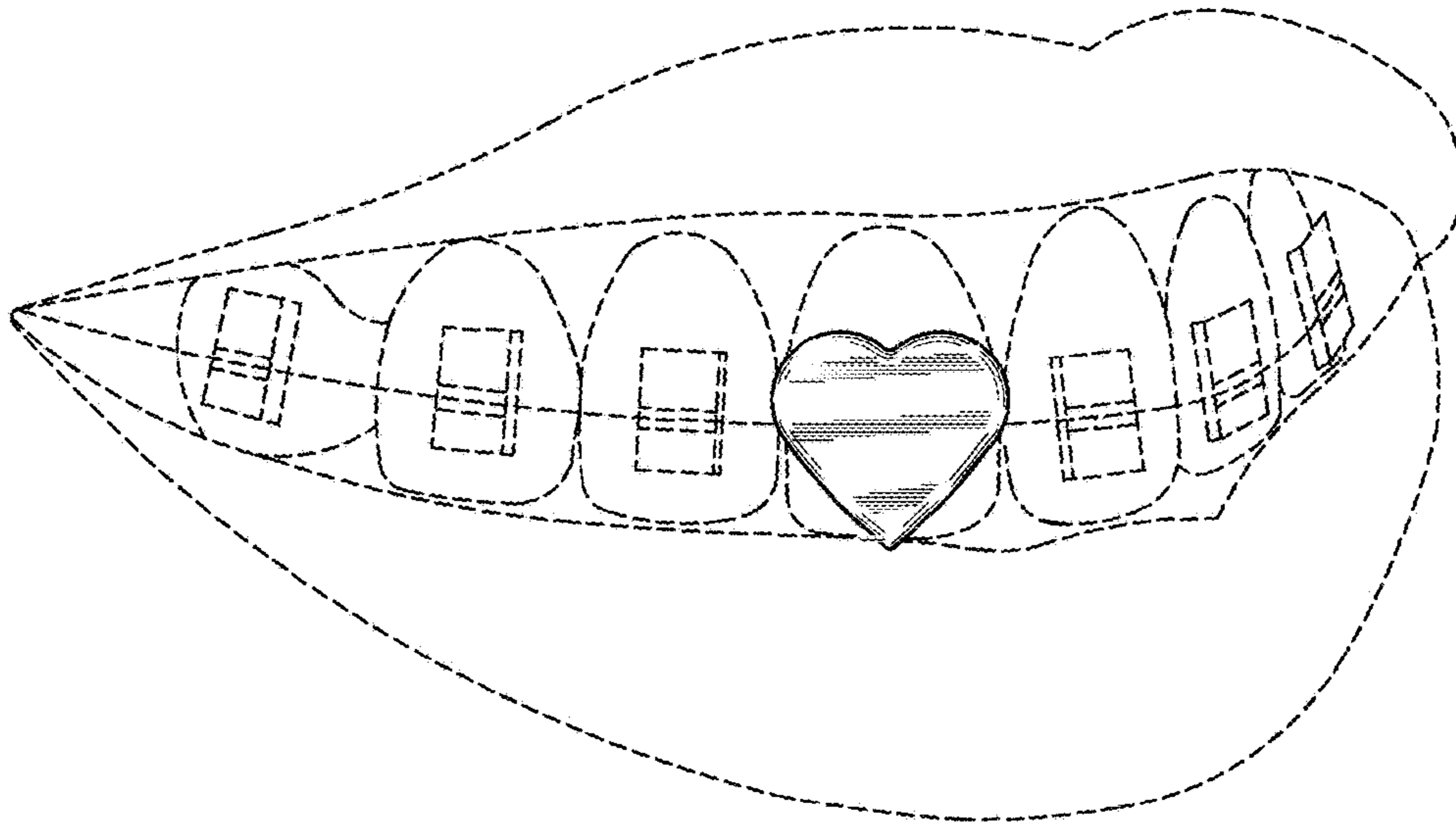


FIG. 7