



US00D837381S

(12) **United States Design Patent**
Murbay

(10) **Patent No.:** **US D837,381 S**

(45) **Date of Patent:** **** Jan. 1, 2019**

(54) **DENTAL WEAR SIMULATOR**

4,078,311 A * 3/1978 Hoisington A61C 19/00
434/263

(71) Applicant: **The University Of Hong Kong**, Hong Kong (HK)

D336,336 S * 6/1993 Hakamatsuka D24/176

D377,218 S * 1/1997 Cohen D19/59

D392,878 S * 3/1998 Nordstrom D24/177

9,218,751 B2 * 12/2015 Montalbano G09B 23/283

(72) Inventor: **Sukhdeep Murbay**, Tyne and Wear (GB)

* cited by examiner

(73) Assignee: **The University of Hong Kong**, Hong Kong (HK)

Primary Examiner — Wan Laymon

(74) *Attorney, Agent, or Firm* — Cesari and McKenna, LLP

(**) Term: **15 Years**

(21) Appl. No.: **29/593,686**

(22) Filed: **Feb. 10, 2017**

(57) **CLAIM**

(30) **Foreign Application Priority Data**

The ornamental design for a dental wear simulator, as shown and described.

Dec. 28, 2016 (CN) 2016 3 0653324

(51) **LOC (11) Cl.** **24-02**

(52) **U.S. Cl.**
USPC **D24/176**

(58) **Field of Classification Search**
USPC D24/176-177, 178-182; D19/59, 62;
434/262-263

CPC .. G09B 23/283; G09B 19/0084; A61G 15/14;
A61C 19/00

See application file for complete search history.

DESCRIPTION

FIG. 1 is a front side perspective view of a dental wear simulator;

FIG. 2 is a front side elevation view thereof;

FIG. 3 is a rear side elevation view thereof;

FIG. 4 is a left side elevation view thereof;

FIG. 5 is a right side elevation view thereof;

FIG. 6 is a top plan view thereof; and,

FIG. 7 is a bottom plan view thereof.

Portions of the drawings depicted in broken lines form no part of the claimed design.

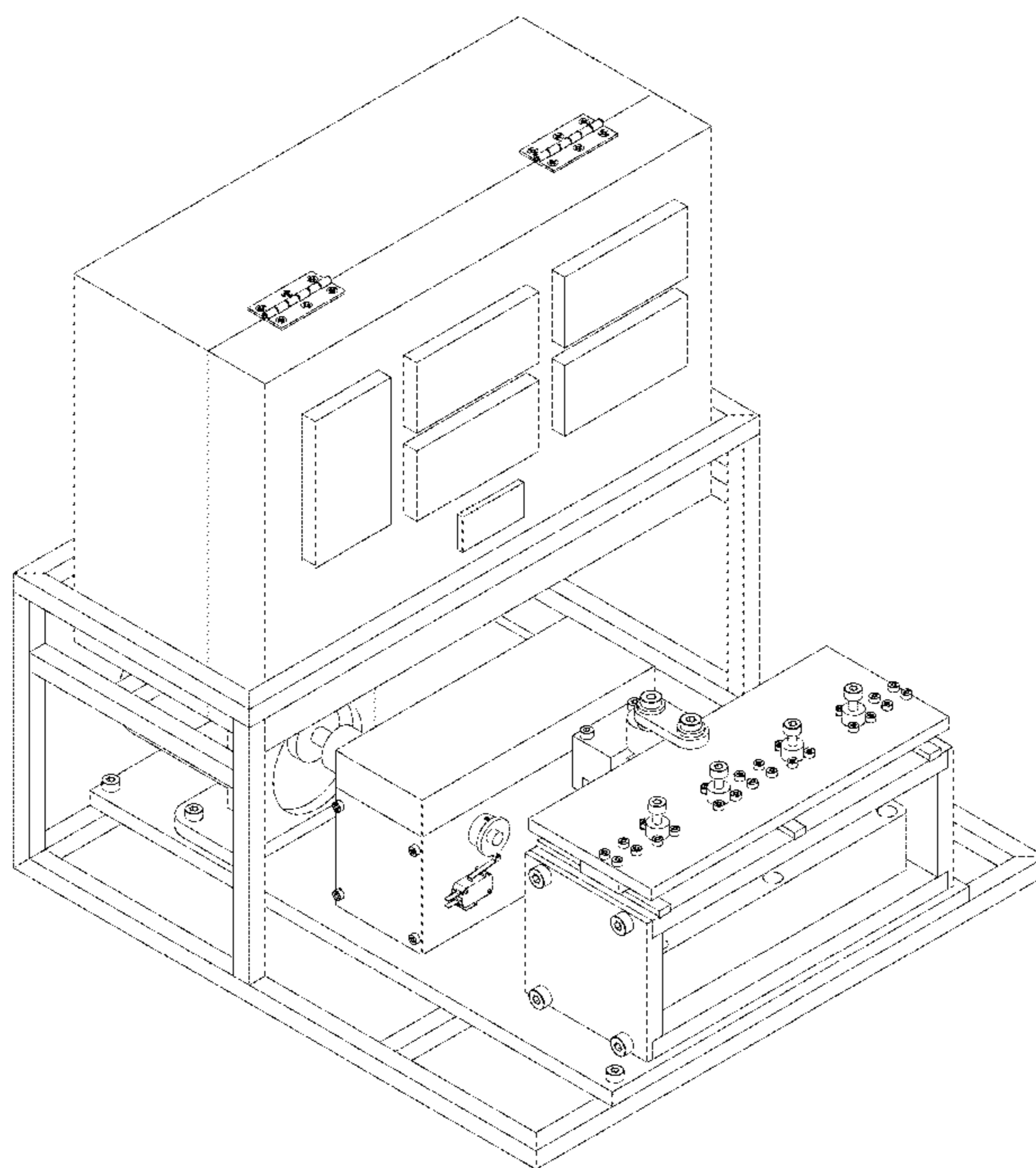
(56) **References Cited**

U.S. PATENT DOCUMENTS

D246,255 S * 11/1977 Truette D24/177

D247,503 S * 3/1978 Hoisington D19/62

1 Claim, 7 Drawing Sheets



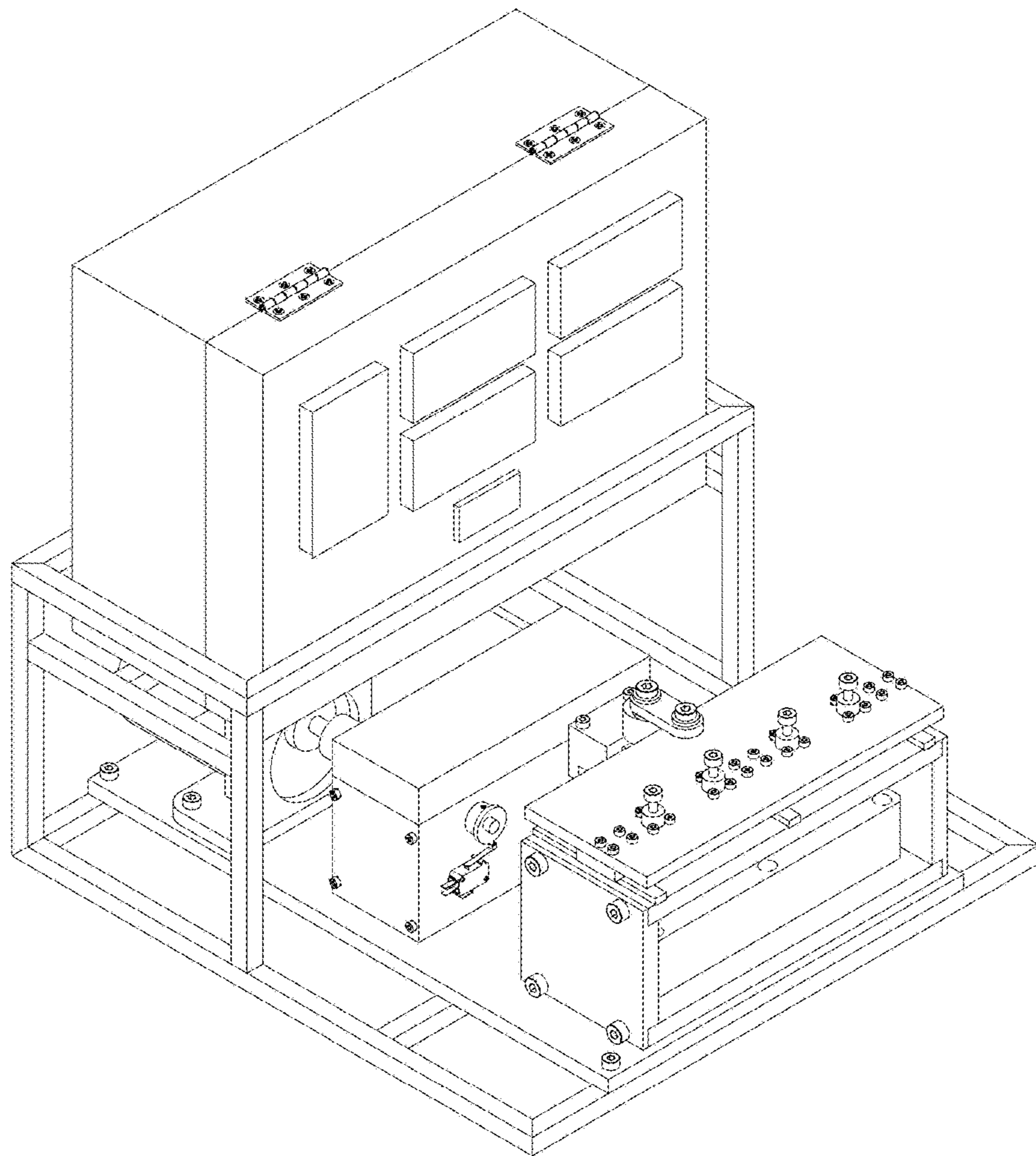


FIG. 1

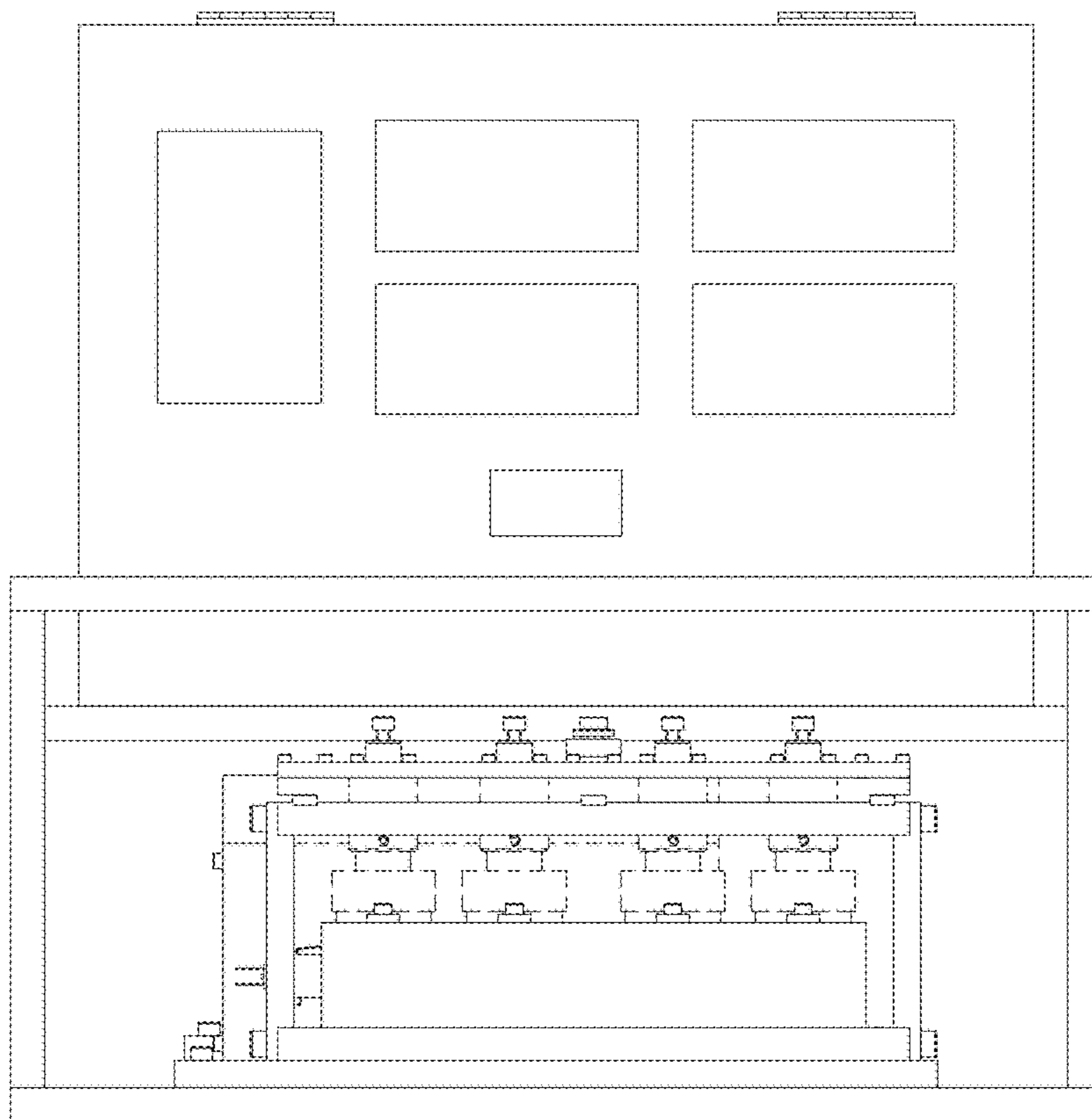


FIG. 2

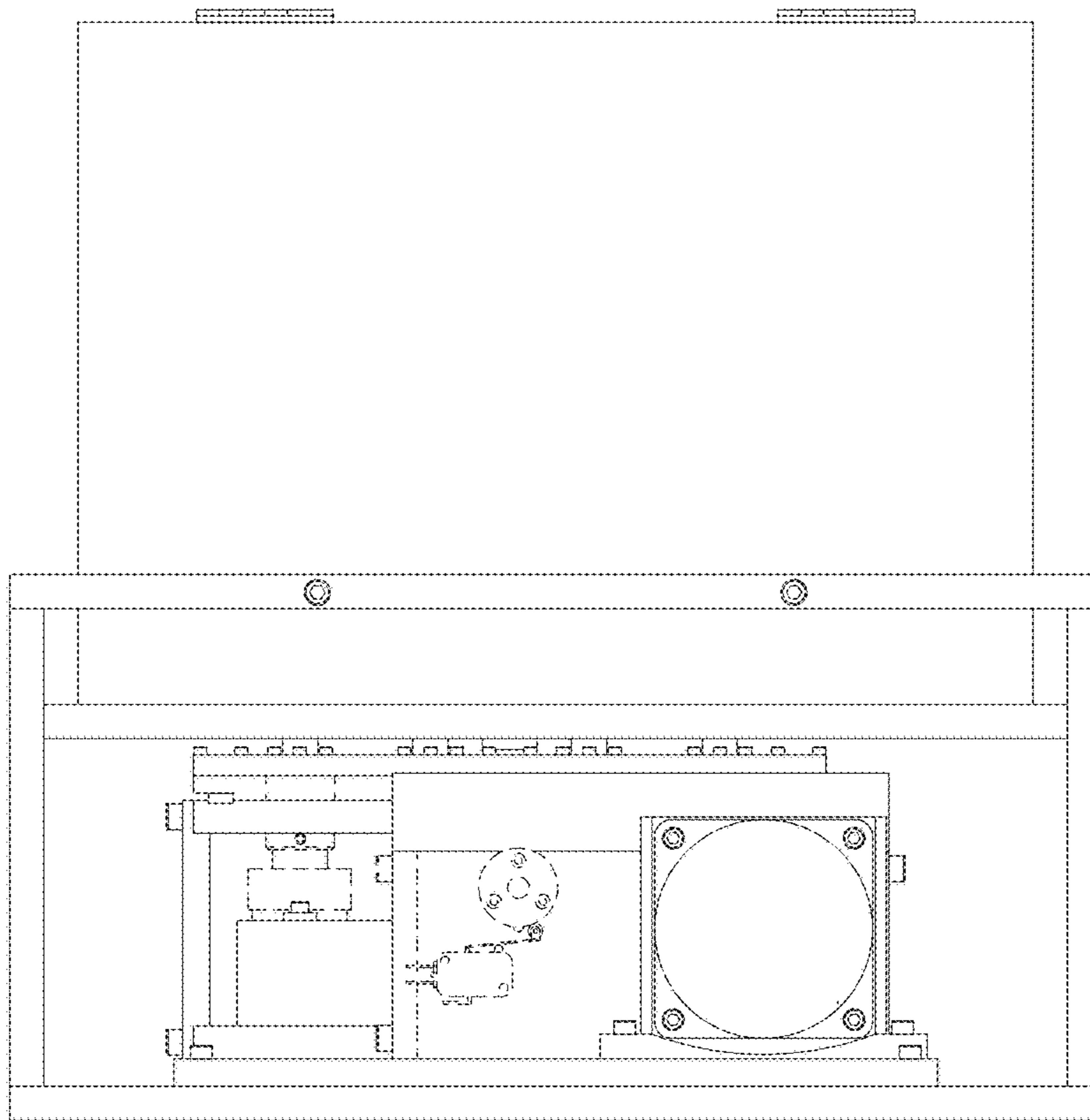


FIG. 3

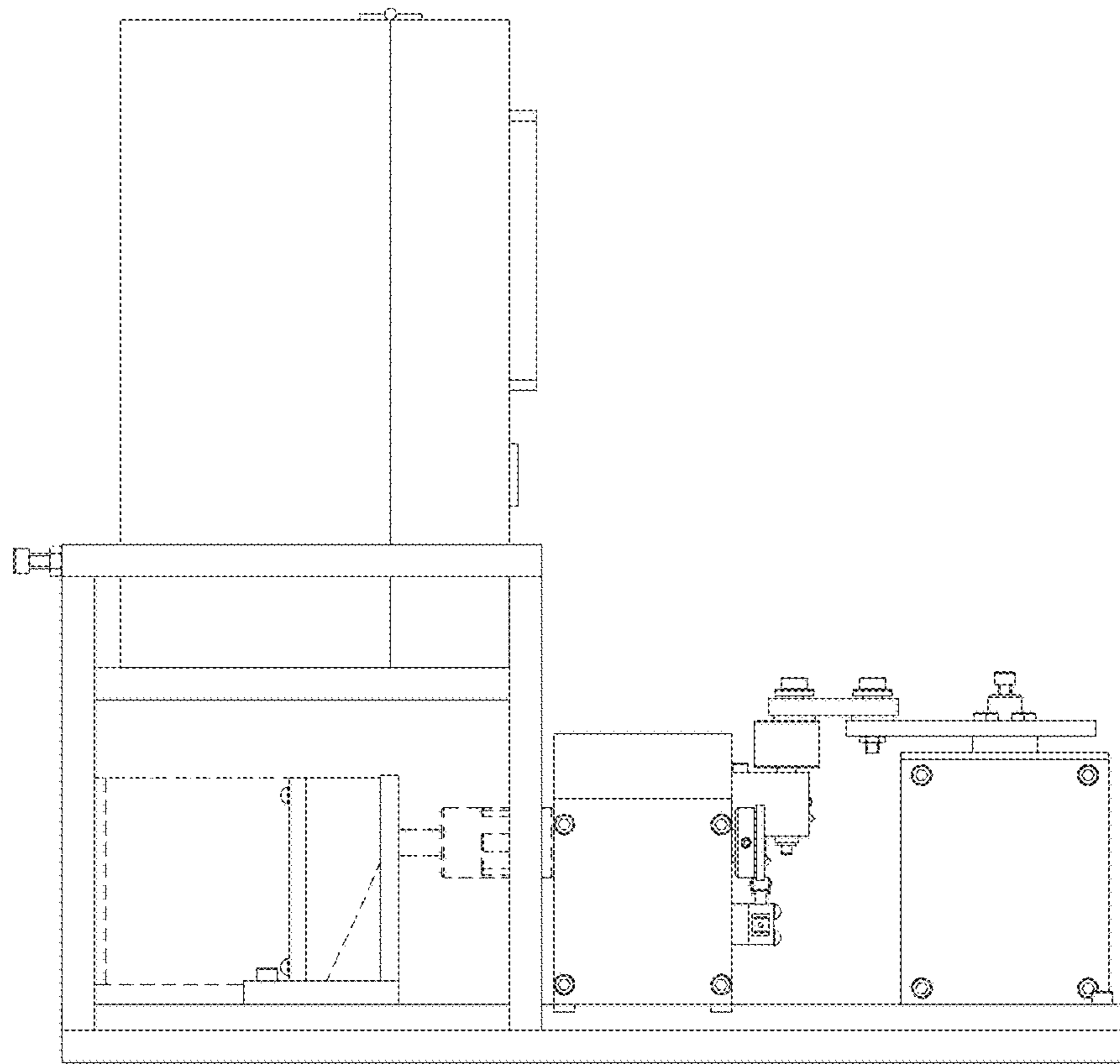


FIG. 4

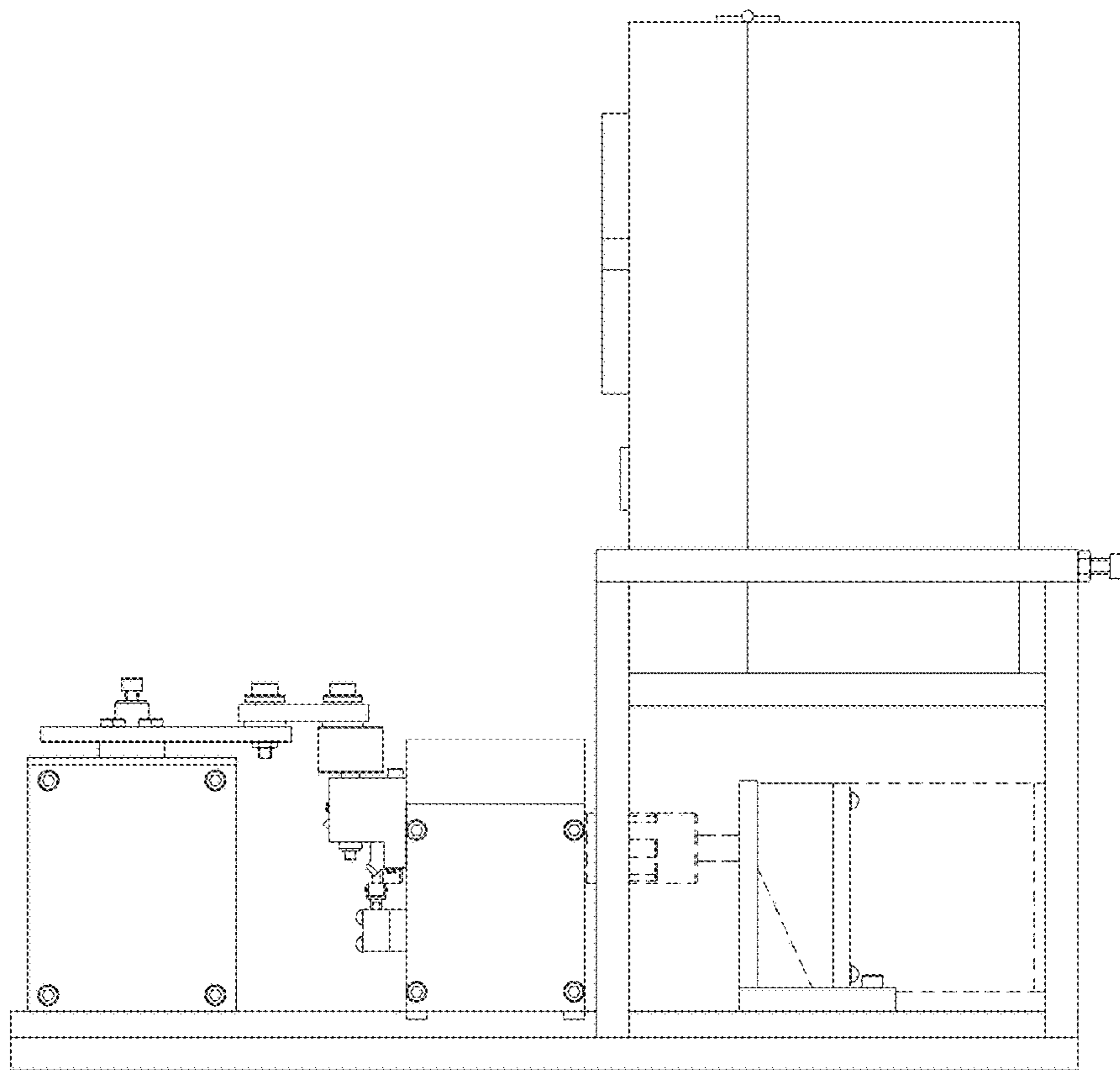


FIG. 5

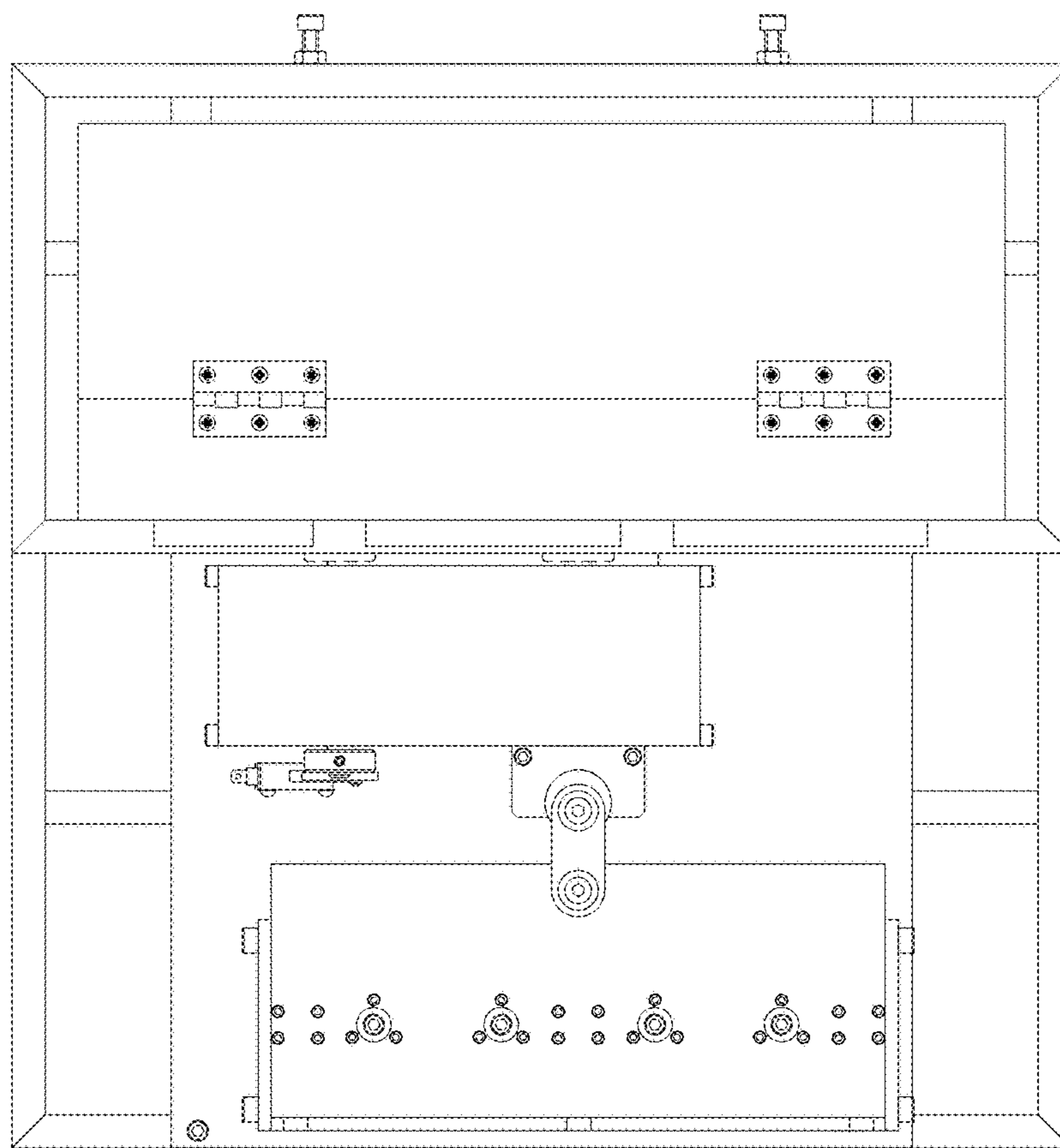


FIG. 6

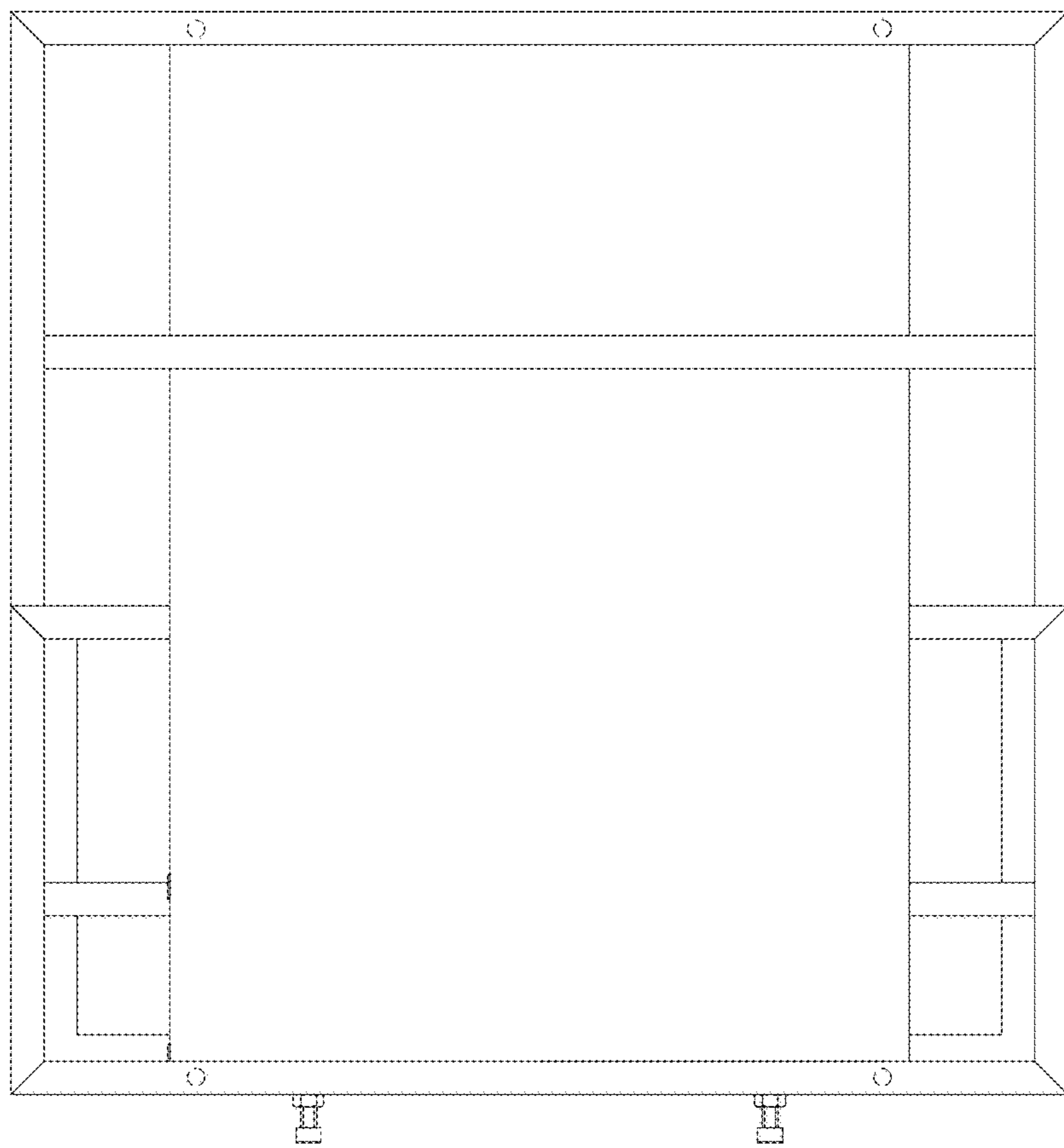


FIG. 7