



US00D837380S

(12) **United States Design Patent**
Hulford et al.

(10) **Patent No.:** **US D837,380 S**

(45) **Date of Patent:** **** Jan. 1, 2019**

(54) **SURGICAL APPARATUS**

(71) Applicant: **Intuitive Surgical Operations, Inc.**,
Sunnyvale, CA (US)

(72) Inventors: **Timothy B. Hulford**, San Jose, CA
(US); **Robert B. Hubler**, Woodinville,
WA (US); **Nicholas W. Oakley**,
Portland, OR (US)

(73) Assignee: **INTUITIVE SURGICAL
OPERATIONS, INC.**, Sunnyvale, CA
(US)

(**) Term: **15 Years**

(21) Appl. No.: **29/601,025**

(22) Filed: **Apr. 18, 2017**

(51) **LOC (11) Cl.** **24-01**

(52) **U.S. Cl.**
USPC **D24/170; D24/185**

(58) **Field of Classification Search**
USPC D24/185, 158, 184, 186, 175, 232, 108,
D24/144; D14/452; D15/199
CPC A61B 34/30; A61B 34/32; A61B 34/35;
A61B 2034/301; A61B 2034/302; A61B
2034/303; A61B 2034/304; A61B
2034/305; A61B 2034/306
See application file for complete search history.

(56) **References Cited**

U.S. PATENT DOCUMENTS

D435,107 S * 12/2000 Blair D24/186
D456,080 S * 4/2002 Karlsson D24/185
D486,915 S * 2/2004 Warschewske D24/185
D492,997 S * 7/2004 DiStasio D24/158

D553,655 S * 10/2007 Jennings D15/199
D610,926 S * 3/2010 Gerent D10/63
D680,650 S * 4/2013 Muraoka D24/158
8,611,986 B2 * 12/2013 Wu
D722,172 S * 2/2015 Amemiya D24/185
D724,738 S * 3/2015 Dorris D24/158
D743,036 S * 11/2015 Boukhny D24/172
D785,183 S * 4/2017 Ogura D24/158
2017/0360521 A1 * 12/2017 Johnson A61B 34/74
2018/0049839 A1 * 2/2018 Seong A61B 90/10

* cited by examiner

Primary Examiner — Anhdao Doan

Assistant Examiner — Mary Shannon Malley

(74) *Attorney, Agent, or Firm* — Haynes and Boone, LLP

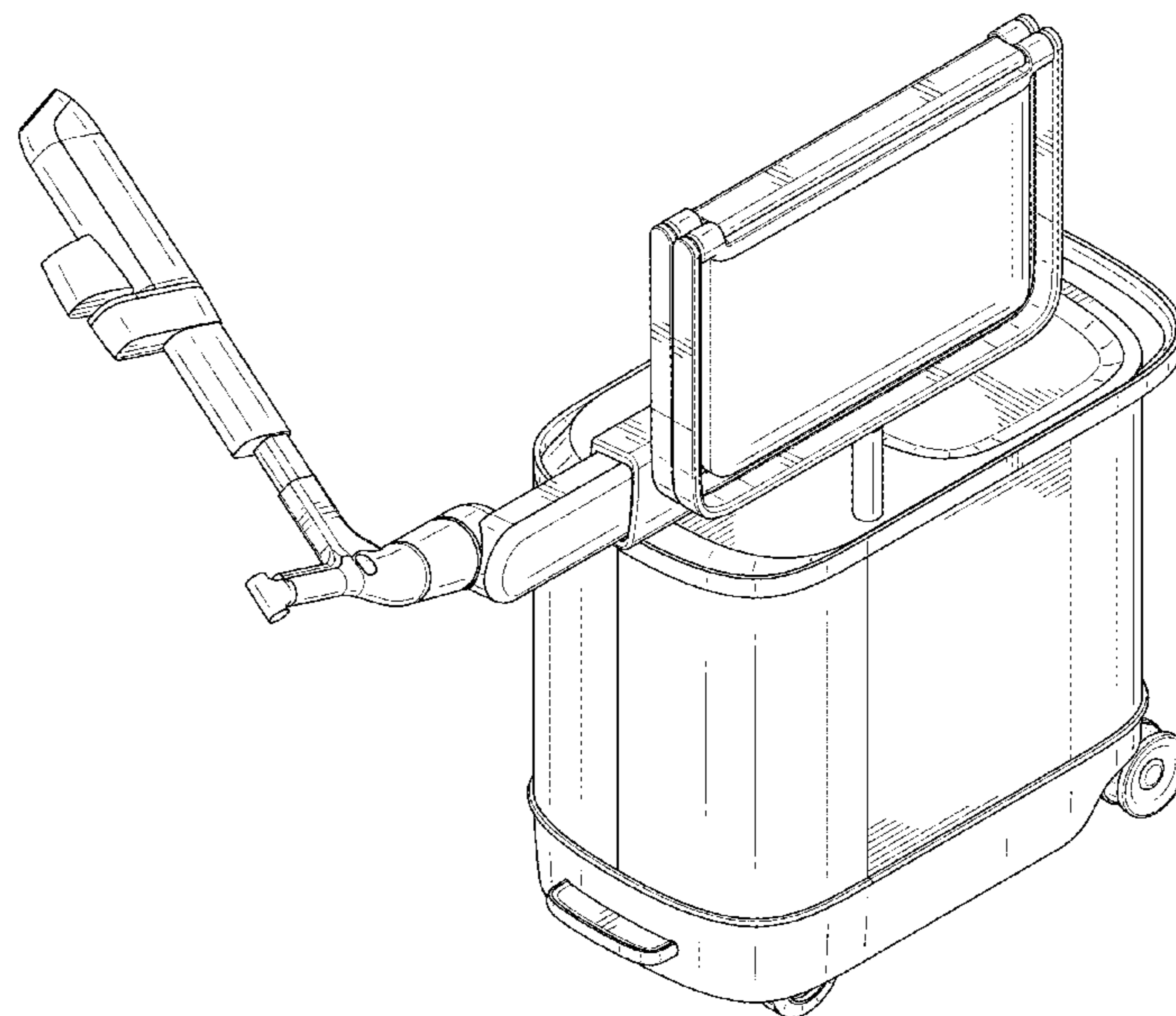
(57) **CLAIM**

The ornamental design for a surgical apparatus, as shown and described.

DESCRIPTION

FIG. 1 is a perspective view of a surgical apparatus showing our new design;
FIG. 2 is a front elevational view thereof;
FIG. 3 is a rear elevational view thereof;
FIG. 4 is a right side elevational view thereof;
FIG. 5 is a left side elevational view thereof;
FIG. 6 is a top plan view thereof;
FIG. 7 is a bottom plan view thereof;
FIG. 8 is another perspective view thereof;
FIG. 9 is yet another perspective view thereof;
FIG. 10 is still yet another perspective view thereof; and,
FIG. 11 is still yet another perspective view thereof.
The surgical apparatus illustrated in FIGS. 1-11 may be a surgical navigation apparatus such as, for example, a lung navigation apparatus.

1 Claim, 10 Drawing Sheets



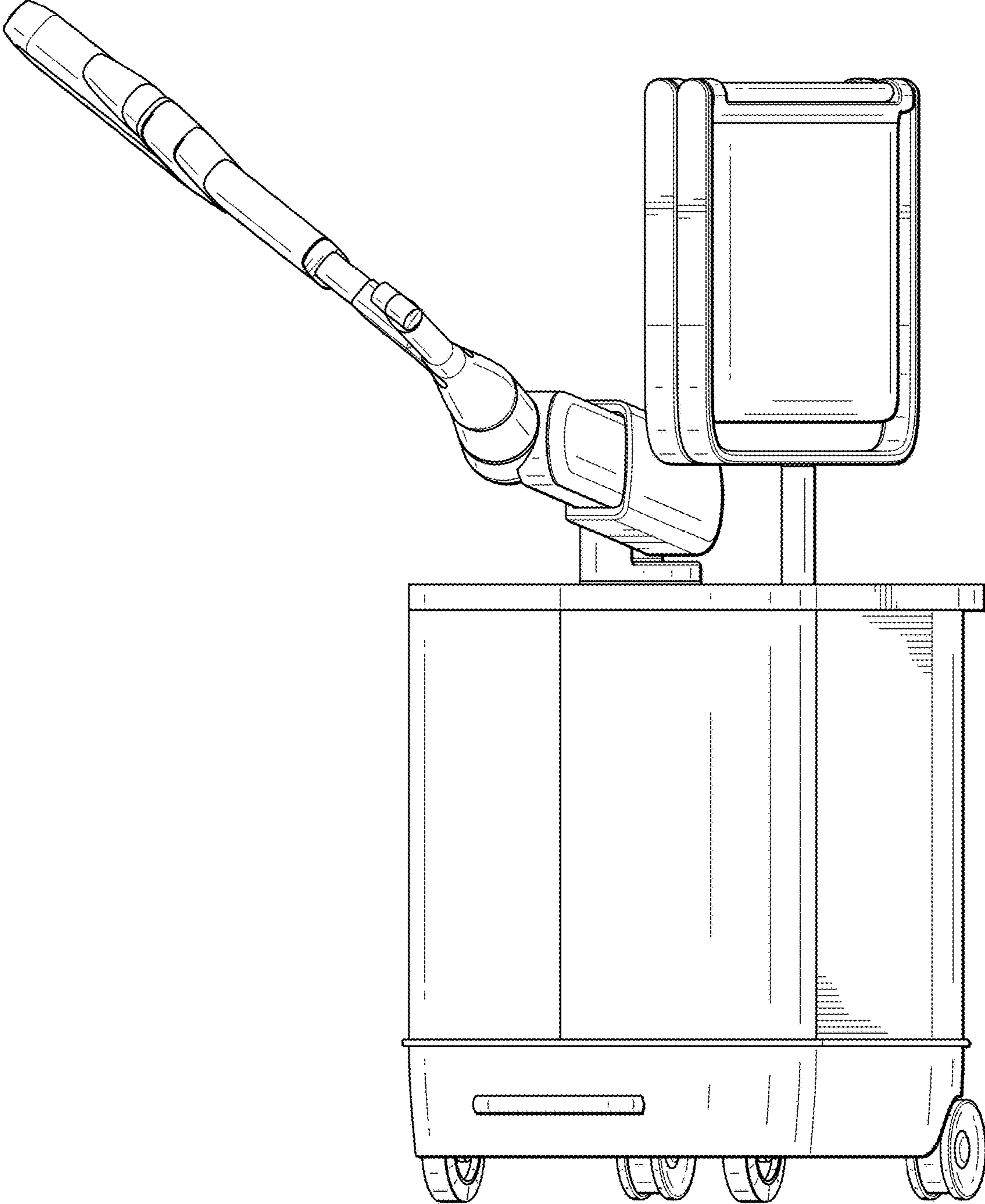


Fig. 1

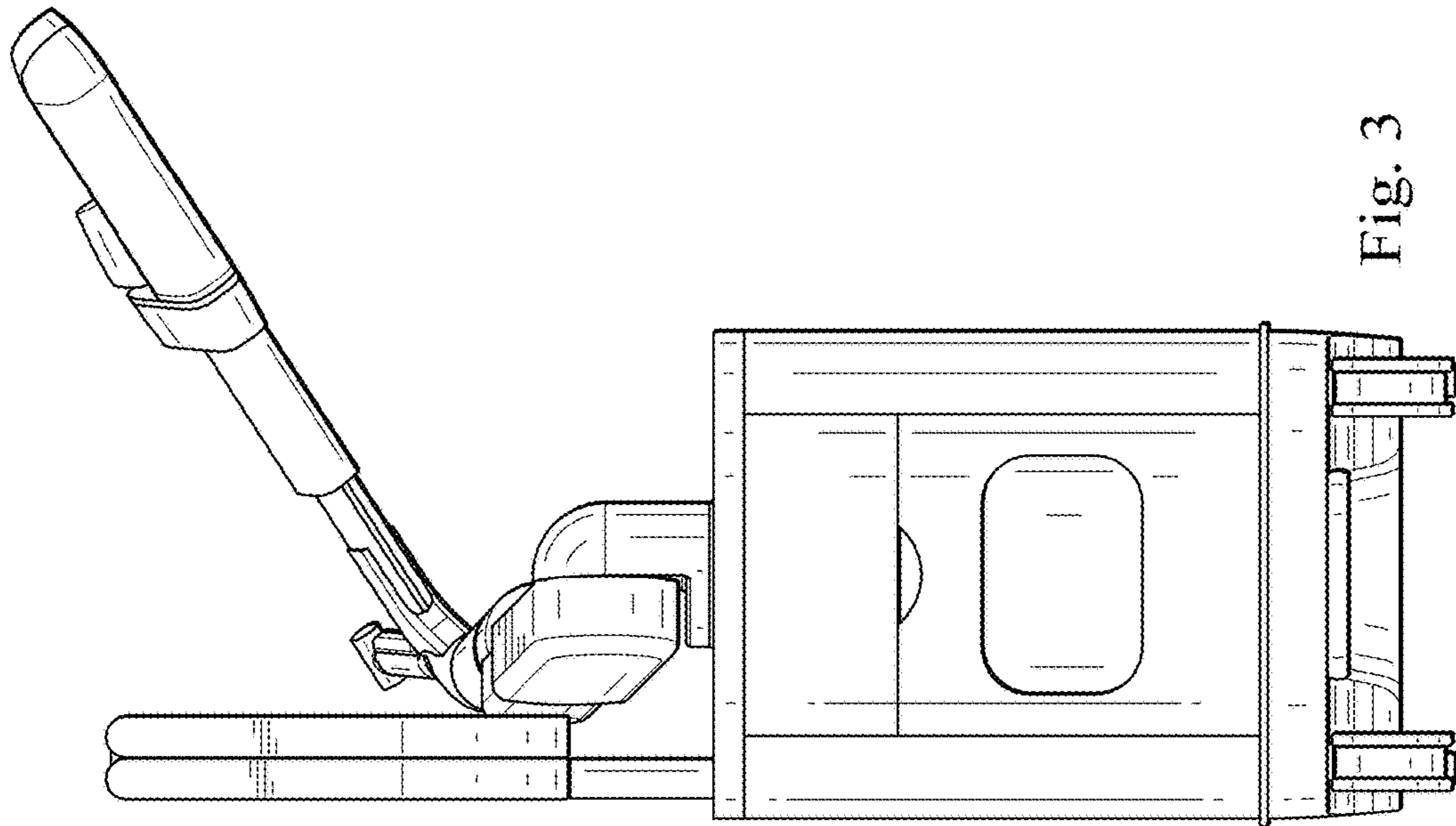


Fig. 3

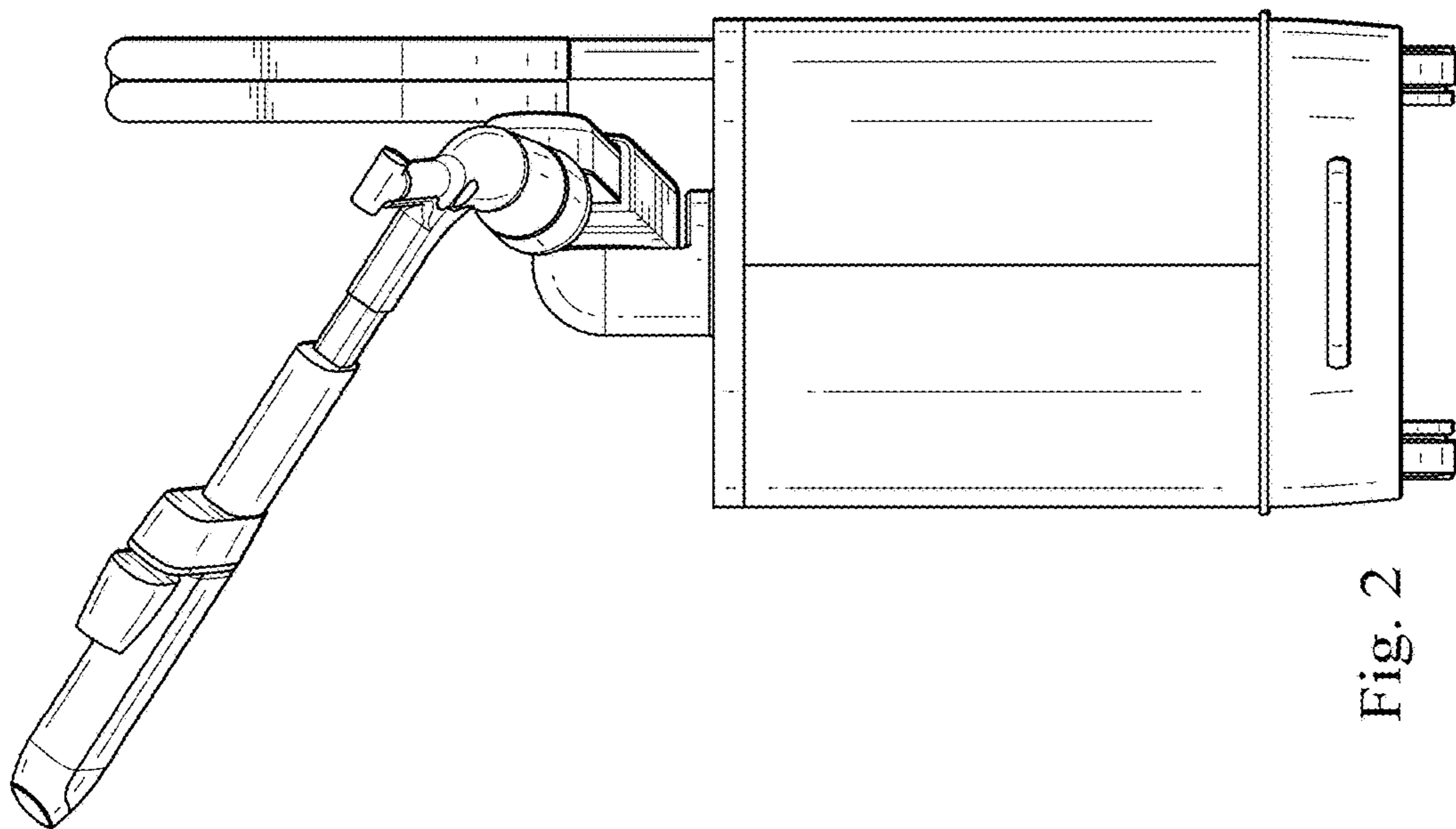
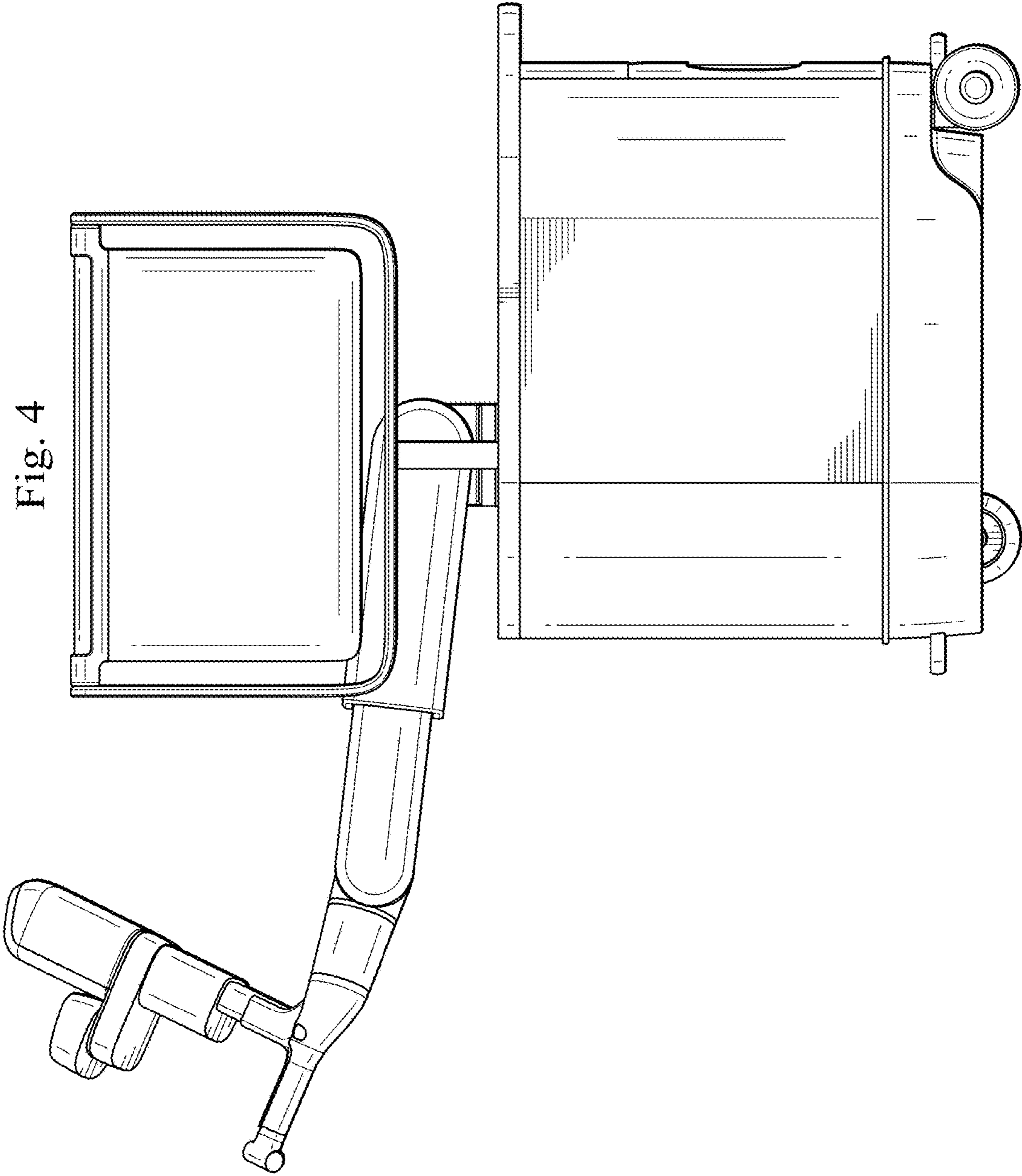


Fig. 2

Fig. 4



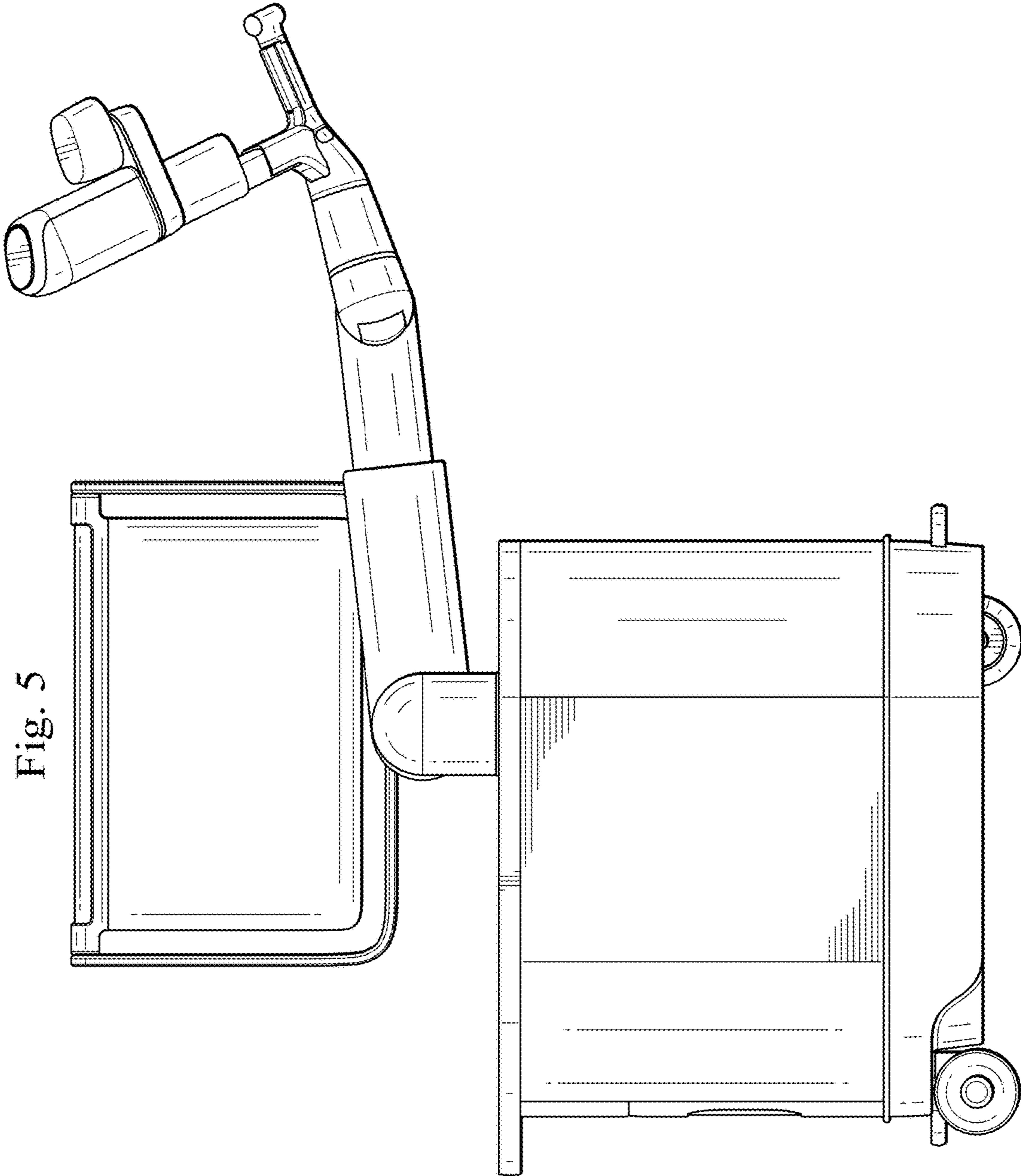
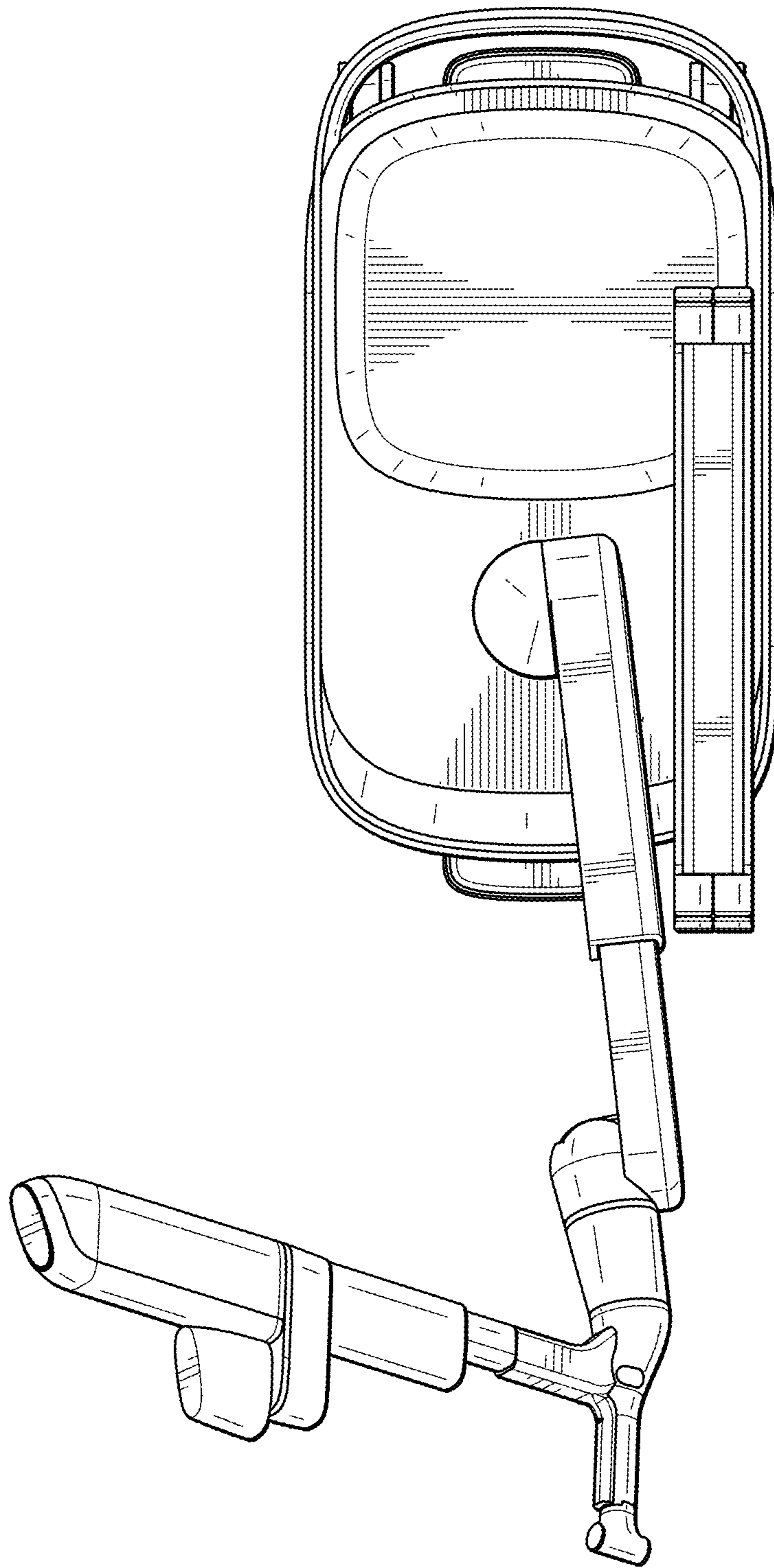


Fig. 5

Fig. 6



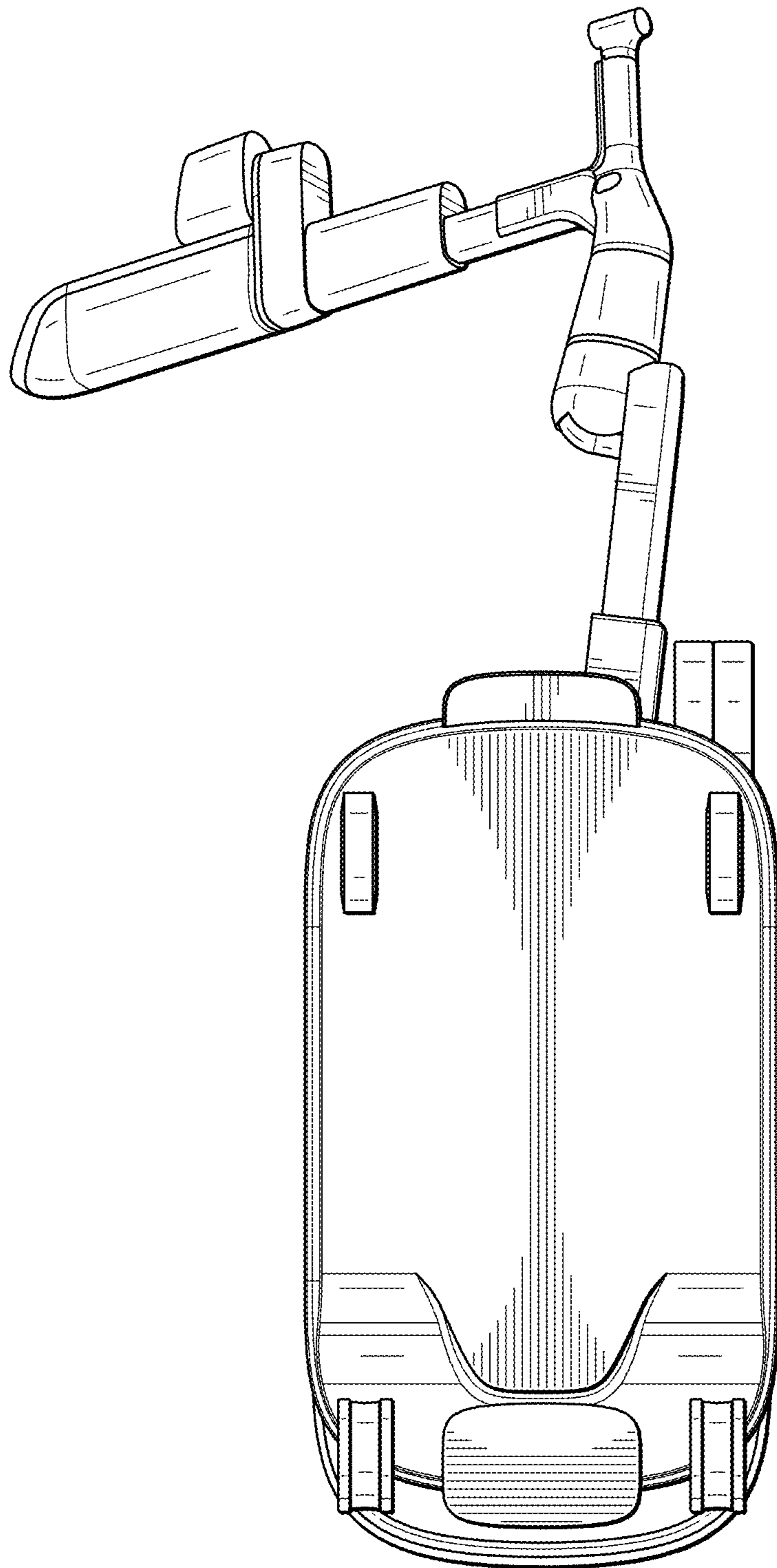


Fig. 7

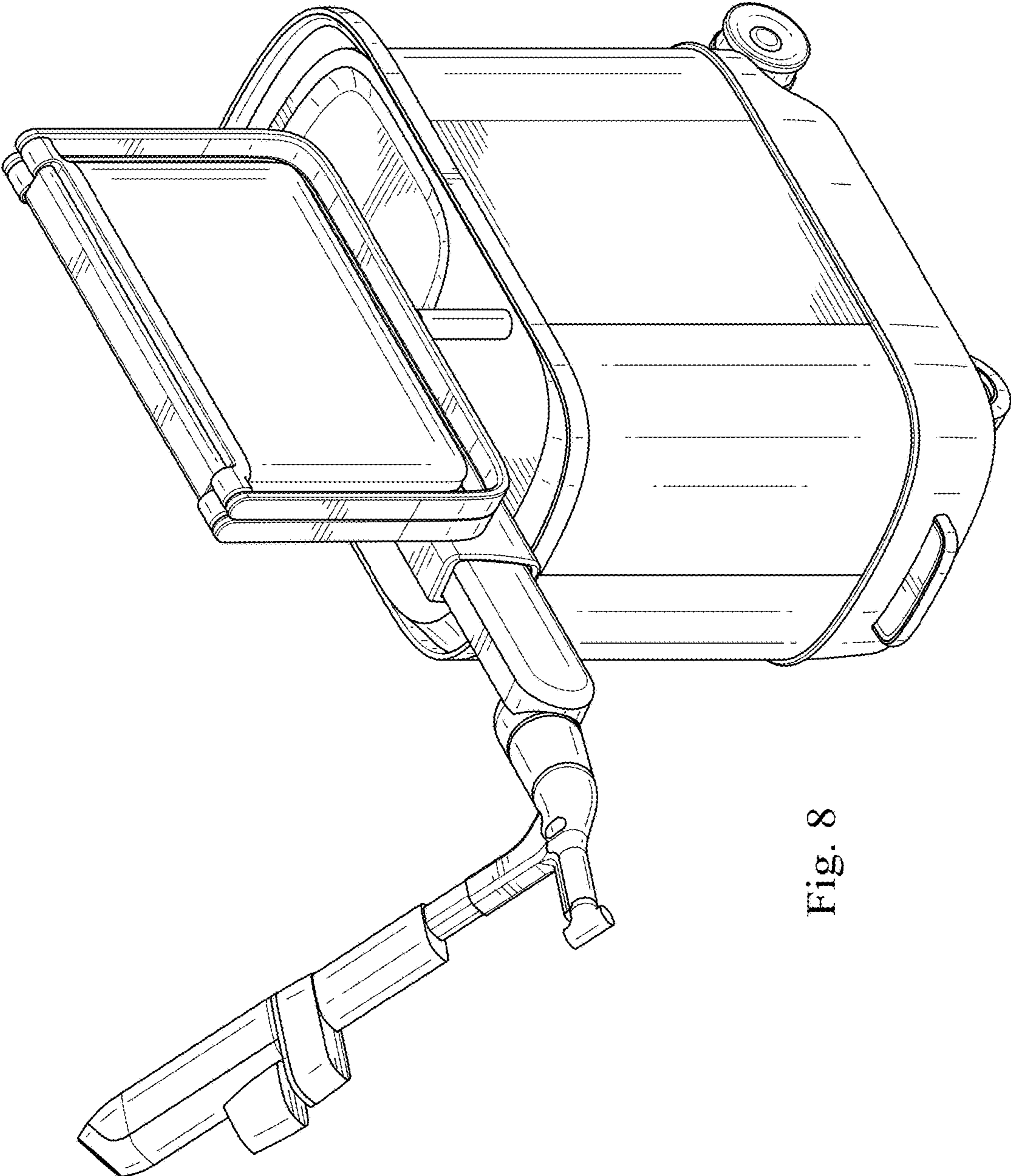


Fig. 8

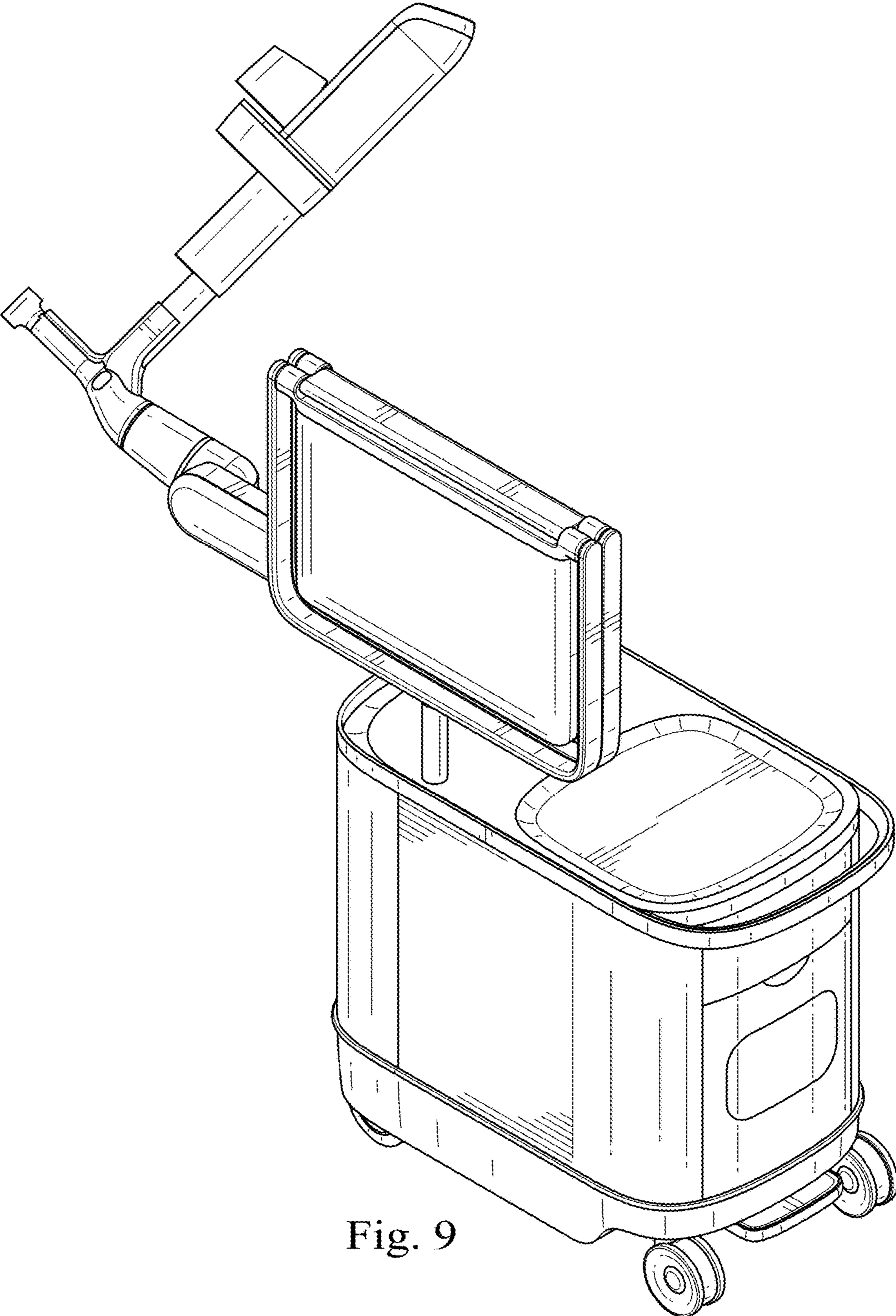


Fig. 9

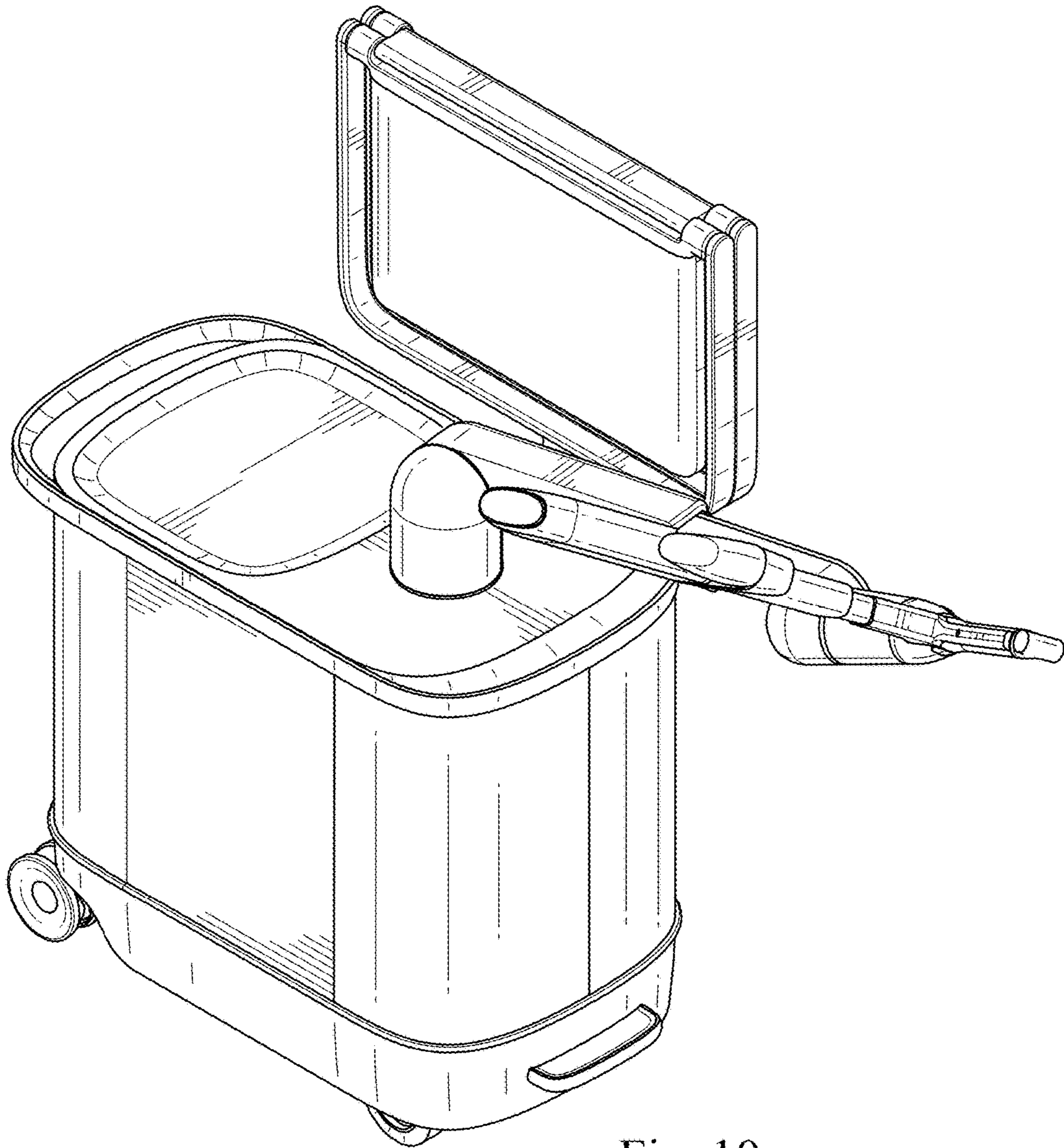


Fig. 10

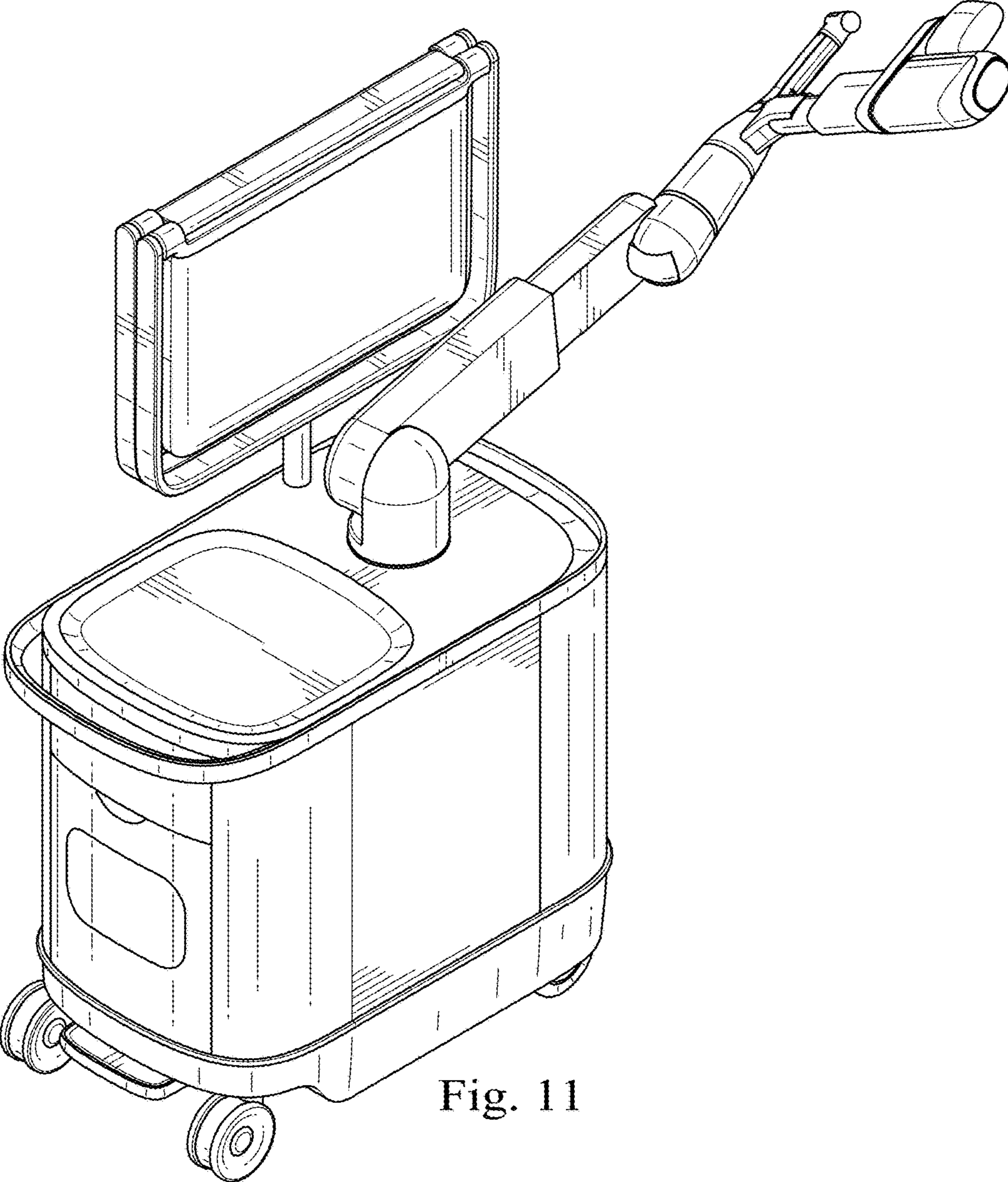


Fig. 11