



US00D837376S

(12) **United States Design Patent** (10) **Patent No.:** **US D837,376 S**
Bagheri (45) **Date of Patent:** **** Jan. 1, 2019**

(54) **ENDODONTIC TOOL** 6,872,075 B2 * 3/2005 Regan A61C 5/42
433/102
(71) Applicant: **Moji Bagheri**, Anaheim Hills, CA (US) 6,932,605 B2 8/2005 McLean et al.
7,270,541 B1 9/2007 Johnson
(72) Inventor: **Moji Bagheri**, Anaheim Hills, CA (US) 7,347,692 B2 3/2008 Roetzer et al.
D571,043 S 6/2008 Crossman
7,731,498 B2 6/2010 McSpadden
(**) Term: **15 Years** 7,766,657 B2 8/2010 Jaunberzins
7,938,645 B2 5/2011 Sopian
(21) Appl. No.: **29/587,873** 8,047,842 B2 11/2011 Johnson
8,182,265 B2 5/2012 McSpadden
(22) Filed: **Dec. 15, 2016** D662,206 S 6/2012 Way et al.
D668,339 S 10/2012 Luoto
(51) **LOC (11) Cl.** **24-02** D674,610 S 1/2013 Eatherton
(52) **U.S. Cl.** D679,837 S 4/2013 Bonjar
USPC **D24/152** D700,329 S 2/2014 Lim
(58) **Field of Classification Search** 8,647,116 B2 2/2014 Becker et al.
USPC D24/146-147, 152, 156; D8/83, 107, 8,727,772 B2 5/2014 Jaunberzins
D8/300; 433/141, 224
CPC A61C 5/40; A61C 5/42
See application file for complete search history.

(Continued)

OTHER PUBLICATIONS

Office Action dated Mar. 13, 2018 from U.S. Appl. No. 15/598,950.

Primary Examiner — Wan Laymon
(74) *Attorney, Agent, or Firm* — Innovation Capital Law Group, LLP; Vic Lin

(56) **References Cited**

U.S. PATENT DOCUMENTS

3,247,594 A * 4/1966 Nosonowitz A61C 5/42
433/102
3,924,334 A 12/1975 Lentine et al.
4,028,810 A 6/1977 Vice
4,364,730 A 12/1982 Axelsson
4,859,183 A * 8/1989 Martin A61C 5/42
433/102
5,092,769 A 3/1992 Reiter et al.
5,516,287 A * 5/1996 Zdarsky A61C 5/42
433/102
5,762,541 A * 6/1998 Heath A61C 5/42
433/102
5,775,902 A * 7/1998 Matsutani A61C 5/42
433/102
6,074,209 A 6/2000 Johnson
6,158,444 A 12/2000 Weihrauch
6,302,691 B1 10/2001 Manzoli
6,520,773 B1 2/2003 Weber
D497,668 S 10/2004 Bogazzi

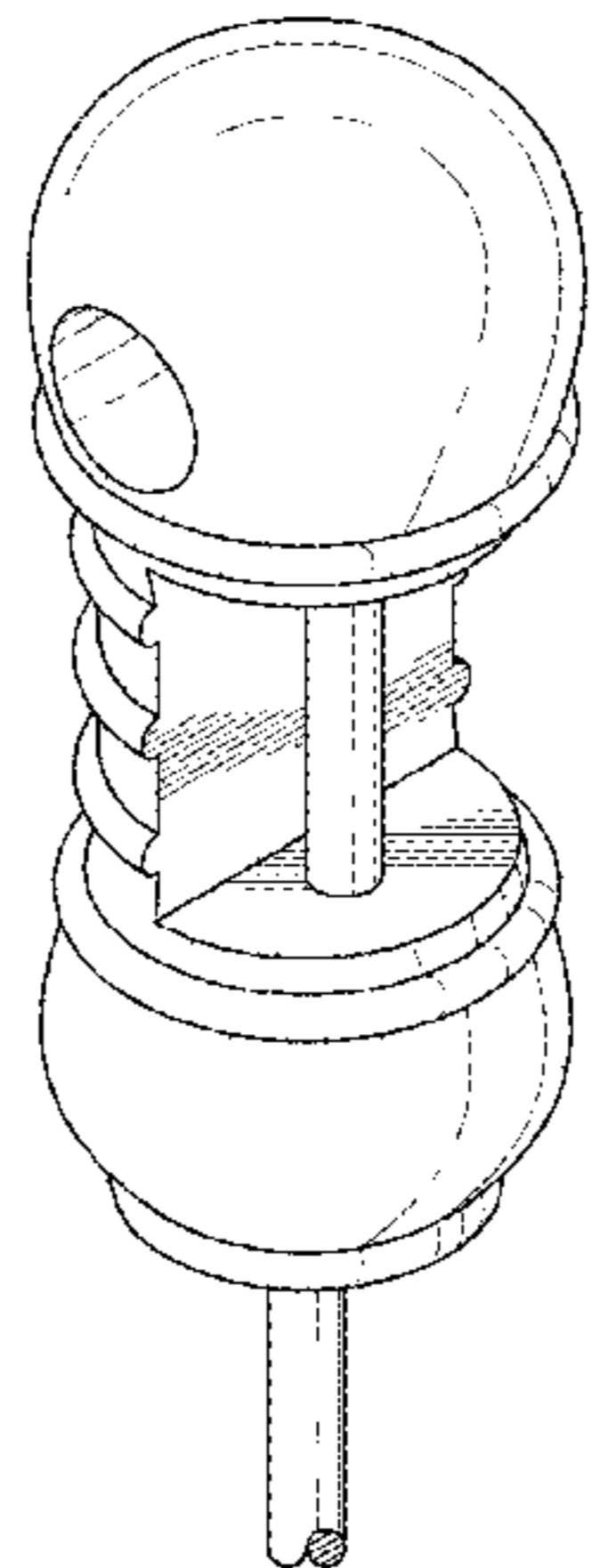
(57) **CLAIM**

The ornamental design for an endodontic tool, as shown and described.

DESCRIPTION

FIG. 1 is a perspective view of an endodontic tool showing my new design;
FIG. 2 is a front view thereof;
FIG. 3 is a back view thereof;
FIG. 4 is a right side plan view thereof;
FIG. 5 is a left side plan view thereof;
FIG. 6 is a top plan view thereof; and,
FIG. 7 is a bottom plan view thereof.

1 Claim, 4 Drawing Sheets



(56)

References Cited

U.S. PATENT DOCUMENTS

D710,009	S	7/2014	Maupin	
8,790,116	B2	7/2014	Becker et al.	
D714,114	S	9/2014	Robinson et al.	
D737,443	S	8/2015	Ciravolo et al.	
D742,007	S	10/2015	Schuetz	
D744,101	S	11/2015	Kiefer et al.	
D747,842	S	1/2016	Bressler	
D764,103	S	8/2016	Wallström et al.	
D767,900	S	10/2016	Kalbfeld	
9,931,179	B2 *	4/2018	Rouiller	A61C 5/42
2004/0058297	A1 *	3/2004	Danger	A61C 5/42 433/102
2005/0003326	A1	1/2005	Lampert	
2007/0218420	A1	9/2007	Syribey	
2009/0181341	A1	7/2009	Lampert	
2012/0308957	A1	12/2012	Katoh	
2013/0022940	A1 *	1/2013	Peli	A61C 5/42 433/164
2014/0004479	A1 *	1/2014	Rouiller	A61C 5/42 433/102
2015/0230902	A1	8/2015	Andreou	
2015/0282601	A1	10/2015	Butz et al.	
2016/0302883	A1	10/2016	Sprechman	
2017/0143450	A1 *	5/2017	Dabar	A61C 5/42

* cited by examiner

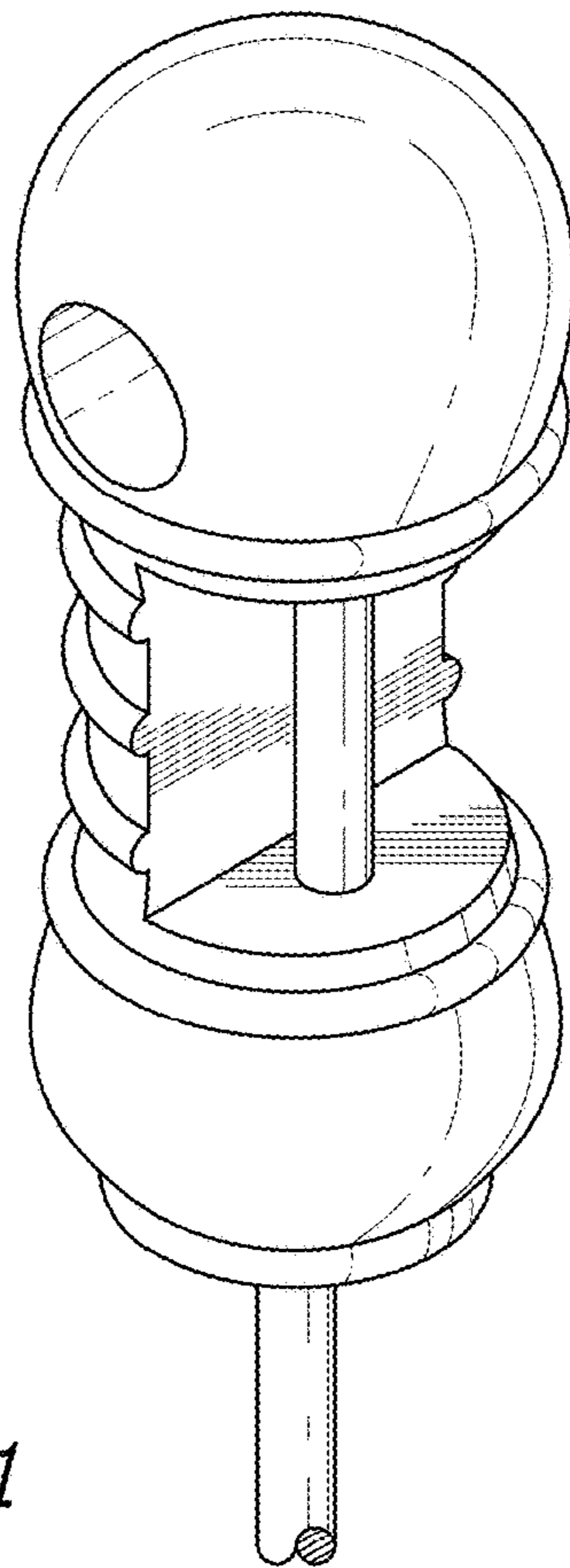


FIG. 1

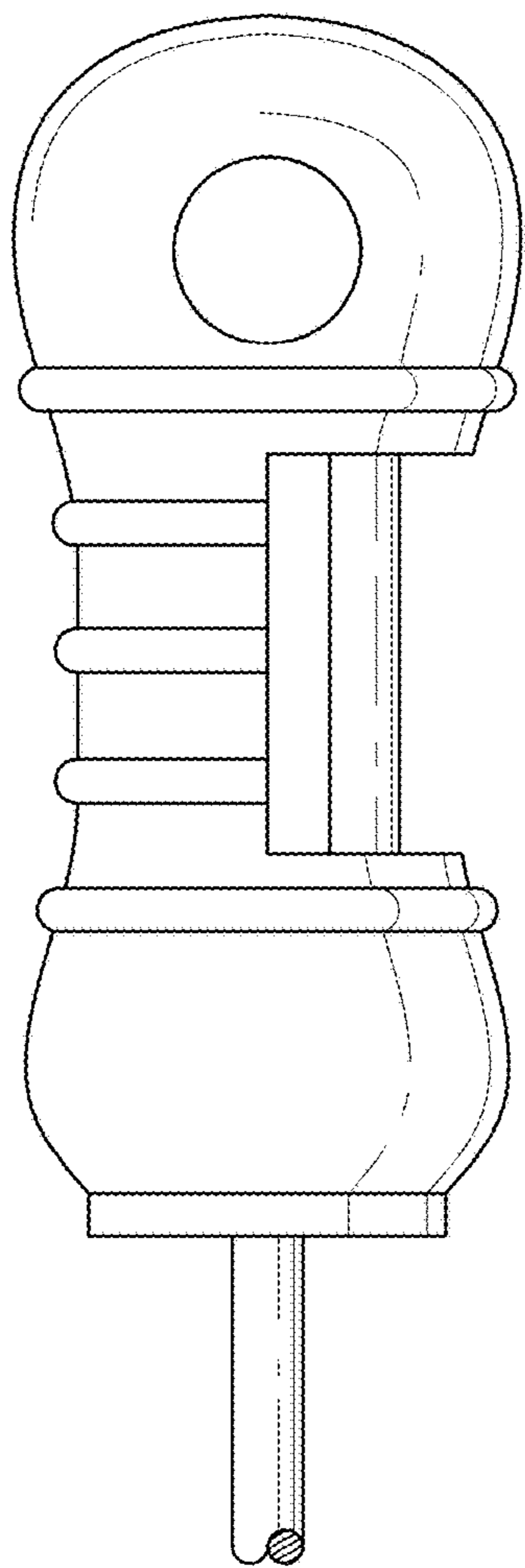


FIG. 2

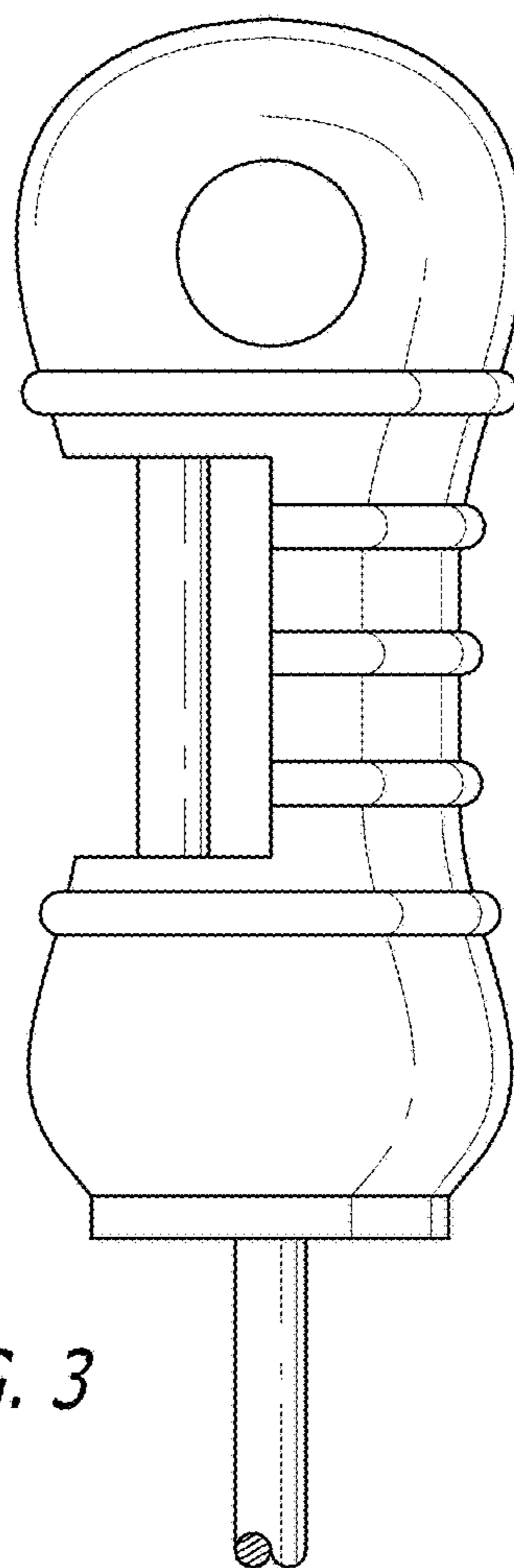


FIG. 3

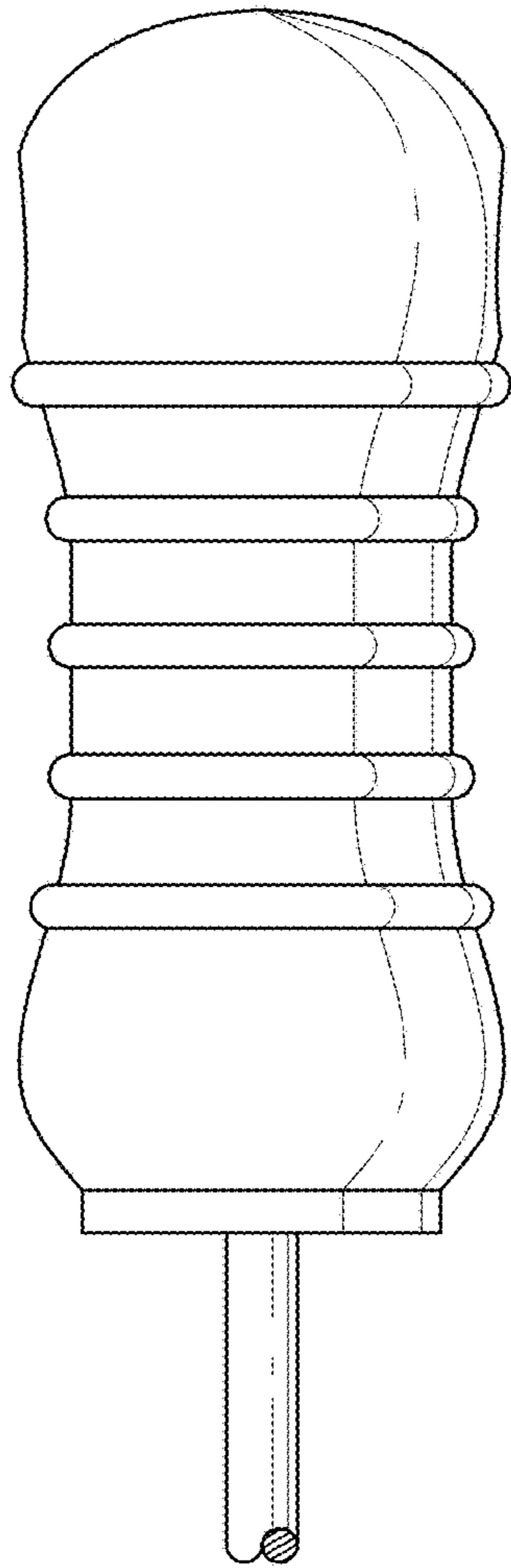


FIG. 4

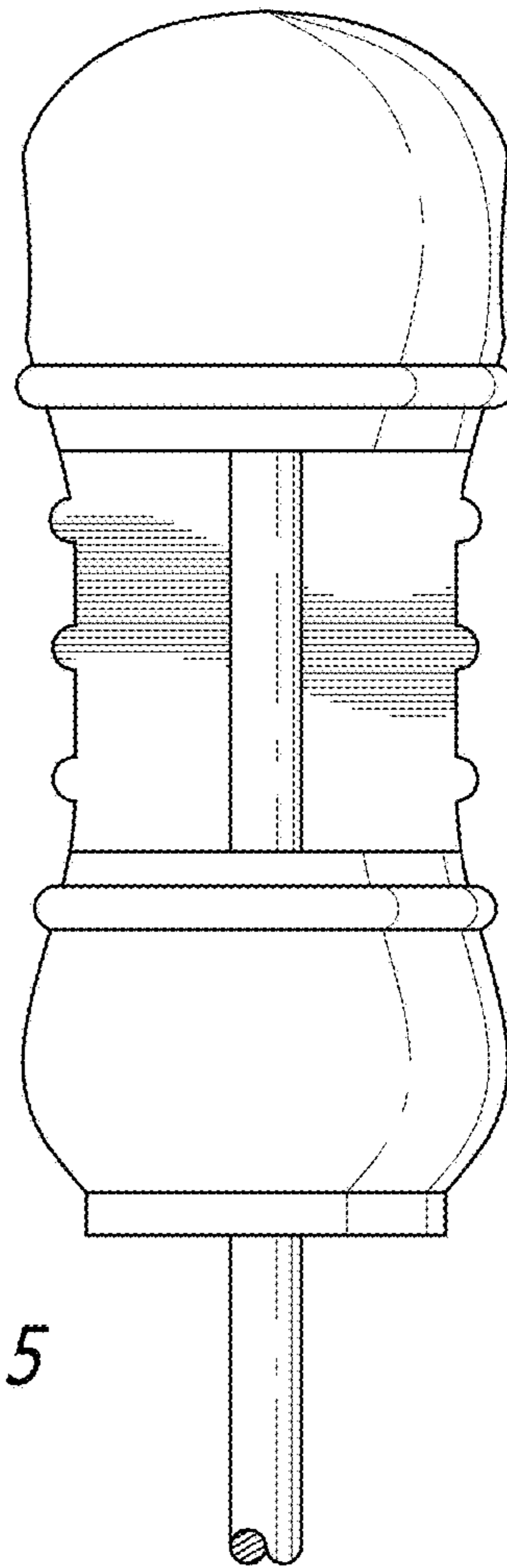


FIG. 5

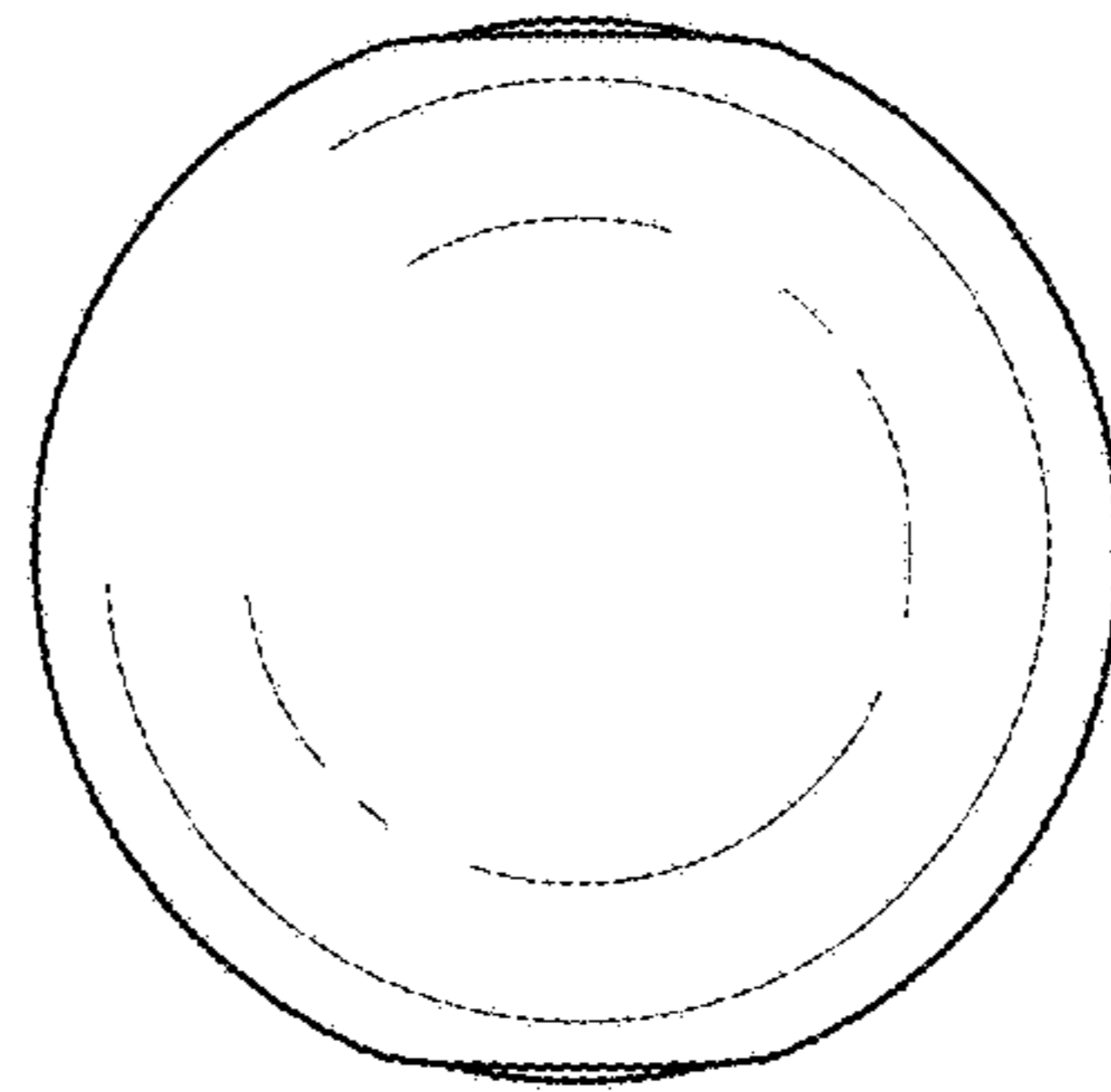


FIG. 6

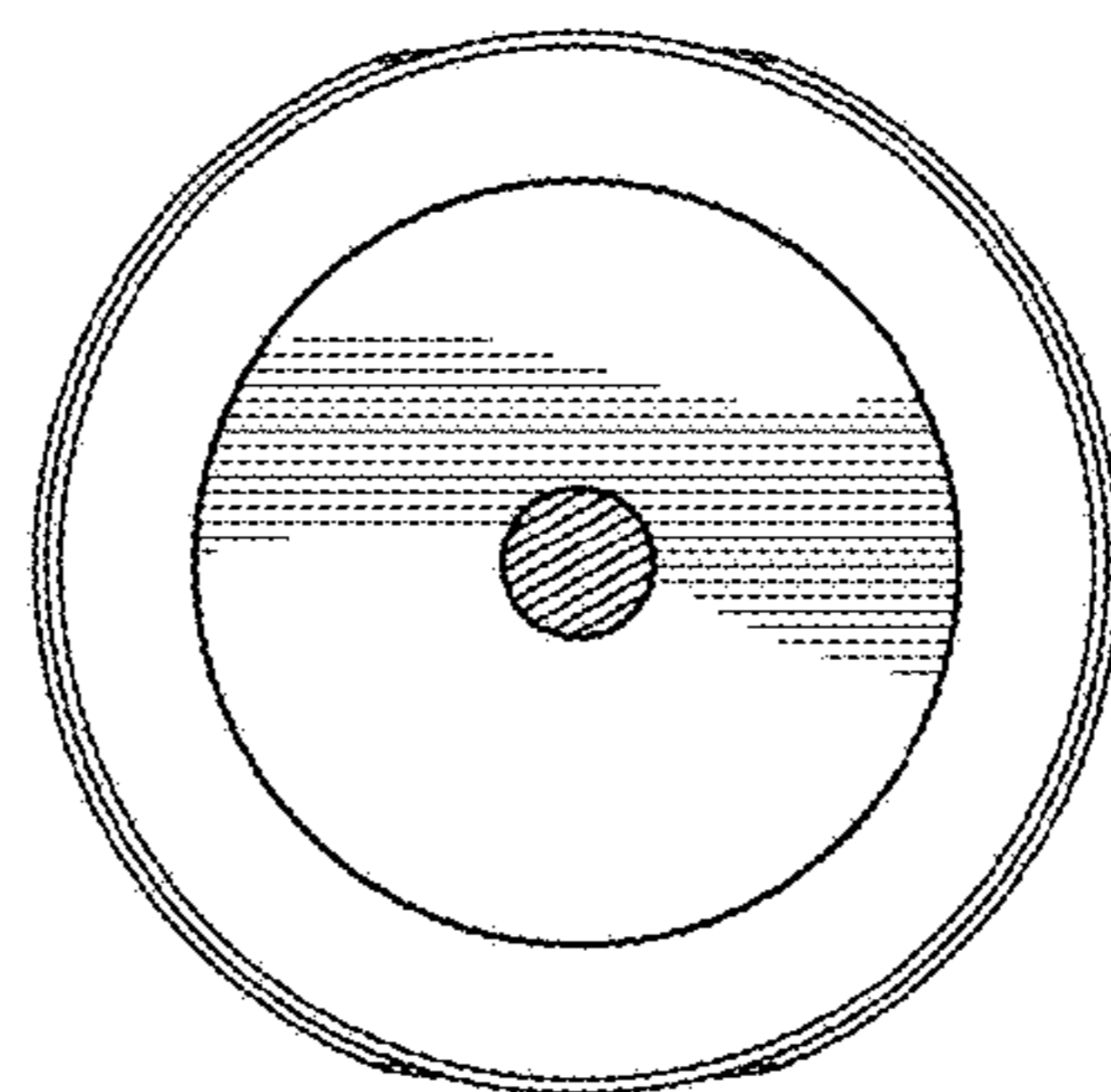


FIG. 7