



US00D837374S

(12) **United States Design Patent** (10) **Patent No.:** **US D837,374 S**
Wonderley (45) **Date of Patent:** **** Jan. 1, 2019**

(54) **BLADE GRIP**
(71) Applicant: **ACCUTECH BLADES, INC.**, Verona, VA (US)
(72) Inventor: **Jeffrey W. Wonderley**, Fort Defiance, VA (US)
(73) Assignee: **ACCUTECH BLADES, INC.**, Verona, VA (US)
(**) Term: **15 Years**
(21) Appl. No.: **29/585,701**
(22) Filed: **Nov. 28, 2016**
(51) **LOC (11) Cl.** **24-02**
(52) **U.S. Cl.**
USPC **D24/146; D24/133**
(58) **Field of Classification Search**
USPC D24/112-114, 146, 147, 133; D28/58, D28/59, 62, 57; D8/14, 107, 300, 301, D8/302, 303, 307, 311, 312, 315, 321; D9/434; D7/393, 394, 395; 30/287
CPC A61B 17/322; A61B 2017/00761; A61B 2017/0042; A61B 10/0233; A61B 2017/320004; A61B 2017/320008; A61B 17/3205; A61B 10/0266; A61B 2017/00424; B26B 21/56; B26B 5/006
See application file for complete search history.

D403,035 S * 12/1998 MacPherson D21/684
D404,486 S * 1/1999 McCool D24/146
D467,387 S * 12/2002 Wonderley D28/45
D552,795 S * 10/2007 Wonderley D24/133
D778,706 S * 2/2017 Atkins D8/303
D807,146 S * 1/2018 Werdotatz D8/107
D814,264 S * 4/2018 Werdotatz D8/303

OTHER PUBLICATIONS

https://www.pfmmedical.com/en/productcatalogue/kai_biopsyblades/biopsiblade_bb_01/index.html. Date of search, Jun. 15, 2017.

* cited by examiner

Primary Examiner — Cathron C Brooks
Assistant Examiner — Samantha Q. Lawrence
(74) *Attorney, Agent, or Firm* — McGuireWoods LLP

(57) **CLAIM**

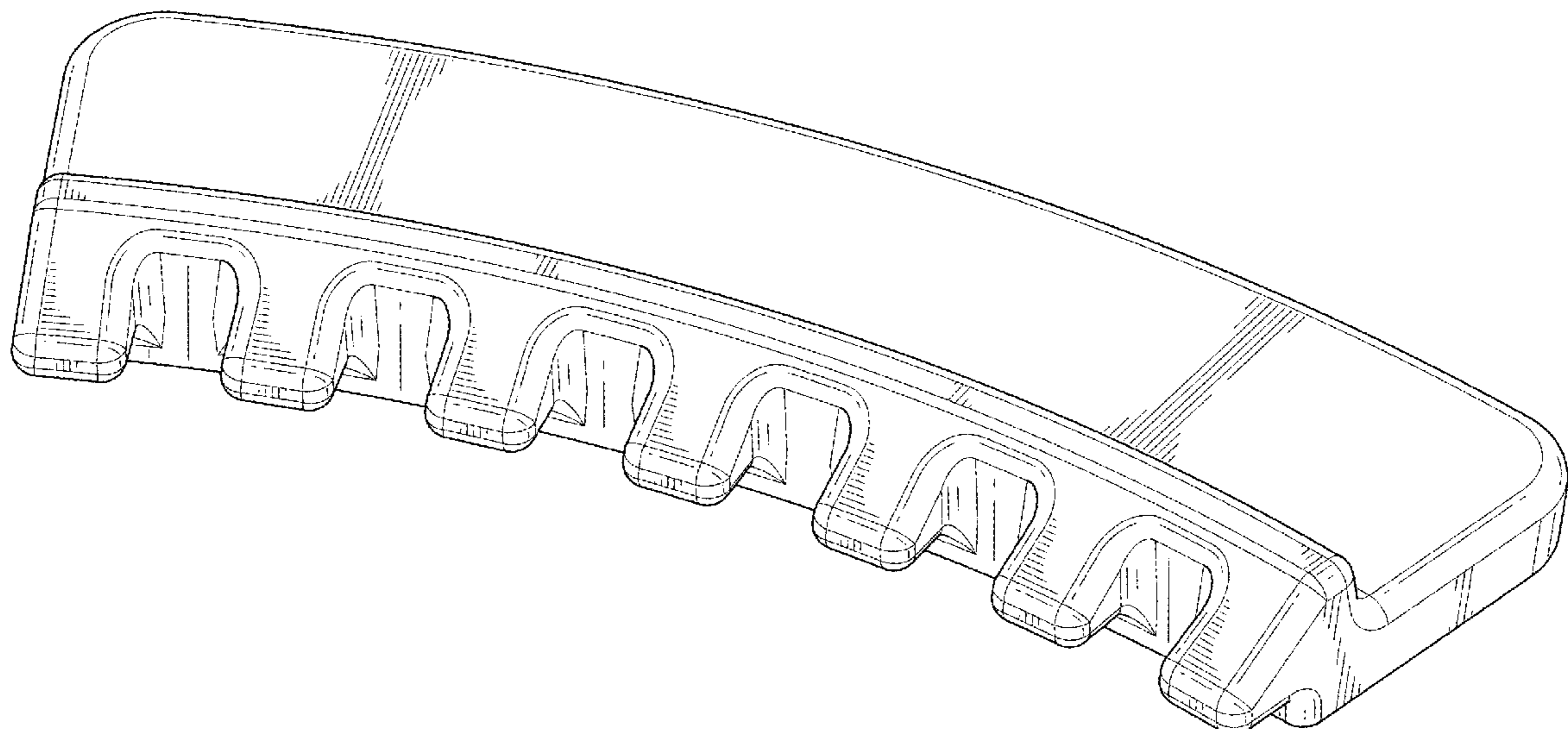
I claim the ornamental design for a blade grip, as shown and described.

DESCRIPTION

FIG. 1 is a front perspective view of a blade grip;
FIG. 2 is a right side view thereof;
FIG. 3 is a left side view thereof;
FIG. 4 is a front view thereof;
FIG. 5 is a rear view thereof;
FIG. 6 is a top view thereof; and,
FIG. 7 is a bottom view thereof.
The broken lines shown in FIGS. 2-5 and FIG. 7 illustrate portions of the blade grip that form no part of the claimed design.

1 Claim, 5 Drawing Sheets

(56) **References Cited**
U.S. PATENT DOCUMENTS
5,674,234 A * 10/1997 McCool A61B 17/32093
30/32
D402,367 S * 12/1998 McCool D24/146



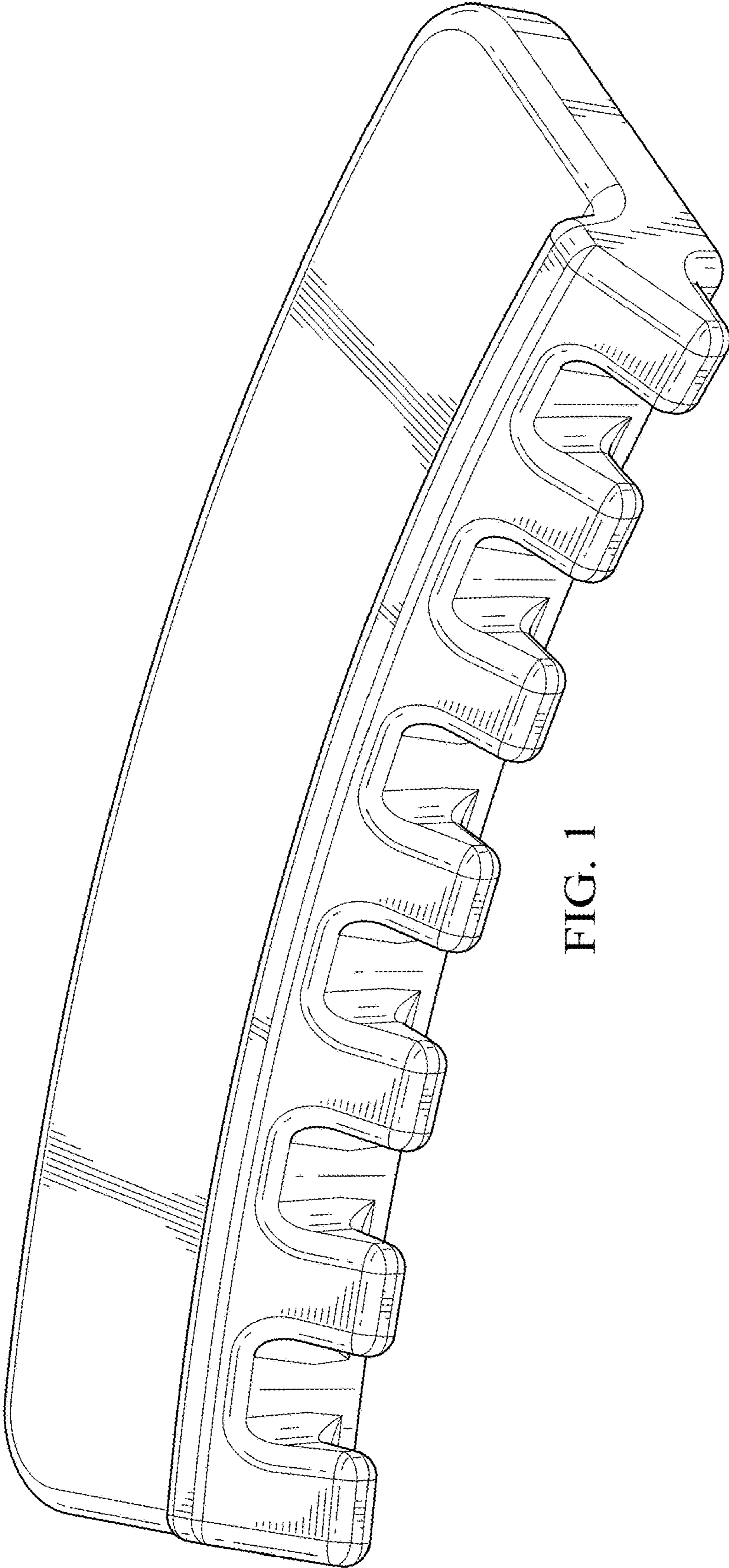


FIG. 1

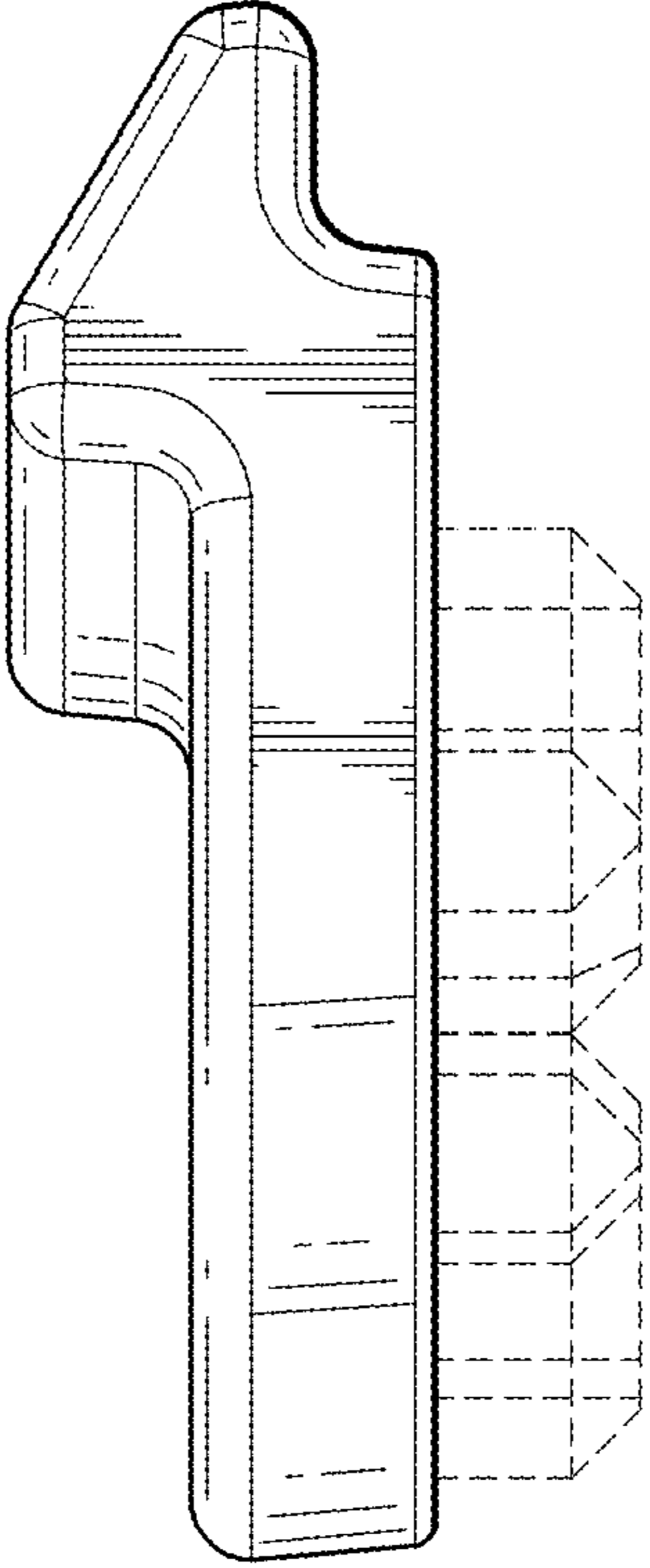


FIG. 3

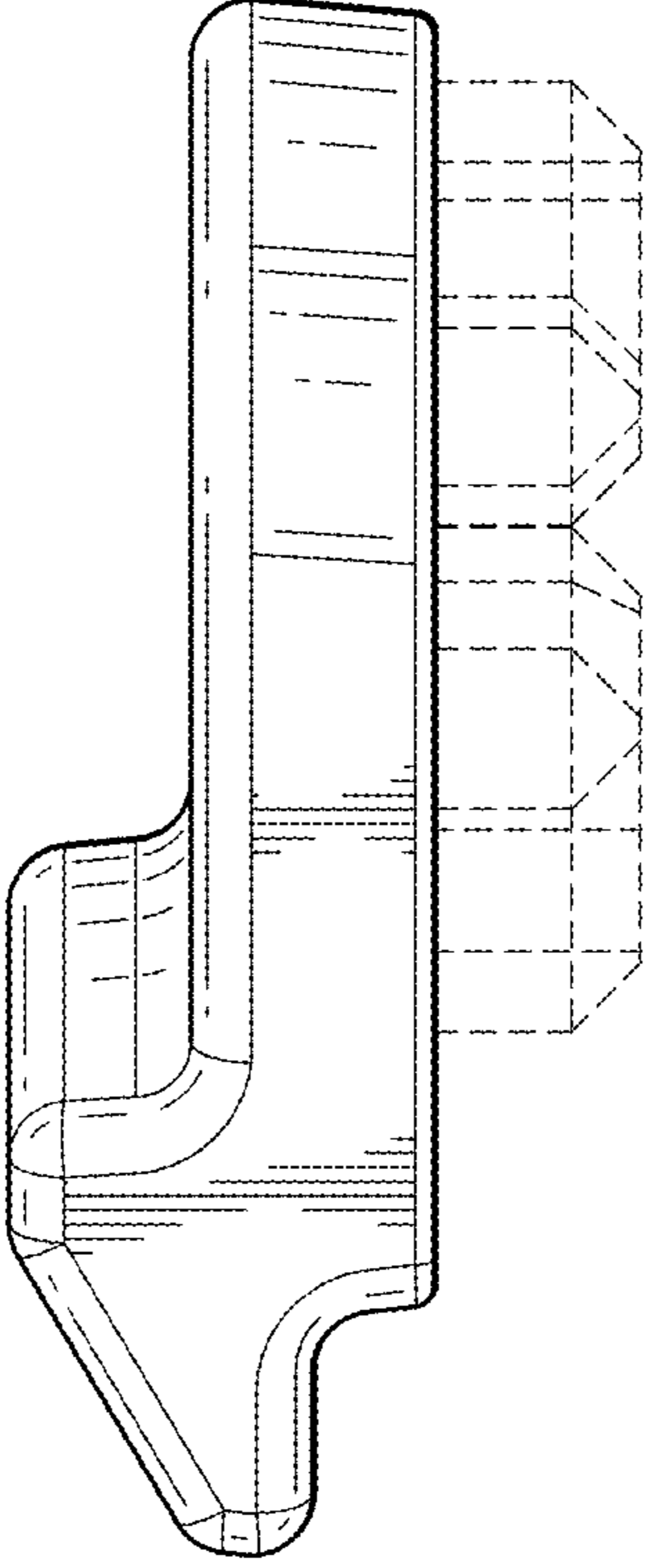


FIG. 2

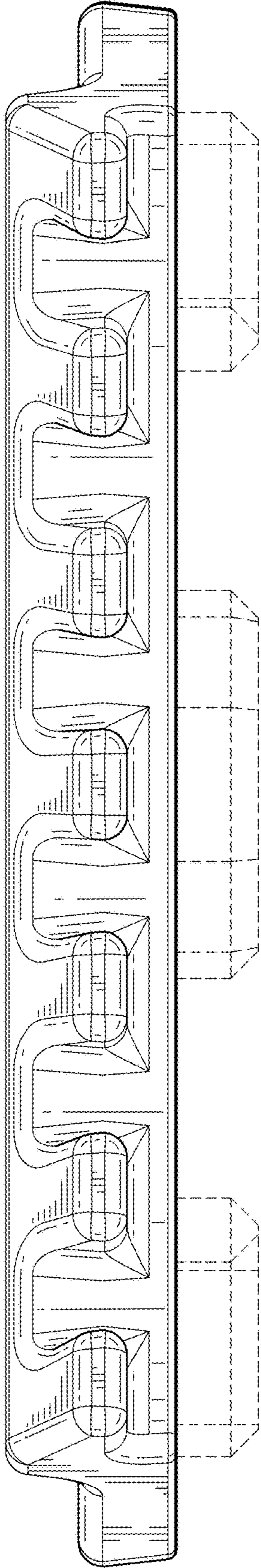


FIG. 4

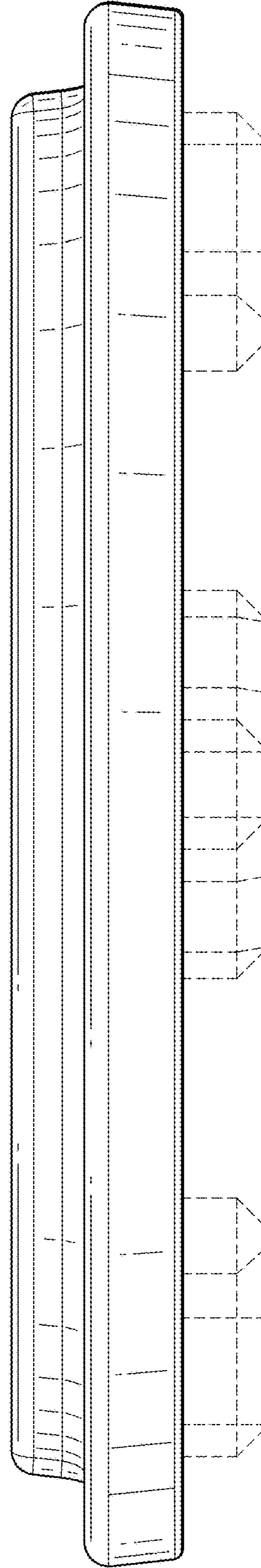


FIG. 5

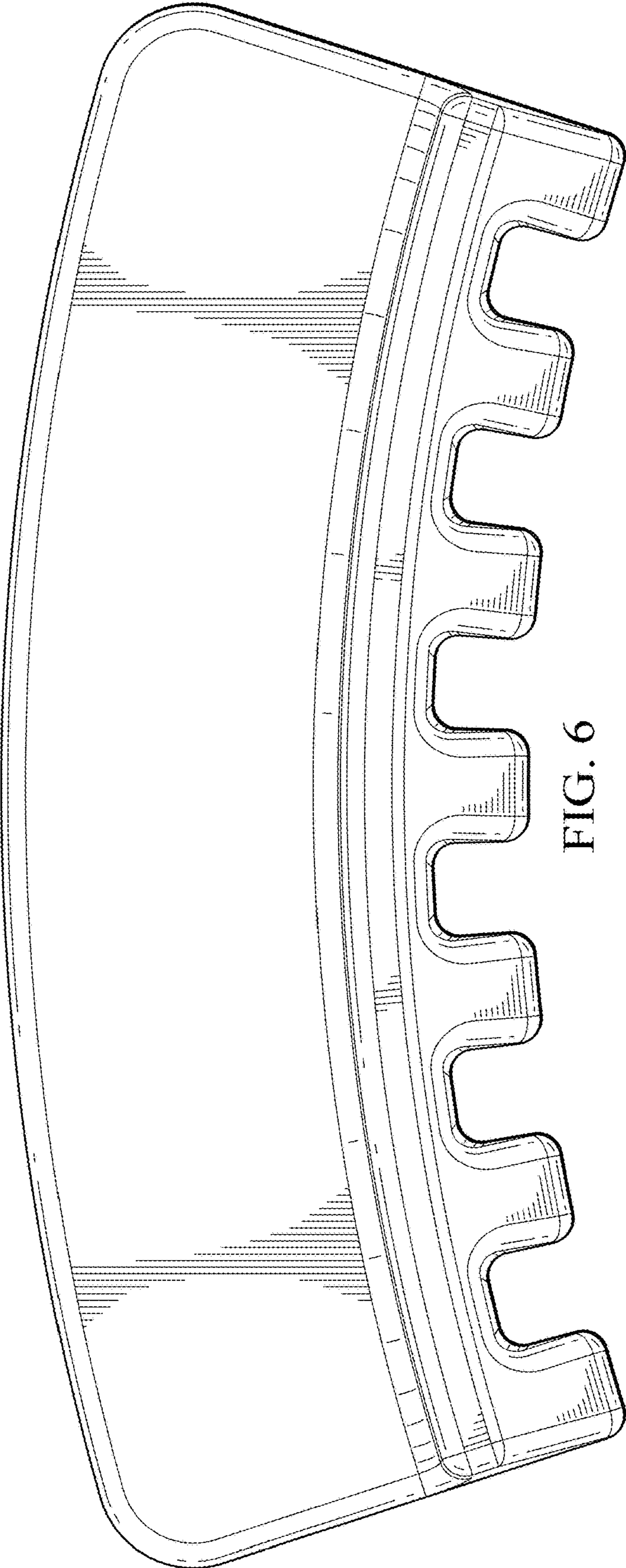


FIG. 6

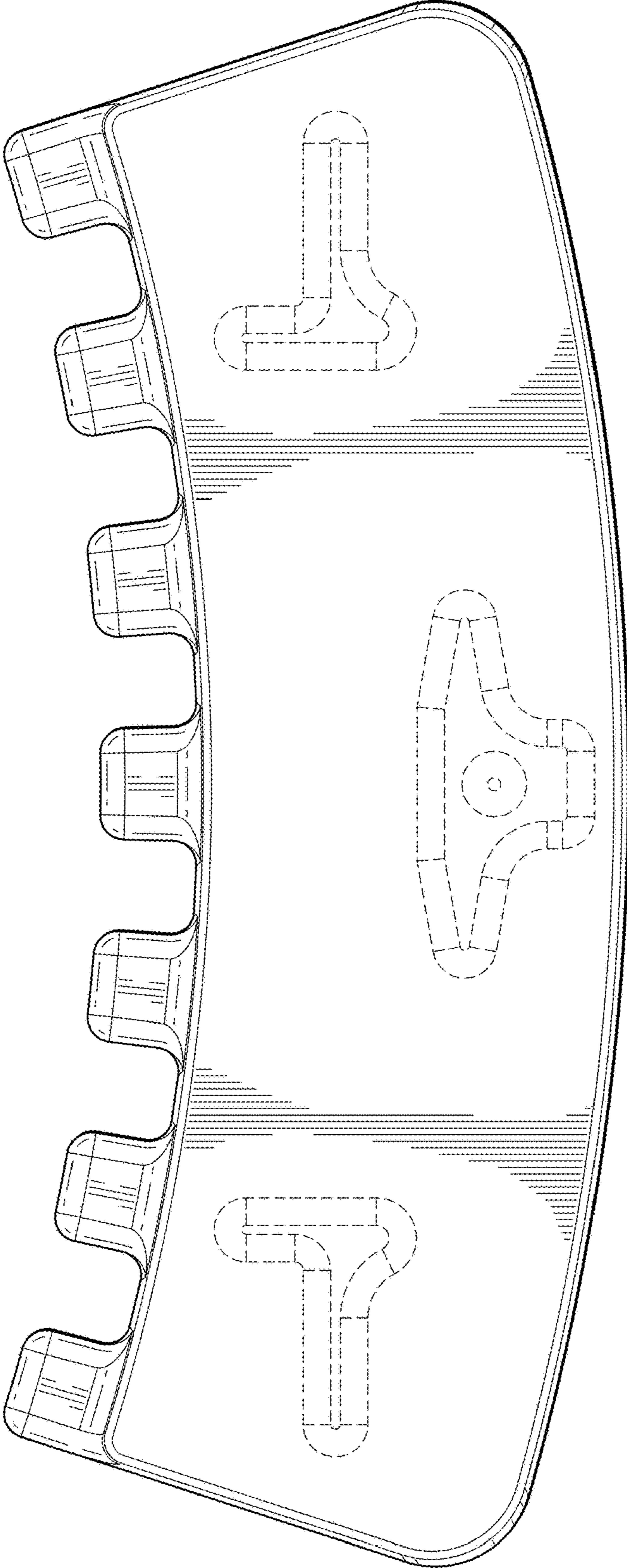


FIG. 7