



US00D837370S

(12) **United States Design Patent**  
**Wetzel et al.**

(10) **Patent No.:** **US D837,370 S**  
(45) **Date of Patent:** **\*\* Jan. 1, 2019**

- (54) **NEEDLE GUIDE FOR SURGERY**
- (71) Applicant: **MEDICAL TEMPLATES AG**, Egg B. Zürich (CH)
- (72) Inventors: **Stephan Wetzel**, Egg b. Zürich (CH); **Rafael Hostettler**, München (DE)
- (\*\*) Term: **15 Years**
- (21) Appl. No.: **35/503,933**
- (22) Filed: **Jun. 12, 2017**

6,331,280 B1 \* 12/2001 Wood ..... A61L 2/26  
206/268  
D577,438 S \* 9/2008 Gallogly ..... D24/129  
D628,306 S \* 11/2010 Blanc ..... D24/230  
D654,186 S \* 2/2012 Park ..... D24/227  
D699,859 S \* 2/2014 Motadel ..... D24/227  
D704,261 S \* 5/2014 Kim ..... D19/85  
D712,566 S \* 9/2014 Hicks ..... D24/227  
D752,743 S \* 3/2016 Oberg ..... A61B 8/0833  
D24/130  
D793,573 S \* 8/2017 Karmeniemi ..... D24/226  
D801,523 S \* 10/2017 Khouri ..... D24/130  
D824,534 S \* 7/2018 Kelly ..... D24/224

- (80) **Hague Agreement Data**  
Int. Filing Date: **Jun. 12, 2017**  
Int. Reg. No.: **DM/098222**  
Int. Reg. Date: **Jun. 12, 2017**  
Int. Reg. Pub. Date: **Nov. 10, 2017**
- (51) **LOC (11) Cl.** ..... **24-02**
- (52) **U.S. Cl.**  
USPC ..... **D24/140**
- (58) **Field of Classification Search**  
USPC ..... D24/130, 140, 171, 186, 216, 223, 224,  
D24/226, 227, 229, 231; D10/75  
CPC ..... A61B 90/00; A61B 90/10; A61B 90/0011;  
A61B 2560/0456; A61B 2560/0462  
See application file for complete search history.

- (56) **References Cited**  
U.S. PATENT DOCUMENTS  
D229,060 S \* 11/1973 Weissman ..... A61B 8/0833  
D15/132  
D254,568 S \* 3/1980 Mack, Jr. .... D10/81  
D332,664 S \* 1/1993 Sincock ..... D24/130  
D345,017 S \* 3/1994 Fischer ..... D24/128  
D414,271 S \* 9/1999 Mendoza ..... D24/224

**OTHER PUBLICATIONS**

www.medicaltemplates.ch: The Puncture Cube. No date, 7 pages. Found online Sep. 19, 2018 at <https://www.medicaltemplates.ch/> (Year: 2018).\*

\* cited by examiner

*Primary Examiner* — Robert M. Spear

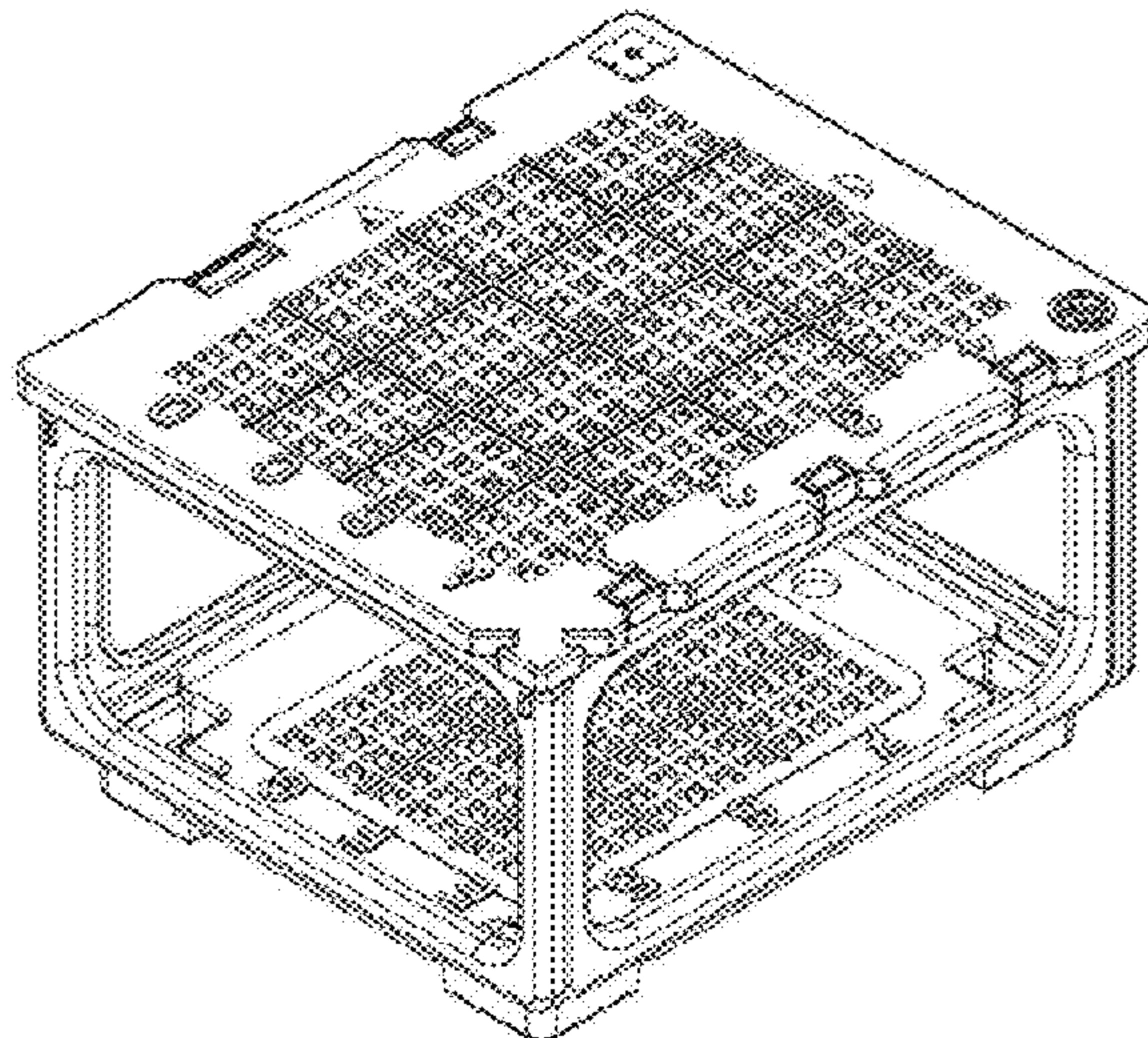
(57) **CLAIM**

The ornamental design for a needle guide for surgery, as shown and described.

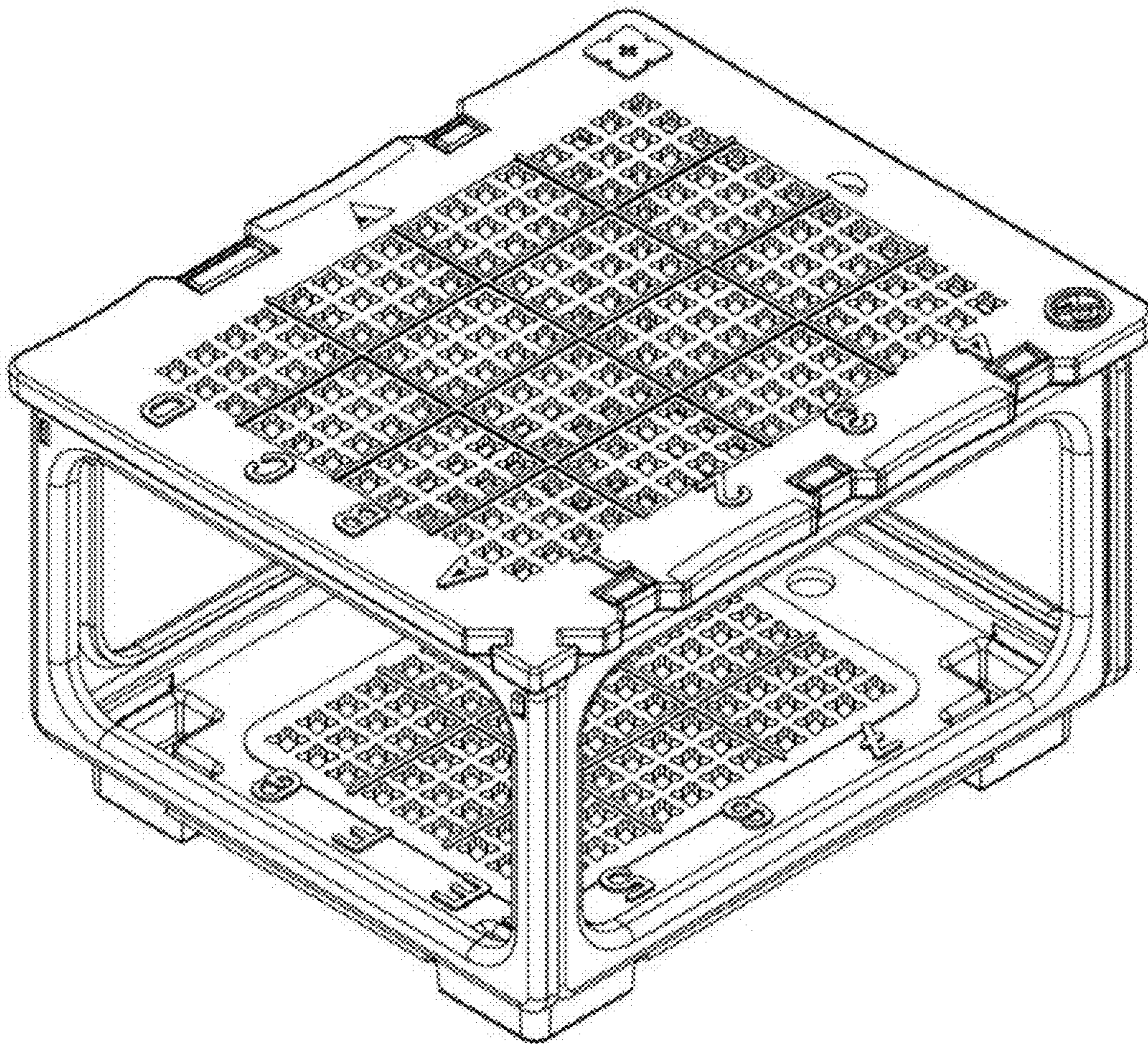
**DESCRIPTION**

- 1. Needle guide for surgery  
A needle guide means for performing percutaneous punctures with a medical needle.
- 1.1—Top perspective view;
- 1.2—Bottom perspective view;
- 1.3—Top perspective view of Fig. 1.1 rotated ninety degrees counterclockwise;
- 1.4—Alternate top perspective plan view of Fig. 1;
- 1.5—Side perspective view.

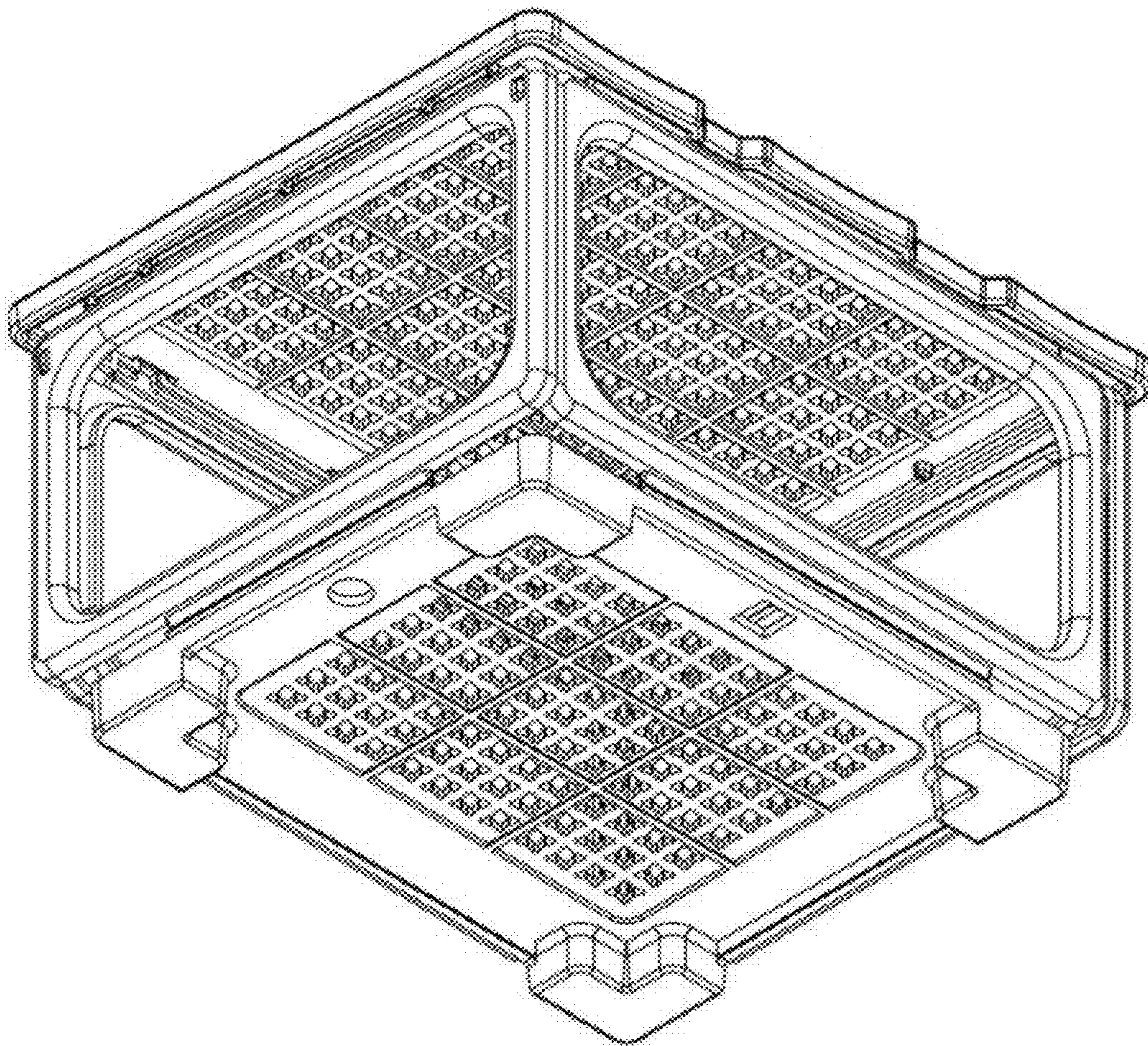
**1 Claim, 5 Drawing Sheets**



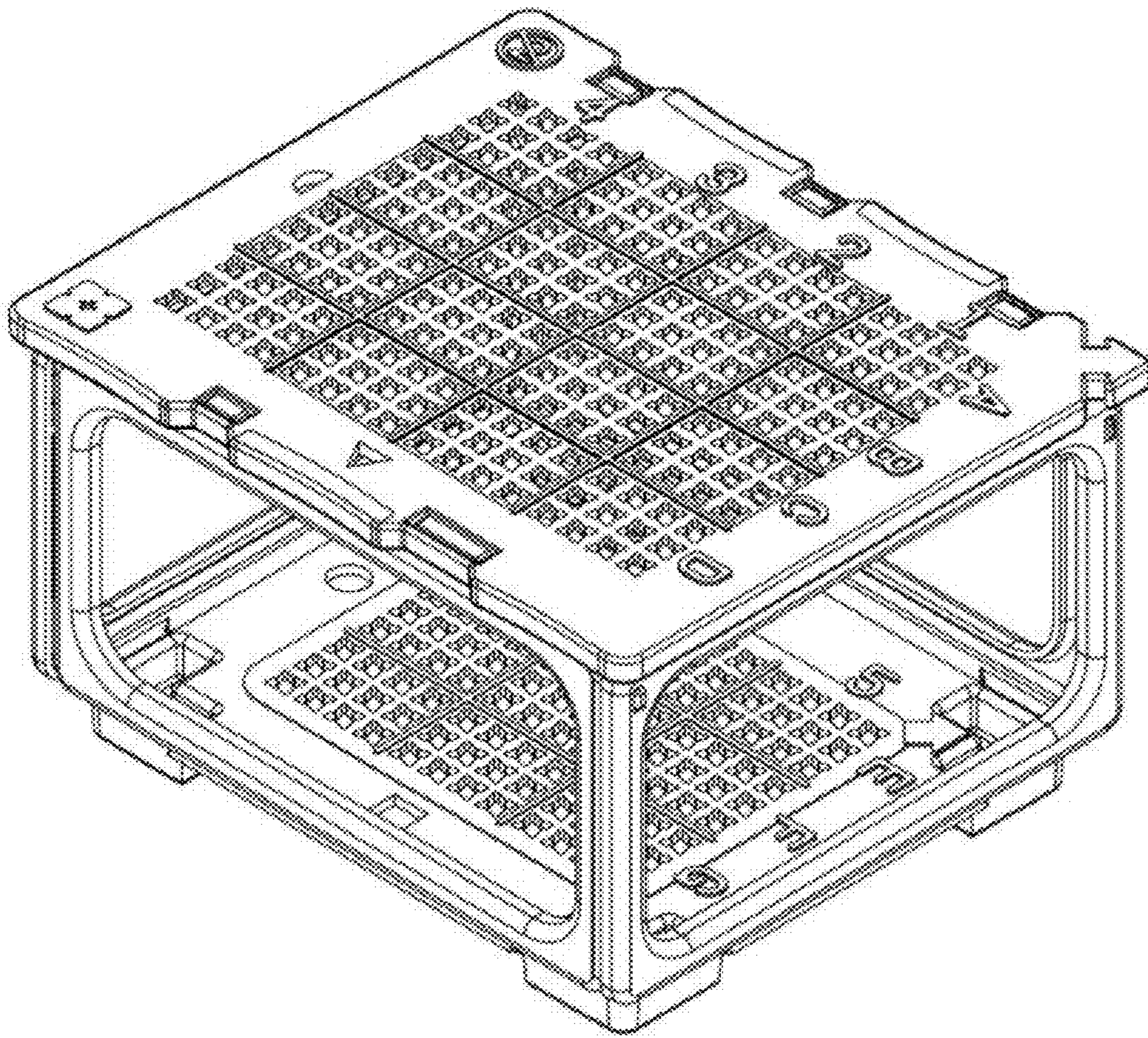
1.1



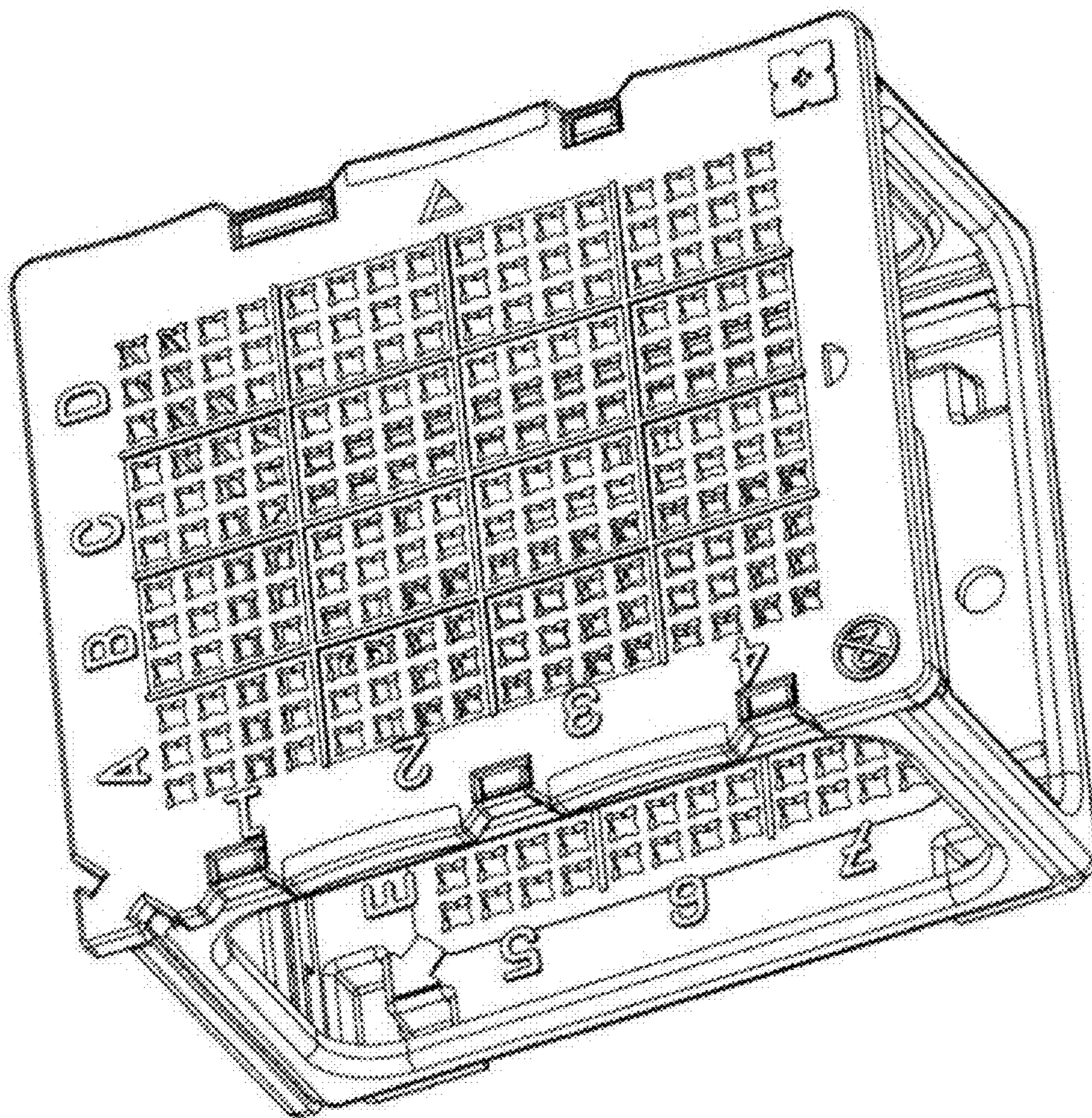
1.2



1.3



1.4



1.5

