



US00D837369S

(12) **United States Design Patent** (10) **Patent No.:** **US D837,369 S**
Lee (45) **Date of Patent:** **** Jan. 1, 2019**

(54) **SECURE CAP FOR A SYRINGE**
 (71) Applicant: **UNITEKO CO., LTD.**, Gwangju-si,
 Gyeonggi-do (KR)
 (72) Inventor: **Hyun-Seung Lee**, Guri-si (KR)
 (73) Assignee: **UNITEKO CO., LTD.**, Gwangju-si,
 Gyeonggi-do (KR)

D594,981 S * 6/2009 Bierman D24/130
 D616,092 S * 5/2010 Domkowski D24/129
 D655,000 S * 2/2012 Mirigian D24/130
 D748,253 S * 1/2016 Ratjen D24/130
 D751,691 S * 3/2016 Shaw D24/112
 D777,324 S * 1/2017 Nguyen D24/127
 D797,927 S * 9/2017 Schuessler D24/129
 D799,032 S * 10/2017 Becker D24/129
 D800,303 S * 10/2017 Ratjen D24/130
 D802,759 S * 11/2017 Guala D24/129

* cited by examiner

(**) Term: **15 Years**
 (21) Appl. No.: **29/588,821**
 (22) Filed: **Dec. 23, 2016**

Primary Examiner — David G Muller
 (74) *Attorney, Agent, or Firm* — Park, Kim & Suh, LLC

(30) **Foreign Application Priority Data**

Oct. 17, 2016 (KR) 30-2016-0049717

(51) **LOC (11) Cl.** **24-02**

(52) **U.S. Cl.**
USPC **D24/130**

(58) **Field of Classification Search**
 USPC D24/127–131, 112–114, 133, 186;
 606/181, 185; 604/264, 523–528, 272,
 604/187, 158, 164.01–164.11, 181, 184,
 604/227; 600/101, 139, 143;
 128/200.24, 207.14, 207.15
 CPC A61M 5/178; A61M 3/00; A61M 5/20;
 A61M 5/31; A61M 5/3146; A61M
 5/3129; A61M 5/3148; A61M 5/315
 See application file for complete search history.

(56) **References Cited**

U.S. PATENT DOCUMENTS

D399,559 S * 10/1998 Molina D24/112
 D506,256 S * 6/2005 Miyoshi D24/108
 D523,956 S * 6/2006 Guala D24/108

(57) **CLAIM**

The ornamental design for a secure cap for a syringe, as shown and described.

DESCRIPTION

FIG. 1 is a top perspective view of a secure cap for a syringe showing my new design;
 FIG. 2 is a front view thereof, a rear view being a mirror image of the front view;
 FIG. 3 is a left side view thereof, a right side view being a mirror image of the left side view;
 FIG. 4 is a top plan view thereof;
 FIG. 5 is a bottom plan view thereof;
 FIG. 6 is a bottom perspective view thereof;
 FIG. 7 is a perspective view showing the secure cap in an environment of use with a syringe where the syringe is not inserted into the secure cap; and,
 FIG. 8 is a perspective view showing that the secure cap in an environment of use with a syringe where the syringe is inserted into the secure cap.
 The broken lines shown in the figures illustrate environmental structures and form no part of the claimed design.

1 Claim, 8 Drawing Sheets

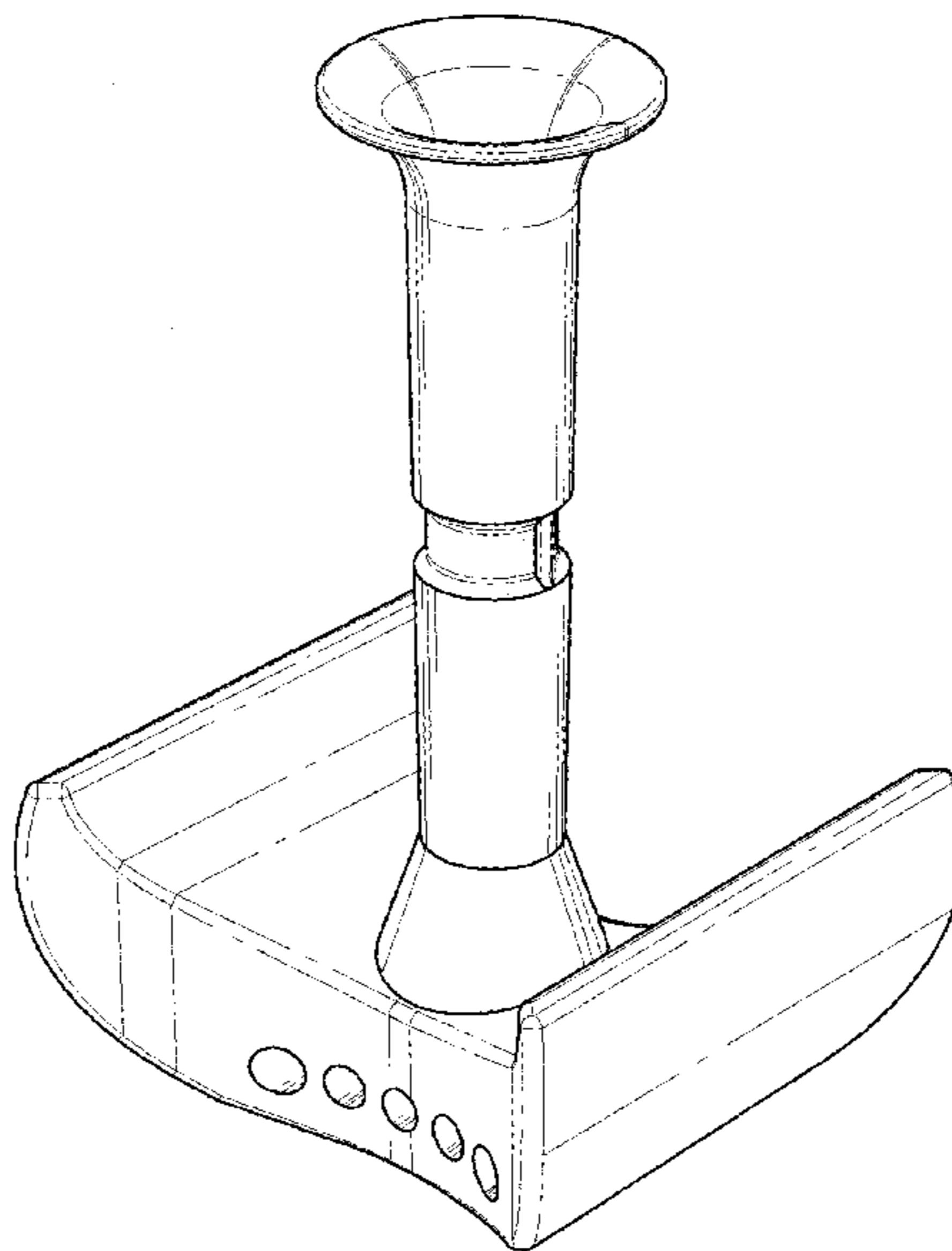


FIG. 1

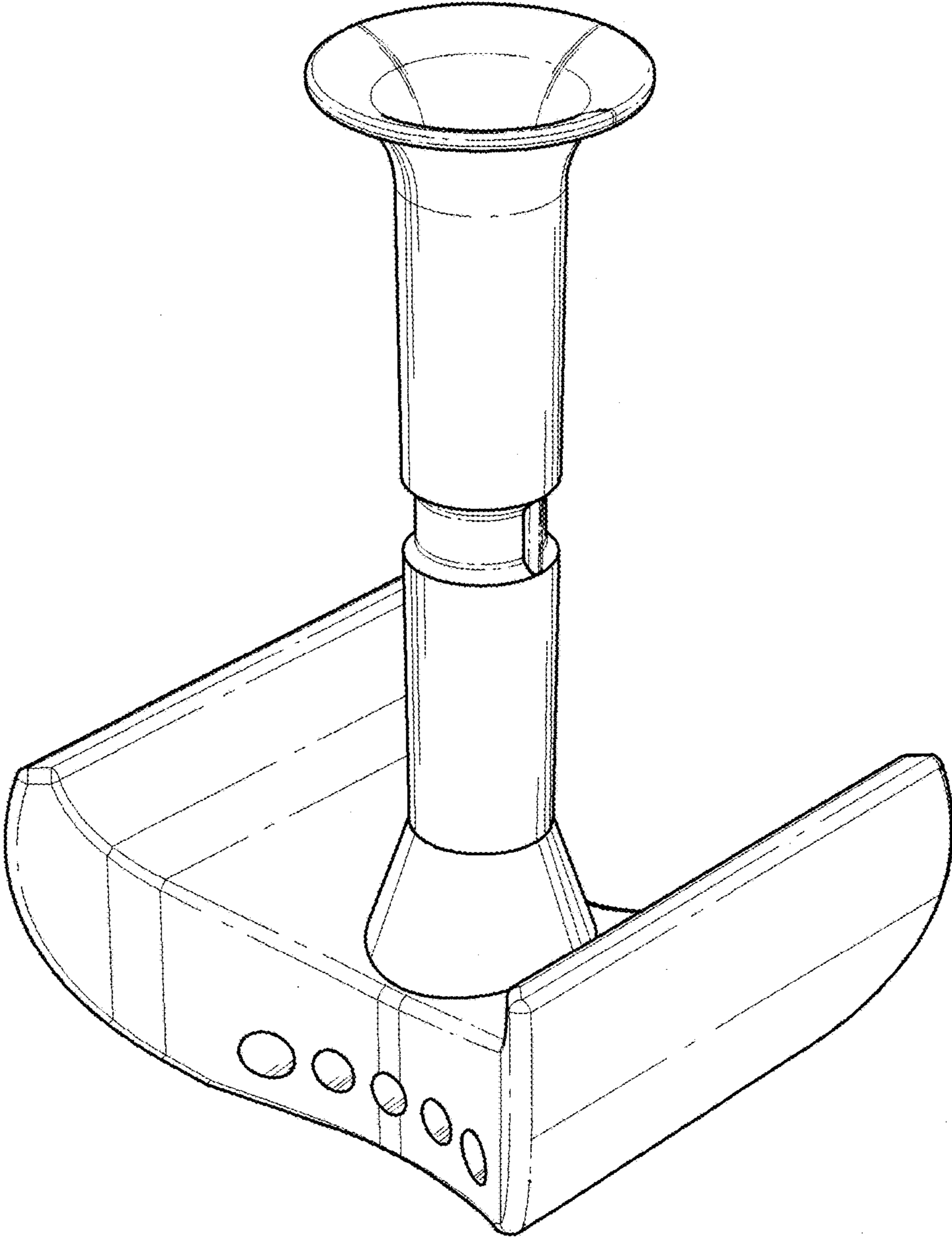


FIG. 2

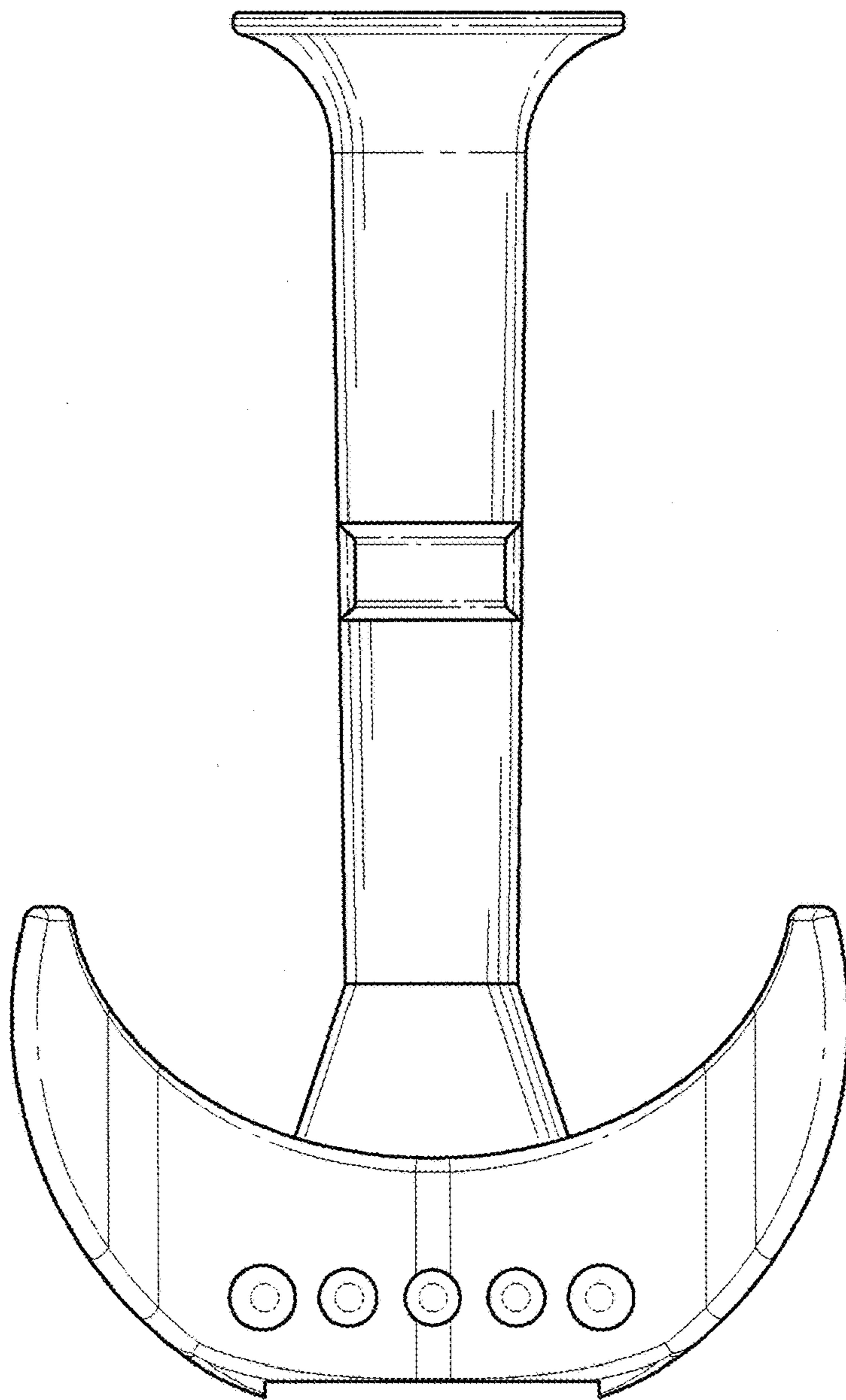


FIG. 3

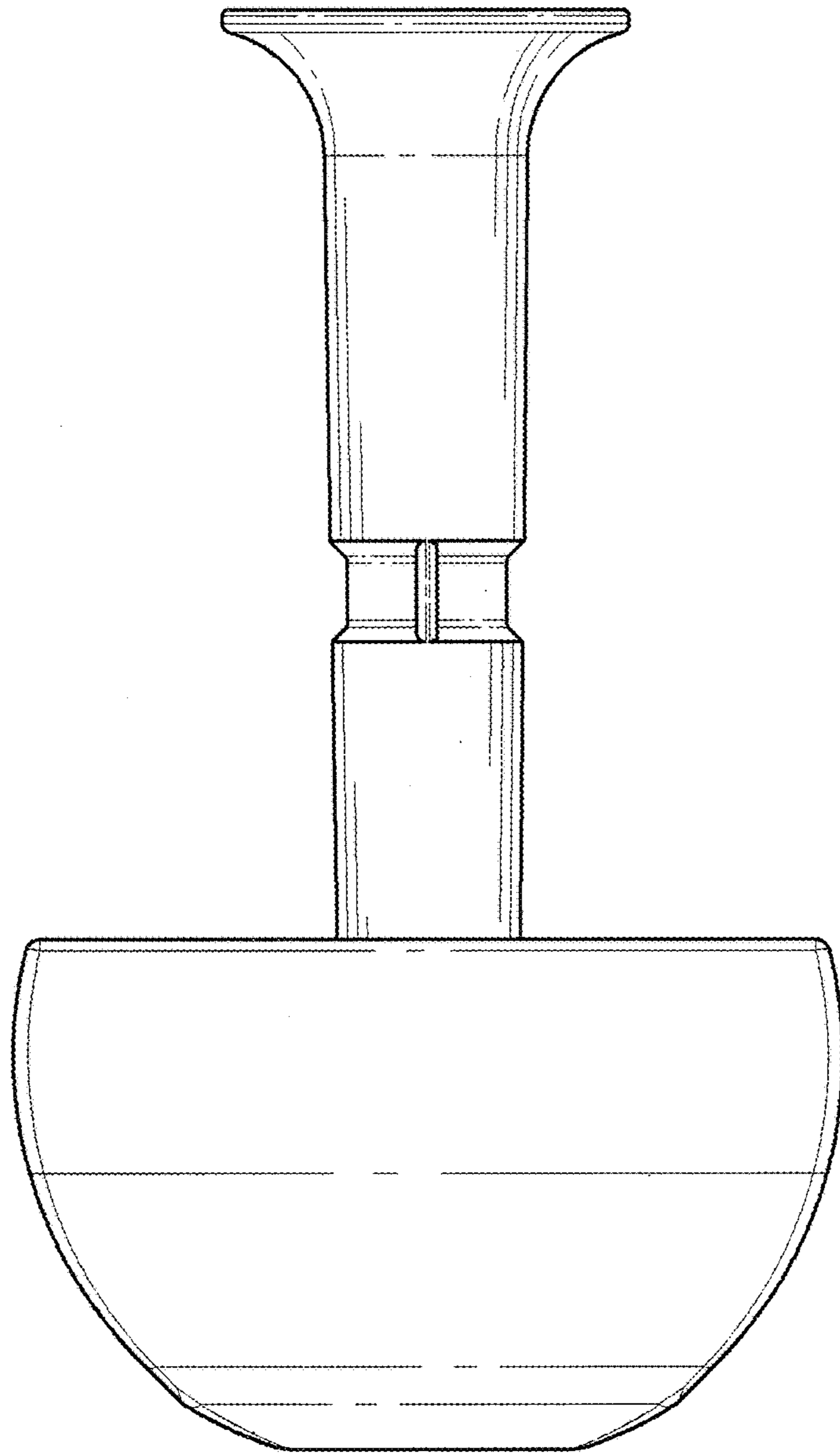


FIG. 4

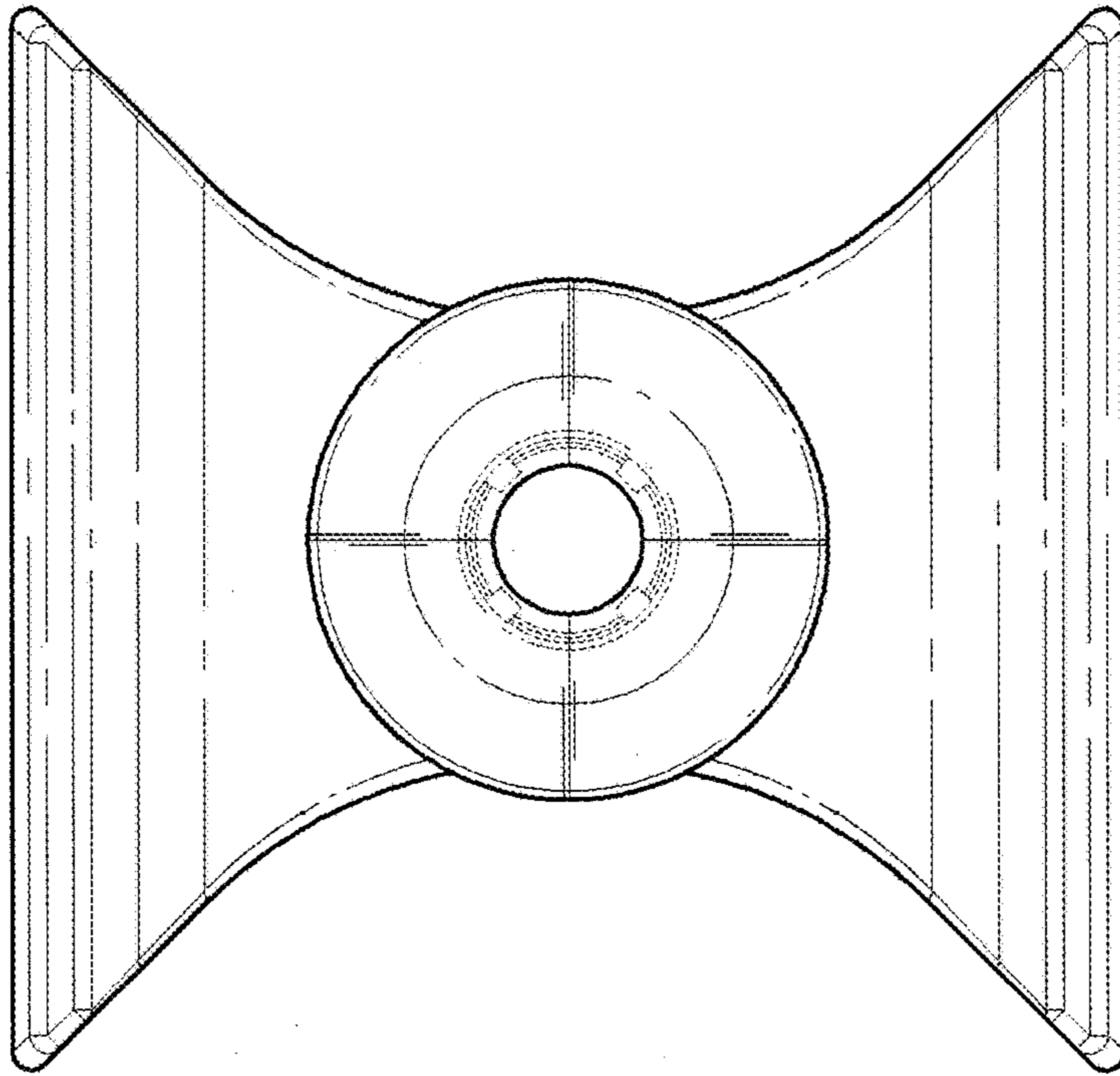


FIG. 5

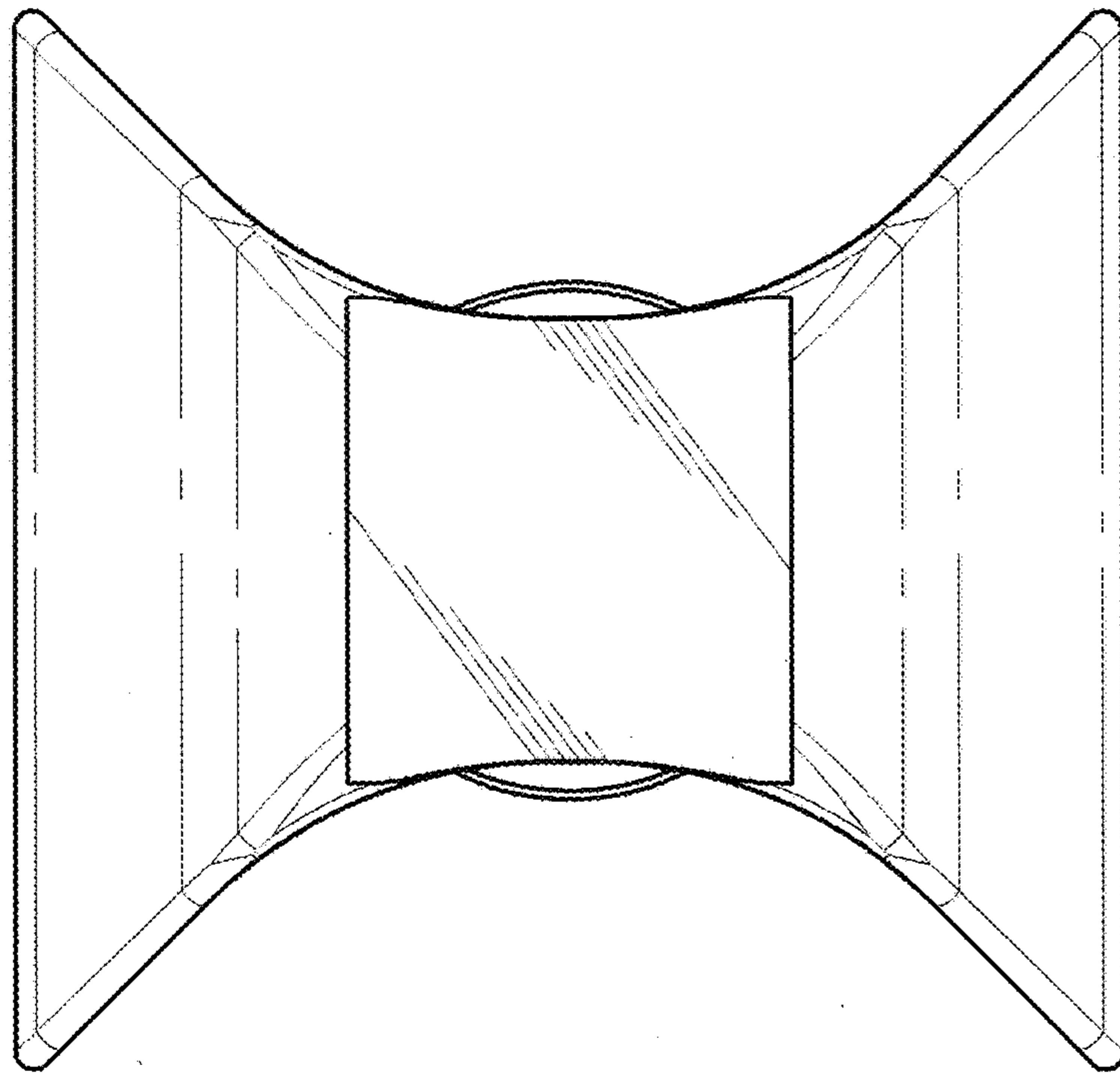


FIG. 6

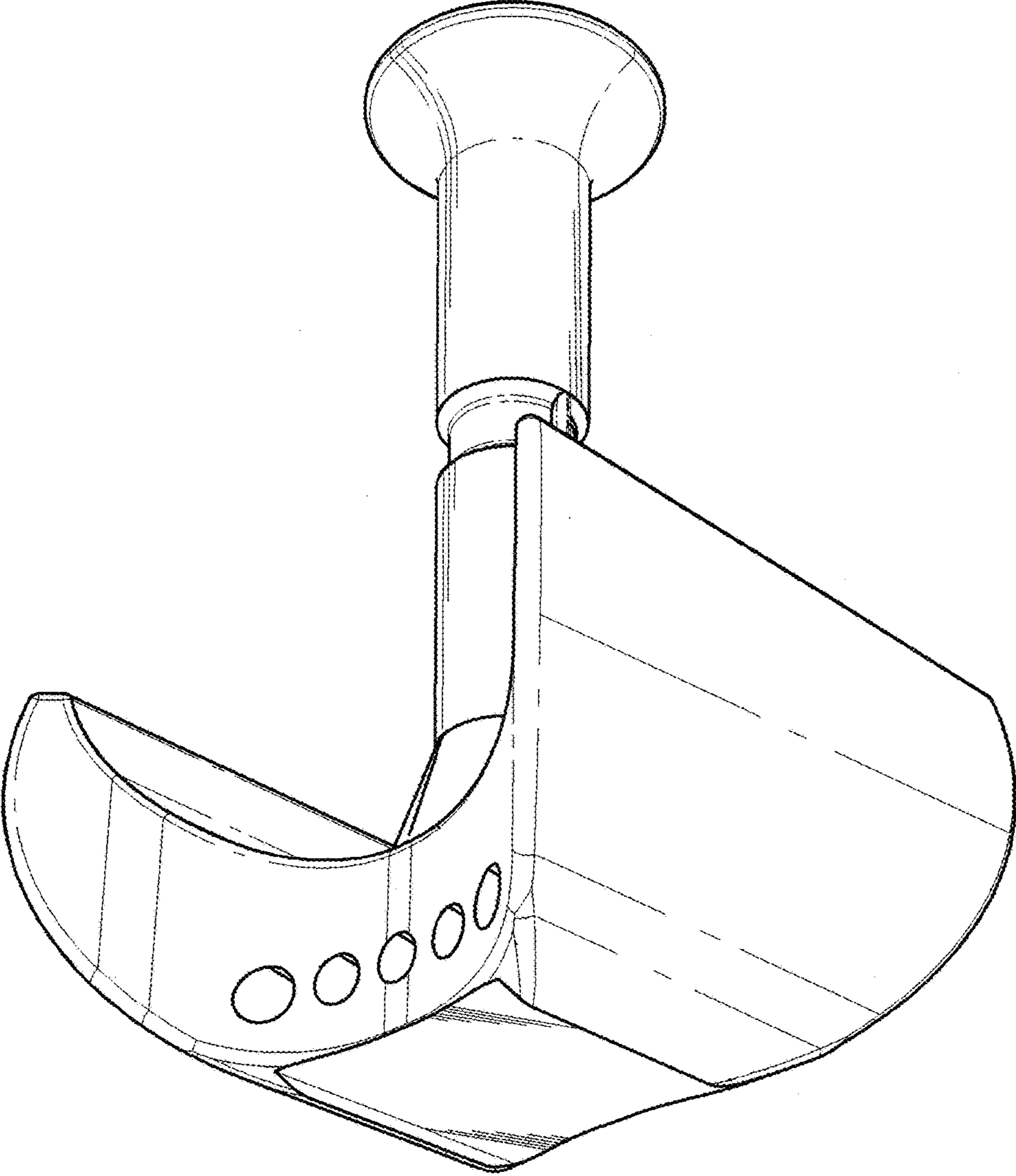


FIG. 7

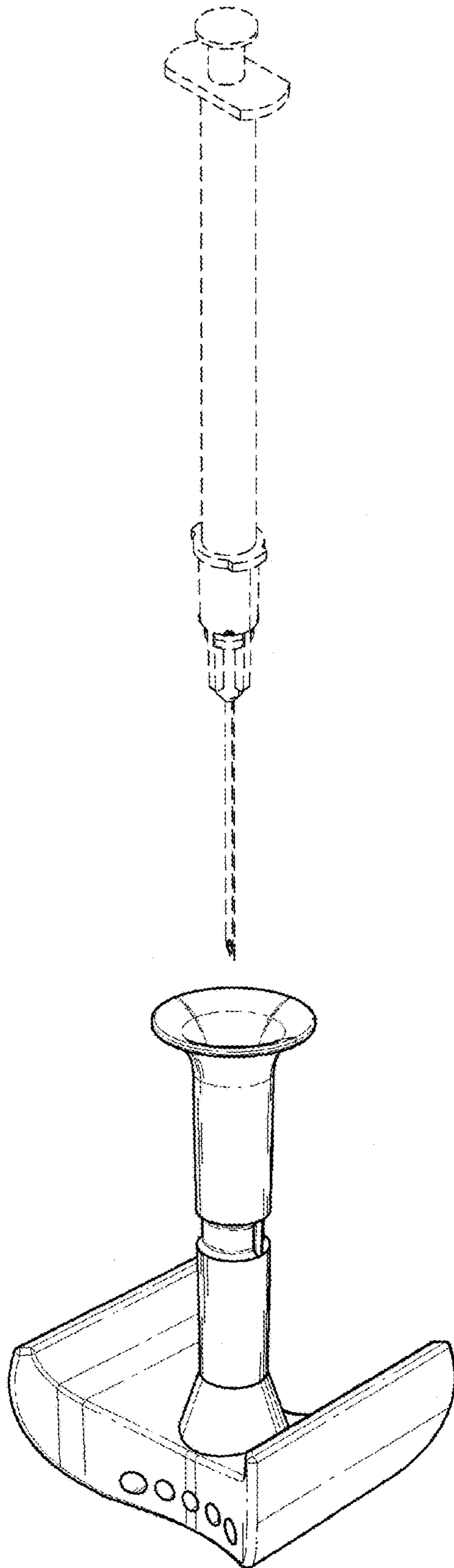


FIG. 8

