



US00D837367S

(12) **United States Design Patent**
Reaux

(10) **Patent No.:** **US D837,367 S**
(45) **Date of Patent:** **** Jan. 1, 2019**

(54) **MEDICAL INSTRUMENT HOLDER HAVING AN ATTACHMENT MEMBER**

(71) Applicant: **Brian K. Reaux**, Red Oak, TX (US)

(72) Inventor: **Brian K. Reaux**, Red Oak, TX (US)

(73) Assignee: **Brian K. Reaux**, Red Oak, TX (US)

(**) Term: **15 Years**

(21) Appl. No.: **29/620,352**

(22) Filed: **Oct. 25, 2016**

(51) **LOC (11) Cl.** **24-01**

(52) **U.S. Cl.**
USPC **D24/128**

(58) **Field of Classification Search**
USPC D24/184, 185, 186, 107-108, 127-128,
D24/216, 225-227, 229, 230, 231;
D8/349, 373, 380, 381, 367, 371;
D6/320, 323, 325, 513, 514, 553
CPC A61B 17/06161; A61B 17/3217; A61B
2050/3008; A61B 50/20; A61B 50/22;
A61B 50/28; A61B 50/36
See application file for complete search history.

(56) **References Cited**

U.S. PATENT DOCUMENTS

D247,216 S * 2/1978 Mathews D8/356
D269,121 S * 5/1983 Pollard D24/128
D373,823 S * 9/1996 Baldwin D24/128
D393,795 S * 4/1998 Bernstein D8/373
D424,692 S * 5/2000 Monaghan D24/128

6,077,074 A * 6/2000 Homra A61M 1/0039
433/77
D437,640 S * 2/2001 Breda D24/128
6,827,212 B2 12/2004 Reaux
D521,853 S * 5/2006 Bertagnole D8/373
D702,832 S * 4/2014 Hadley D24/128
D769,107 S * 10/2016 McLaren Hall D8/373
D815,736 S * 4/2018 Reaux D24/128
2003/0196922 A1 * 10/2003 Reaux A61B 17/06161
206/370
2009/0266728 A1 * 10/2009 Turner A61B 17/865
206/363

* cited by examiner

Primary Examiner — Anhdao Doan

Assistant Examiner — Mary Shannon Malley

(57) **CLAIM**

The ornamental design for a medical instrument holder with an attachment member, as shown and described.

DESCRIPTION

FIG. 1 is a right rear perspective view of the medical instrument holder with an attachment member.

FIG. 2 is a front view thereof;

FIG. 3 is a back view thereof;

FIG. 4 is a left side view thereof;

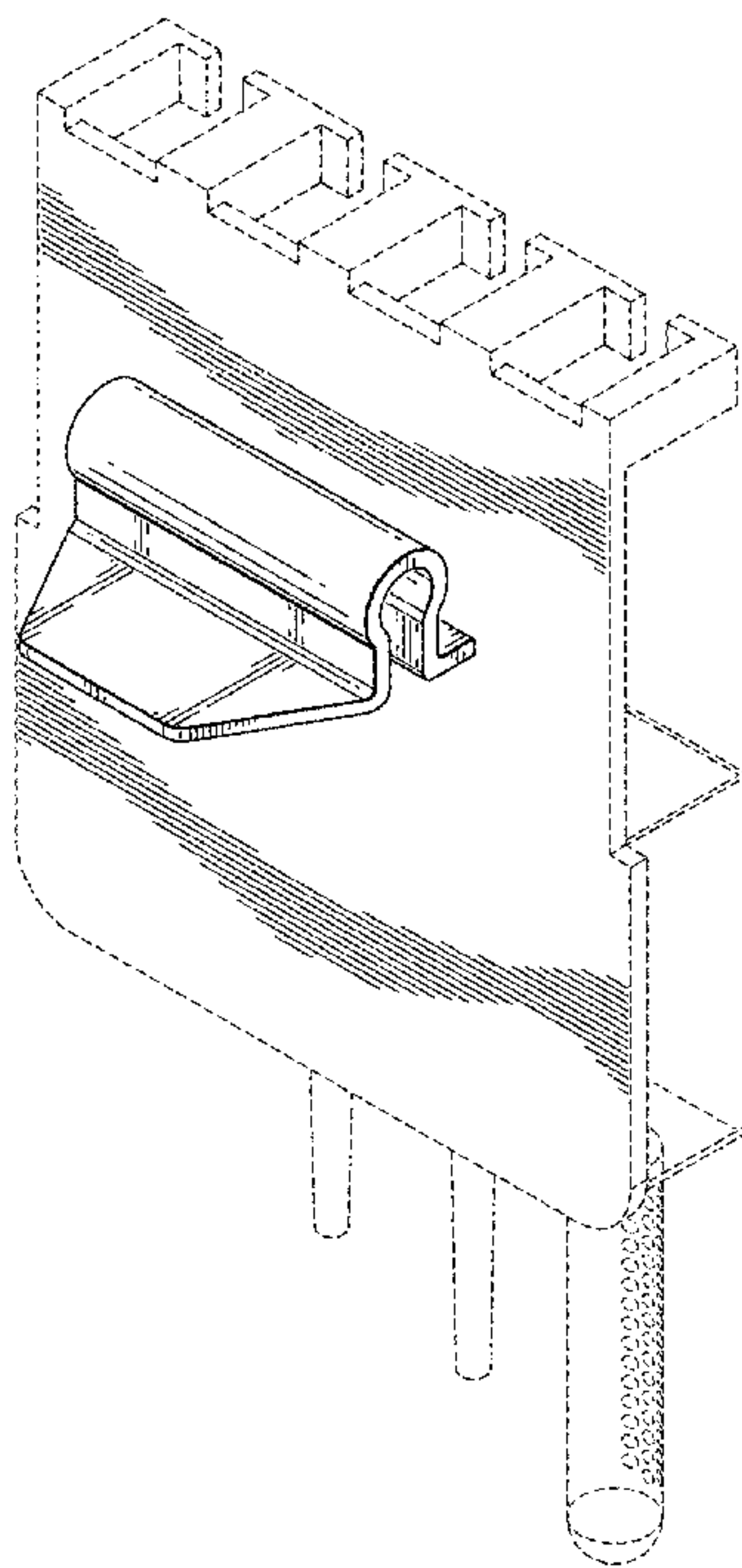
FIG. 5 is a right side view thereof;

FIG. 6 is a top view thereof; and,

FIG. 7 is a bottom view thereof.

The broken lines show portions of the medical instrument holder with an attachment member that form no part of the claimed design.

1 Claim, 5 Drawing Sheets



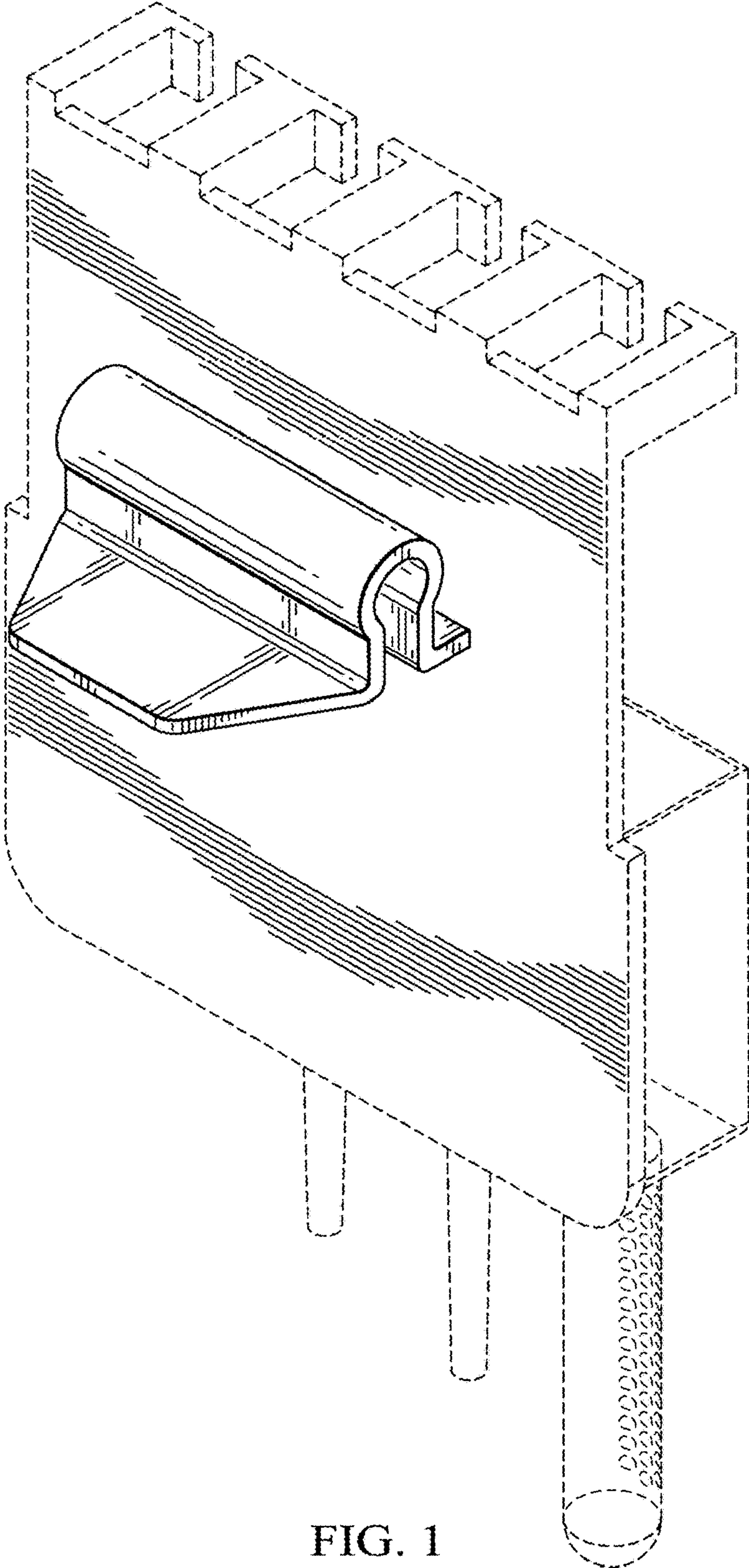


FIG. 1

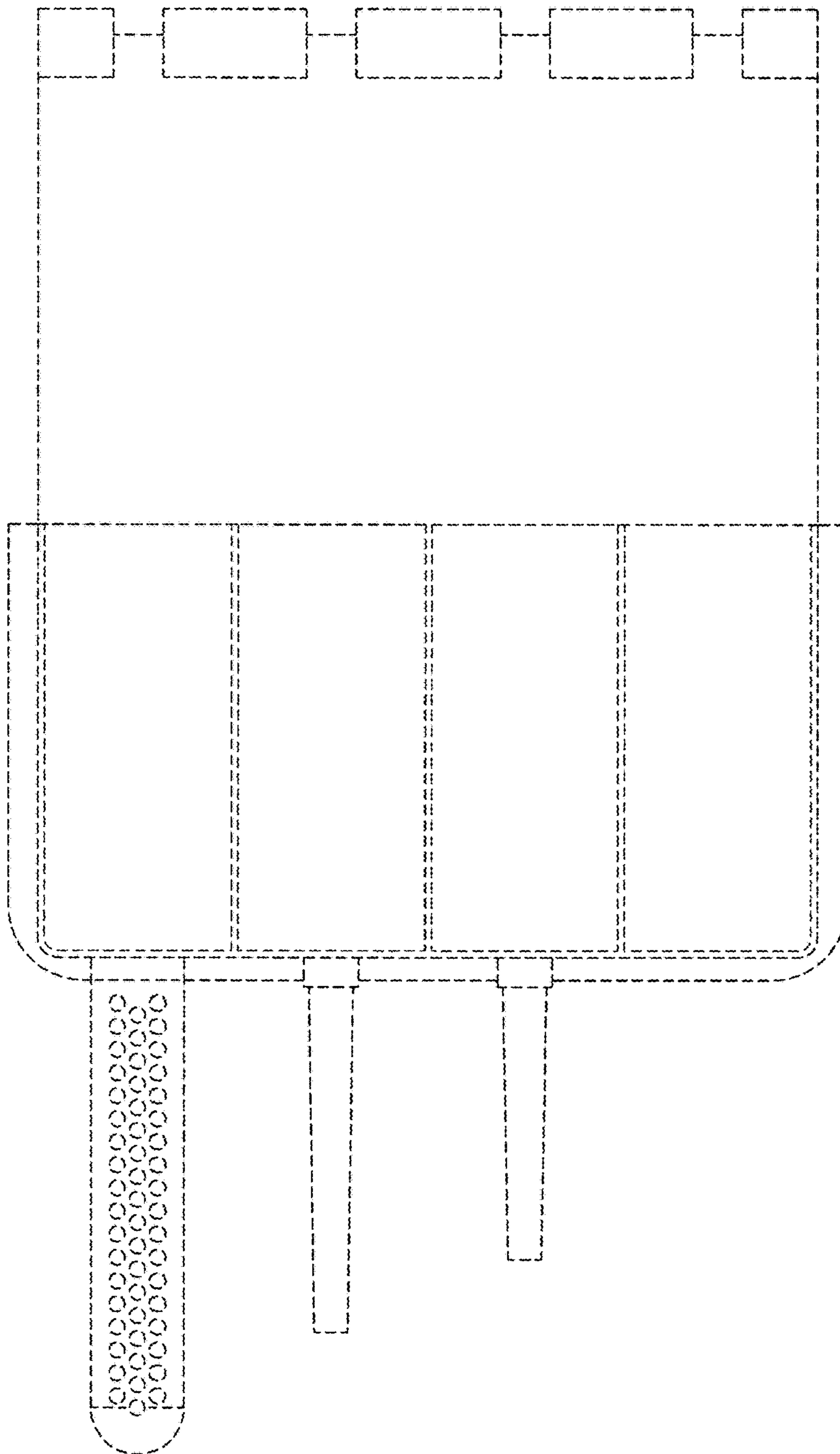


FIG. 2

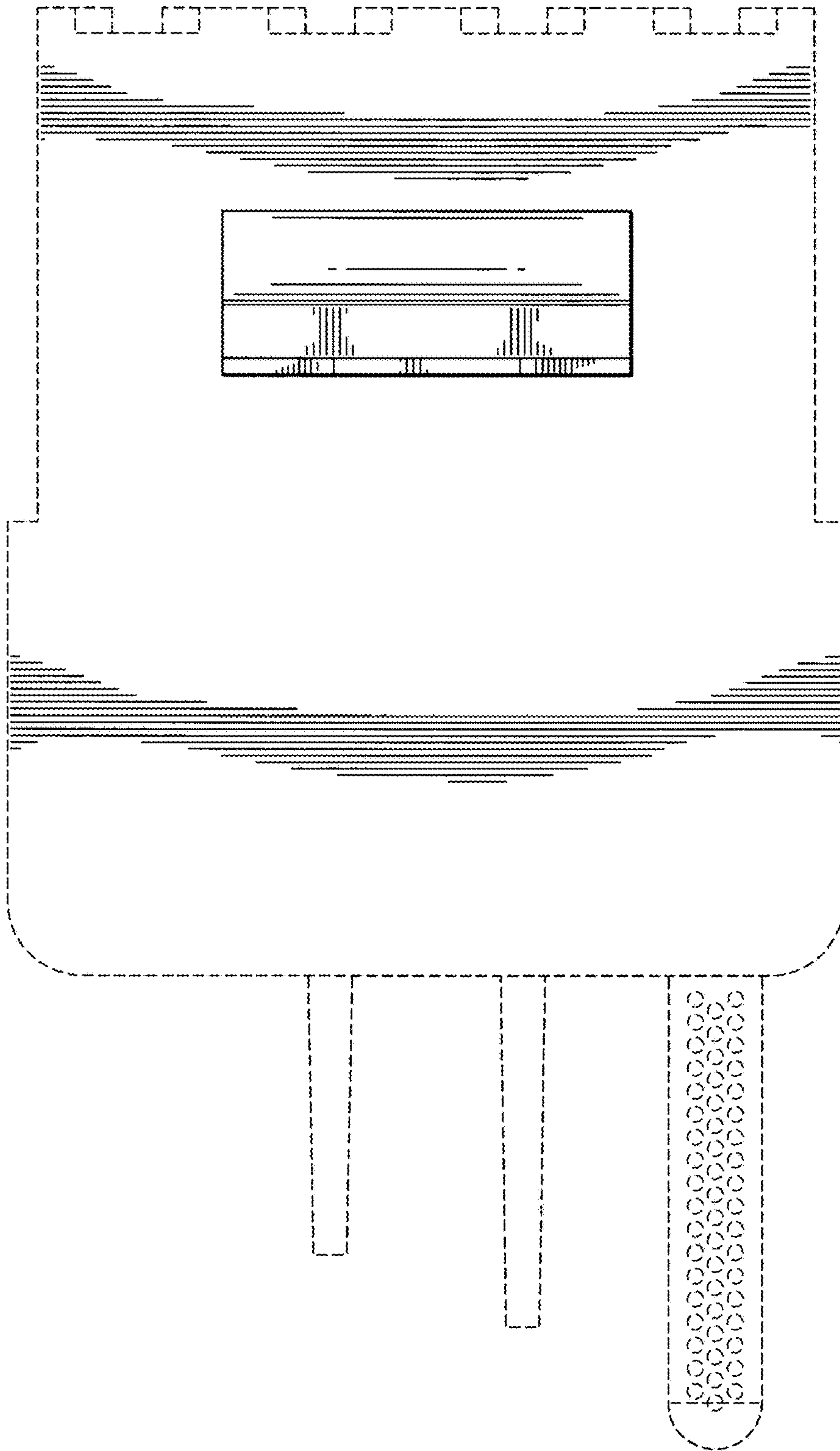


FIG. 3

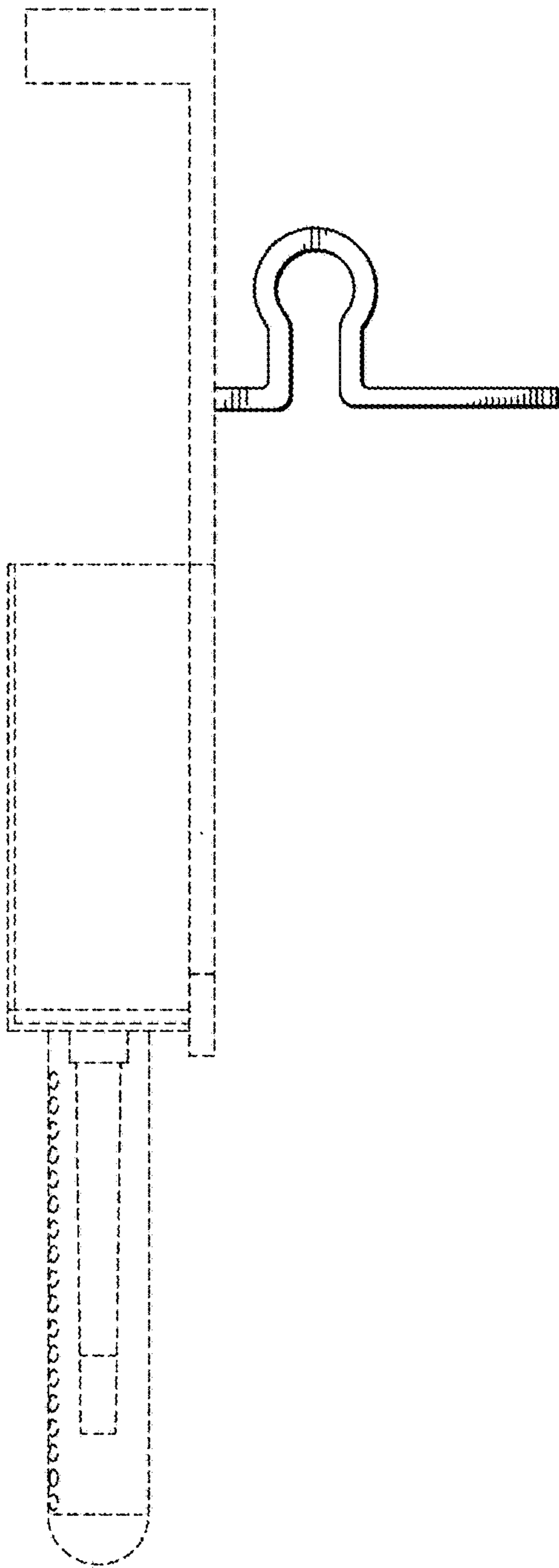


FIG. 4

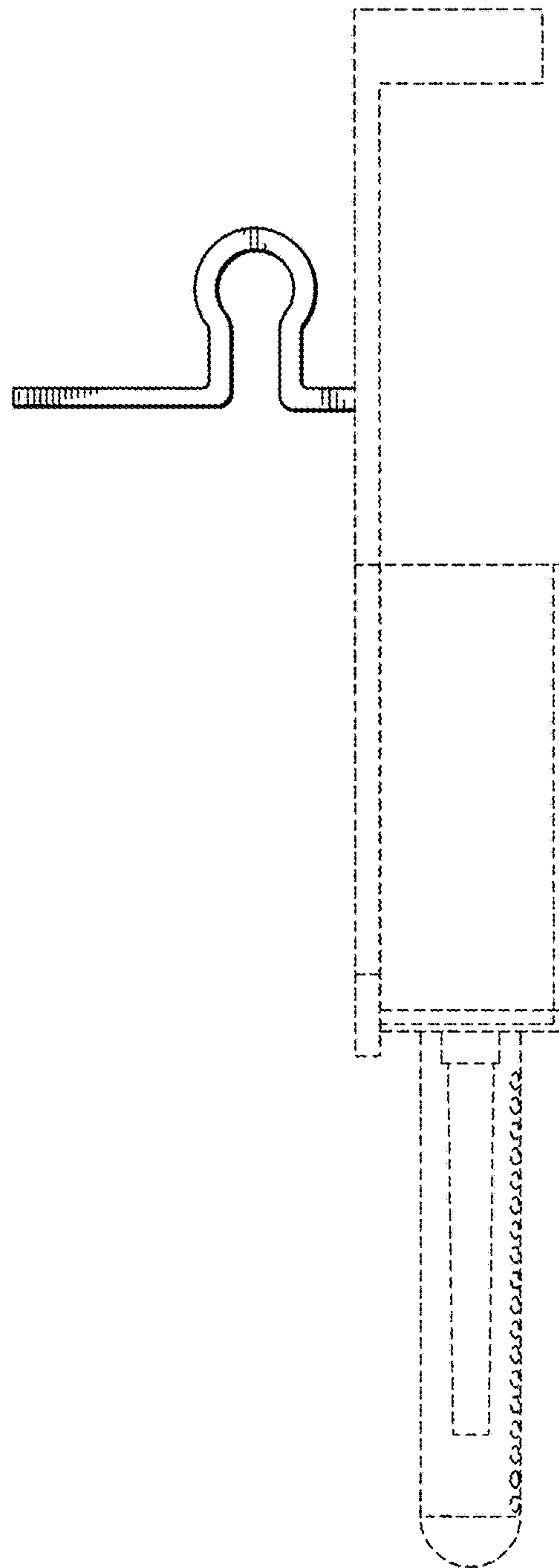


FIG. 5

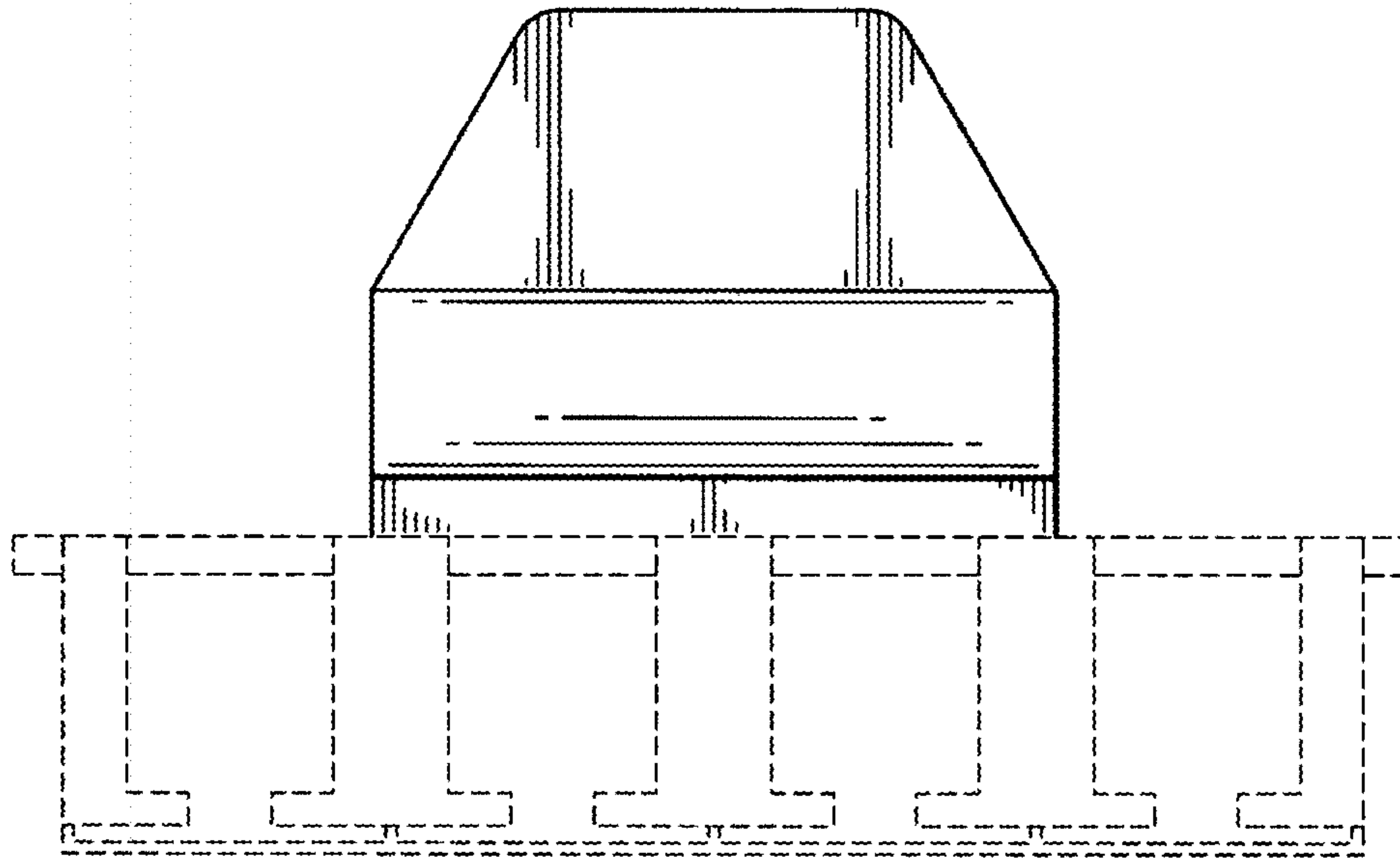


FIG. 6

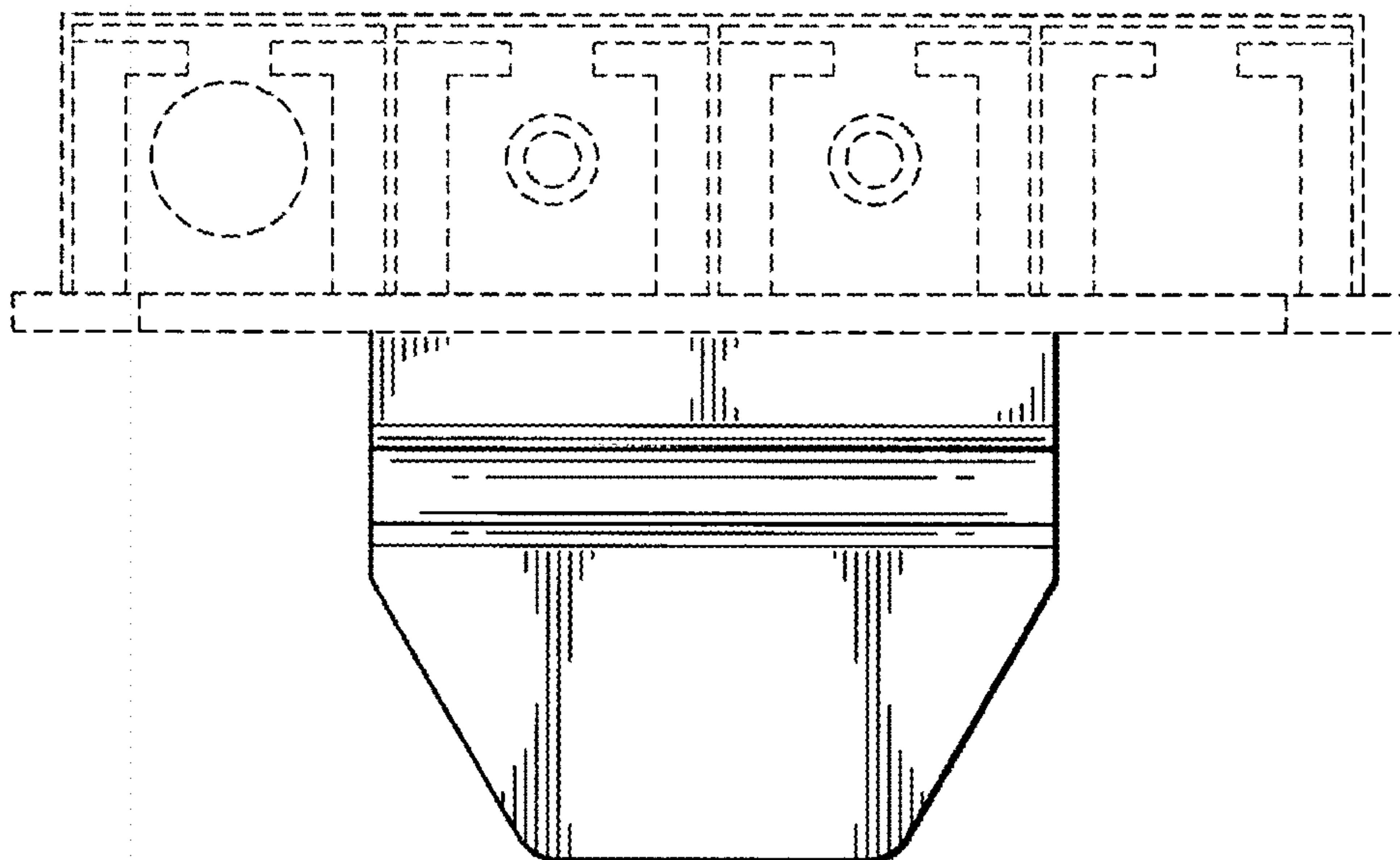


FIG. 7