



US00D837366S

(12) **United States Design Patent**
Yeom

(10) **Patent No.:** **US D837,366 S**

(45) **Date of Patent:** **** Jan. 1, 2019**

(54) **AUTOMATIC SYRINGE**

(71) Applicant: **MEDIHUB. CO., LTD**, Gyeonggi-Do (KR)

(72) Inventor: **Hyeon-chul Yeom**, Gunpo-si (KR)

(**) Term: **15 Years**

(21) Appl. No.: **35/504,016**

(22) Filed: **May 19, 2017**

(80) **Hague Agreement Data**

Int. Filing Date: **May 19, 2017**

Int. Reg. No.: **DM/096721**

Int. Reg. Date: **May 19, 2017**

Int. Reg. Pub. Date: **Nov. 24, 2017**

(51) **LOC (11) Cl.** **24-02**

(52) **U.S. Cl.**
USPC **D24/113**

(58) **Field of Classification Search**
USPC D24/112-115, 130
CPC .. A61K 2300/00; A61K 45/06; A61K 9/0014;
A61L 31/16
See application file for complete search history.

(56) **References Cited**

U.S. PATENT DOCUMENTS

D363,777 S * 10/1995 Rees D24/113
D466,209 S * 11/2002 Bon D24/108

D545,427 S * 6/2007 Gibson D24/113
D545,428 S * 6/2007 Stammberger D24/113
D576,273 S * 9/2008 McClintok D24/113
D593,677 S * 6/2009 Mudd D24/113
D603,501 S * 11/2009 Mudd D24/113
D759,245 S * 6/2016 Leugers D24/146
D784,537 S * 4/2017 Houssiere D24/146

* cited by examiner

Primary Examiner — Michael A. Pratt

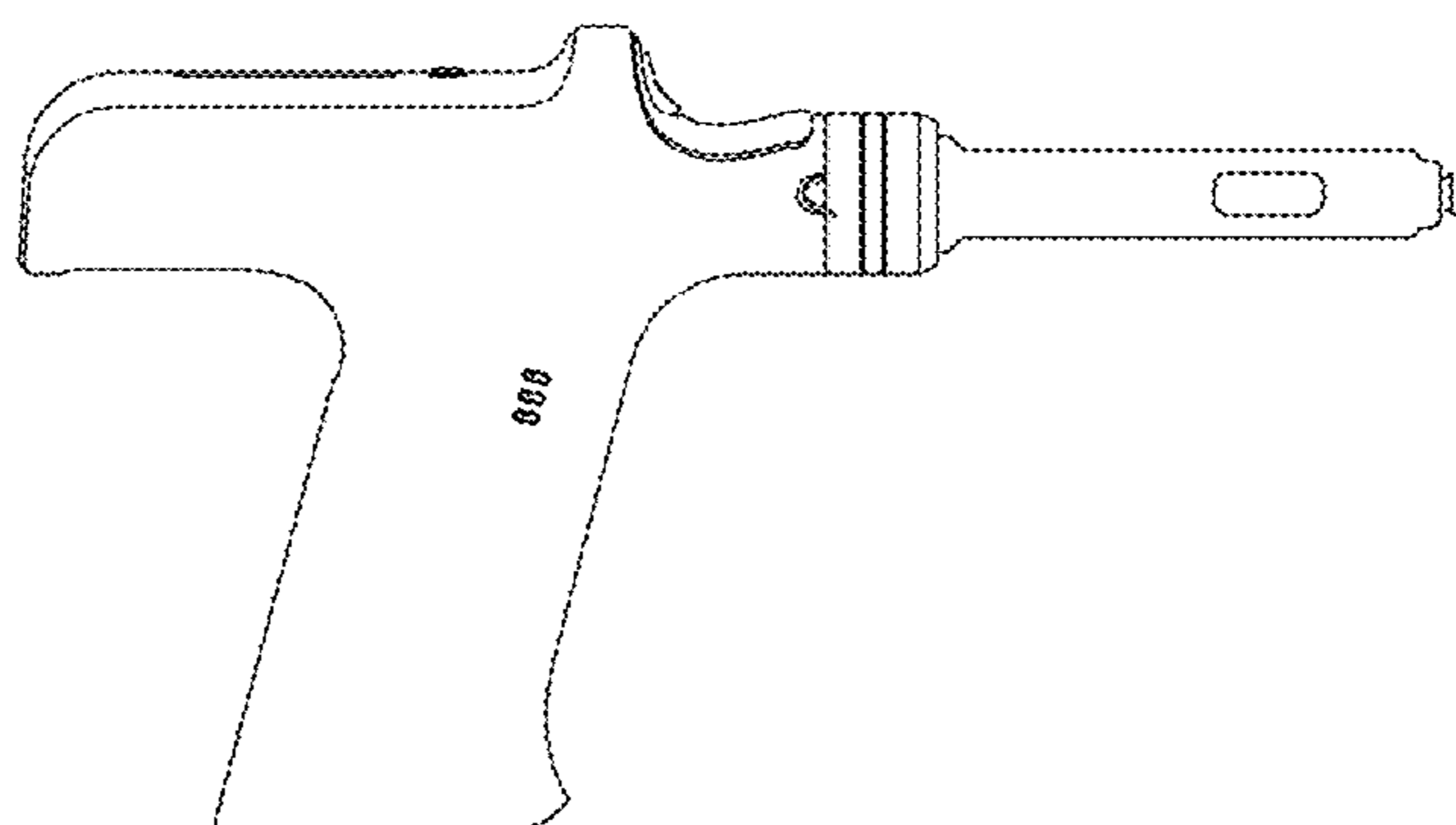
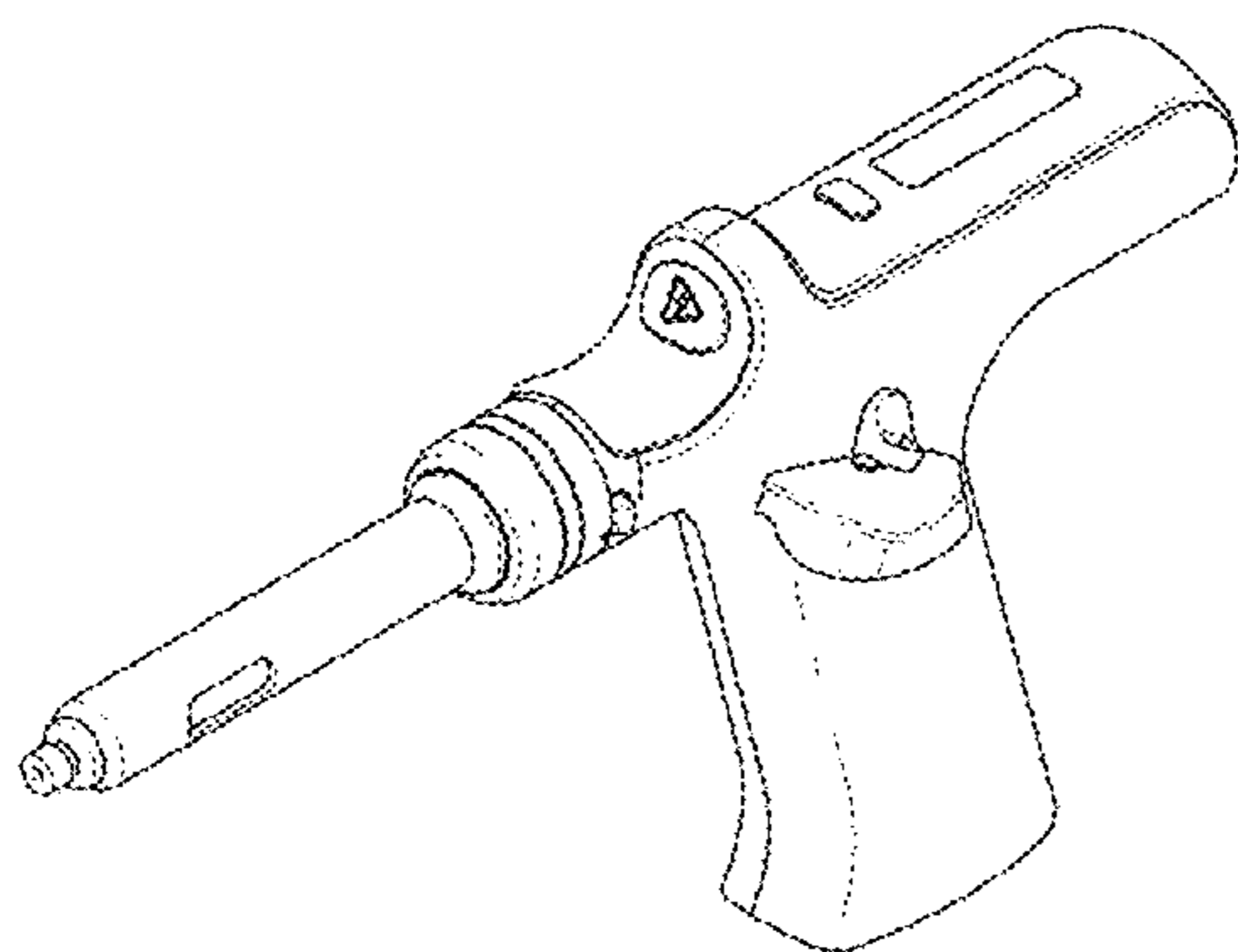
(57) **CLAIM**

The ornamental design for an automatic syringe, as shown and described.

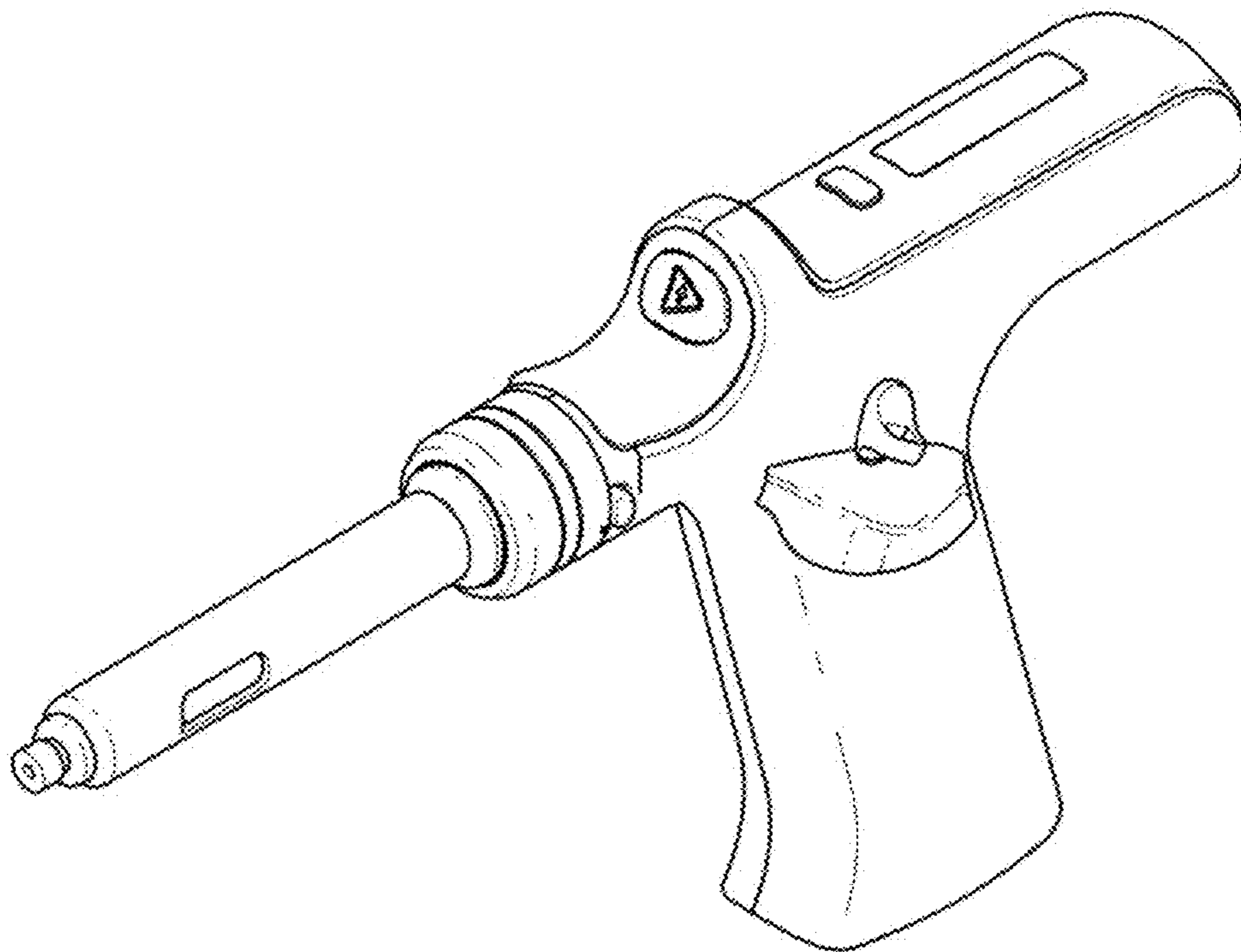
DESCRIPTION

- 1. Automatic syringe
- 1.1 : Perspective
- 1.2 : Front
- 1.3 : Back
- 1.4 : Left
- 1.5 : Right
- 1.6 : Top
- 1.7 : Bottom

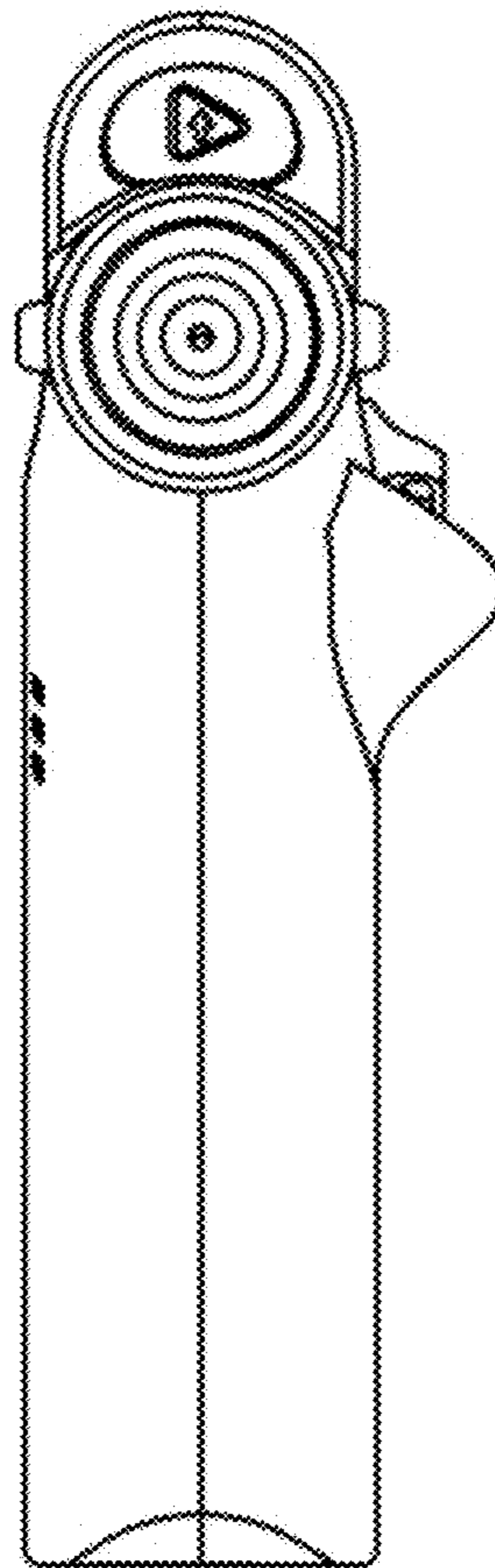
1 Claim, 7 Drawing Sheets



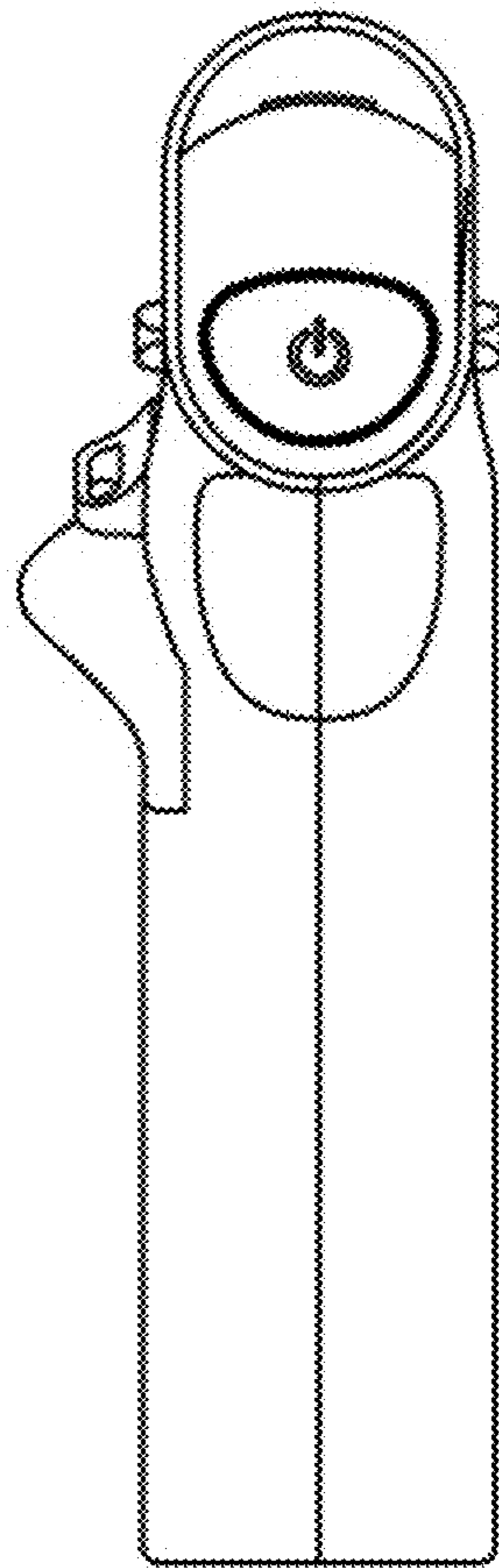
1.1



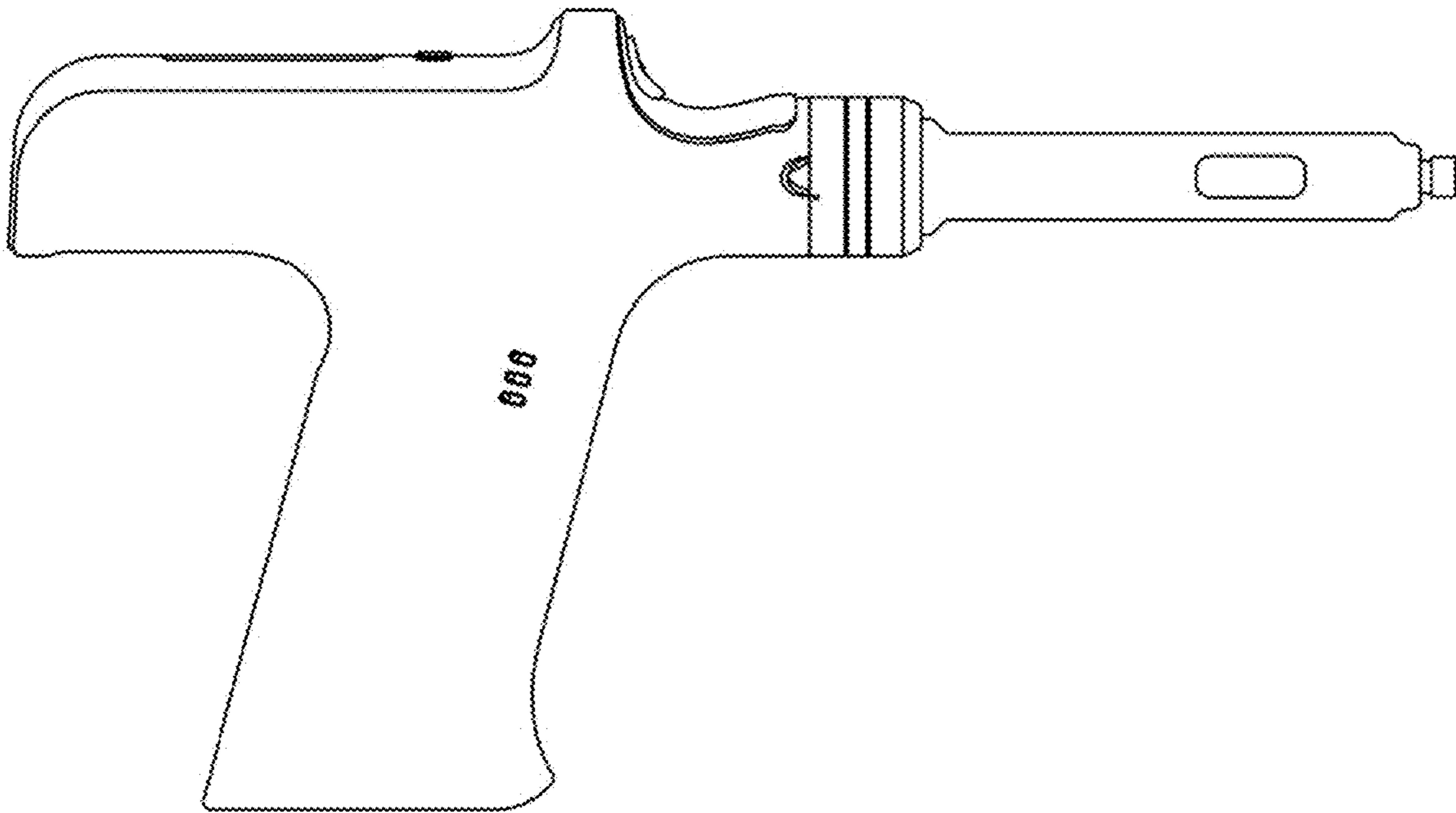
1.2



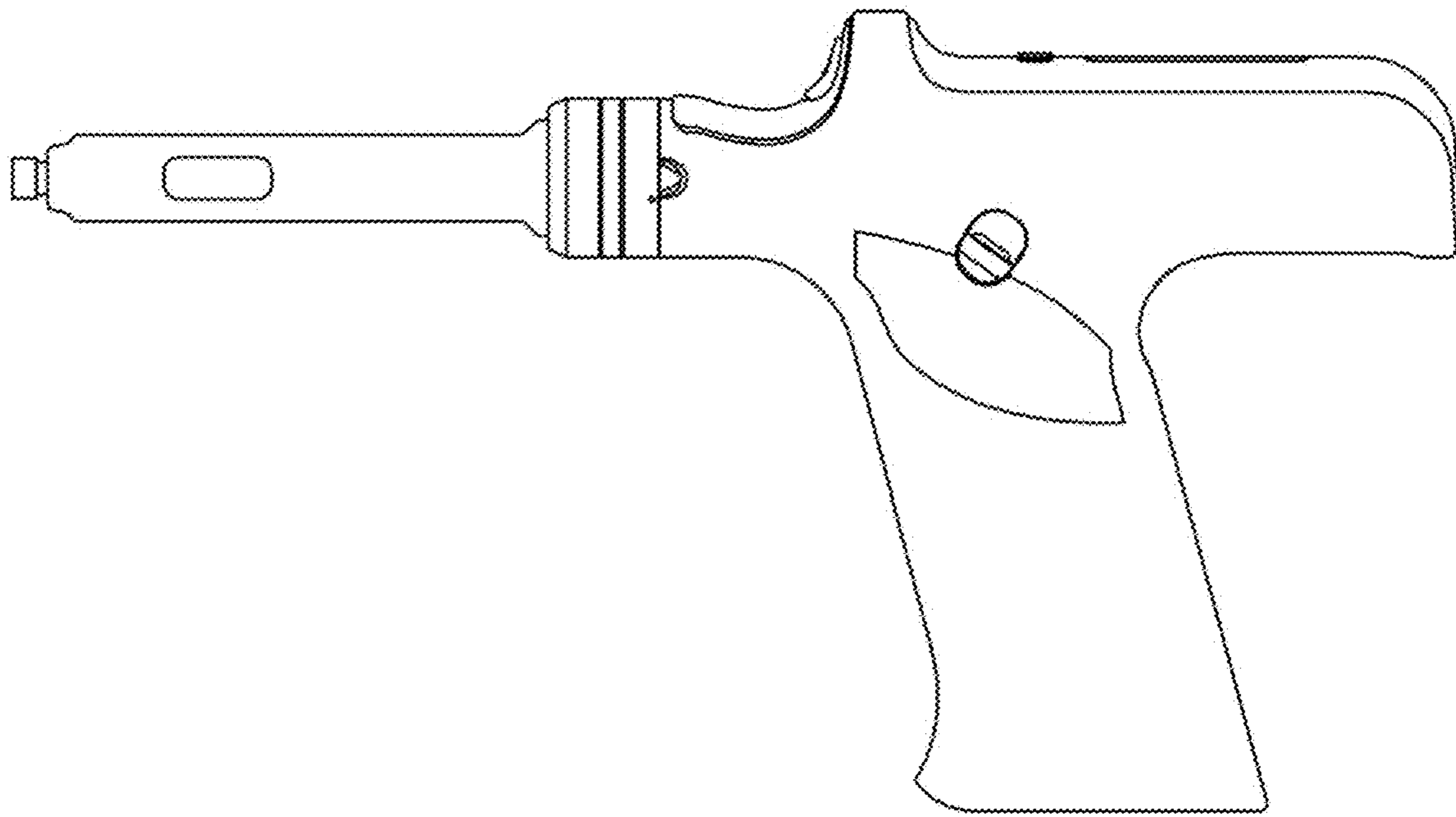
1.3



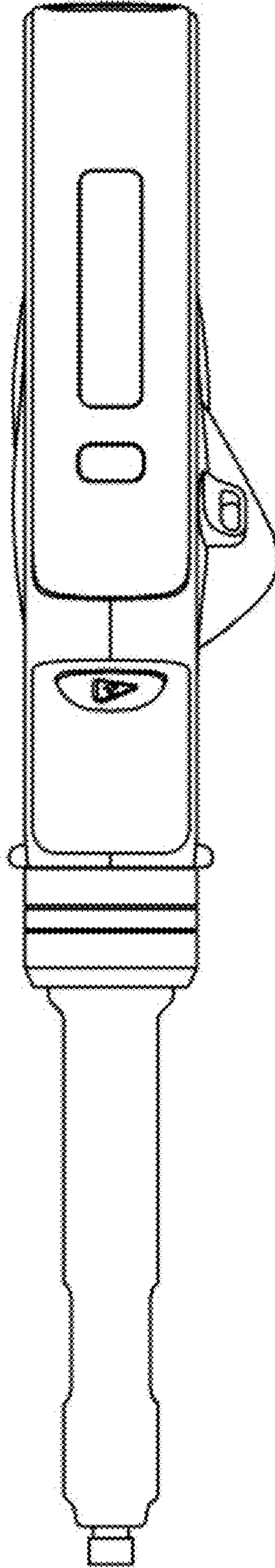
1.4



1.5



1.6



1.7

