



US00D837365S

(12) **United States Design Patent** (10) **Patent No.:** **US D837,365 S**
Li et al. (45) **Date of Patent:** **** Jan. 1, 2019**

(54) **HANDHELD SECRETION CLEARANCE DEVICE**

(56) **References Cited**

U.S. PATENT DOCUMENTS

(71) Applicant: **KONINKLIJKE PHILIPS N.V.**,
Eindhoven (NL)
(72) Inventors: **Yutian Li**, Pittsburgh, PA (US);
Edouard Robert Marcus Gebski, Lille
(FR); **Joshua Stough**, Pittsburgh, PA
(US)
(73) Assignee: **KONINKLIJKE PHILIPS N.V.**,
Eindhoven (NL)

| | | | | |
|--------------|---------|-------------|-------|-----------|
| D311,443 S * | 10/1990 | Long | | D24/110 |
| D348,929 S * | 7/1994 | Paton | | D24/110 |
| D395,147 S * | 6/1998 | Vidgren | | D24/110 |
| D433,502 S * | 11/2000 | Rand | | D24/110 |
| D455,208 S * | 4/2002 | Bacon | | D24/110 |
| D461,239 S * | 8/2002 | Cassidy | | D24/110 |
| D509,898 S * | 9/2005 | Bunce | | D24/110 |
| D515,203 S * | 2/2006 | Huxham | | D24/110 |
| D529,605 S * | 10/2006 | Huxham | | D24/110 |
| D571,001 S * | 6/2008 | Warby | | D24/110 |
| D582,543 S * | 12/2008 | Lucking | | D24/110 |
| D582,544 S * | 12/2008 | Meziere | | D24/110 |
| D598,536 S * | 8/2009 | Parkes | | D24/110 |
| D629,504 S * | 12/2010 | Zuyderhoudt | | D24/110 |
| D629,507 S * | 12/2010 | Zuyderhoudt | | D24/110.5 |
| D629,508 S * | 12/2010 | Zuyderhoudt | | D24/110.5 |
| D629,889 S * | 12/2010 | Zuyderhoudt | | D24/110.5 |
| D660,410 S * | 5/2012 | Zuyderhoudt | | D24/110 |
| D660,411 S * | 5/2012 | Zuyderhoudt | | D24/110 |
| D681,804 S * | 5/2013 | Sheehy | | D24/110 |
| D716,936 S * | 11/2014 | Jensen | | D24/110 |

(**) Term: **15 Years**
(21) Appl. No.: **35/503,012**
(22) Filed: **Nov. 15, 2016**

(80) **Hague Agreement Data**
Int. Filing Date: **Nov. 15, 2016**
Int. Reg. No.: **DM/093600**
Int. Reg. Date: **Nov. 15, 2016**
Int. Reg. Pub. Date: **May 19, 2017**

(30) **Foreign Application Priority Data**
Jun. 16, 2016 (EP) 003225085-0001
(51) **LOC (11) Cl.** **29-02**
(52) **U.S. Cl.**
USPC **D24/110**
(58) **Field of Classification Search**
USPC D24/107, 108, 110, 110.5, 127, 164
CPC A61M 11/00; A61M 11/02; A61M 11/04;
A61M 15/0001; A61M 15/00; A61M
15/0065; A61M 15/0068; A61M 15/0071;
A61M 15/0091; A61M 15/0026
See application file for complete search history.

(Continued)

Primary Examiner — Darlington Ly

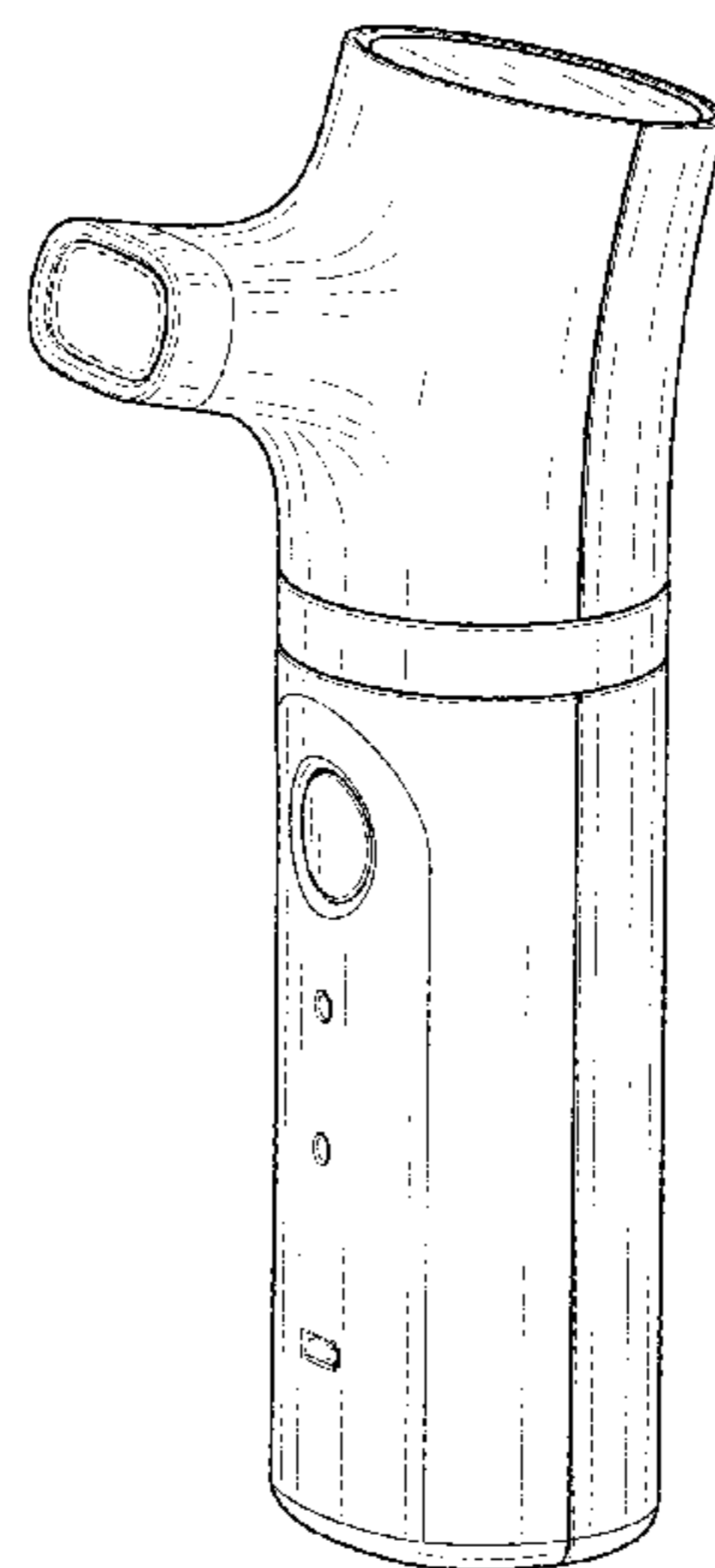
(57) **CLAIM**

The ornamental design for a handheld secretion clearance device, as shown and described.

DESCRIPTION

1. Handheld secretion clearance device
1.1 is a perspective view showing the handheld secretion clearance device of our design;
1.2 is a front elevational view thereof;
1.3 is a rear elevational view thereof;
1.4 is a left side elevational view thereof;
1.5 is a right side elevational view thereof;
1.6 is a top plan view thereof; and
1.7 is a bottom plan view thereof.
The broken lines in the reproductions illustrate portions of the handheld secretion clearance device that form no part of the claimed design.

1 Claim, 4 Drawing Sheets



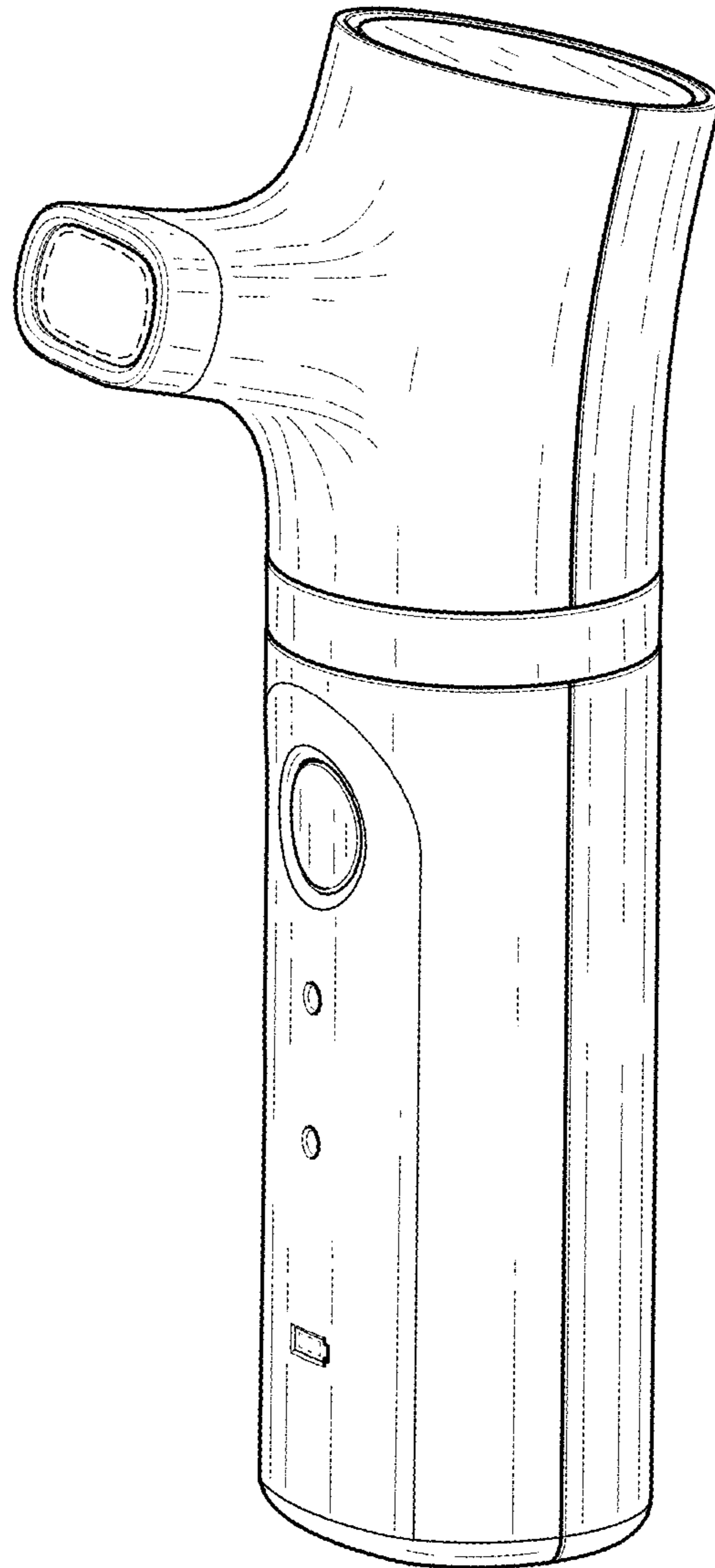
(56)

References Cited

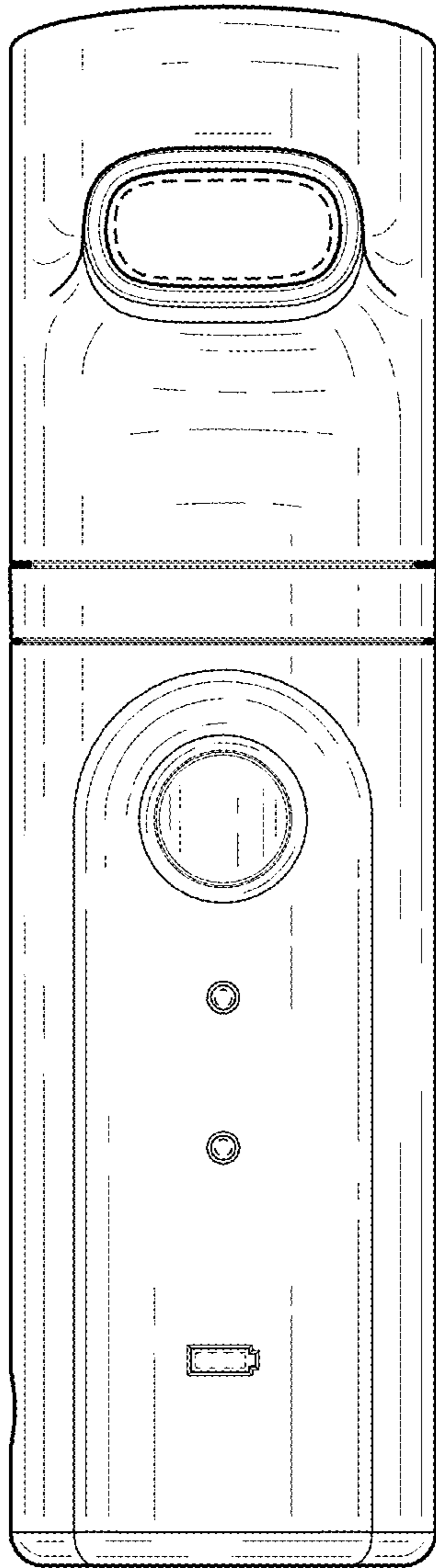
U.S. PATENT DOCUMENTS

D783,807 S * 4/2017 Fosbury D24/110
D808,515 S * 1/2018 Atkin D24/110
2001/0032644 A1* 10/2001 Hodson A61M 15/009
128/200.23
2002/0073996 A1* 6/2002 O'Leary 128/203.15
2007/0056580 A1* 3/2007 Jones A61M 15/009
128/200.23
2007/0095342 A1* 5/2007 Olfati A61M 15/009
128/200.23
2008/0105253 A1* 5/2008 Pearson A61M 15/009
128/200.14
2008/0314383 A1* 12/2008 Barney A61M 15/0065
128/203.15
2011/0283997 A1* 11/2011 Walsh A61M 15/0065
128/200.23

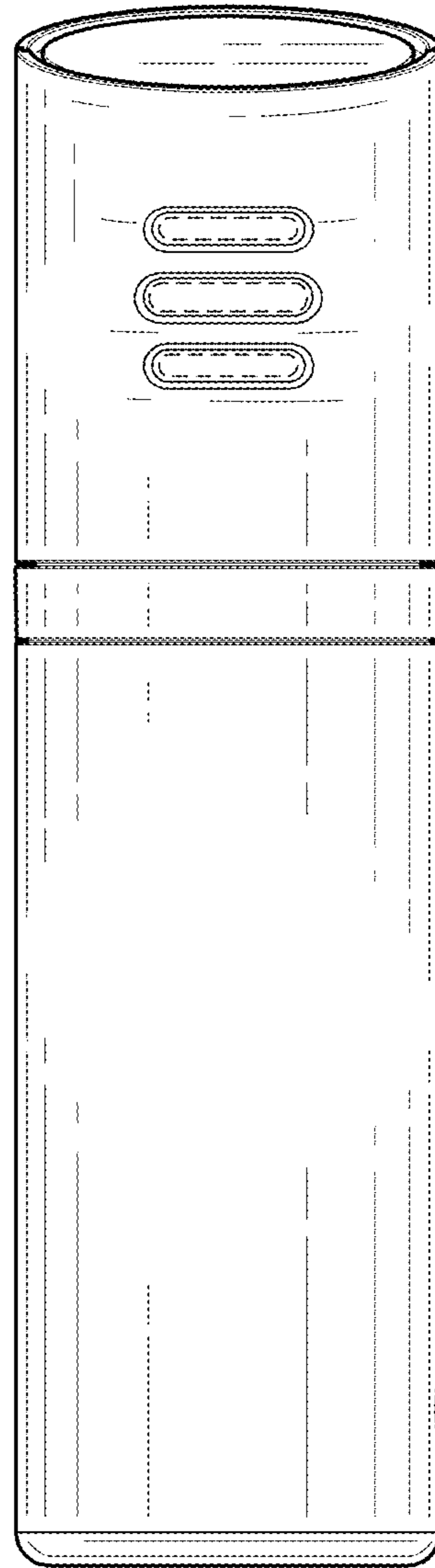
* cited by examiner



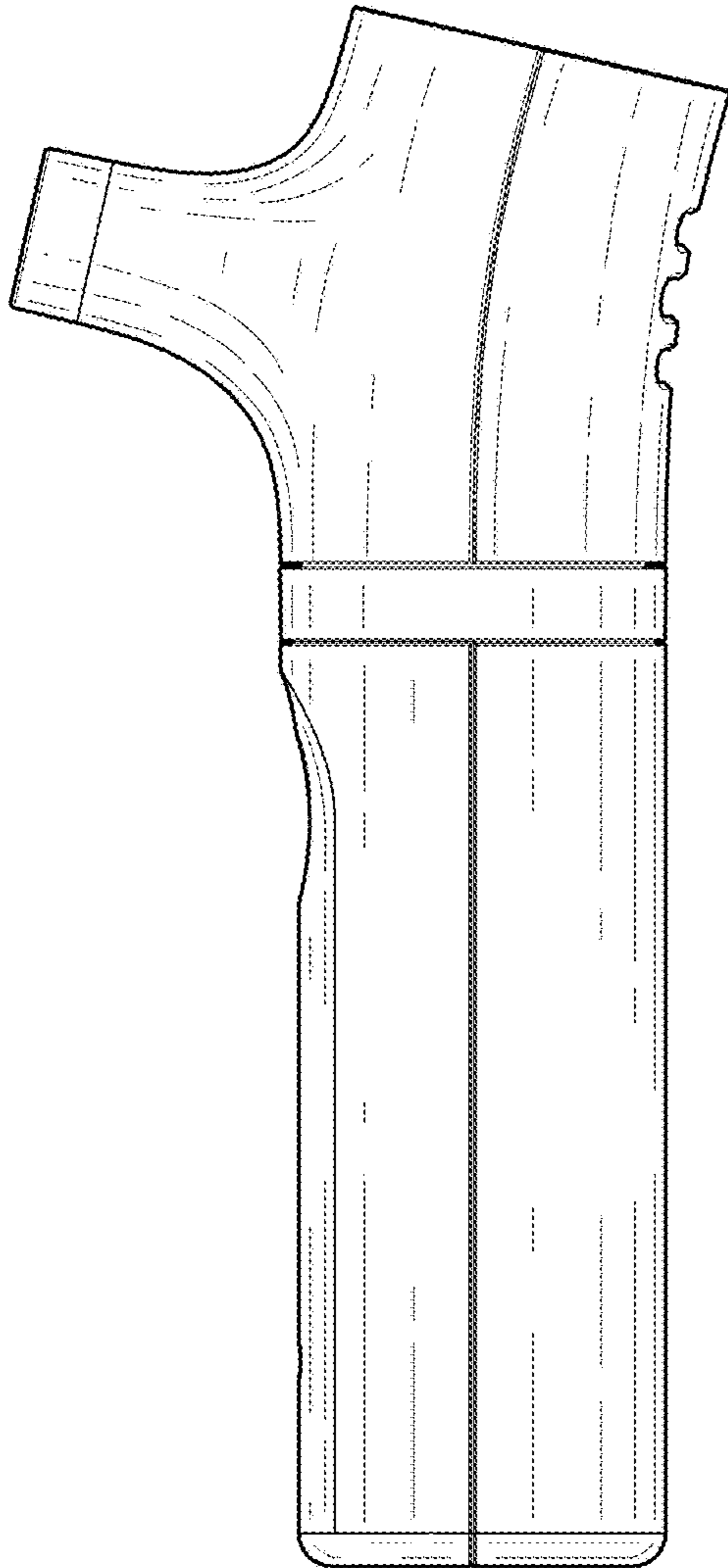
1.1



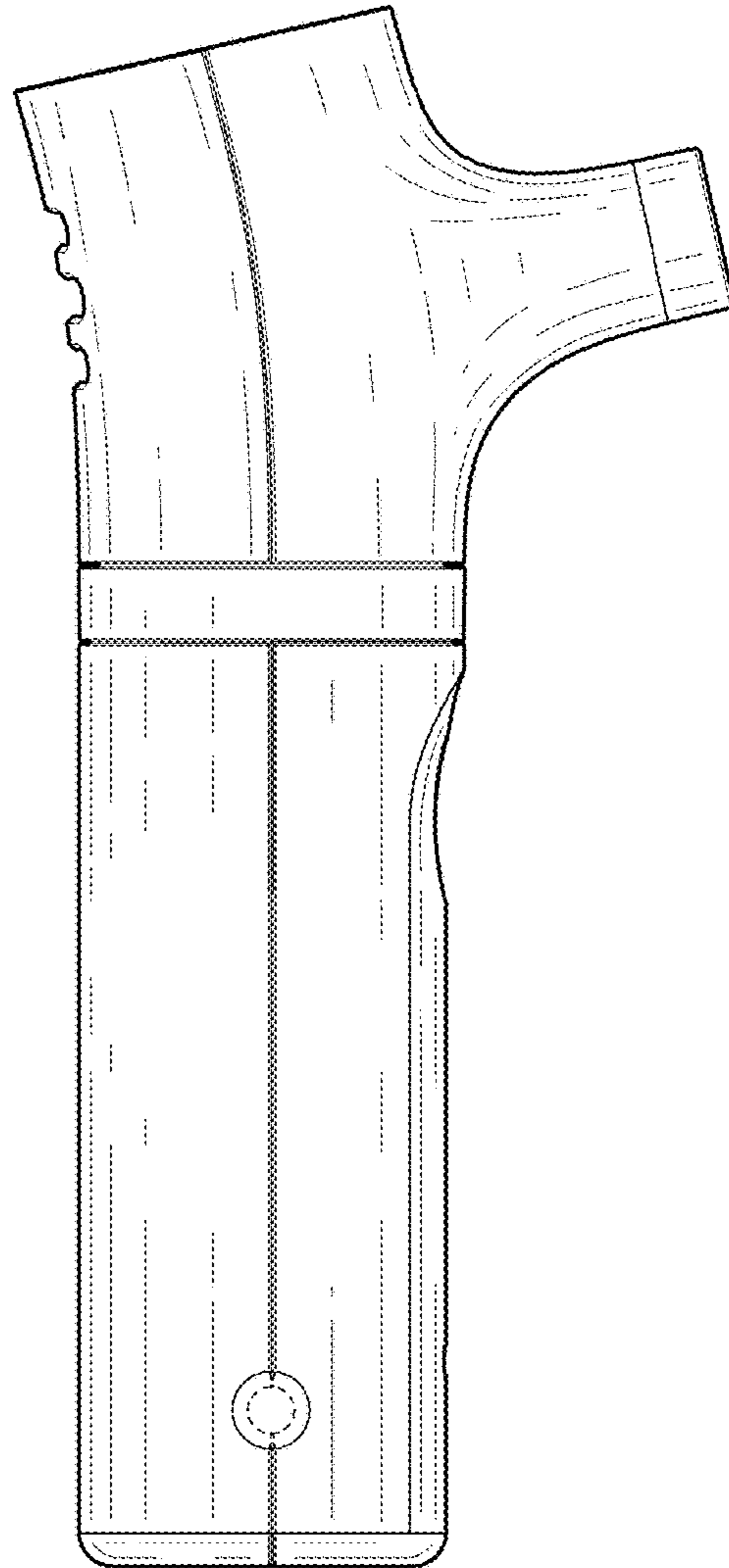
1.2



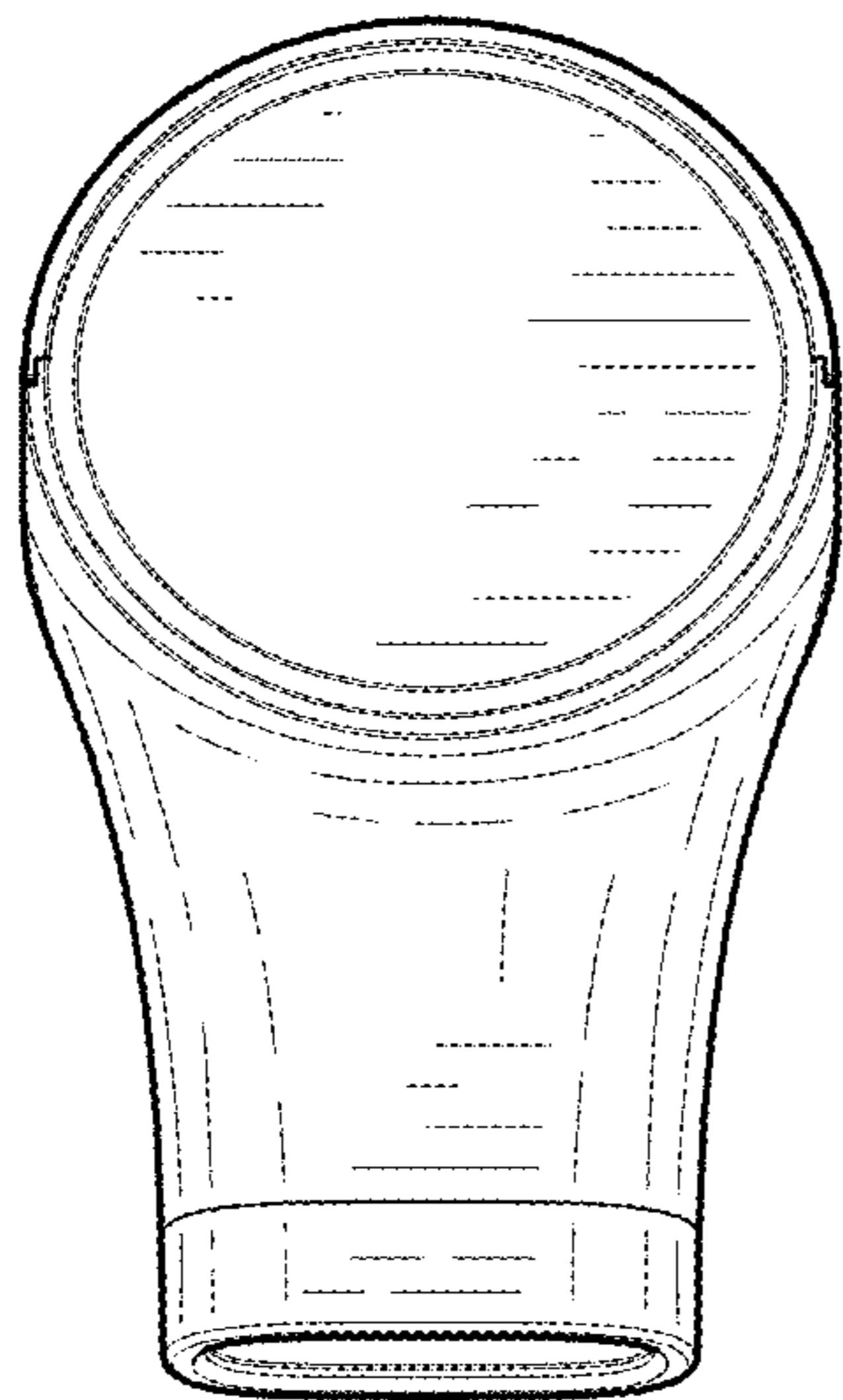
1.3



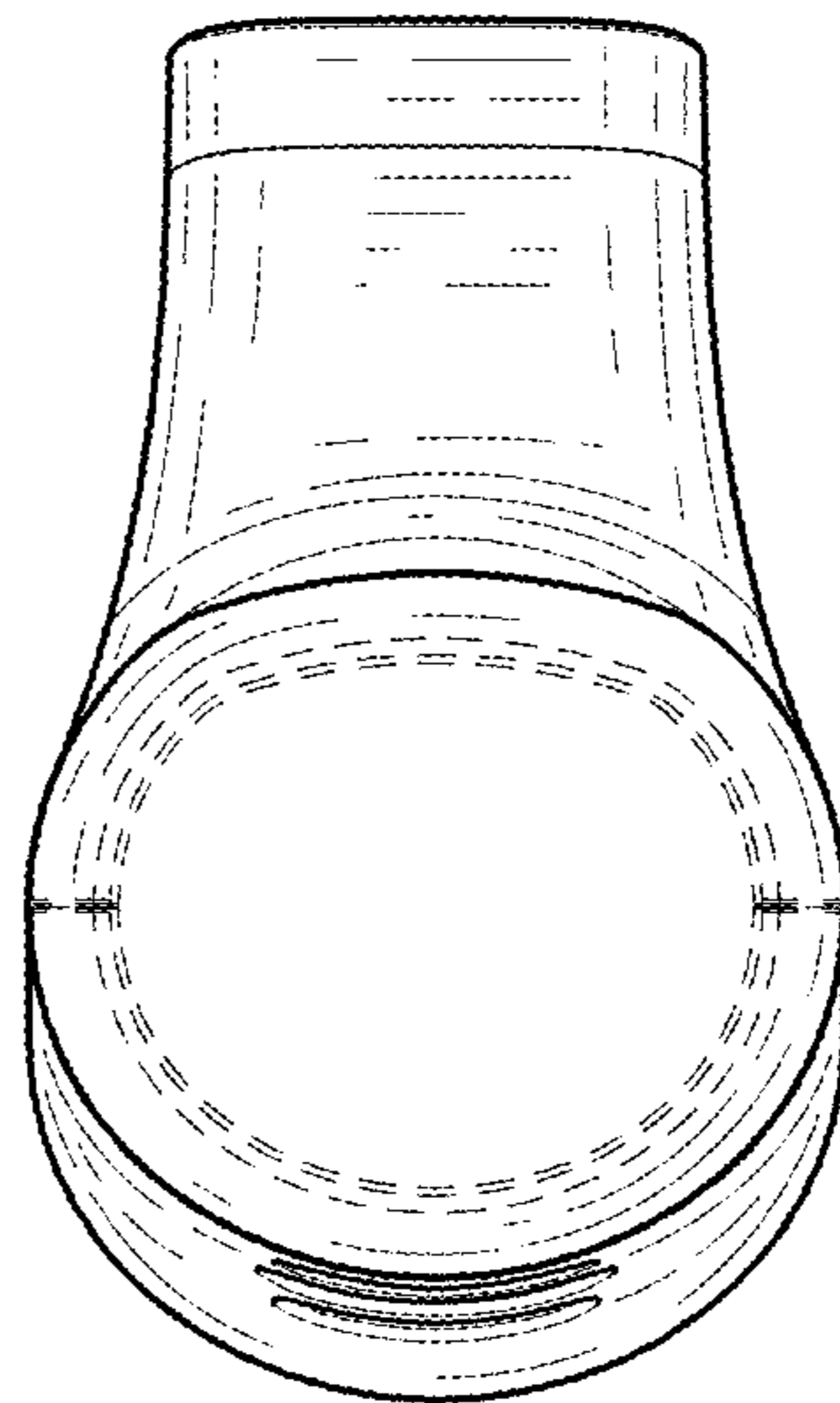
1.4



1.5



1.6



1.7