



US00D837364S

(12) **United States Design Patent**
O'Brien et al.

(10) **Patent No.:** **US D837,364 S**

(45) **Date of Patent:** **** Jan. 1, 2019**

- (54) **NEBULIZER**
- (71) Applicant: **MicroVapor Devices, LLC**, Columbia, SC (US)
- (72) Inventors: **Terry O'Brien**, Columbia, SC (US);
Joey Vann, West Columbia, SC (US)
- (73) Assignee: **MicroVapor Devices, LLC**, Columbia, SC (US)
- (**) Term: **15 Years**
- (21) Appl. No.: **29/615,663**
- (22) Filed: **Aug. 30, 2017**
- (51) **LOC (11) Cl.** **29-02**
- (52) **U.S. Cl.**
USPC **D24/110**
- (58) **Field of Classification Search**
USPC D24/107, 108, 110.1, 164, 110, 110.5;
D27/162-165, 167, 169-170
CPC A61M 2202/064; A61M 15/0021; A61M 15/06; A61M 15/009; A61M 15/0028; A61M 15/0065; A61M 15/0091; A61M 15/00; A61M 15/0025; A61M 11/005; A61M 15/0085; A61M 11/02; A61M 16/14; A61M 11/003; A61M 11/007; A61M 11/00; A24F 47/008
See application file for complete search history.

- (56) **References Cited**
U.S. PATENT DOCUMENTS
D337,636 S * 7/1993 Kocinski D24/110
D381,415 S * 7/1997 Iddon D24/110
D441,071 S * 4/2001 Attolini D24/110
6,283,118 B1 * 9/2001 Lu A61M 11/005
128/200.16
D585,977 S * 2/2009 Brown D24/110

- 7,631,643 B2 * 12/2009 Morrison A61M 15/0085
128/200.14
- 8,056,557 B2 * 11/2011 Lieberman A61M 11/005
128/200.14
- D752,205 S * 3/2016 Genord D24/110
- D752,206 S * 3/2016 Genord D24/110
- D752,207 S * 3/2016 Genord D24/110
- D753,285 S * 4/2016 Genord D24/110
- D771,798 S * 11/2016 Li D24/110
- 2006/0243274 A1 * 11/2006 Lieberman A61M 11/005
128/200.14
- 2008/0092880 A1 * 4/2008 Ooida A61M 11/005
128/200.14
- 2010/0326431 A1 * 12/2010 Yu A61M 11/005
128/200.14
- 2016/0271343 A1 * 9/2016 Abate A61M 15/0085
- 2018/0104424 A1 * 4/2018 Akouka A61M 16/14

* cited by examiner

Primary Examiner — Karen E Kearney

Assistant Examiner — Lilyana Bekic

(74) *Attorney, Agent, or Firm* — Jones Day

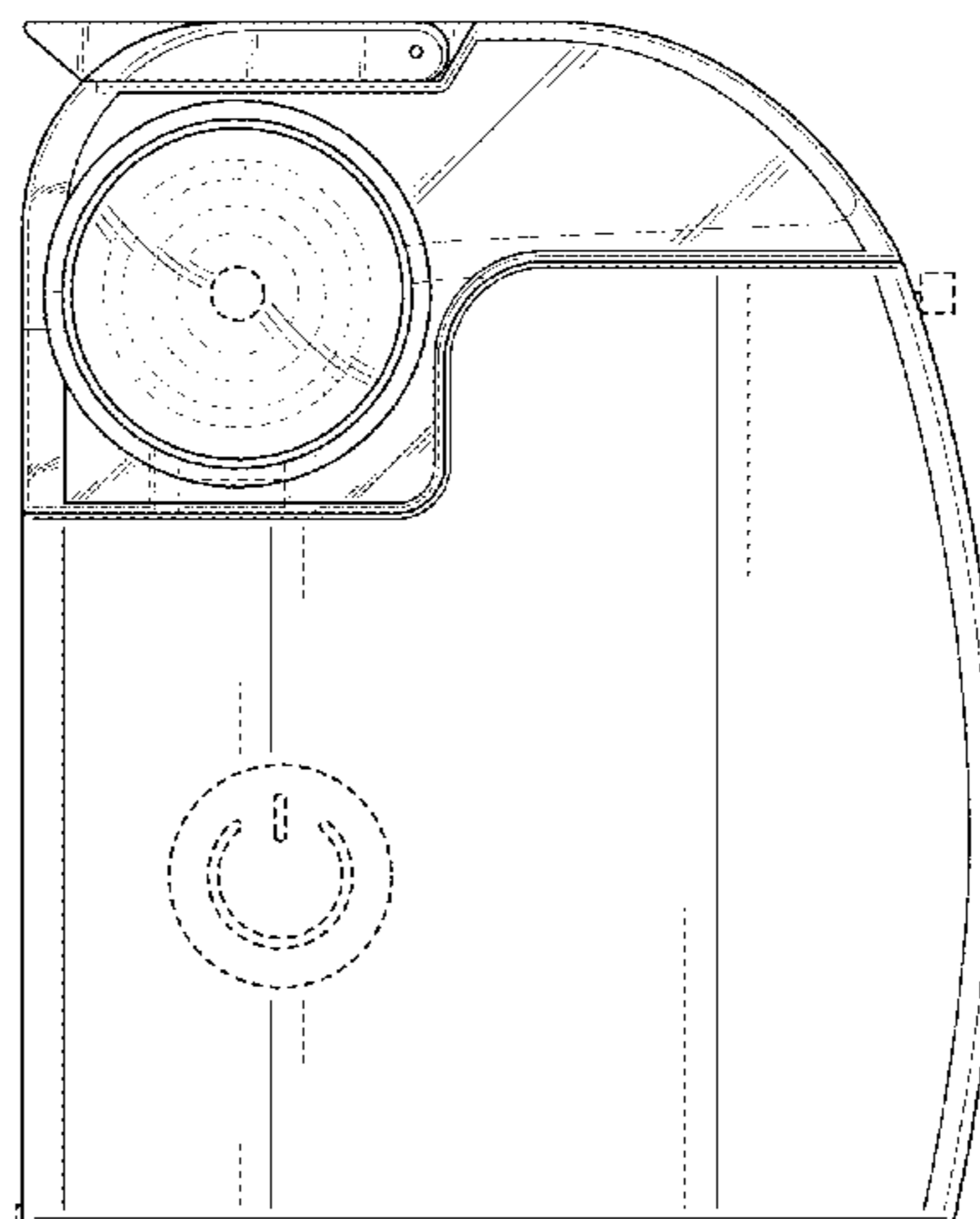
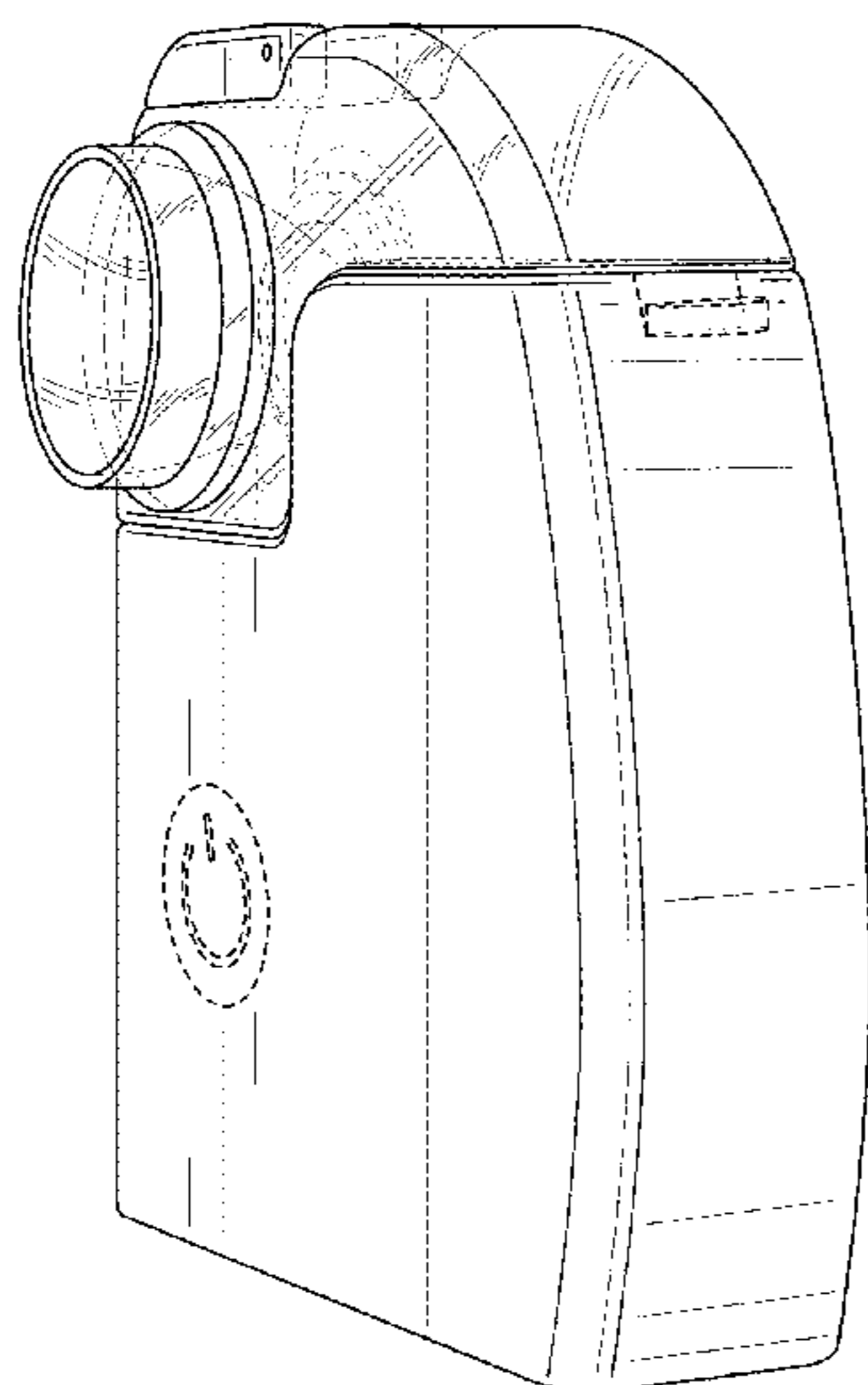
(57) **CLAIM**

The ornamental design for a nebulizer, as shown and described.

DESCRIPTION

FIG. 1 is a perspective view of a first embodiment of a nebulizer showing my design;
 FIG. 2 is a front elevation view thereof;
 FIG. 3 is a rear elevation view thereof;
 FIG. 4 is a right side elevation view thereof;
 FIG. 5 is a left side elevation view thereof;
 FIG. 6 is a top plan view thereof; and,
 FIG. 7 is a bottom plan view thereof.
 The broken lines shown in the drawings depict portions of the nebulizer that form no part of the claimed design.

1 Claim, 7 Drawing Sheets



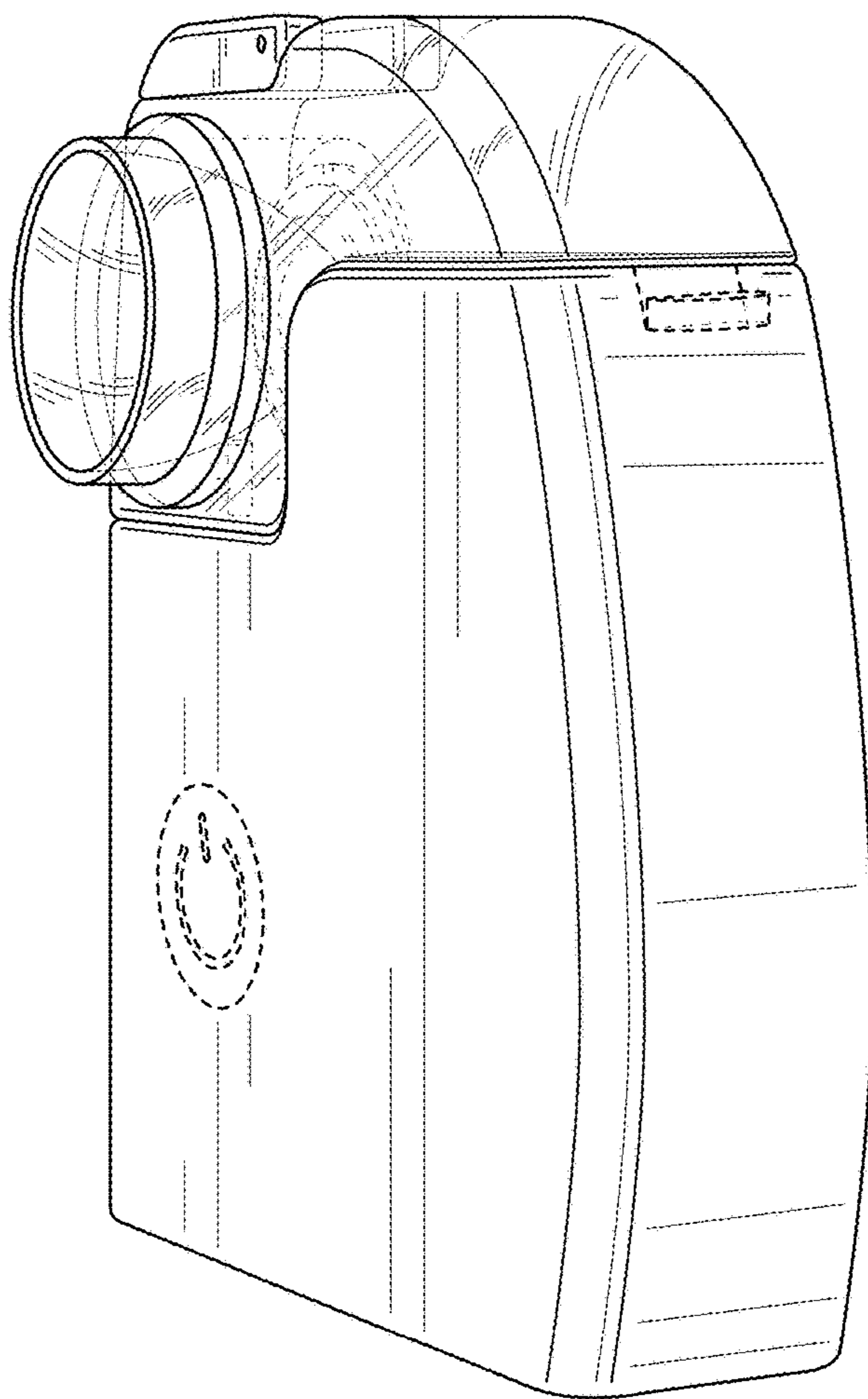


FIG. 1

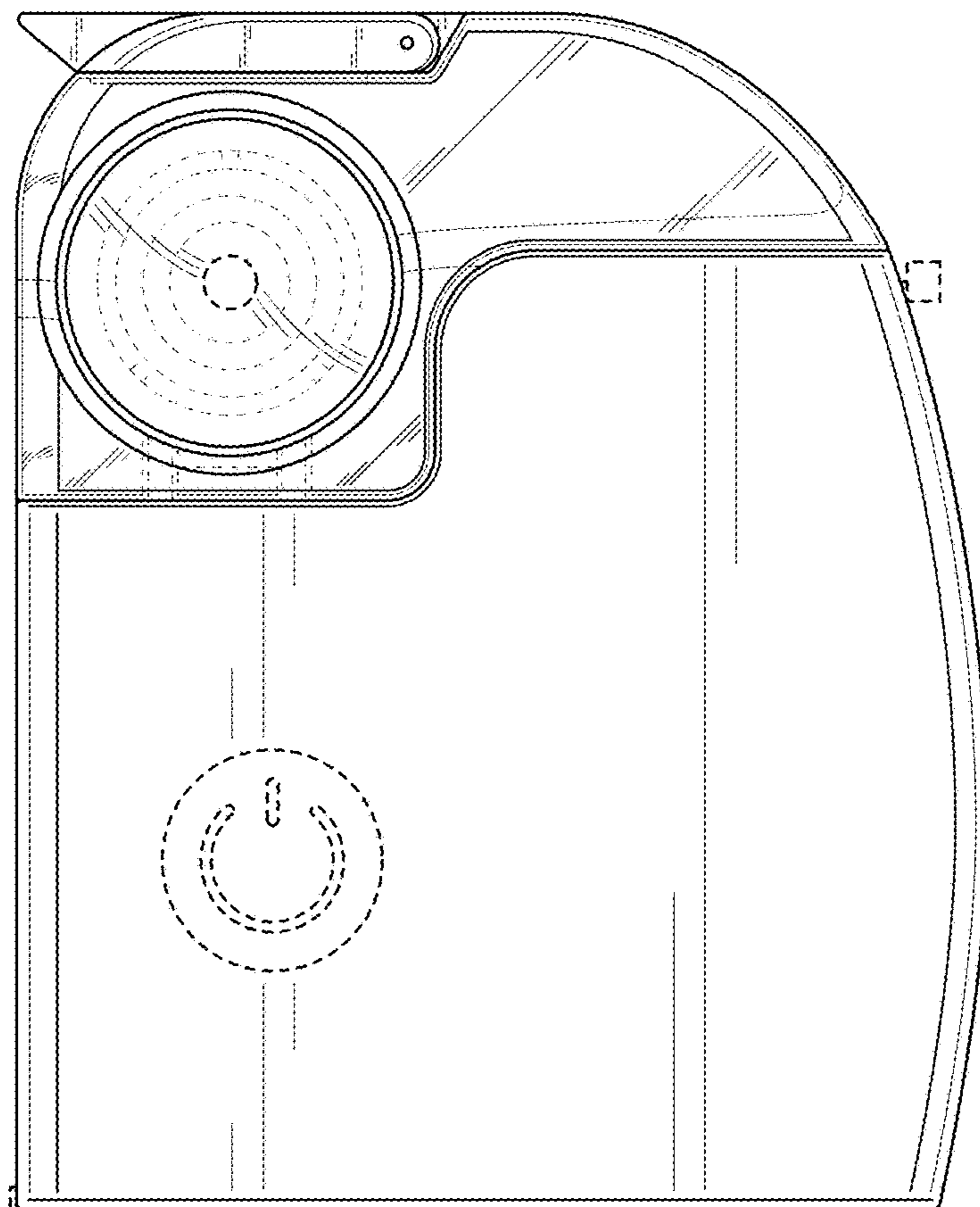


FIG. 2

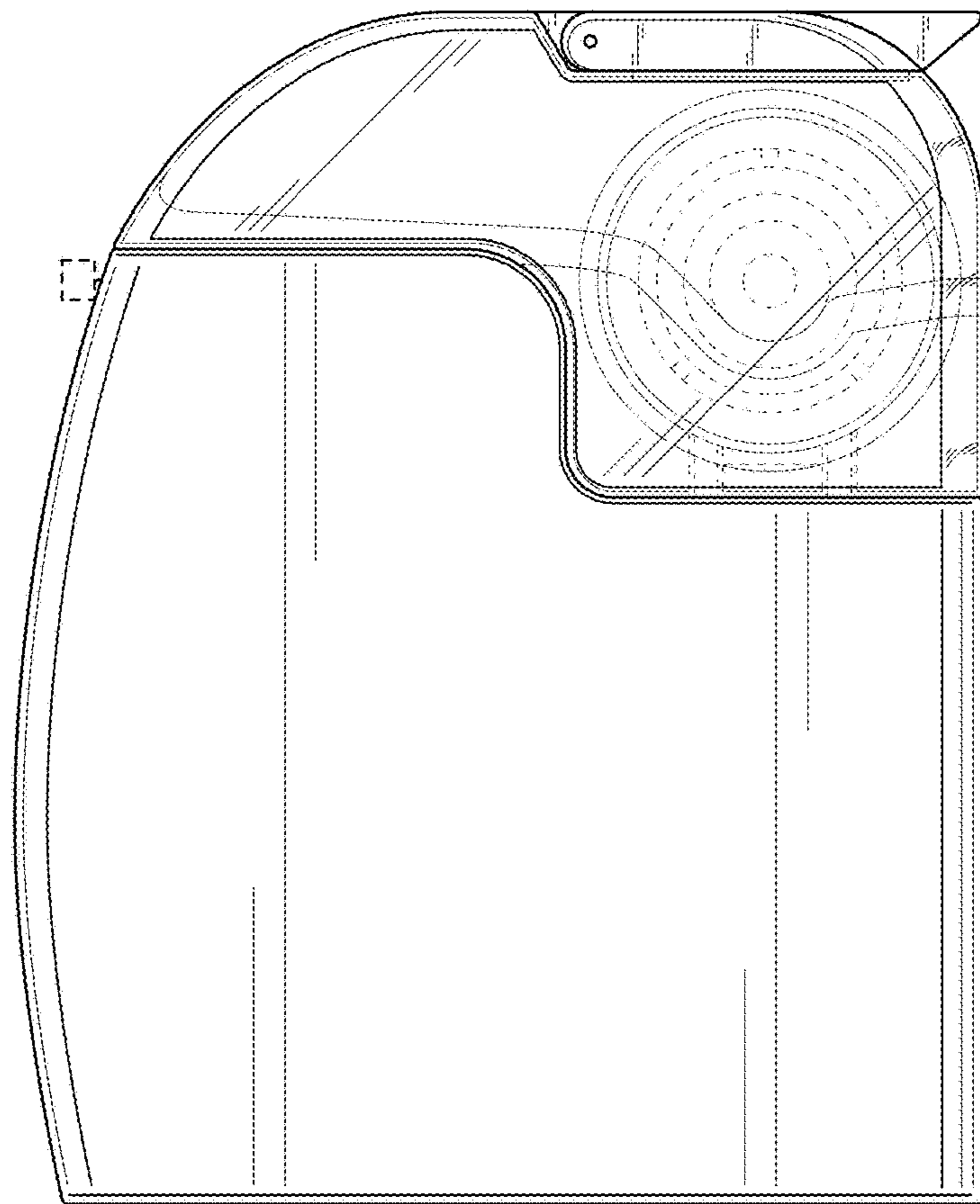


FIG. 3

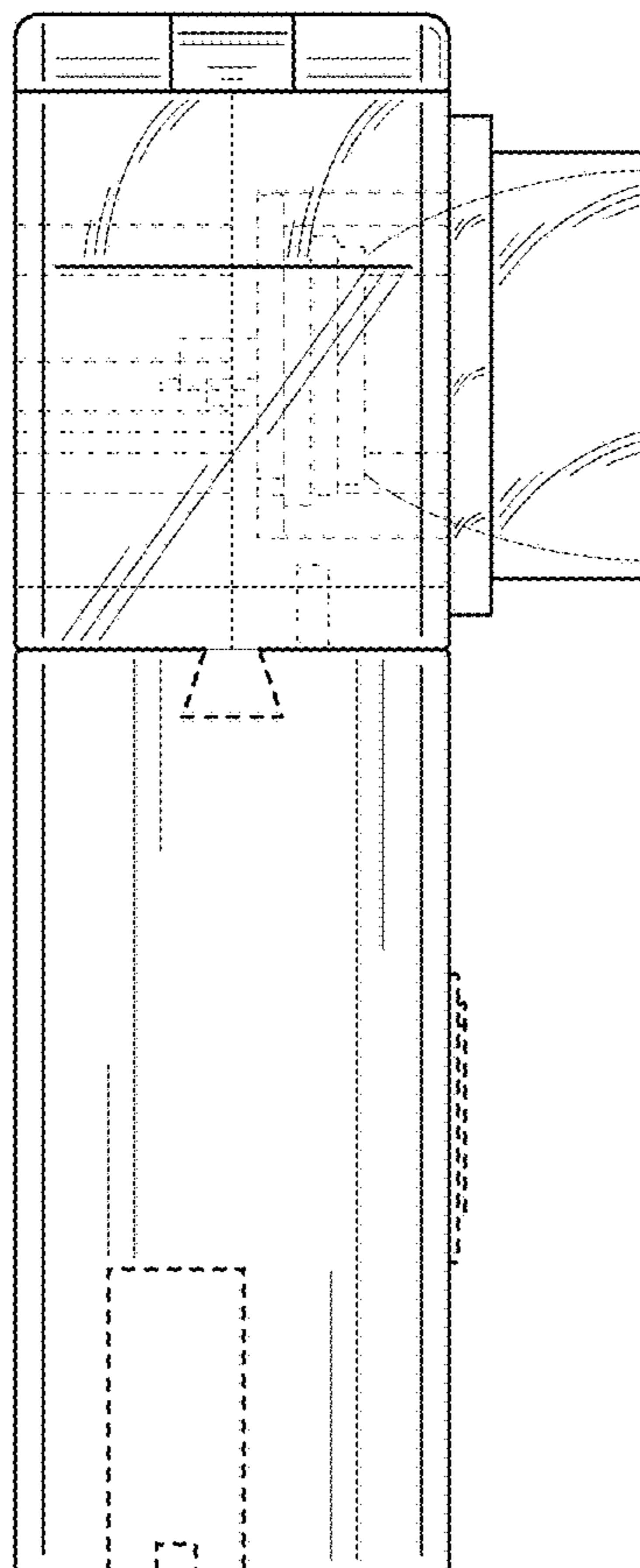


FIG. 4

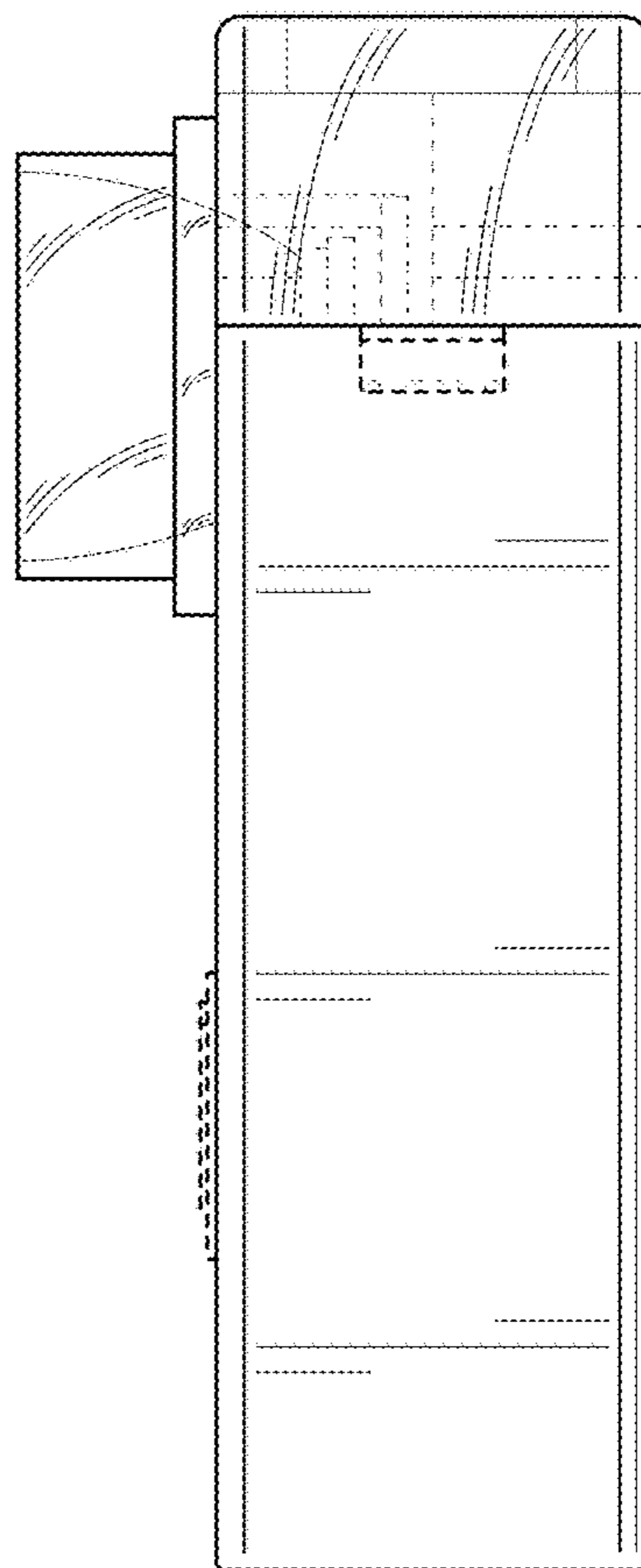


FIG. 5

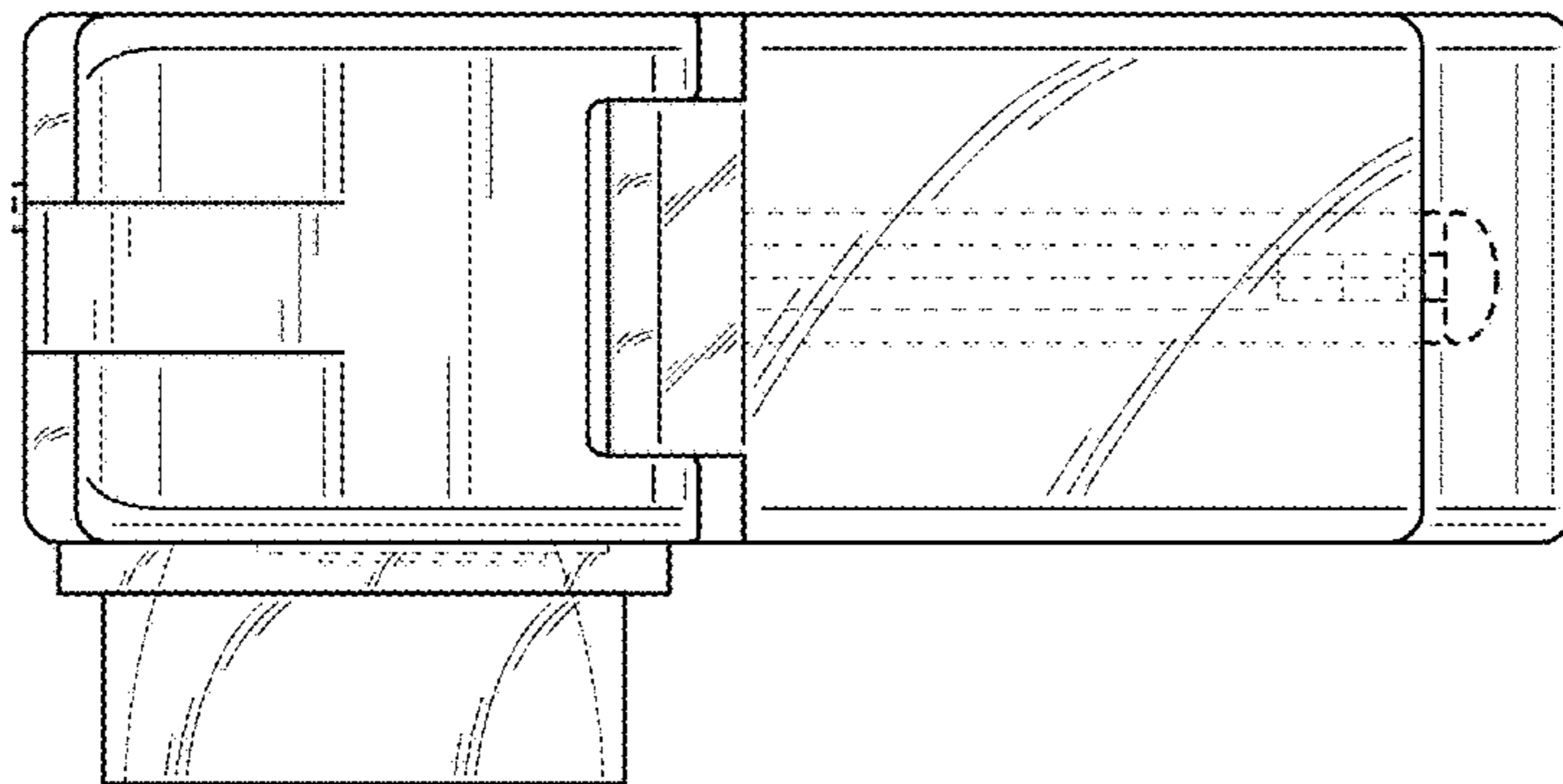


FIG. 6

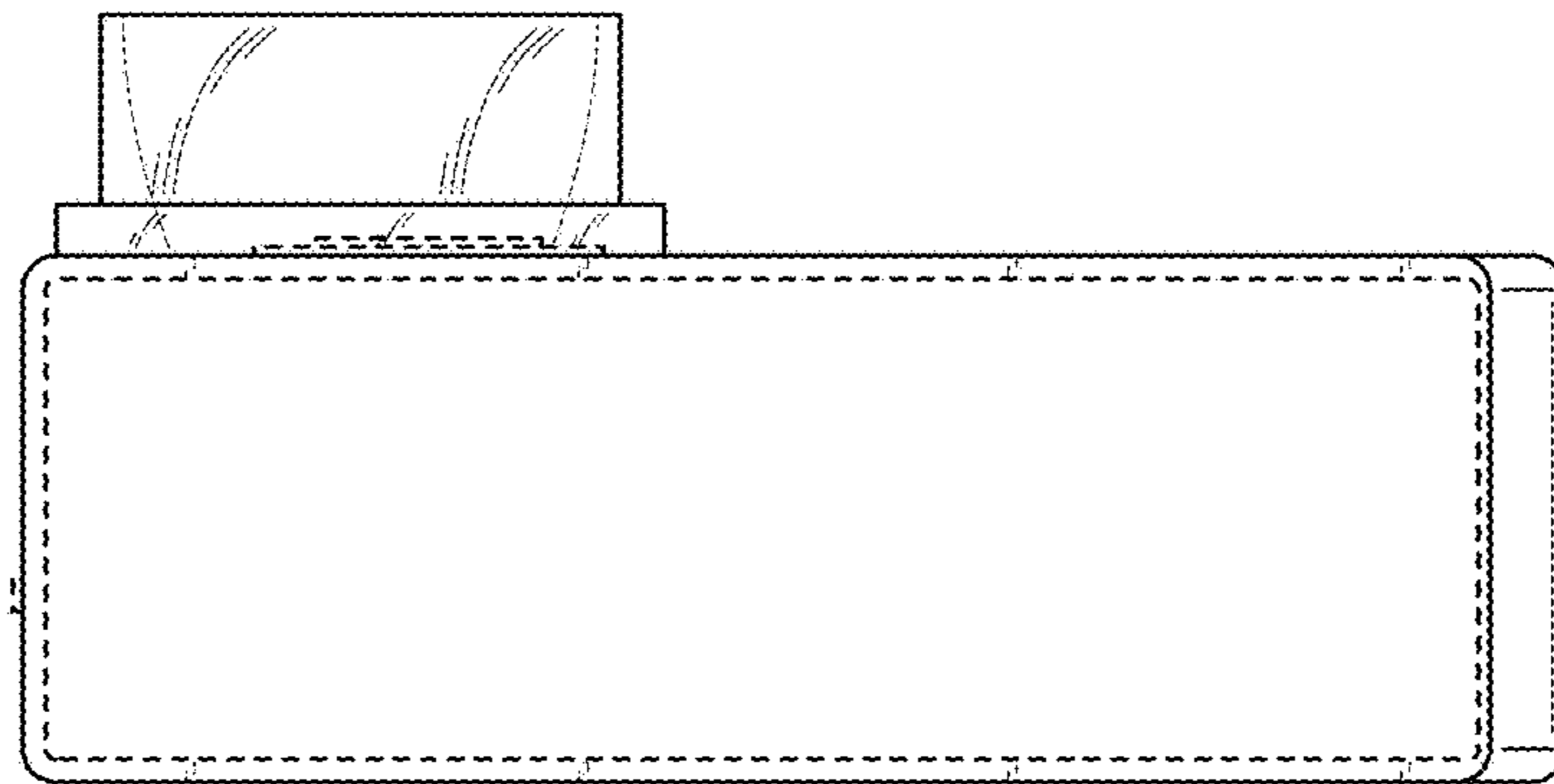


FIG. 7