



US00D837363S

(12) **United States Design Patent**
Schulzman

(10) **Patent No.:** **US D837,363 S**
(45) **Date of Patent:** **** Jan. 1, 2019**

- (54) **CEILING FAN BLADE IRON**
- (71) Applicant: **Minka Lighting, Inc.**, Corona, CA (US)
- (72) Inventor: **Kurt Schulzman**, Long Beach, CA (US)
- (73) Assignee: **Minka Lighting, Inc.**, Corona, CA (US)
- (**) Term: **15 Years**
- (21) Appl. No.: **29/650,095**
- (22) Filed: **Jun. 4, 2018**

Related U.S. Application Data

- (63) Continuation-in-part of application No. 29/590,086, filed on Jan. 6, 2017.
- (51) **LOC (11) Cl.** **23-04**
- (52) **U.S. Cl.**
USPC **D23/411**
- (58) **Field of Classification Search**
USPC D23/370, 377, 379, 385, 411, 413;
D26/59
CPC F04D 25/08; F04D 29/388; F04D 29/34;
F04D 25/088
See application file for complete search history.

(56) **References Cited**

U.S. PATENT DOCUMENTS

- D442,275 S * 5/2001 Dolan D23/411
- D505,719 S * 5/2005 Hidalgo D23/411
- D514,220 S * 1/2006 Tai D23/411
- D522,647 S * 6/2006 Pickett D23/411
- D522,648 S * 6/2006 Ertze D23/411

- D524,933 S * 7/2006 Young D23/411
- D535,384 S * 1/2007 Pickett D23/411
- D535,739 S * 1/2007 Pan D23/411
- D551,756 S * 9/2007 Ertze D23/411
- D572,815 S * 7/2008 Hidalgo D23/411
- D580,546 S * 11/2008 Smyth D23/411
- D613,847 S * 4/2010 Shurtleff D23/411
- D627,872 S * 11/2010 Pan D23/411
- D630,722 S * 1/2011 Pickett D23/411
- D787,038 S * 5/2017 Badarello D23/411
- D800,296 S * 10/2017 Wang D23/411
- D812,217 S * 3/2018 Hidalgo D23/411
- D818,574 S * 5/2018 Hidalgo D23/411

* cited by examiner

Primary Examiner — Janice Hallmark

(74) *Attorney, Agent, or Firm* — Baker & McKenzie LLP

(57) **CLAIM**

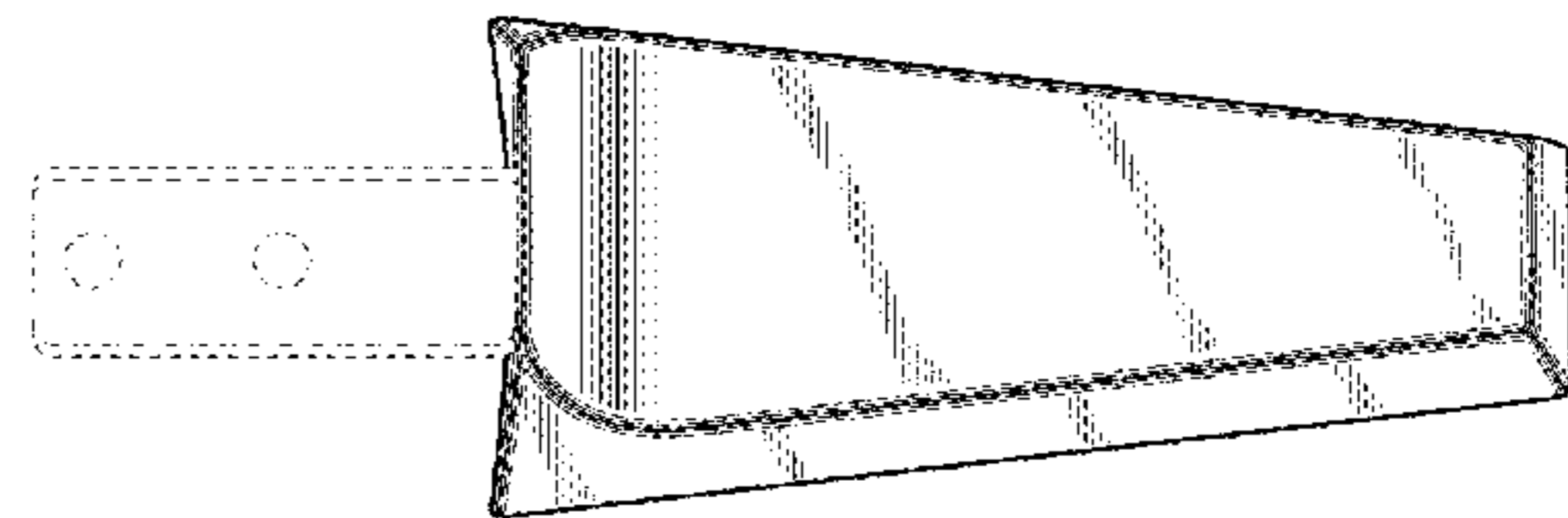
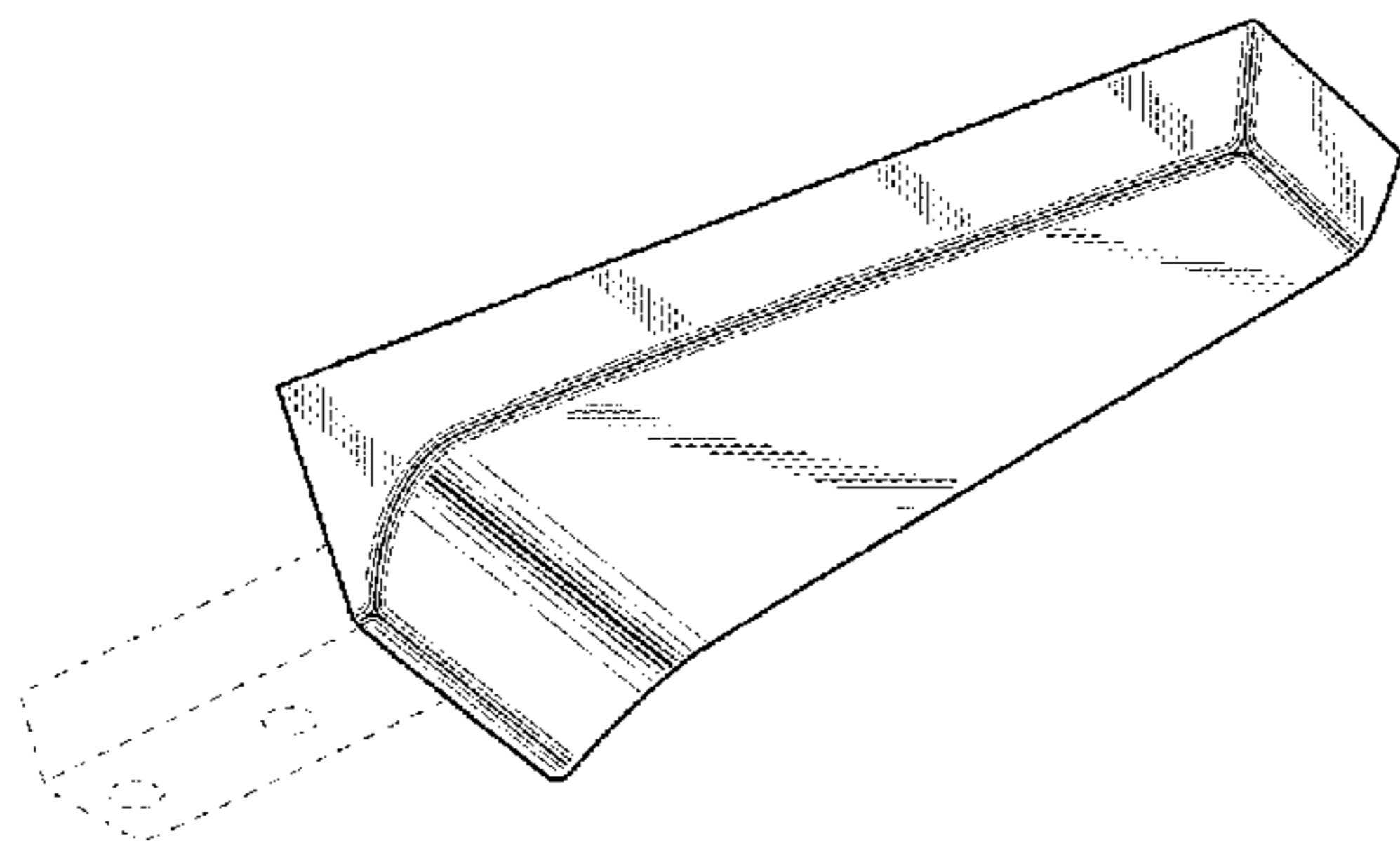
The ornamental design for a ceiling fan blade iron, as shown and described.

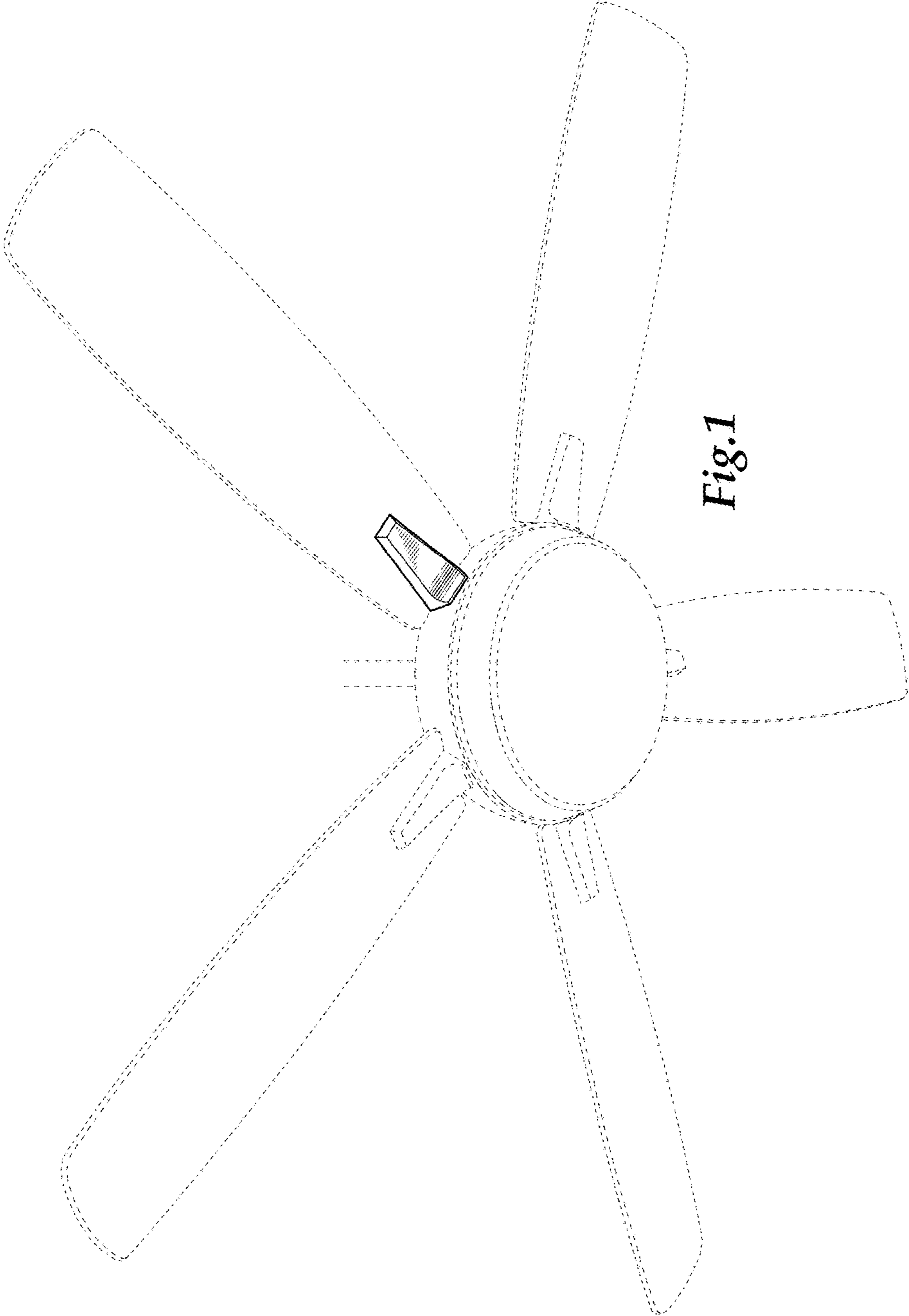
DESCRIPTION

FIG. 1 is a perspective view of a ceiling fan blade iron showing my new design;
 FIG. 2 is an enlarged perspective view thereof;
 FIG. 3 is a top plan view thereof;
 FIG. 4 is a bottom plan view thereof;
 FIG. 5 is a left elevation view thereof;
 FIG. 6 is a right elevation view thereof;
 FIG. 7 is a front elevation view thereof; and,
 FIG. 8 is a rear elevation view thereof.

The broken lines in FIG. 1 illustrate a ceiling fan that forms no part of the claimed design. The broken lines in FIGS. 2-8 illustrate portions of the ceiling fan blade iron that form no part of the claimed design.

1 Claim, 2 Drawing Sheets





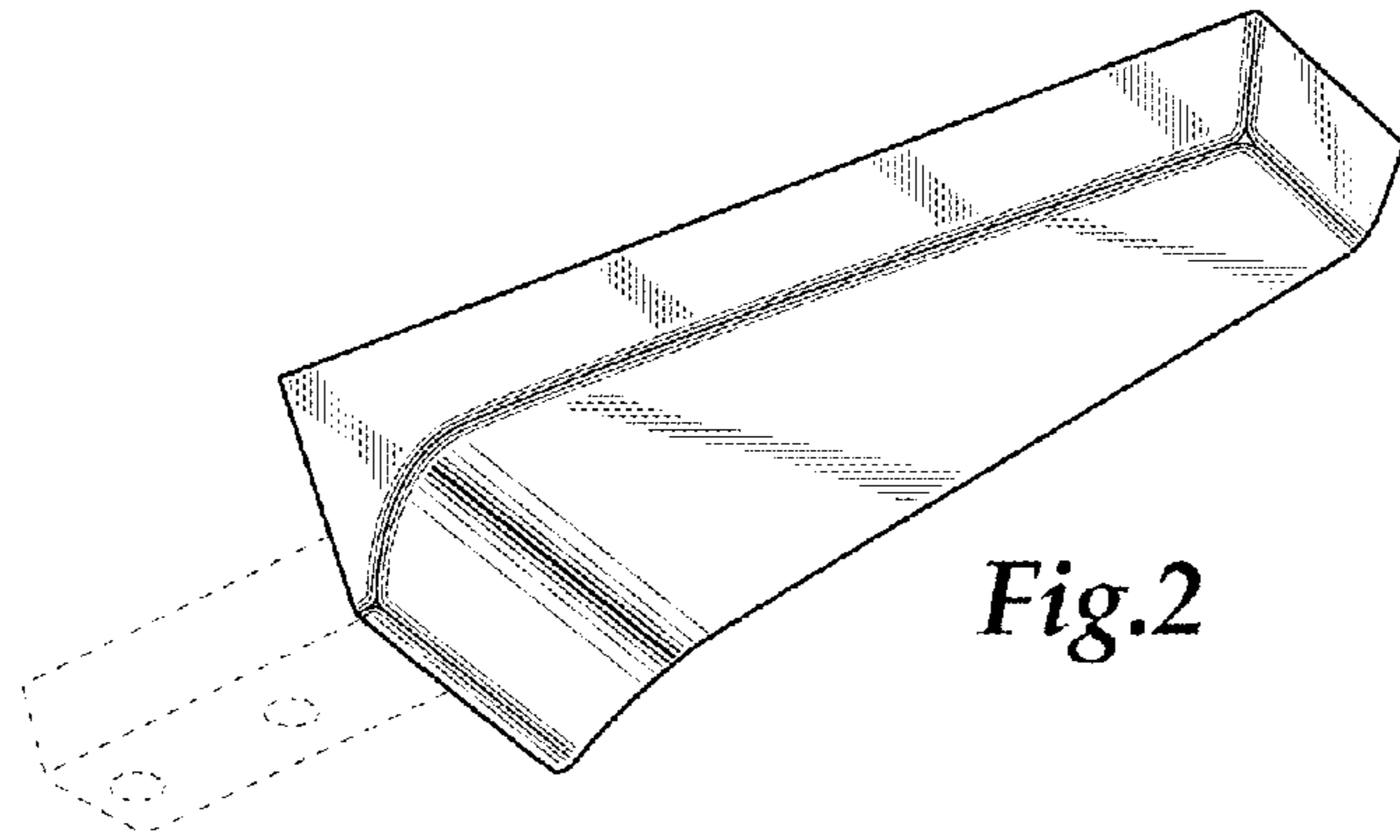


Fig.2

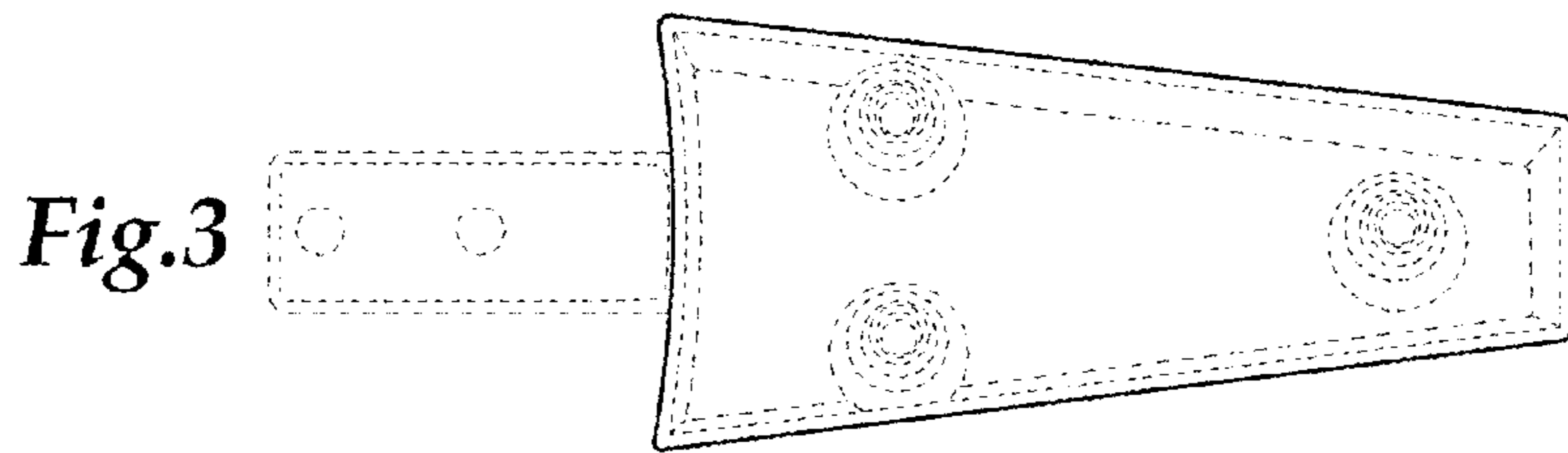


Fig.3

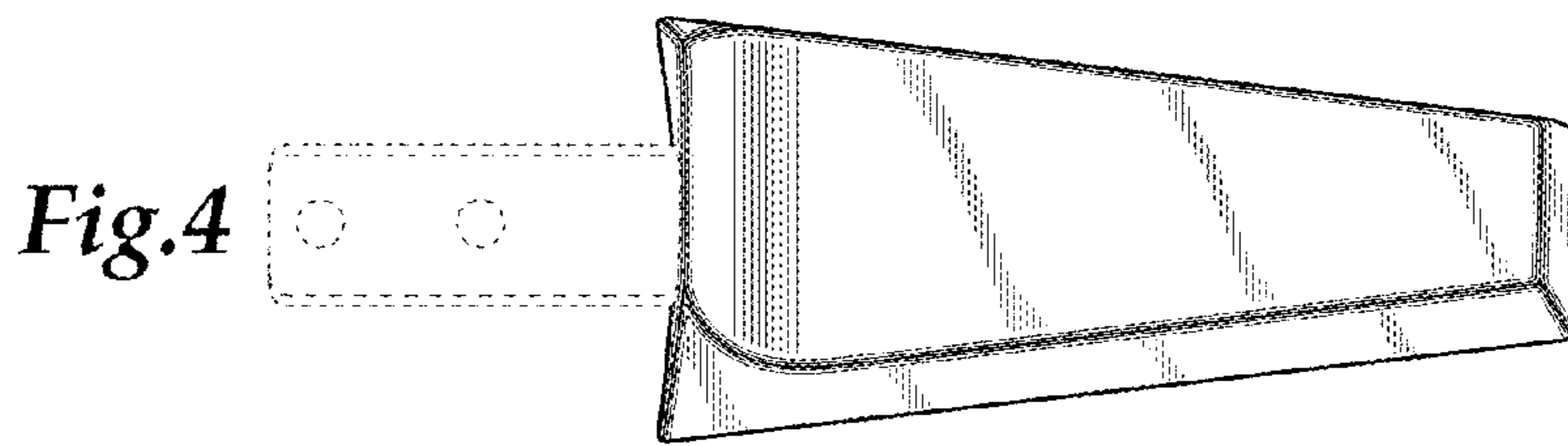


Fig.4

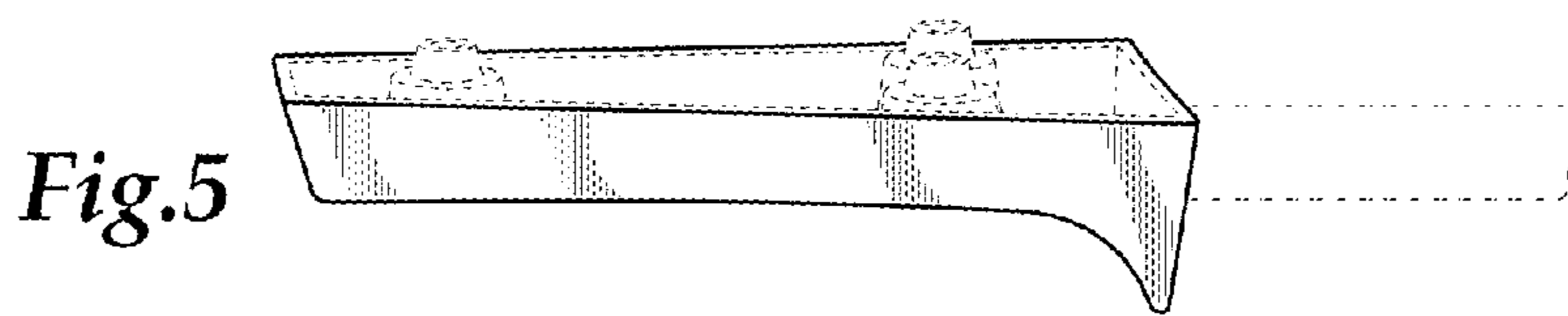


Fig.5

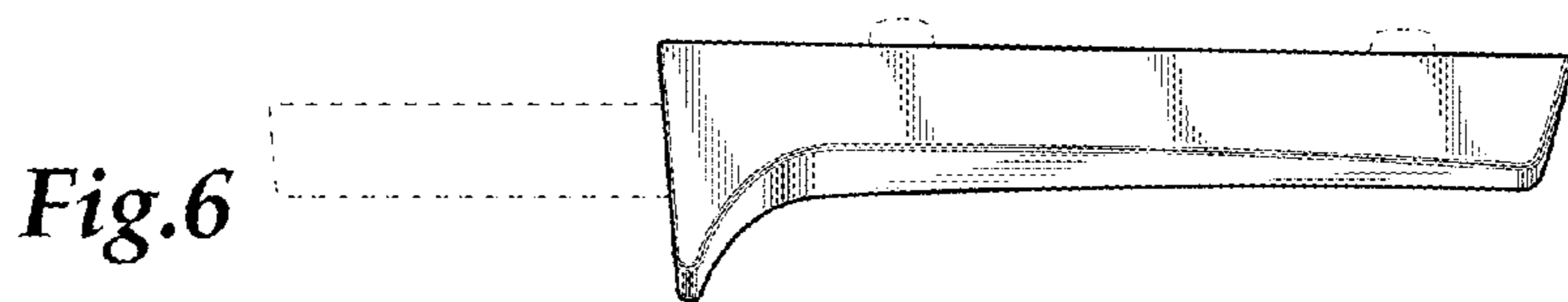


Fig.6

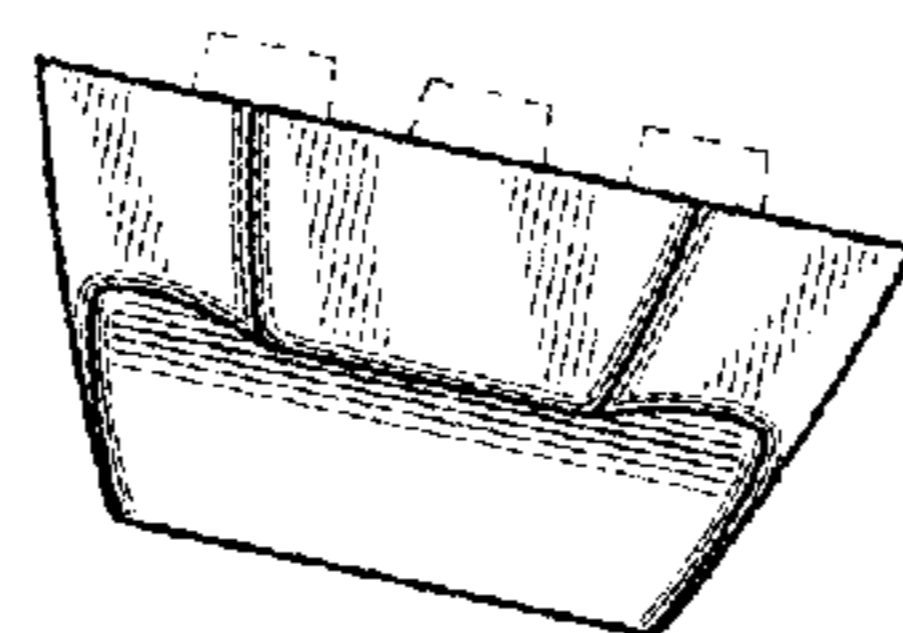


Fig.7

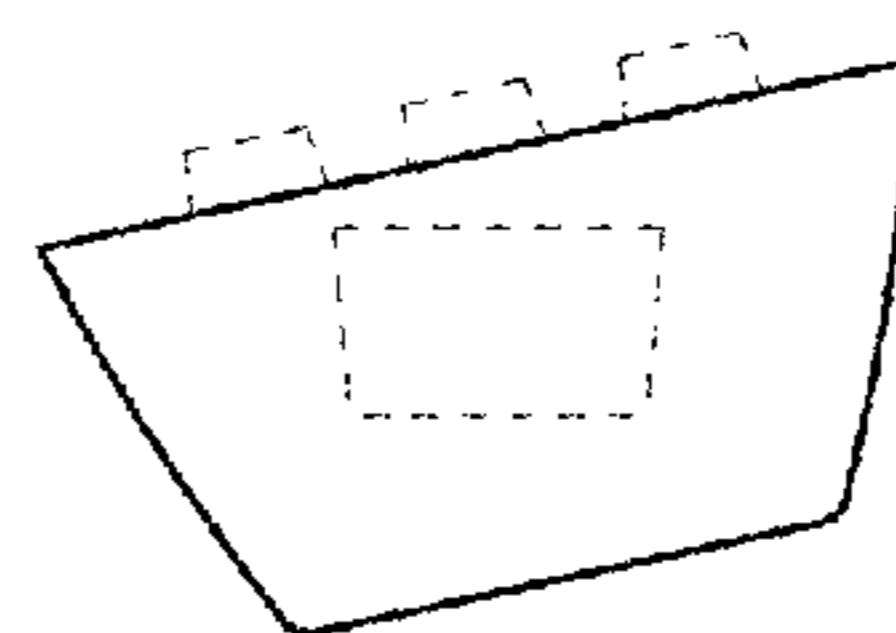


Fig.8