

US00D837360S

(12) **United States Design Patent**  
**Cui**

(10) **Patent No.:** **US D837,360 S**

(45) **Date of Patent:** **\*\* Jan. 1, 2019**

(54) **MISTING FAN**

(71) Applicant: **Foshan Naibao Electric Co., Ltd.**,  
Xiqiao Town (CN)

(72) Inventor: **Jiayao Cui**, Guangdong (CN)

(73) Assignee: **Foshan Naibao Electric Co., Ltd.**  
(CN)

(\*\*) Term: **15 Years**

(21) Appl. No.: **29/594,900**

(22) Filed: **Feb. 23, 2017**

(30) **Foreign Application Priority Data**

Dec. 22, 2016 (CN) ..... 2016 3 0639468

(51) **LOC (11) Cl.** ..... **23-04**

(52) **U.S. Cl.**  
USPC ..... **D23/383**

(58) **Field of Classification Search**  
USPC ..... D23/370-383, 411-414, 364, 365, 328,  
D23/360; D32/15  
CPC ..... A61L 9/12; A61L 9/04; A61L 9/122  
See application file for complete search history.

(56) **References Cited**

**U.S. PATENT DOCUMENTS**

D152,778 S \* 2/1949 Fox ..... D23/370  
D482,772 S \* 11/2003 Dooley ..... D23/383

D566,823 S \* 4/2008 Lewis ..... D23/383  
D577,426 S \* 9/2008 Huang ..... D23/360  
D594,962 S \* 6/2009 Lewis ..... D23/383  
7,785,064 B2 \* 8/2010 Bartholmey ..... F04D 29/4246  
415/1  
D704,908 S \* 5/2014 Cui ..... D32/15  
D810,269 S \* 2/2018 Sanders ..... D23/383  
D815,722 S \* 4/2018 Muller ..... D23/370  
2016/0175472 A1 \* 6/2016 Tan ..... A61L 9/122  
422/4

\* cited by examiner

*Primary Examiner* — Janice Hallmark

(74) *Attorney, Agent, or Firm* — Lerner, David,  
Littenberg, Krumholz & Mentlik, LLP

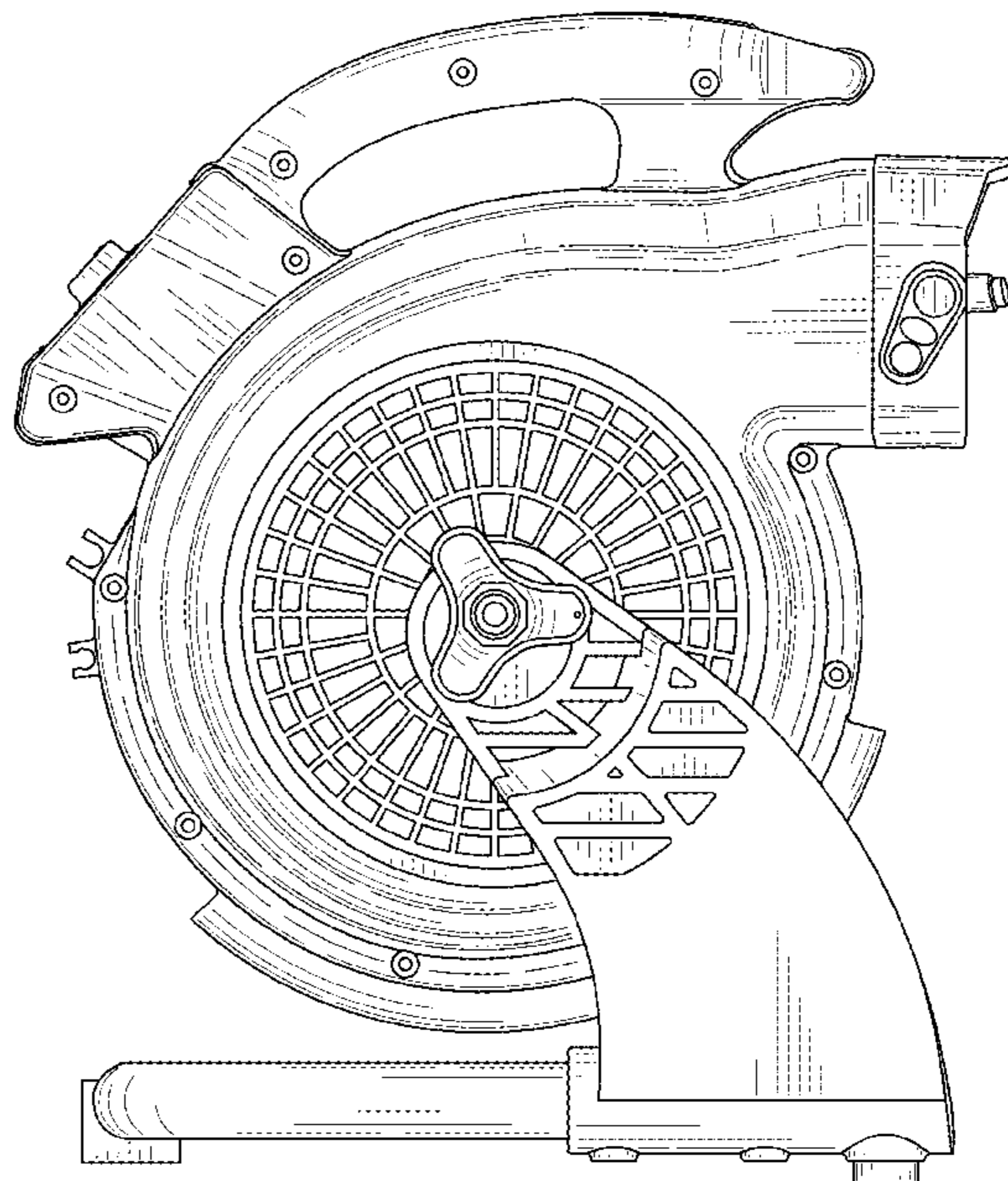
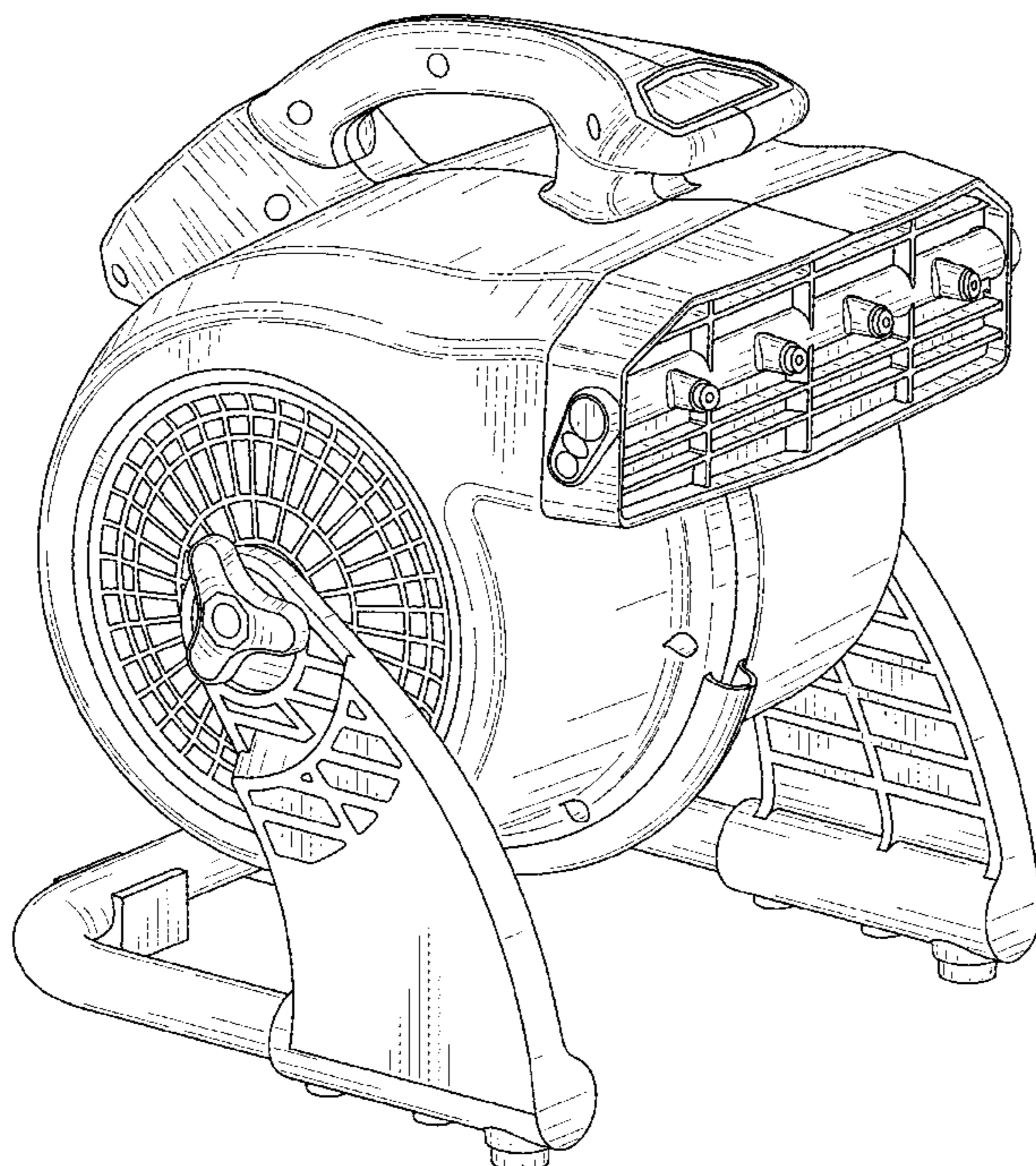
(57) **CLAIM**

The ornamental design for a misting fan, as shown and described.

**DESCRIPTION**

FIG. 1 is a front perspective view of a misting fan according to my design;  
FIG. 2 is a front elevational view thereof;  
FIG. 3 is a rear elevational view thereof;  
FIG. 4 is a right side elevational view thereof;  
FIG. 5 is a left side elevational view thereof;  
FIG. 6 is a bottom plan view thereof;  
FIG. 7 is a top plan view thereof; and,  
FIG. 8 is a rear perspective view thereof.

**1 Claim, 8 Drawing Sheets**



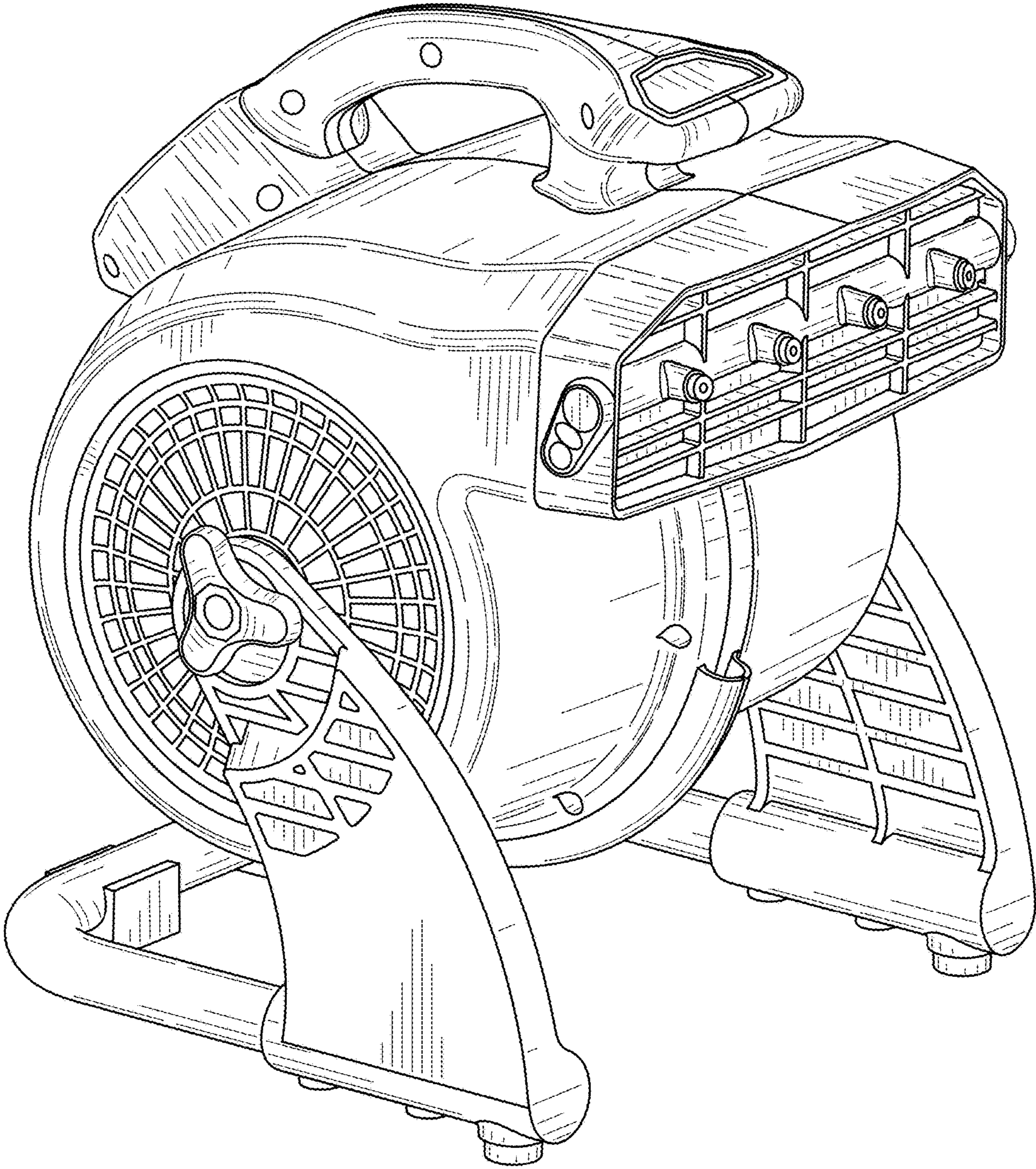


FIG. 1

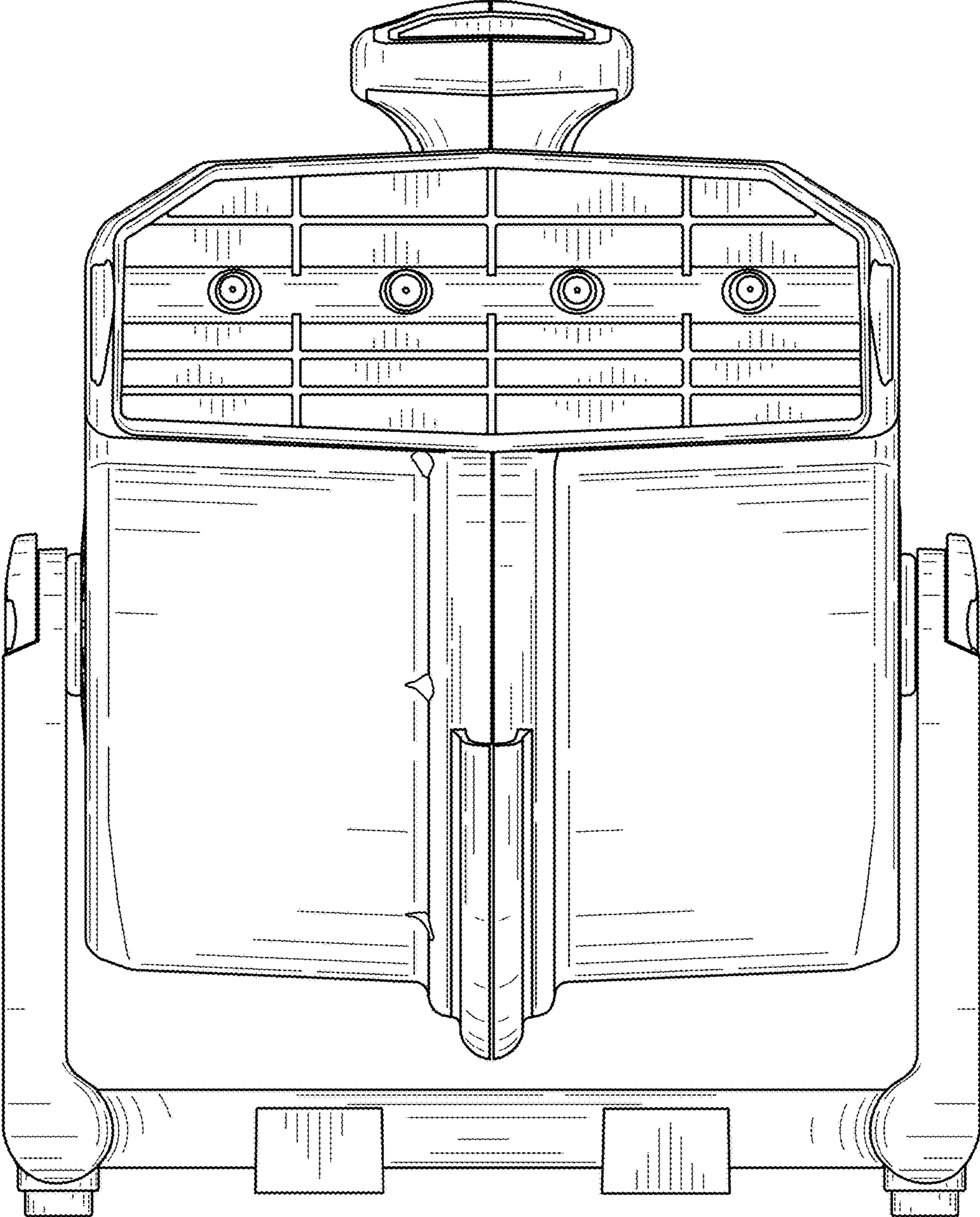


FIG. 2

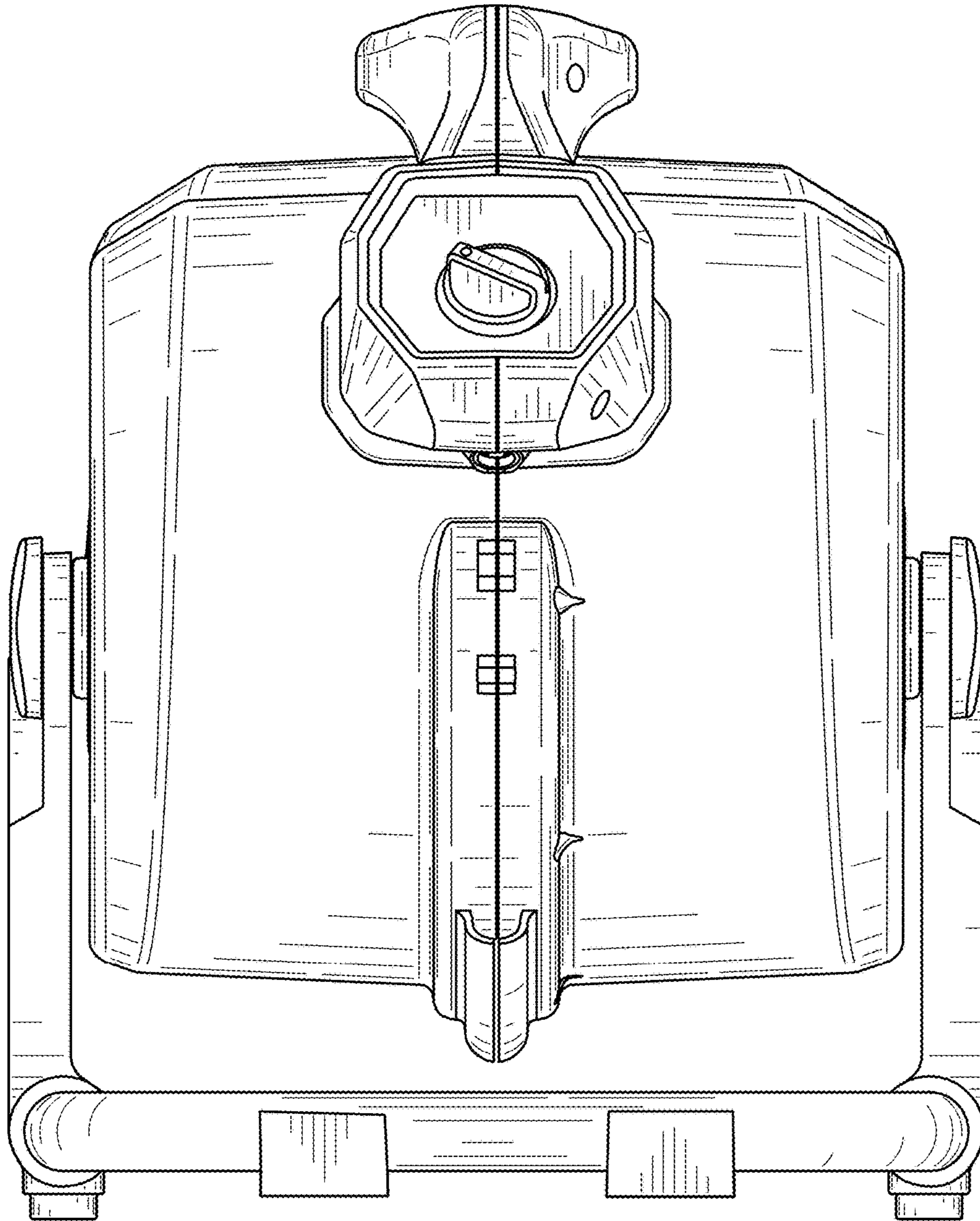


FIG. 3

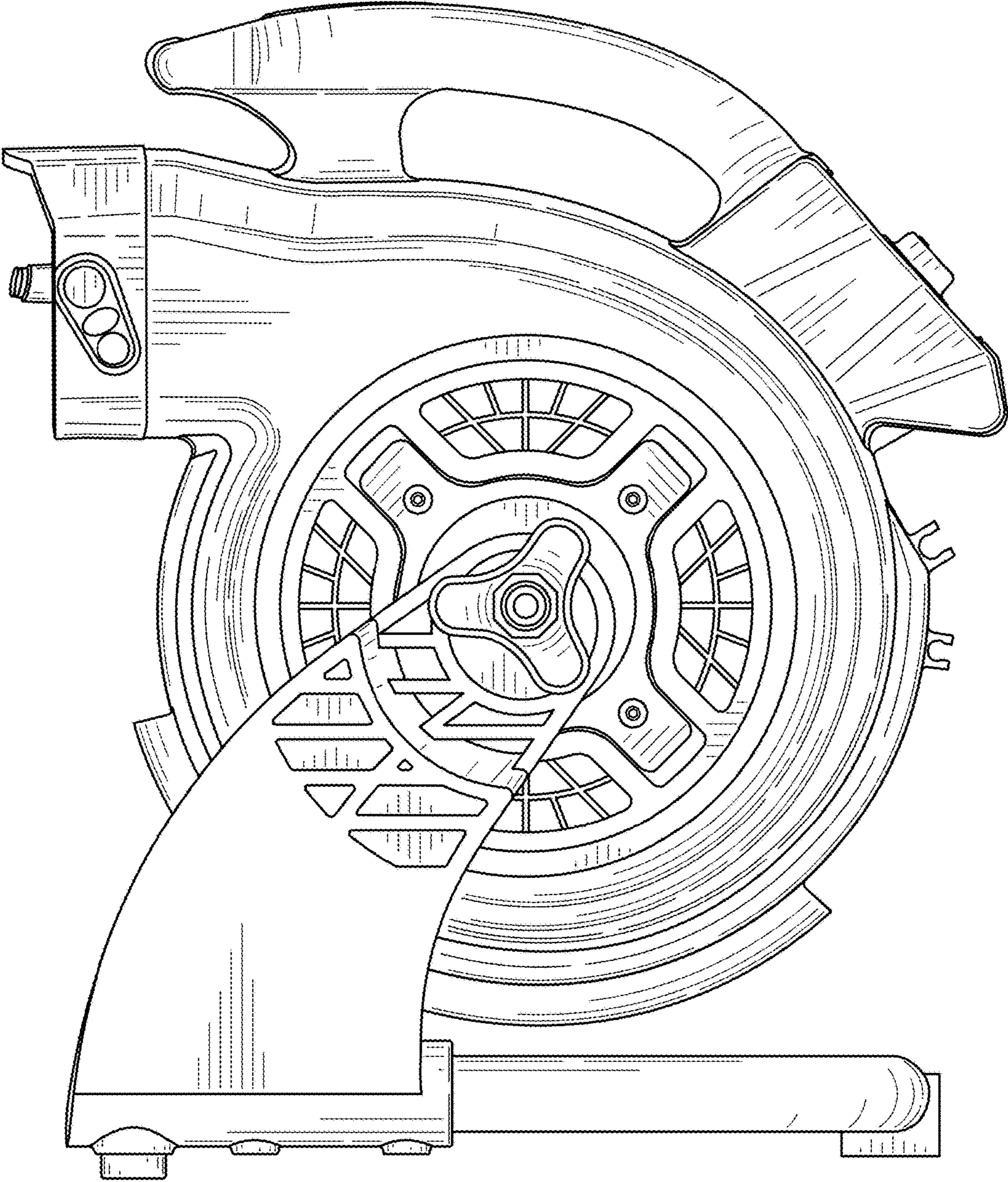


FIG. 4

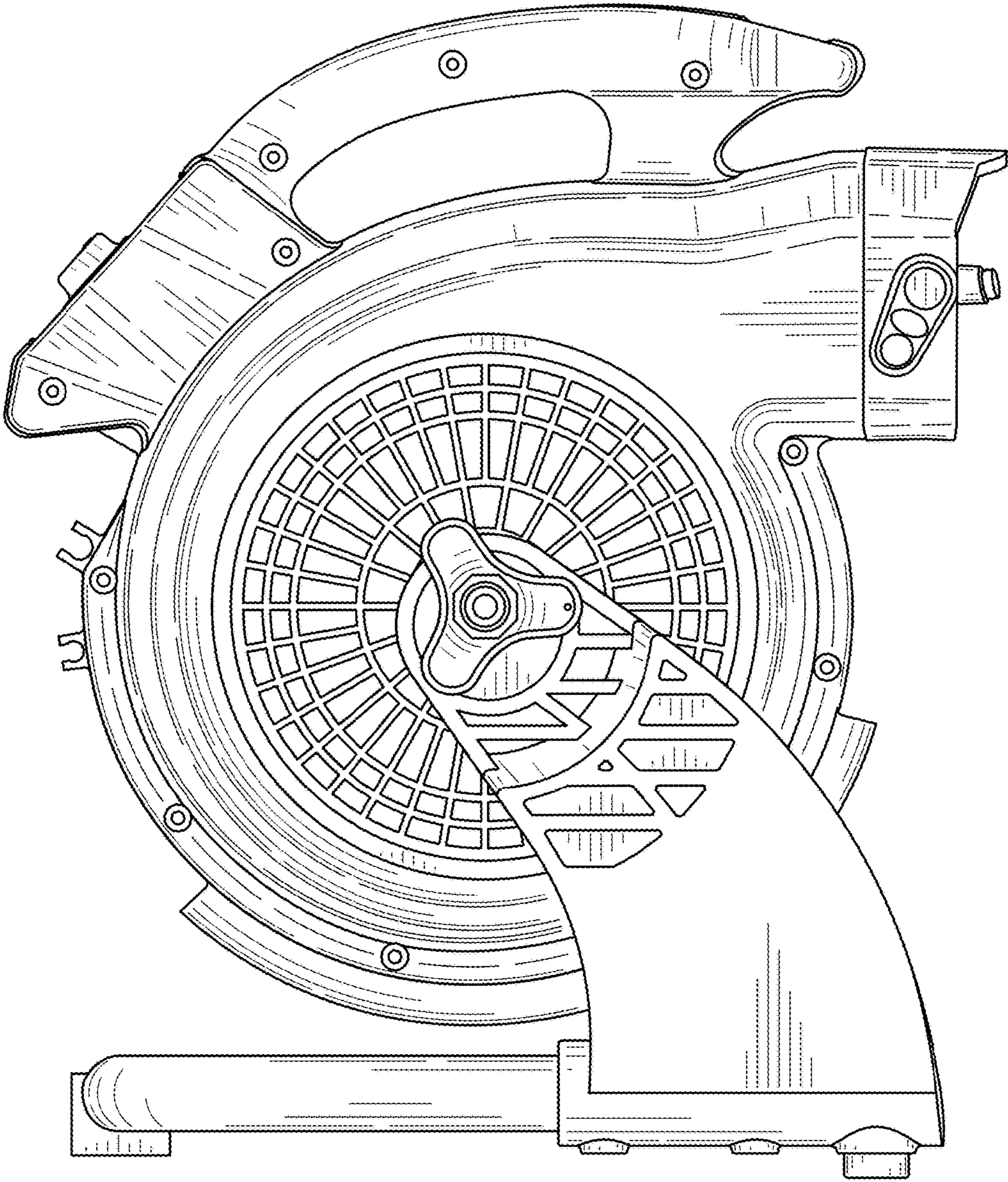


FIG. 5

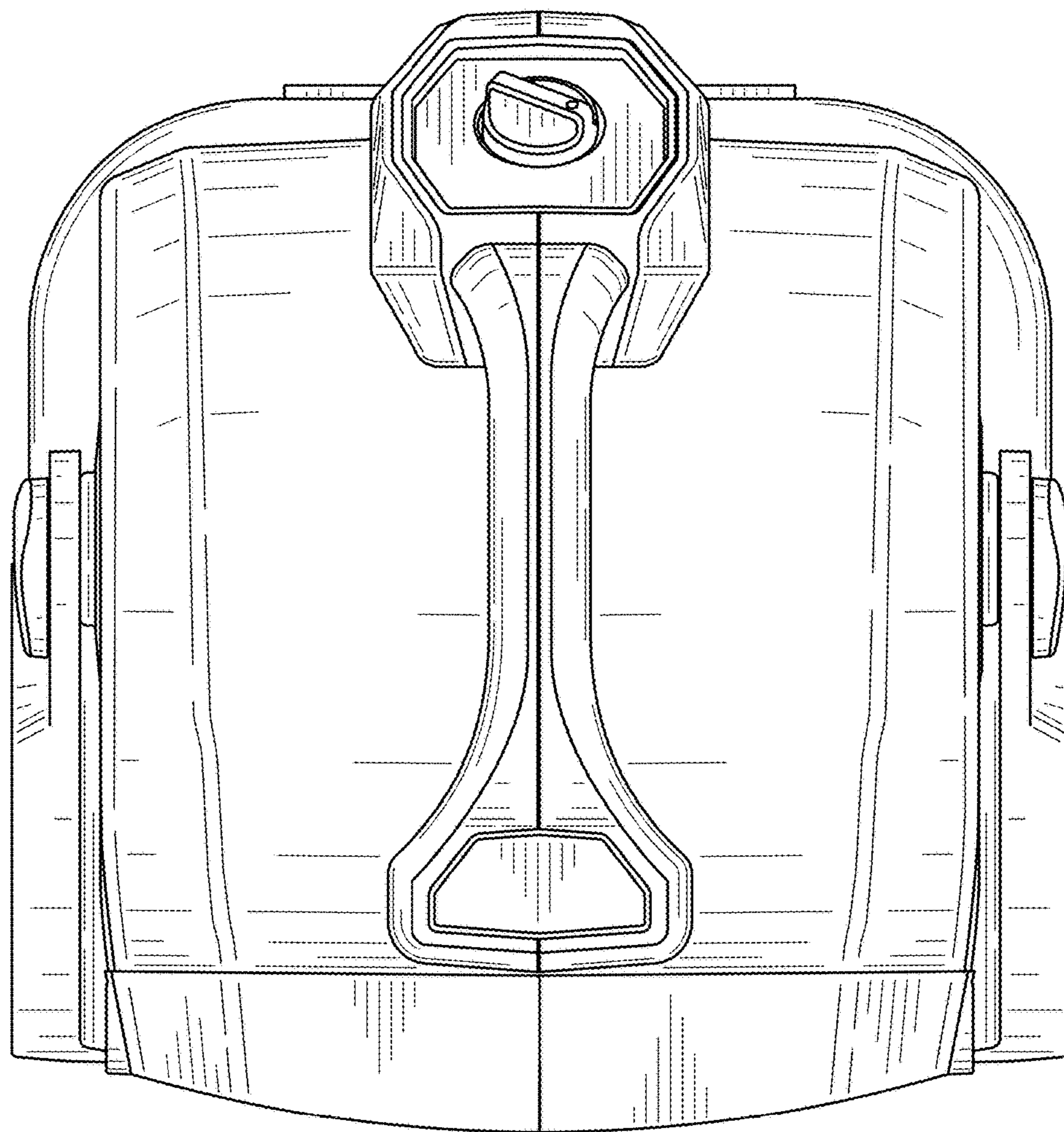


FIG. 6

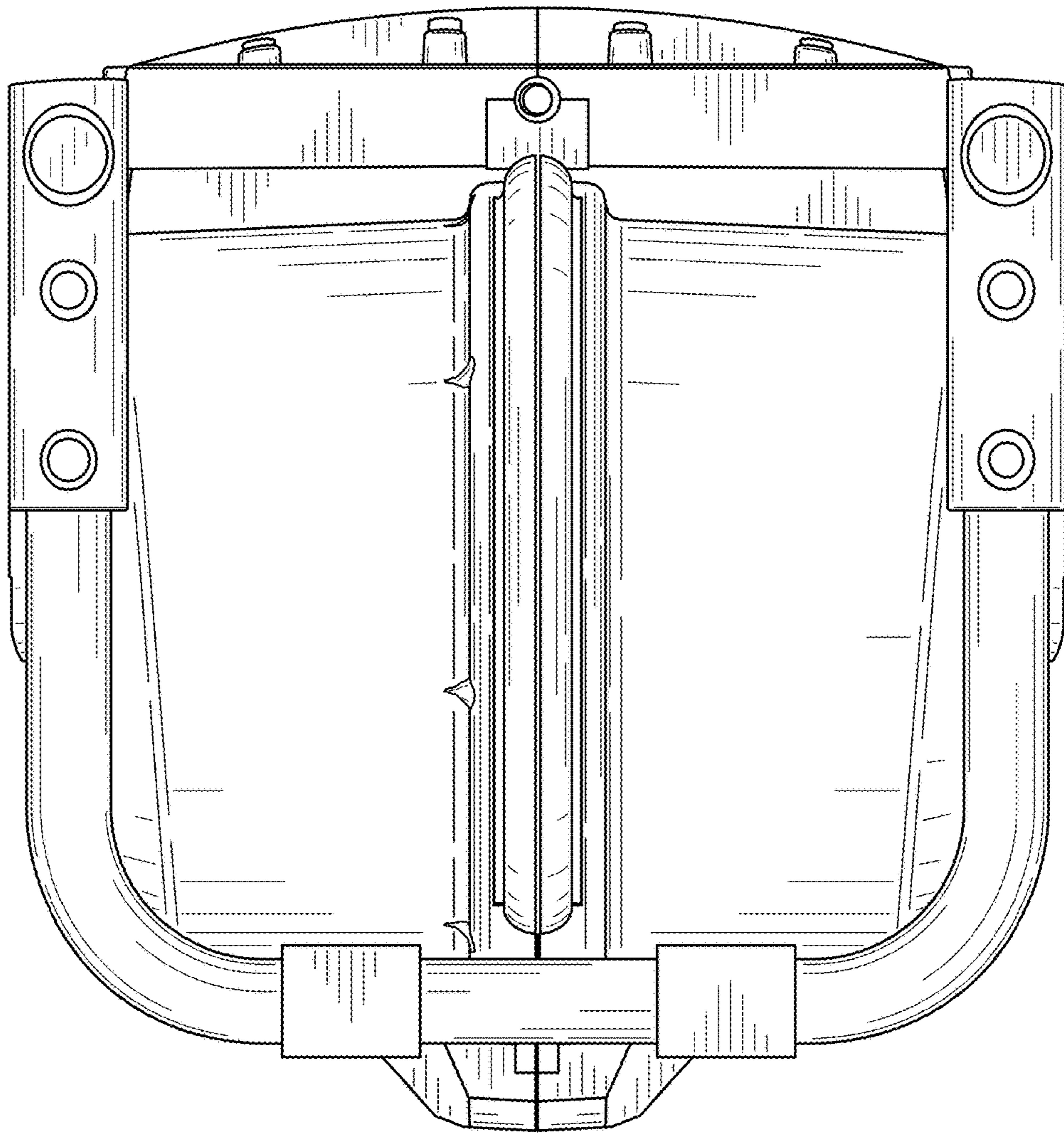


FIG. 7



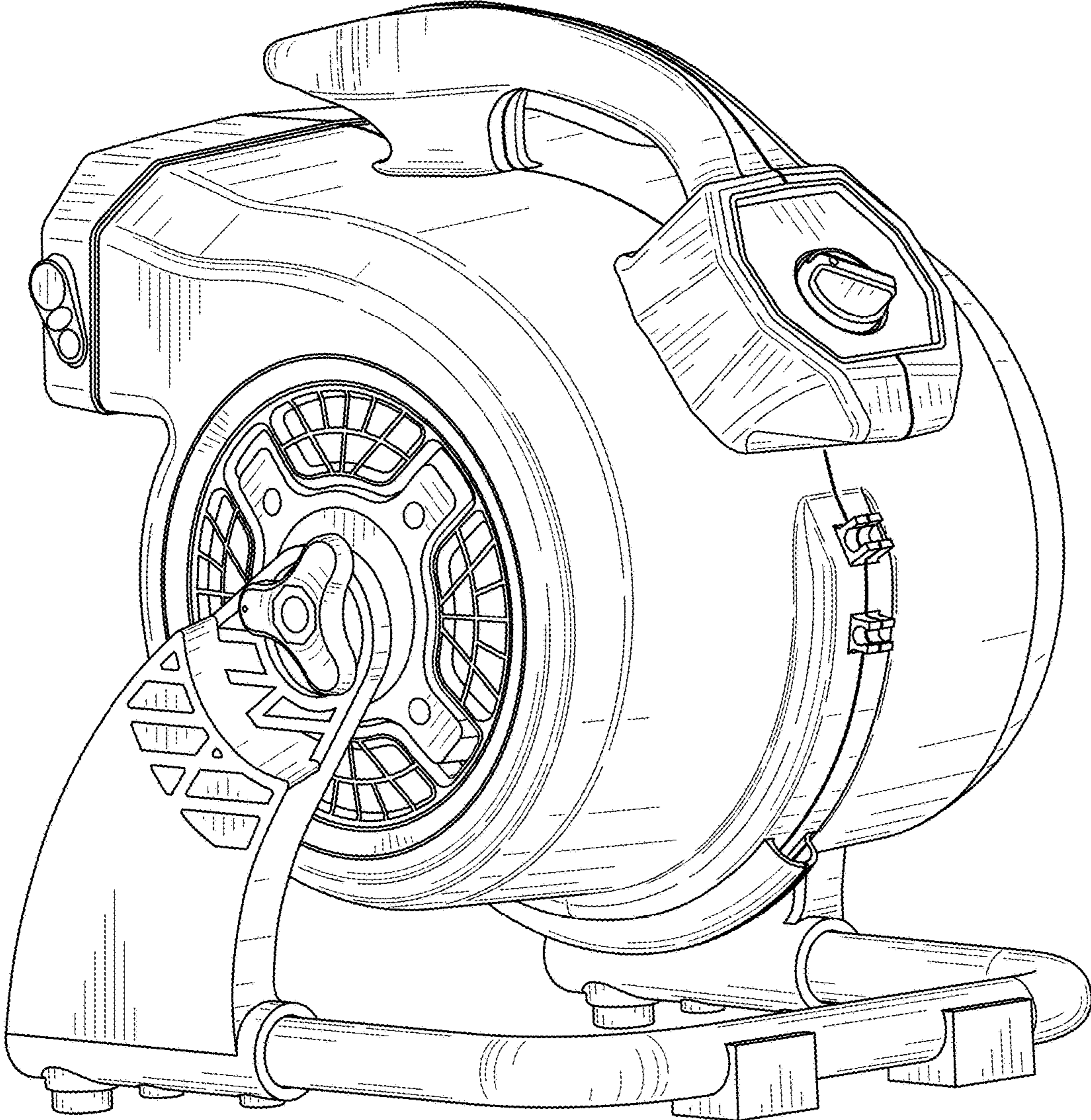


FIG. 8