



US00D837359S

(12) **United States Design Patent**  
**Thimmareddy et al.**

(10) **Patent No.:** **US D837,359 S**  
(45) **Date of Patent:** **\*\* Jan. 1, 2019**

(54) **INNER SHIELD FOR AN HVAC BURNER**  
(71) Applicant: **Lennox Industries Inc.**, Richardson,  
TX (US)  
(72) Inventors: **Ashoka Thimmareddy**, Chennai (IN);  
**Nagarajan Rajendran**, Chennai (IN);  
**Glenn W. Kowald**, Carrollton, TX  
(US); **Sailendra Meduri**, Chennai (IN);  
**Abdul Rehman Rajkafur**, Chennai  
(IN)

5,267,550 A \* 12/1993 Jang ..... F24C 15/20  
126/299 D  
D344,658 S \* 3/1994 Arkoosh, Jr. .... D7/359  
5,776,532 A \* 7/1998 Wang ..... A21B 3/13  
426/511  
5,851,484 A \* 12/1998 Forno ..... A61L 2/26  
422/28  
5,899,686 A \* 5/1999 Carbone ..... F23D 14/04  
126/91 A  
6,193,932 B1 \* 2/2001 Wu ..... A61L 2/07  
206/210

(Continued)

(73) Assignee: **Lennox Industries, Inc.**, Richardson,  
TX (US)

(\*\*) Term: **15 Years**

(21) Appl. No.: **29/588,077**

(22) Filed: **Dec. 18, 2016**

(51) **LOC (11) Cl.** ..... **23-02**

(52) **U.S. Cl.**  
USPC ..... **D23/372**

(58) **Field of Classification Search**  
USPC ..... D7/554.1, 554.3; D23/284, 290, 293.1,  
D23/323, 335, 336, 350, 370-372, 380,  
D23/382, 387, 395, 397, 399, 400, 405,  
D23/411, 412; D26/51, 59, 81-86;  
55/442-444, 501; 126/299 D, 299 E,  
126/299 F, 299 R, 300, 301, 312;  
D6/300-302, 308, 310, 312, 322; D11/7,  
D11/25, 85; D24/183-186; D30/199;  
D13/168, 110, 108, 156, 162; D8/366  
CPC ..... F02F 11/02; F23D 14/04; F23D 14/48;  
F23D 14/58; H04M 1/0202; H04M  
1/0283; H04M 1/0279; H04M 1/0281;  
G06F 1/1613; G06F 15/00; A63H  
33/3016

See application file for complete search history.

(56) **References Cited**

**U.S. PATENT DOCUMENTS**

D268,835 S \* 5/1983 Pennington ..... D13/169  
D270,703 S \* 9/1983 El-Hag ..... D7/357

**OTHER PUBLICATIONS**

“JSbro Stainless Steel Heavy Duty Rectangular . . .” walmart.com.  
Date not available. Accessed Aug. 21, 2018. Available online at  
URL: <<https://www.walmart.com/ip/JSbro-Stainless-Steel-Heavy-Duty-Rectangular-6-25-Lx14-25-Wx1-125-deep-stainless-steel-tray-Magnetic-Screws-Tools-and-Parts-Tray-Holder/174484935>>.\*

(Continued)

*Primary Examiner* — Cathron C Brooks  
*Assistant Examiner* — Christian P. McLean  
(74) *Attorney, Agent, or Firm* — Hubbard Johnston,  
PLLC

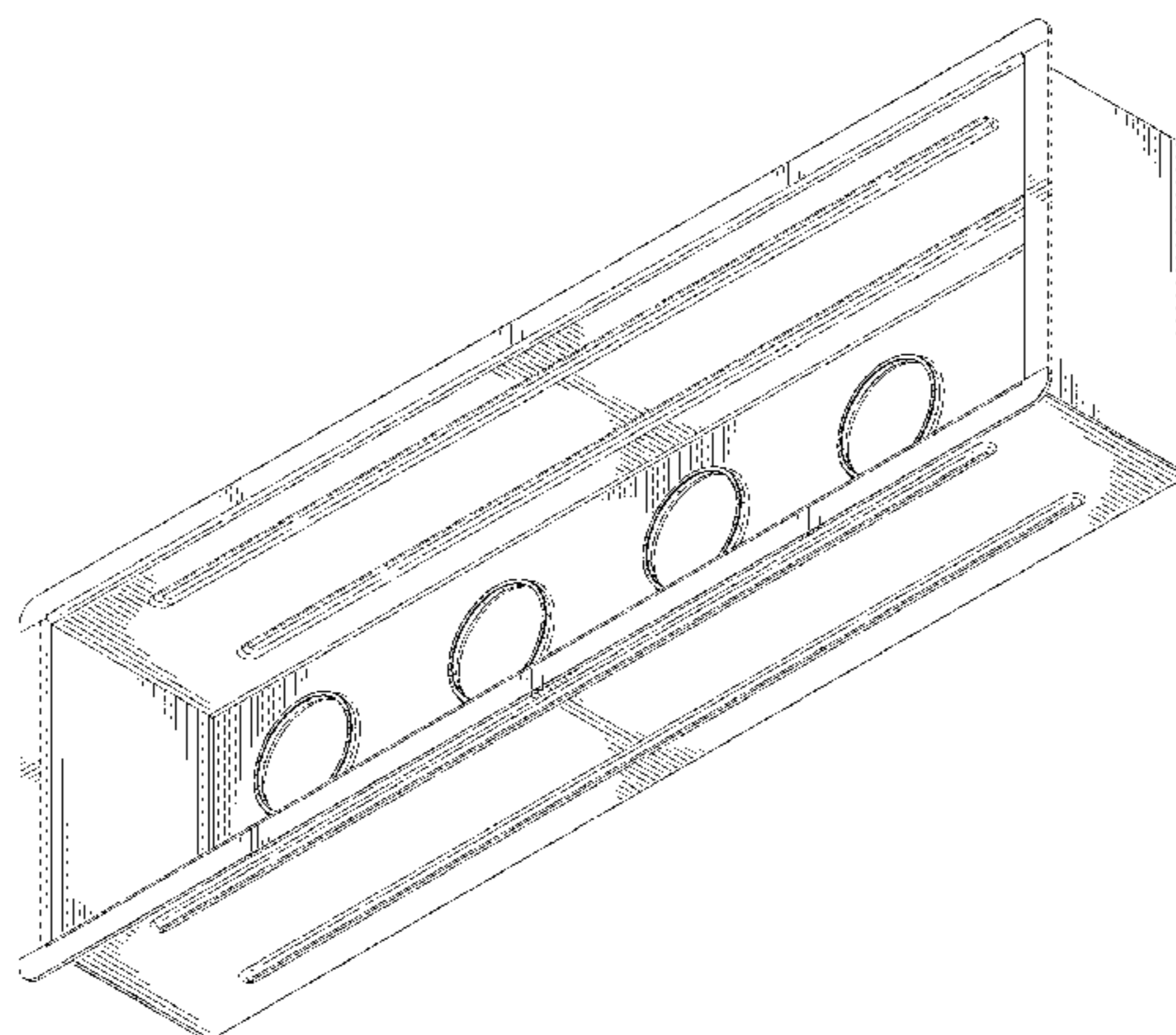
(57) **CLAIM**

The ornamental design for an inner shield for an HVAC  
burner, as shown and described.

**DESCRIPTION**

FIG. 1 is a front perspective view of an inner shield for an  
HVAC burner showing our new design;  
FIG. 2 is a front elevation view thereof;  
FIG. 3 is a rear elevation view thereof;  
FIG. 4 is a right side elevation view thereof;  
FIG. 5 is a left side elevation view thereof;  
FIG. 6 is a top plan view thereof;  
FIG. 7 is a bottom plan view thereof; and,  
FIG. 8 is a rear perspective view thereof.

**1 Claim, 6 Drawing Sheets**



(56)

**References Cited**

## U.S. PATENT DOCUMENTS

D482,764 S \* 11/2003 Genslak ..... D23/293.1  
D489,226 S \* 5/2004 De Neubourg ..... D7/554.3  
D493,256 S \* 7/2004 Kim ..... D24/230  
D538,409 S \* 3/2007 Gross ..... D23/293.1  
D613,393 S \* 4/2010 Dorsey ..... D23/397  
D689,327 S \* 9/2013 Ortegon ..... D7/354  
D694,393 S \* 11/2013 Funnell, II ..... D23/372  
D708,309 S \* 7/2014 Kurth ..... D23/293.1  
D711,939 S \* 8/2014 Bakker, Jr. .... D15/89  
9,970,679 B2 \* 5/2018 Noman ..... F24H 9/0068  
2014/0159319 A1 \* 6/2014 Yasuda ..... F02F 11/002  
277/591

## OTHER PUBLICATIONS

“David CHef Series Undermount . . .” homedepot.com. Reviewed Sep. 20, 2016. Accessed Aug. 21, 2018. Available online at URL: <<https://www.homedepot.com/p/SINKOLOGY-David-Chef-Series-Undermount-Copper-Sink-31-in-0-Hole-Ergonomic-Single-Bowl-Kitchen-Sink-in-Hammered-Antique-Copper-SK203-31AC-RD/207182047>>.\*

“Eaton Push Button Enclosure.” uk.rs-online.com. Date not available. Accessed Aug. 21, 2018. Available online at URL: <<https://uk.rs-online.com/web/p/push-button-control-station-enclosures/3993854>>.\*

\* cited by examiner

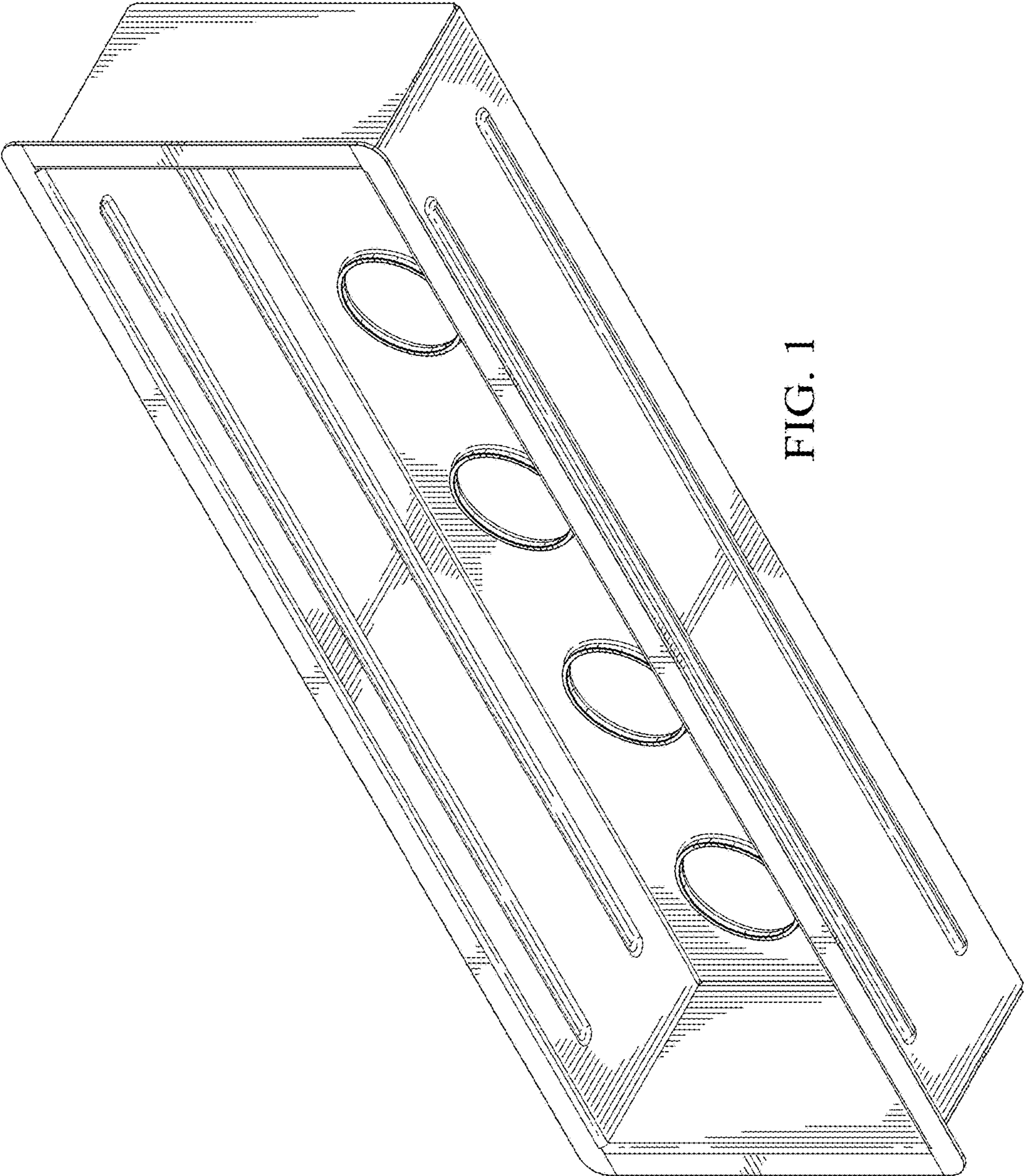


FIG. 1

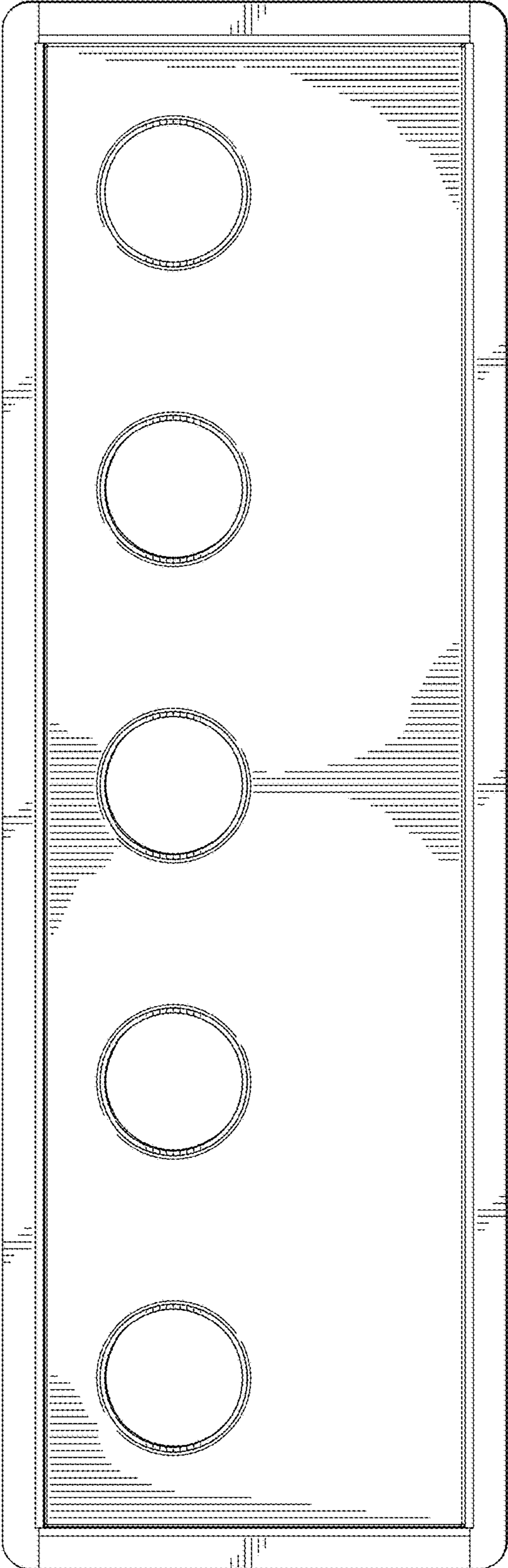


FIG. 2

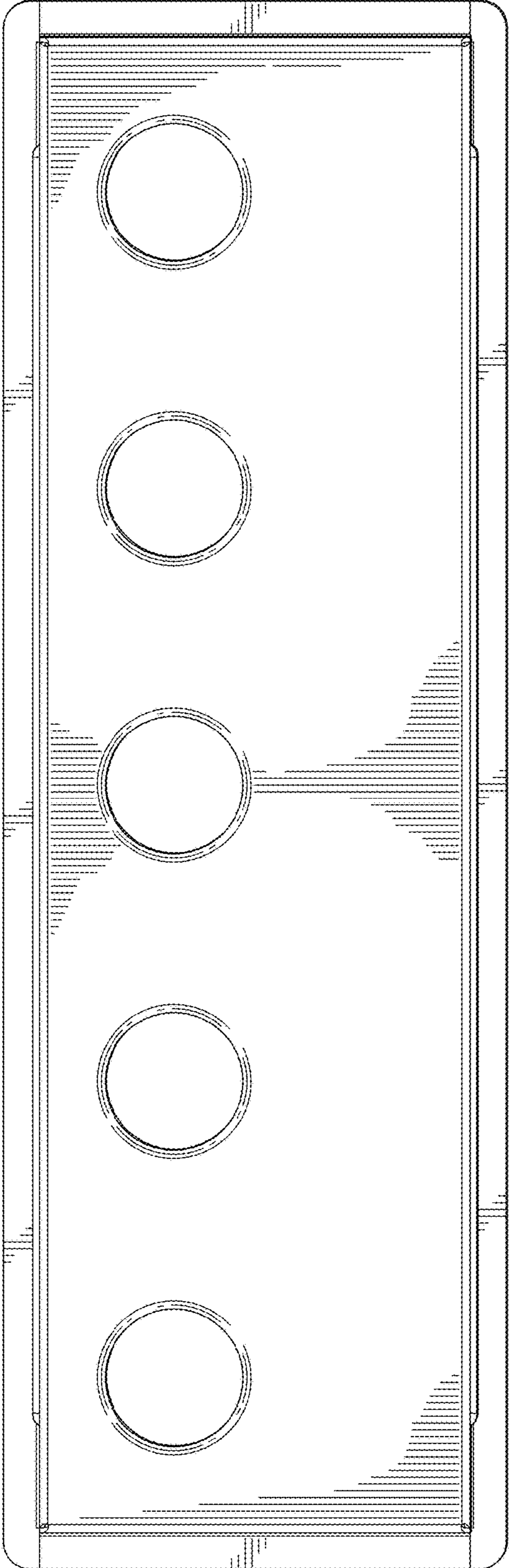


FIG. 3



FIG. 5

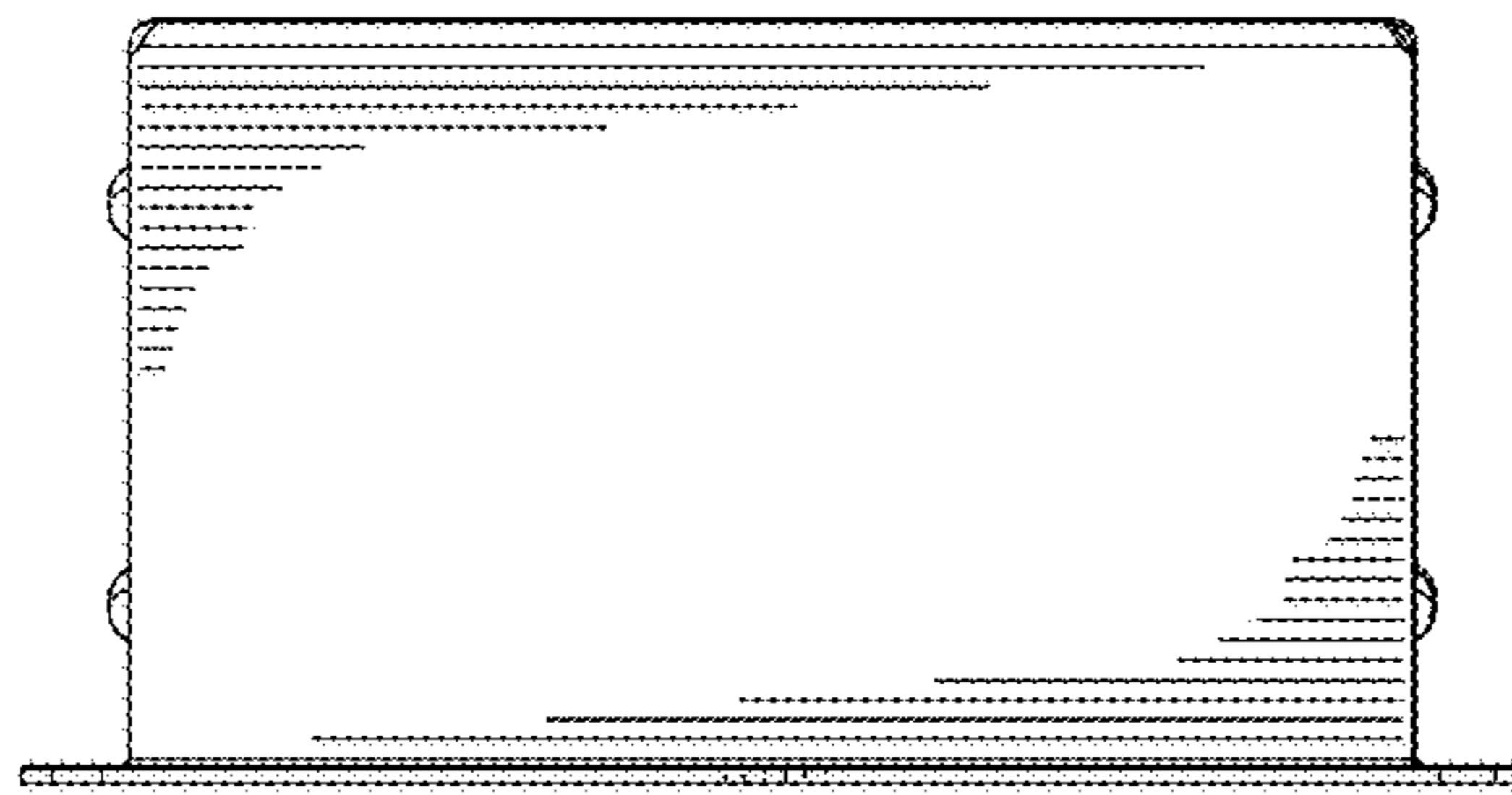


FIG. 4

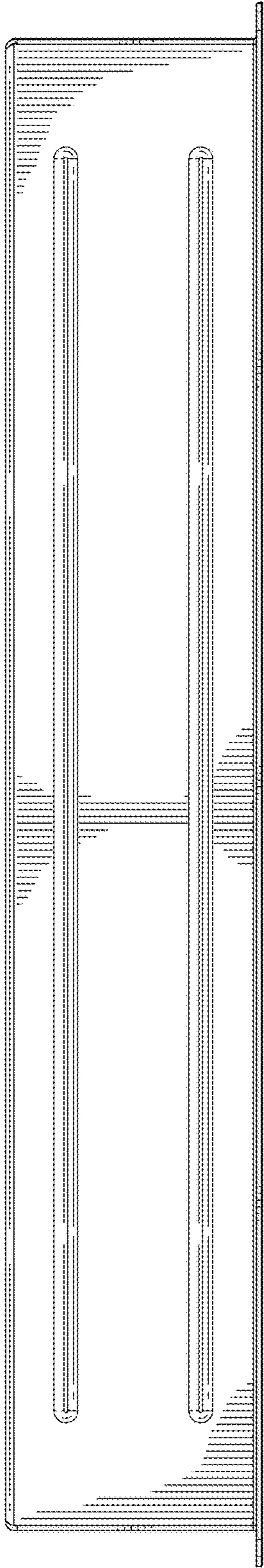


FIG. 6

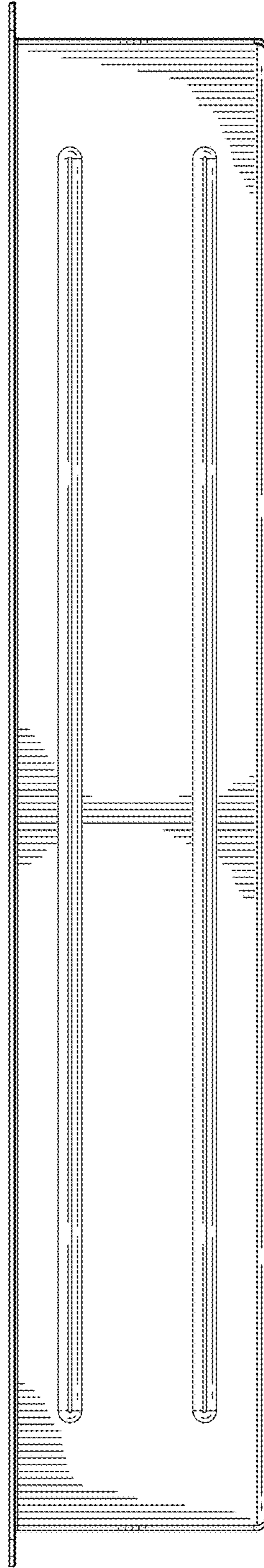


FIG. 7

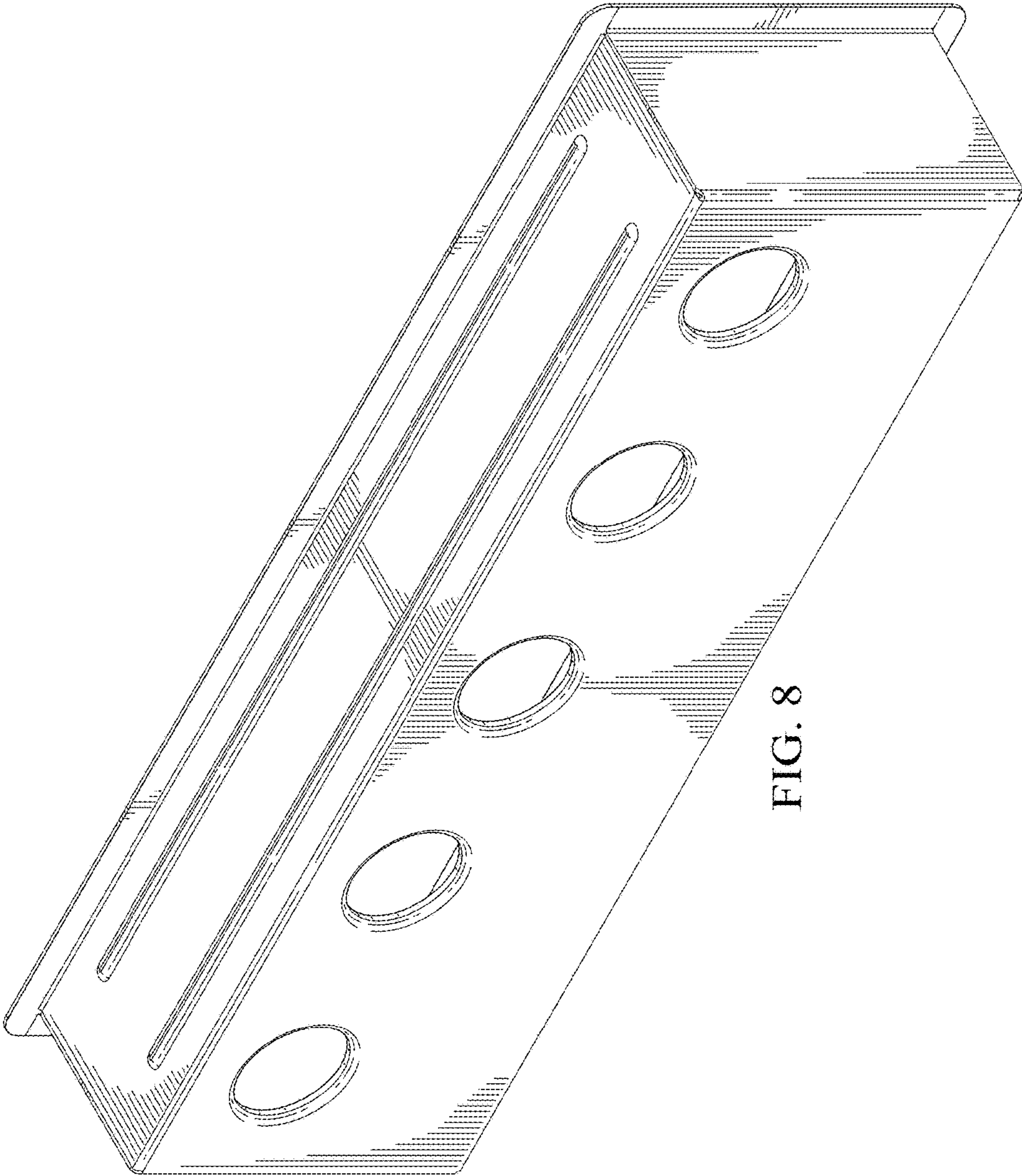


FIG. 8