



US00D837351S

(12) **United States Design Patent**  
**Dobi**

(10) **Patent No.:** **US D837,351 S**  
(45) **Date of Patent:** **\*\* Jan. 1, 2019**

(54) **COMBINED BOILER LOW WATER CUTOFF AND PUMP CONTROLLER BOTTLE**

(71) Applicant: **Pityu Controls Inc.**, Edmonton (CA)

(72) Inventor: **Stevan Dobi**, Edmonton (CA)

(73) Assignee: **Pityu Controls Inc.**, Edmonton (CA)

(\*\*) Term: **15 Years**

(21) Appl. No.: **29/585,002**

(22) Filed: **Nov. 18, 2016**

(30) **Foreign Application Priority Data**

May 20, 2016 (CA) ..... 168528

(51) **LOC (11) Cl.** ..... **23-03**

(52) **U.S. Cl.**

USPC ..... **D23/322**

(58) **Field of Classification Search**

USPC ..... D23/233, 235, 241, 242, 245, 246, 249,  
D23/314, 318, 319, 321, 322; 122/448.1,  
122/451 R, 448.3, 504, 451.2, 14.22,  
122/14.3, 382, 451.1, 558, 415, 507,  
122/13.01, 14.2, 447; 137/312, 420, 392,  
137/41, 487.5, 451 R, 290 R; 236/20 R;  
73/790 R, 487.5

CPC ..... F16K 19/003; F16K 31/002; F16K 37/00;  
F16K 11/072; F16K 27/07; F16K  
37/0091

See application file for complete search history.

(56) **References Cited**

**U.S. PATENT DOCUMENTS**

1,455,211 A \* 5/1923 Kelly ..... F22D 5/10  
137/415  
4,684,061 A \* 8/1987 Subherwal ..... F23N 1/085  
236/20 R  
D367,703 S \* 3/1996 Myers ..... D23/322

7,424,896 B1 \* 9/2008 Martin ..... F16K 31/001  
137/312  
7,992,527 B2 \* 8/2011 Merwin ..... F22B 37/46  
137/392  
8,006,714 B1 \* 8/2011 Martin ..... A47L 15/421  
137/312  
8,069,723 B2 \* 12/2011 Wells ..... G01F 23/0046  
73/290 R  
2006/0124078 A1 \* 6/2006 Merwin ..... F22B 37/46  
122/451 R

(Continued)

**OTHER PUBLICATIONS**

“McDonnell and Miller (a Xylem brand) Control Components,”  
Miranda, Australia, <<https://web.archive.org/web/20160229233644/http://www.controlcomponents.com.au/products/brand/1>> [retrieved  
Feb. 29, 2016], 5-page brochure.

*Primary Examiner* — Cynthia Ramirez

*Assistant Examiner* — Gino Colan

(74) *Attorney, Agent, or Firm* — Christensen O’Connor  
Johnson Kindness PLLC

(57) **CLAIM**

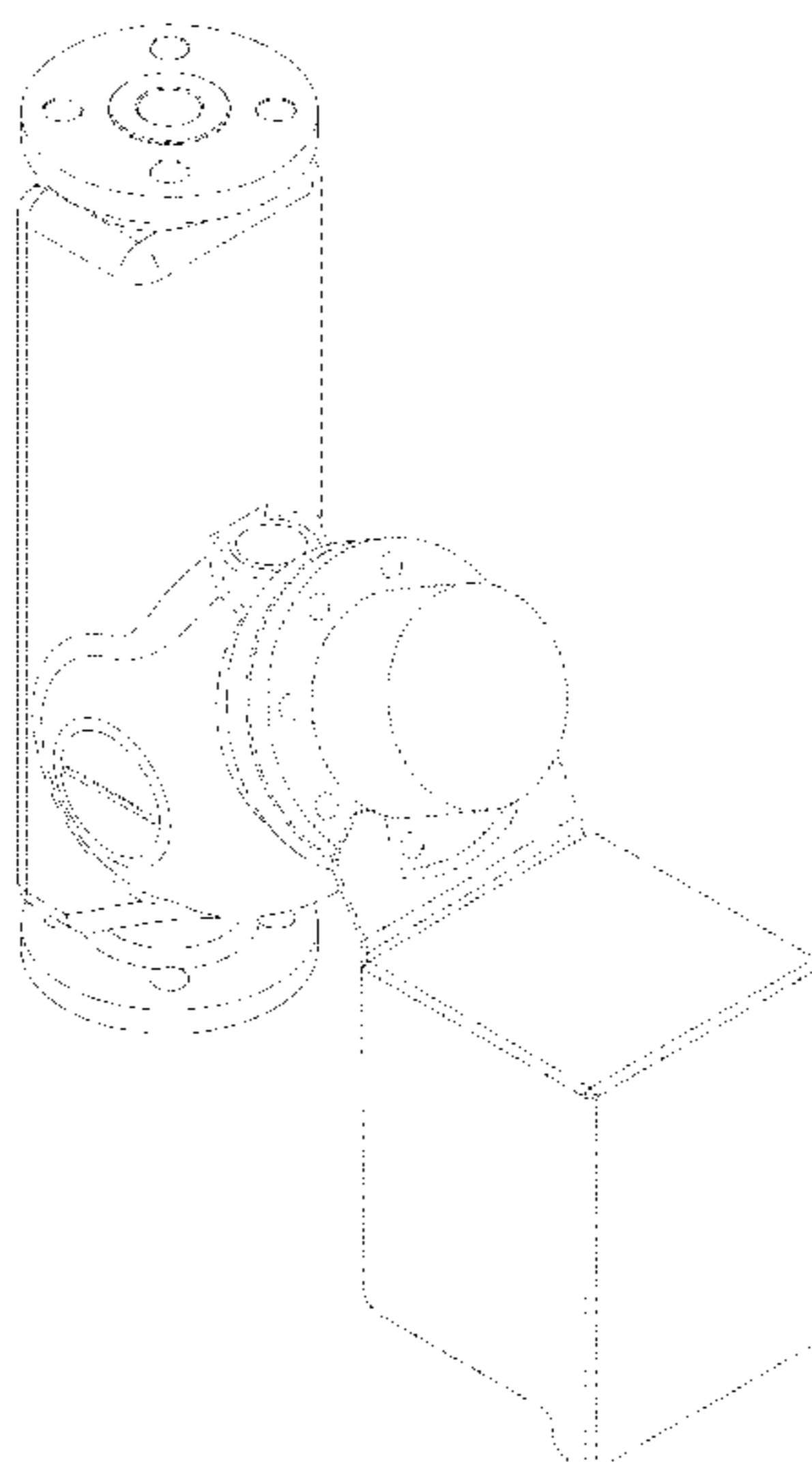
The ornamental design for a combined boiler low water  
cutoff and pump controller bottle, as shown and described.

**DESCRIPTION**

FIG. 1 is a perspective view of a combined boiler low water  
cutoff and pump controller bottle showing my new design;  
FIG. 2 is another perspective view thereof;  
FIG. 3 is a right side elevation view thereof;  
FIG. 4 is a front elevation view thereof;  
FIG. 5 is a left side elevation view thereof  
FIG. 6 is a rear elevation view thereof;  
FIG. 7 is a top plan view thereof; and,  
FIG. 8 is a bottom plan view thereof.

The broken lines shown in the Figures illustrate portions of  
the combined boiler low water cutoff and pump controller  
bottle that form no part of the claimed design.

**1 Claim, 7 Drawing Sheets**



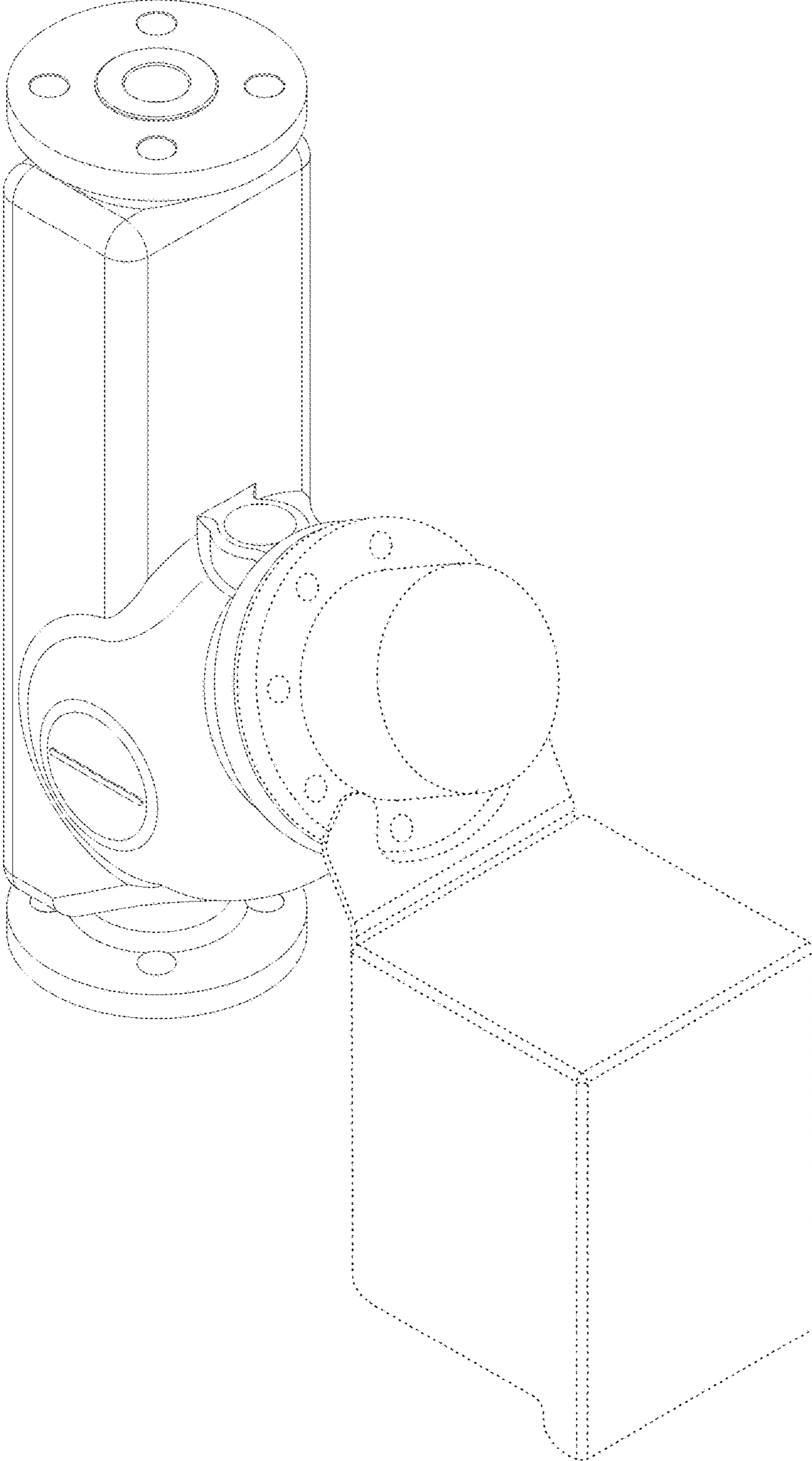
(56)

**References Cited**

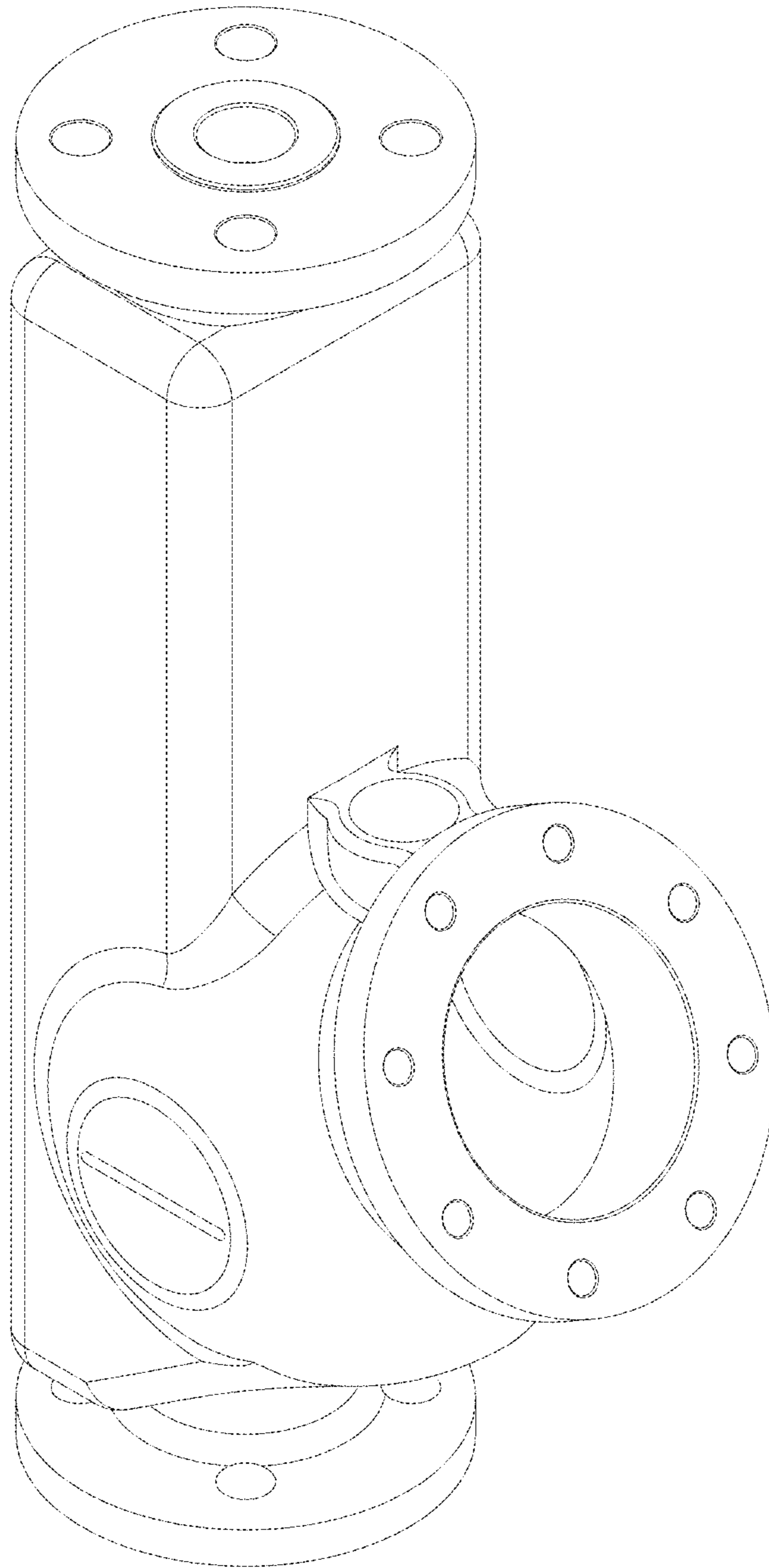
U.S. PATENT DOCUMENTS

2012/0048396 A1 \* 3/2012 Takemoto ..... F15B 19/005  
137/487.5

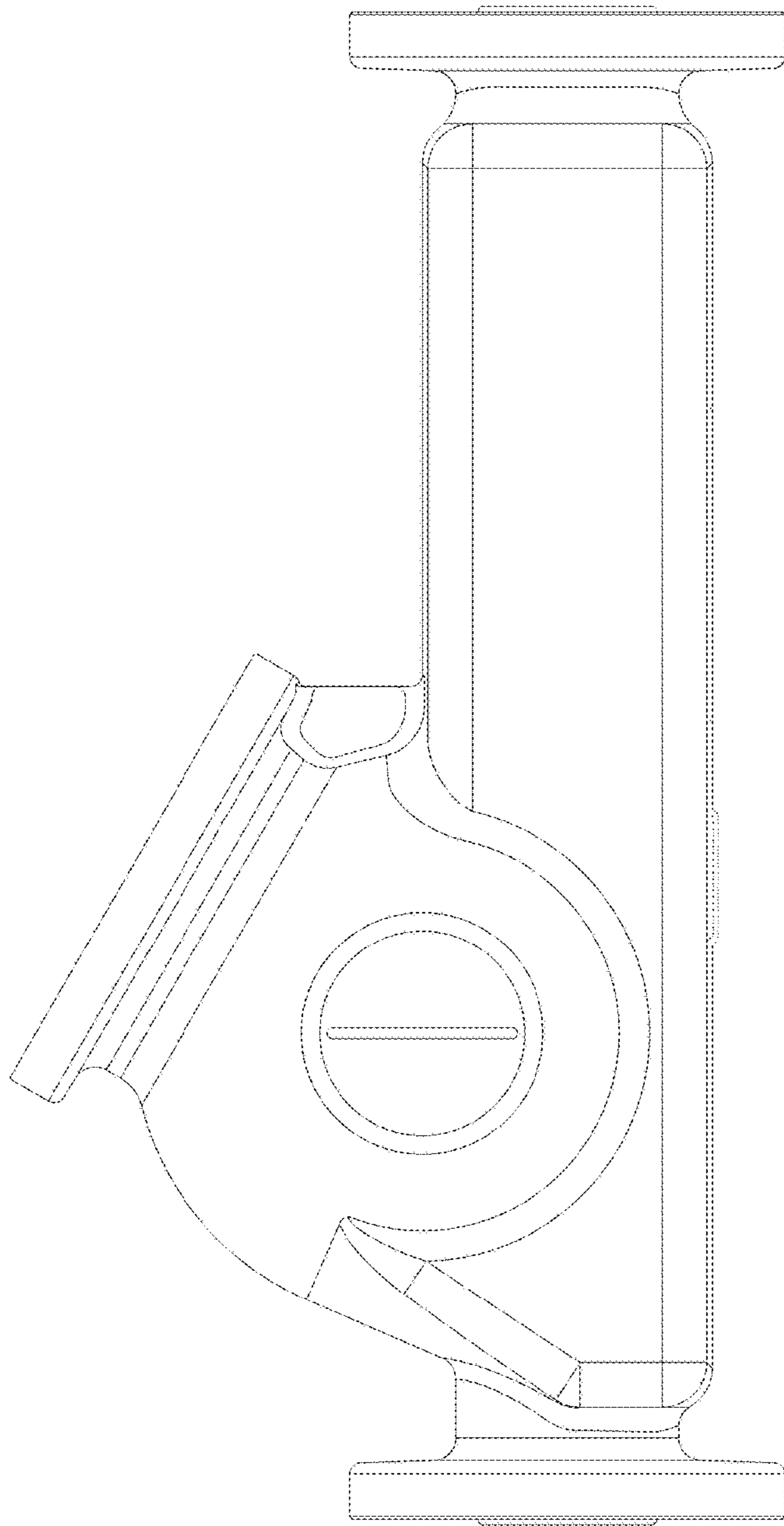
\* cited by examiner



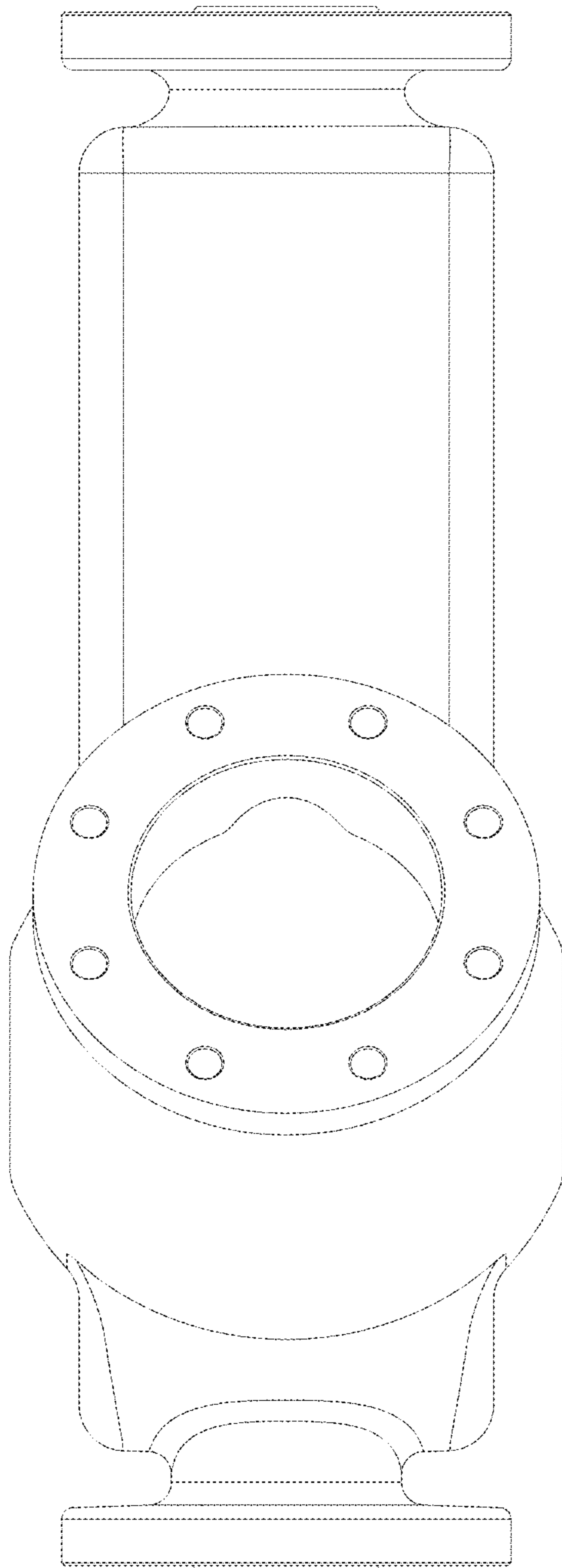
**Fig. 1**



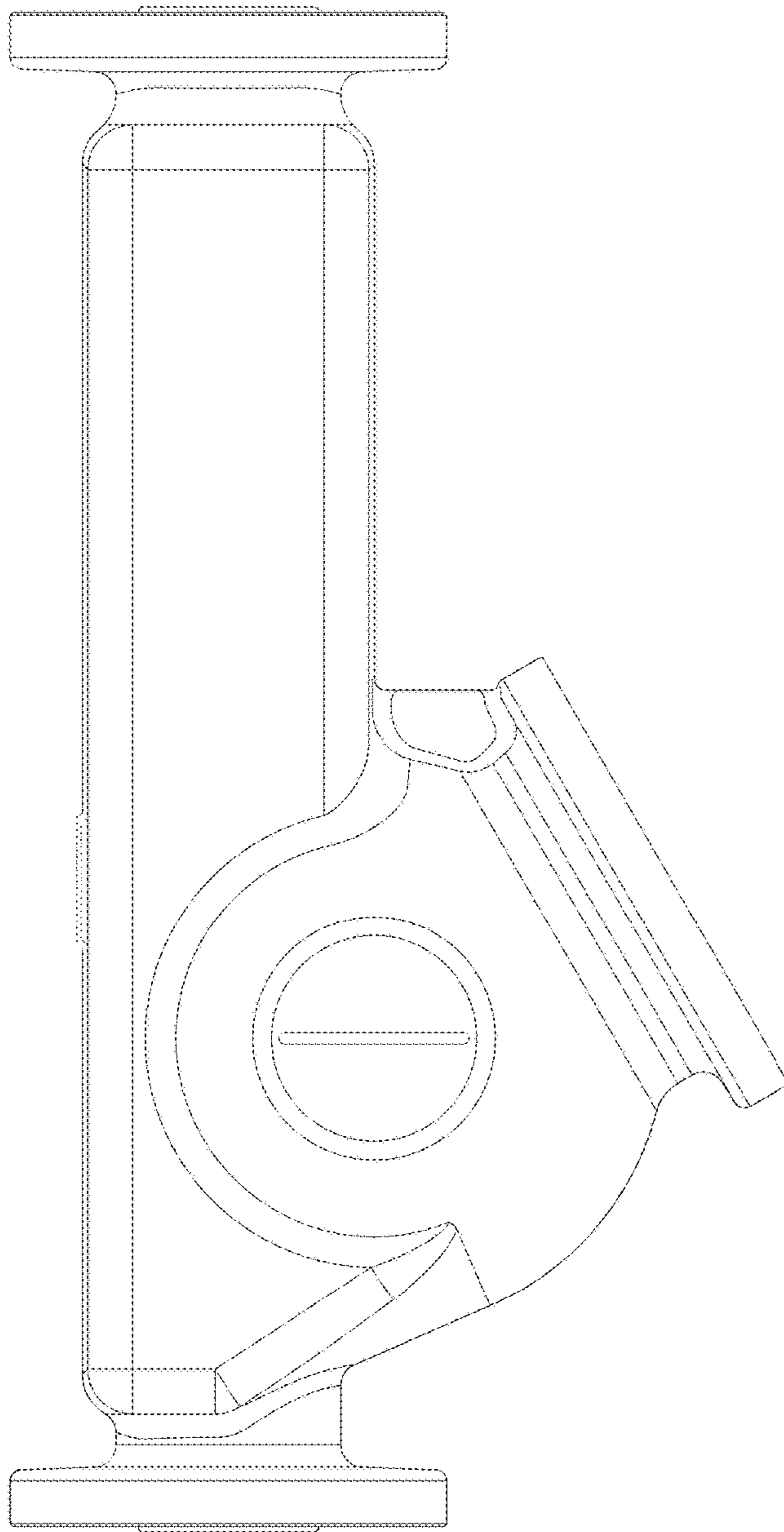
**Fig. 2**



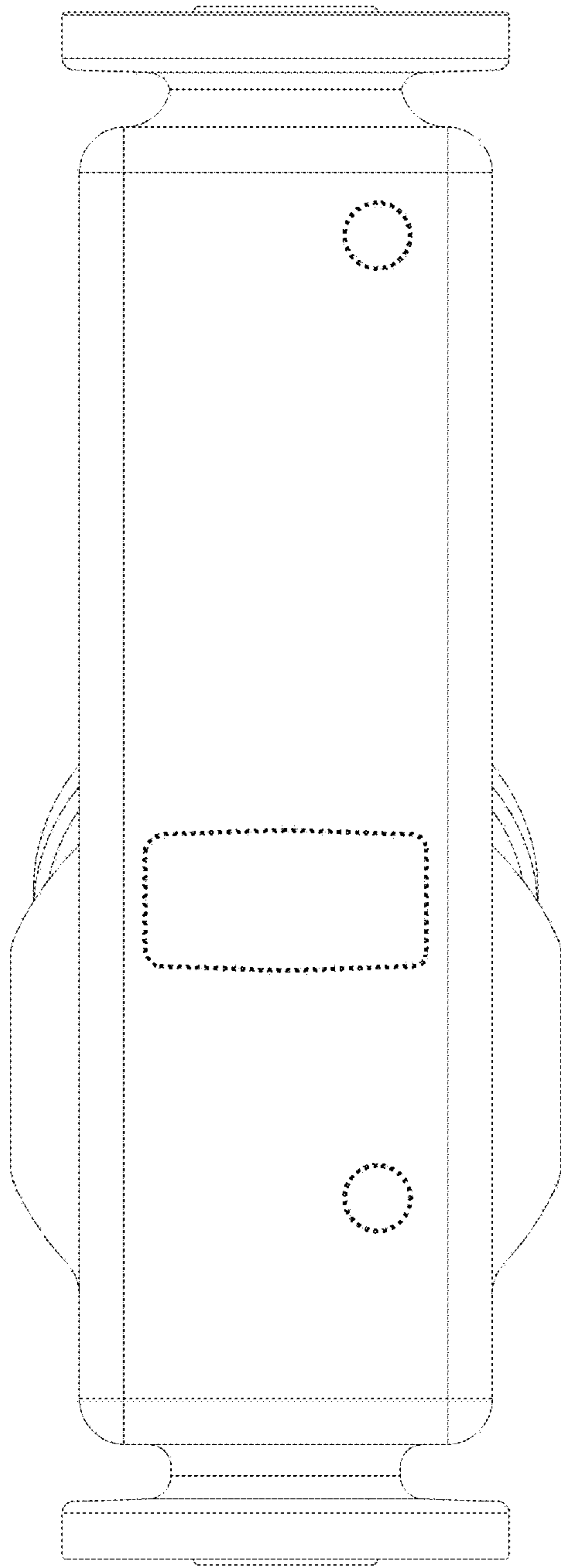
**Fig. 3**



**Fig. 4**

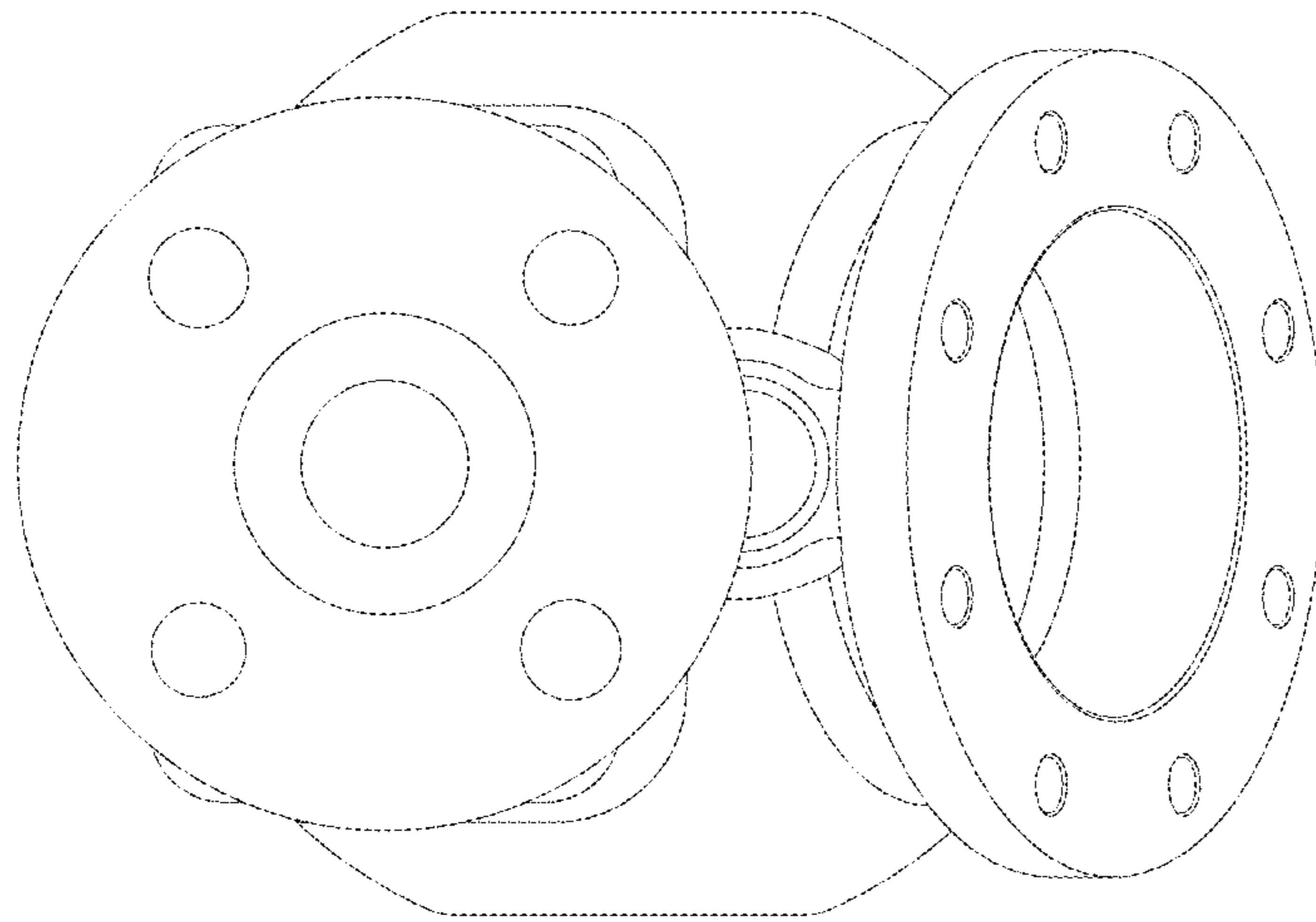


**Fig. 5**

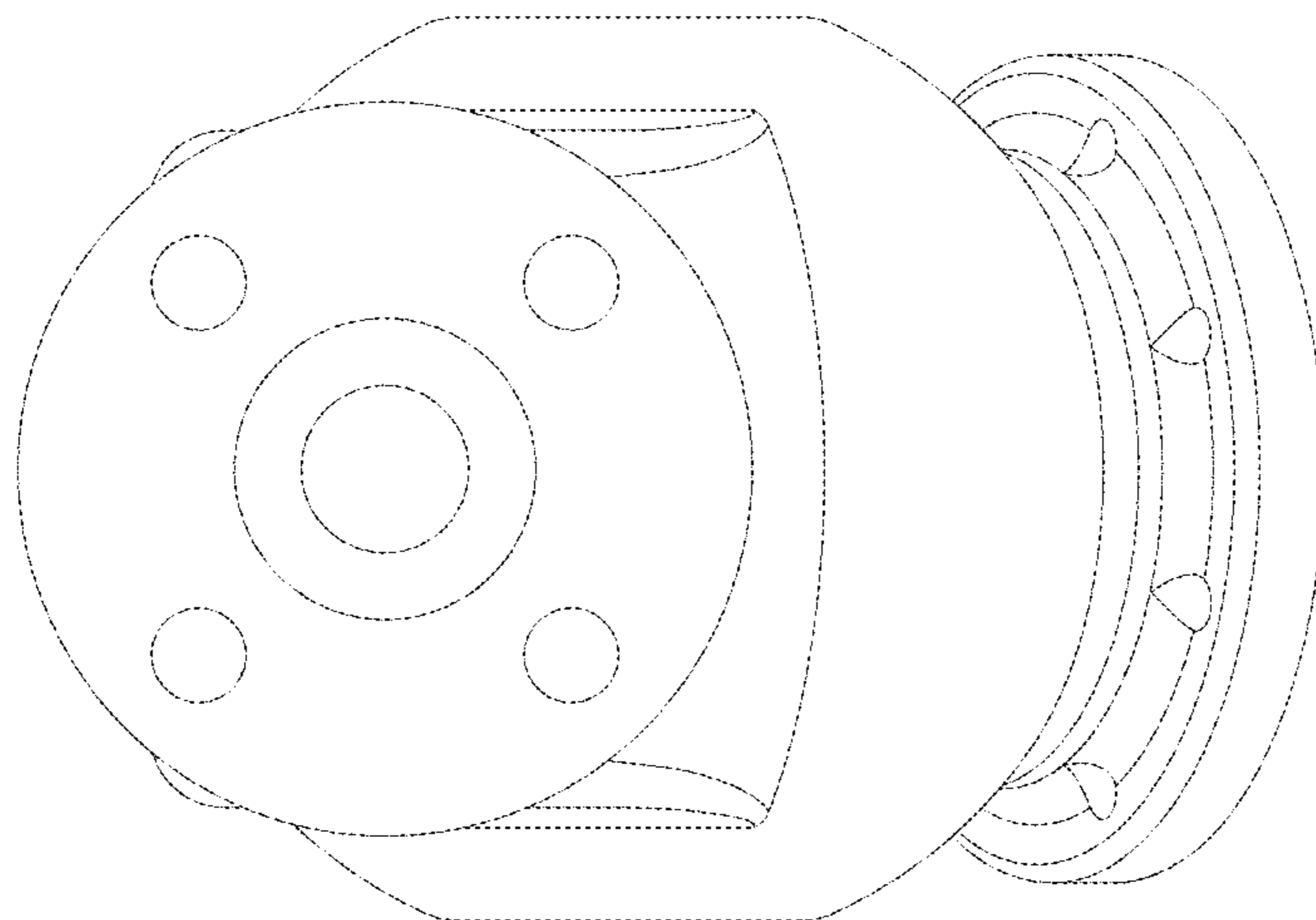


**Fig. 6**





**Fig. 7**



**Fig. 8**