



US00D837350S

(12) **United States Design Patent** (10) **Patent No.:** **US D837,350 S**
L'Henaff et al. (45) **Date of Patent:** **** Jan. 1, 2019**

(54) **SINK**

FOREIGN PATENT DOCUMENTS

(71) Applicant: **AS IP Holdco, LLC**, Piscataway, NJ (US)

DE M 98 01 218 9/1998

(72) Inventors: **Jean-Jacques L'Henaff**, New Canaan, CT (US); **Christophe Bucher**, Hillsborough, NJ (US); **Jacob Nitz**, Brooklyn, NY (US)

OTHER PUBLICATIONS

(73) Assignee: **AS IP Holdco, LLC**, Piscataway, NJ (US)

Office Action dated Oct. 30, 2017, directed to CN Application No. 201730296059.4; 2 pages.

Notification to Grant Patent Right and to Go Through Formalities of Registration dated Feb. 7, 2018, directed to CN Application No. 201730296059.4; 6 pages.

Office Action dated Feb. 16, 2018, directed to JP Application No. 2017-014739; 2 pages.

Office Action dated May 22, 2018, directed to BR Application No. BR 30 2017 002765-2; 2 pages.

Notice of Allowance dated Jul. 31, 2018, directed to MX Application No. MX/f/2017/002003; 5 pages.

(**) Term: **15 Years**

(21) Appl. No.: **29/590,274**

(Continued)

(22) Filed: **Jan. 9, 2017**

(51) **LOC (11) Cl.** **23-02**

Primary Examiner — Brandon M Rosati

(52) **U.S. Cl.**

Assistant Examiner — John A Voytek

USPC **D23/287**

(58) **Field of Classification Search**

(74) *Attorney, Agent, or Firm* — Morrison & Foerster LLP

USPC D23/284–293.1, 303, 308; D6/329, 573, D6/657, 663–666, 671, 671.1, 671.4

CPC A47K 1/04; A47B 77/06; A47J 47/20

See application file for complete search history.

(57) **CLAIM**

The ornamental design for a sink, as shown and described.

(56) **References Cited**

DESCRIPTION

U.S. PATENT DOCUMENTS

D463,538 S	*	9/2002	Chipperfield	D23/284
D499,468 S	*	12/2004	Trepanier	D23/286
D508,984 S	*	8/2005	Gordon	D23/293.1
D560,773 S	*	1/2008	Kitzmilller	D23/289
D578,184 S	*	10/2008	Kitzmilller	D23/287
D602,133 S	*	10/2009	Soulier	D23/284
D624,992 S	*	10/2010	Maitre	D23/284
D630,715 S	*	1/2011	Thomas	D23/284
D645,124 S	*	9/2011	Palomba	D23/284
D645,125 S	*	9/2011	Palomba	D23/284
D713,513 S	*	9/2014	Chen	D23/284
D745,122 S	*	12/2015	Schonherr	D23/284
D745,951 S	*	12/2015	Schonherr	D23/284

FIG. 1 is a front, top and left side perspective view of a sink showing the new design;

FIG. 2 is a front elevational view thereof;

FIG. 3 is a rear elevational view thereof;

FIG. 4 is a left side elevational view thereof;

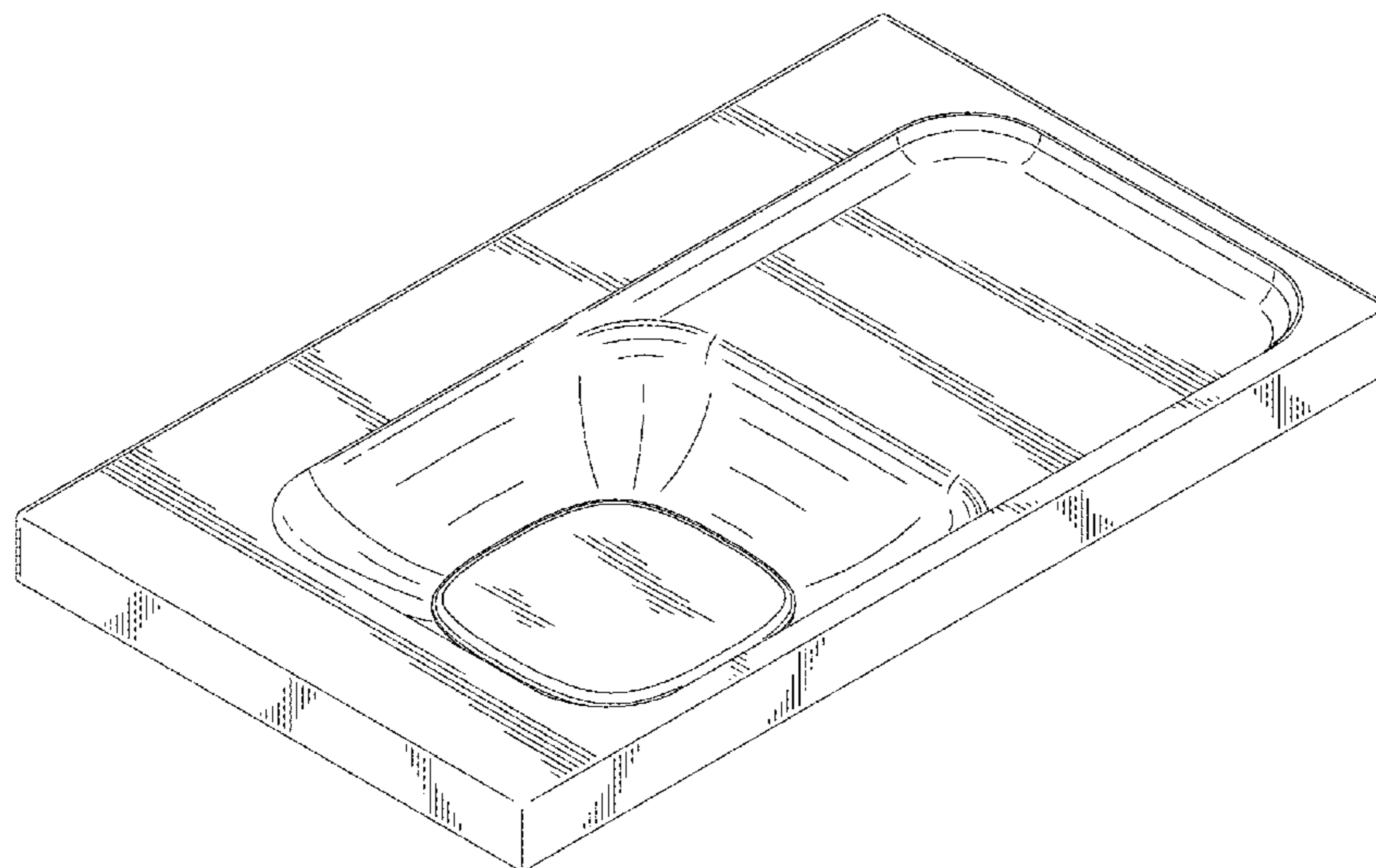
FIG. 5 is a right side elevational view thereof;

FIG. 6 is a top plan view thereof; and,

FIG. 7 is a bottom plan view thereof.

The features shown in broken lines form no part of the claimed design.

1 Claim, 4 Drawing Sheets



(56)

References Cited

OTHER PUBLICATIONS

Decision to Grant a Design dated Jun. 22, 2018, directed to JP Application No. 2017-014739; 6 pages.
Interni. (Sep. 2001). "Furnishing Systems and Appliances" *Interni Annual Cucina 2001*; 110.

* cited by examiner

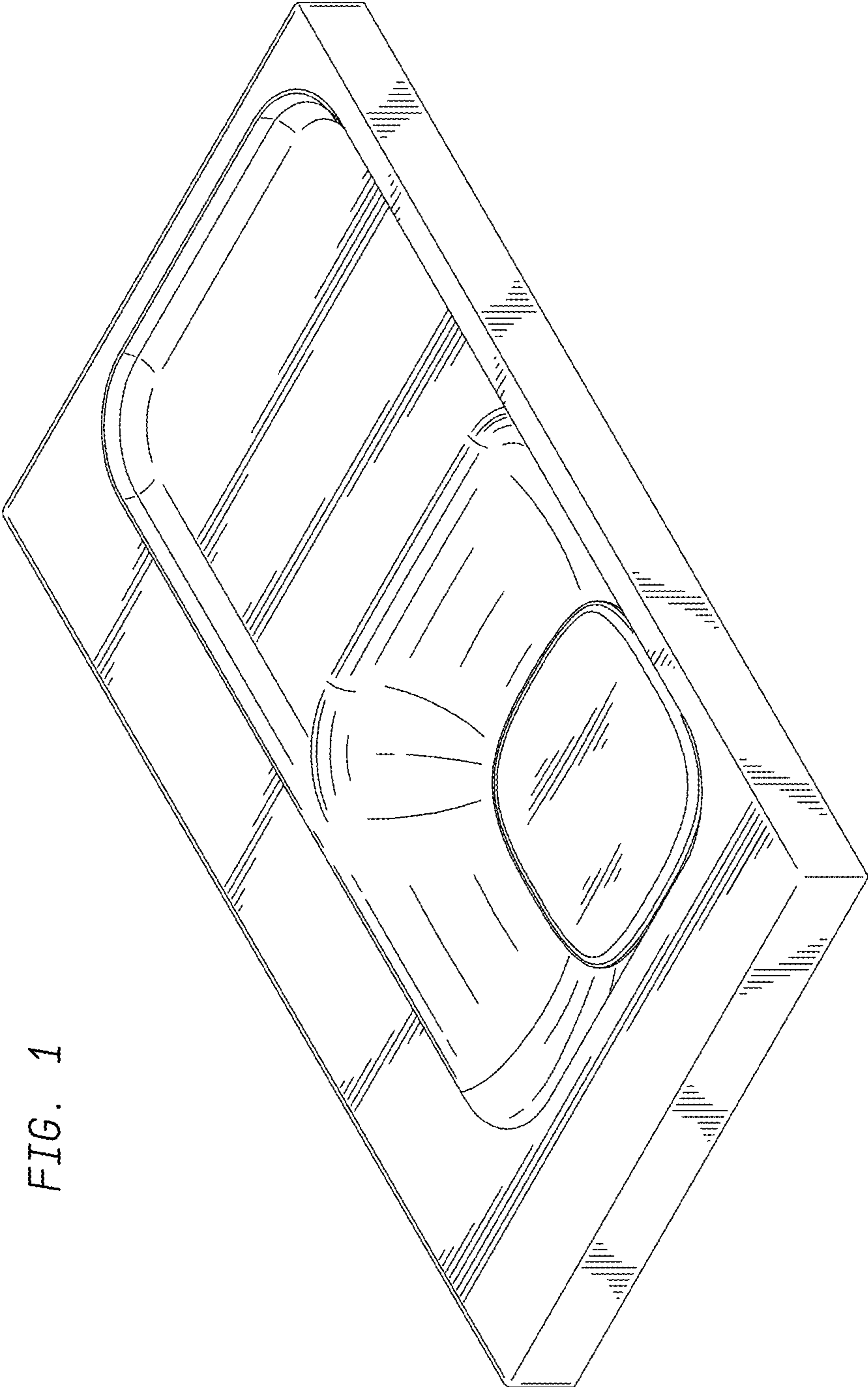


FIG. 1

FIG. 2

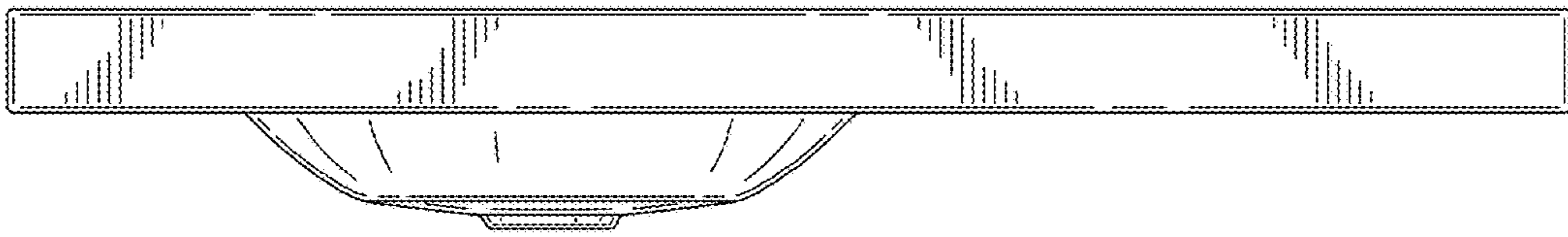


FIG. 3

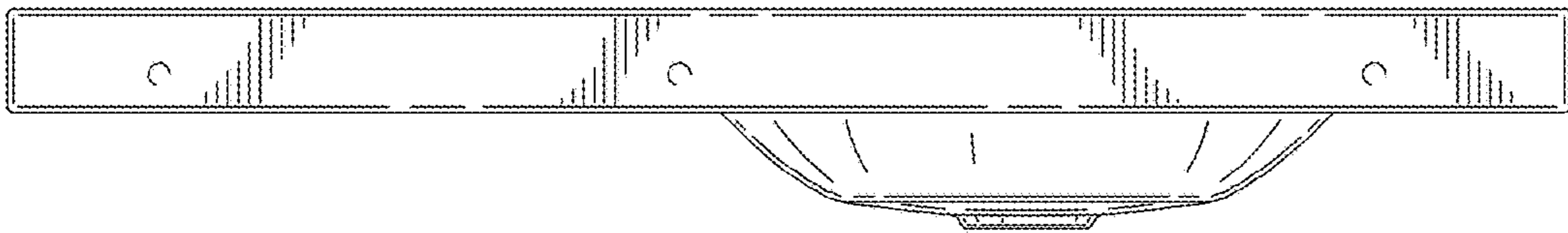


FIG. 4

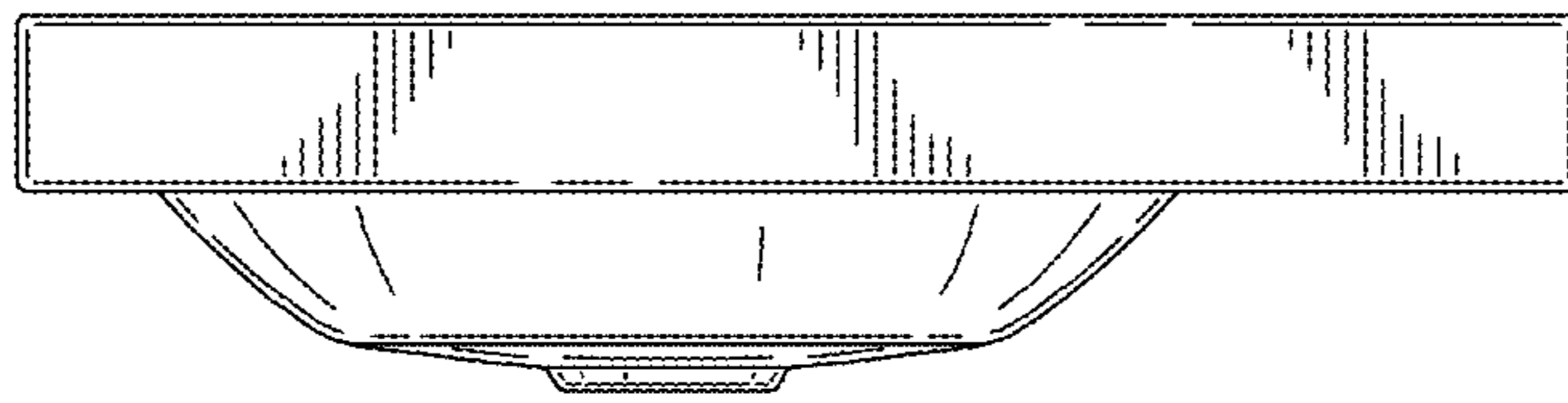


FIG. 5

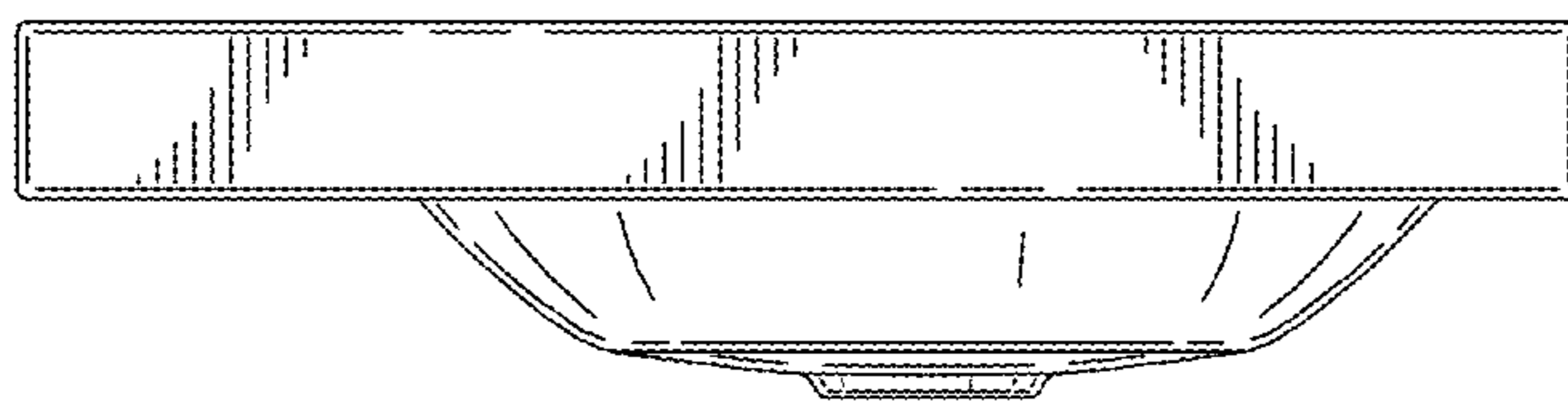


FIG. 6

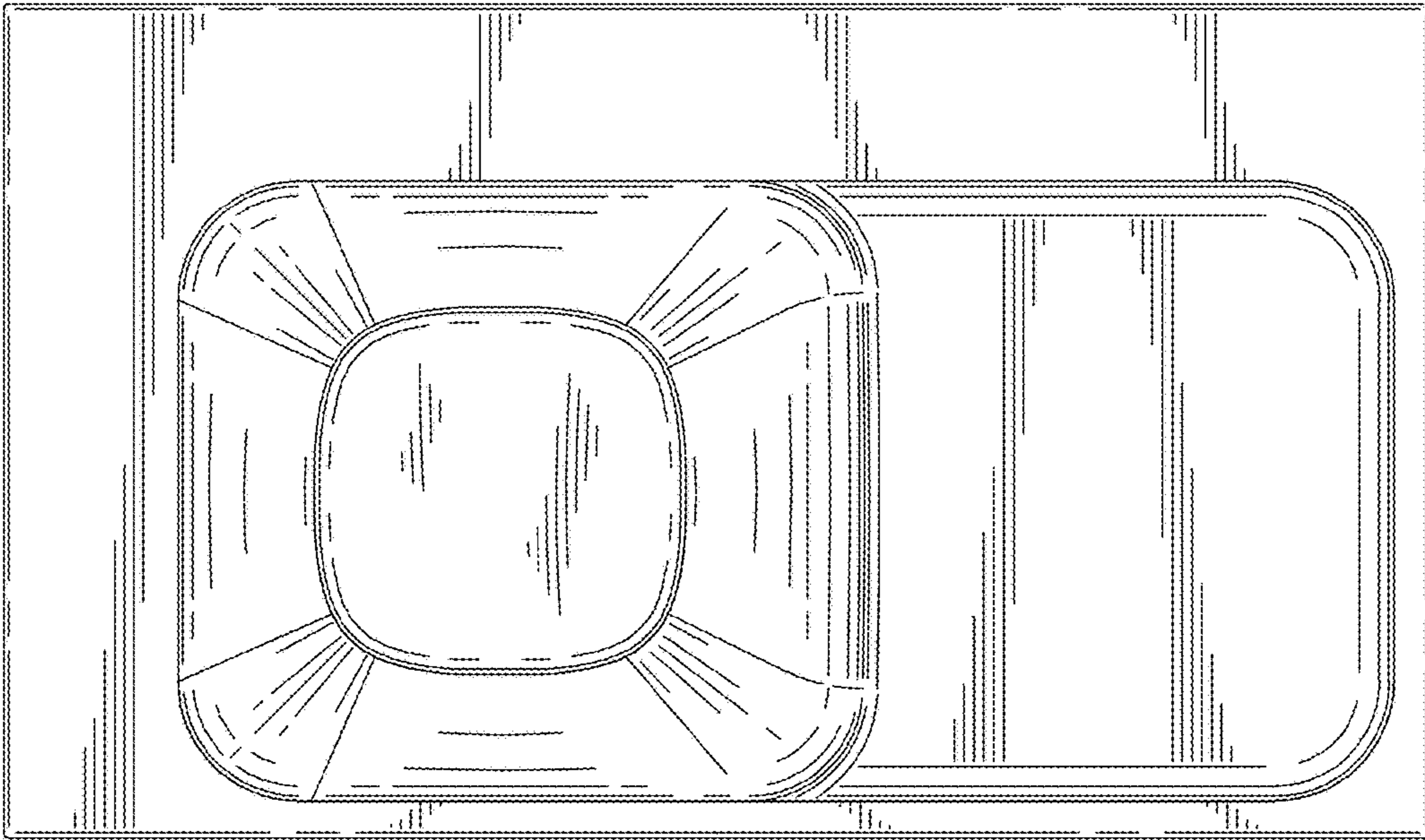


FIG. 7

