



US00D837349S

(12) **United States Design Patent**
Chung et al.

(10) **Patent No.:** **US D837,349 S**

(45) **Date of Patent:** **** Jan. 1, 2019**

(54) **WASHSTAND WITH DRAWERS EQUIPPED WITH DRIER**

(71) Applicant: **LG ELECTRONICS INC.**, Seoul (KR)

(72) Inventors: **Wookjun Chung**, Seoul (KR); **Youngsoo Ha**, Seoul (KR); **Eunyoung Chee**, Seoul (KR); **Jaecil Bae**, Seoul (KR); **Yoonji Lee**, Seoul (KR)

(73) Assignee: **LG ELECTRONICS INC.**, Seoul (KR)

(**) Term: **15 Years**

(21) Appl. No.: **35/504,027**

(22) Filed: **May 26, 2017**

(80) **Hague Agreement Data**

Int. Filing Date: **May 26, 2017**

Int. Reg. No.: **DM/097734**

Int. Reg. Date: **May 26, 2017**

Int. Reg. Pub. Date: **Dec. 1, 2017**

(30) **Foreign Application Priority Data**

Nov. 28, 2016 (KR) 30-2016-0057179

(51) **LOC (11) Cl.** **23-02**

(52) **U.S. Cl.**
USPC **D23/286; D32/6**

(58) **Field of Classification Search**

USPC D23/286, 270, 271, 272, 273, 284, 287; D32/5, 6, 8; D6/655, 655.1, 656, 653, D6/671, 668, 677, 668.2, 668.1, 673
(Continued)

(56) **References Cited**

U.S. PATENT DOCUMENTS

D185,227 S * 5/1959 Mustee D23/286

D598,525 S * 8/2009 Ferris D23/286

(Continued)

Primary Examiner — George D. Kirschbaum

Assistant Examiner — Khawaja Anwar

(74) *Attorney, Agent, or Firm* — Birch, Stewart, Kolasch & Birch, LLP

(57) **CLAIM**

The ornamental design for a washstand with drawers equipped with drier, as shown and described.

DESCRIPTION

1. Washstand with drawers equipped with drier

1.1 : Perspective

1.2 : Front

1.3 : Back

1.4 : Left

1.5 : Right

1.6 : Top

1.7 : Bottom

1.8 : Perspective view 2

1.9 : Front view 2

1.10 : Back view 2

1.11 : Left view 2

1.12 : Right view 2

1.13 : Top view 2

1.14 : Bottom view 2

1.15 : Perspective view 3

1.16 : Front view 3

1.17 : Back view 3

1.18 : Left view 3

1.19 : Right view 3

1.20 : Top view 3

1.21 : Bottom view 3

1.22 : Perspective view 4

1.23 : Front view 4

1.24 : Back view 4

1.25 : Left view 4

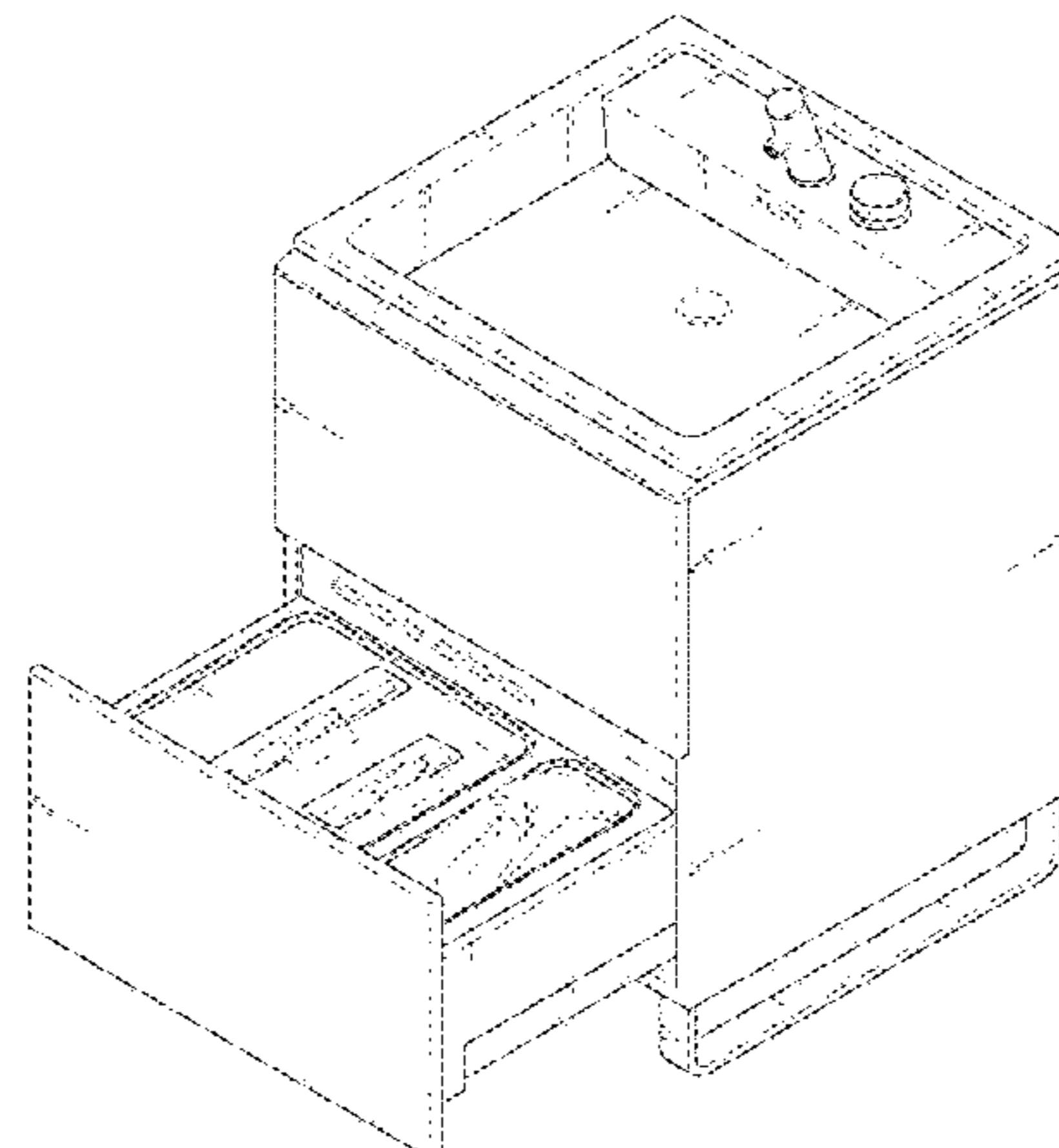
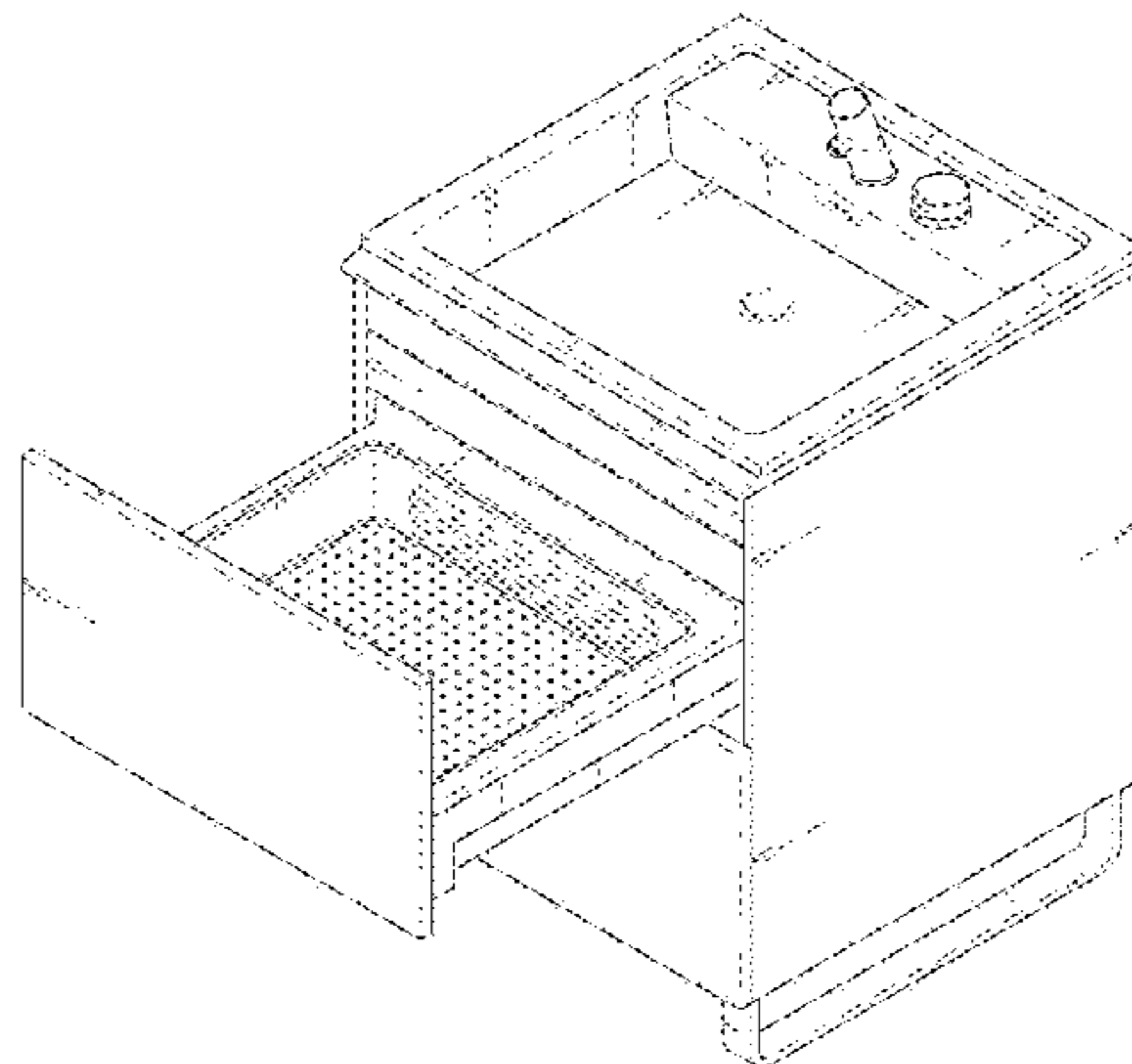
1.26 : Right view 4

1.27 : Top view 4

1.28 : Bottom view 4

The broken lines depict portions of the washstand with drawers equipped with drier that form no part of the claimed

(Continued)



design; reproduction 1.1 is a front perspective view of the washstand with drawers equipped with drier; reproduction 1.8 is a front perspective view thereof in a condition that the upper drawer has been open; reproduction 1.15 is a front perspective view thereof in a condition that the filter drawer inside the upper drawer has been open; reproduction 1.22 is a front perspective view thereof in a condition that the lower drawer has been open; reproductions 1.2, 1.9, 1.16 and 1.23 are the front views of reproductions 1.1, 1.8, 1.15 and 1.22, respectively; reproductions 1.3, 1.10, 1.17 and 1.24 are the back views of reproductions 1.1, 1.8, 1.15 and 1.22, respectively; reproductions 1.4, 1.11, 1.18 and 1.25 are the left views of reproductions 1.1, 1.8, 1.15 and 1.22, respectively; reproductions 1.5, 1.12, 1.19 and 1.26 are the right views of reproductions 1.1, 1.8, 1.15 and 1.22, respectively; reproductions 1.6, 1.13, 1.20 and 1.27 are the top views of reproductions 1.1, 1.8, 1.15 and 1.22, respectively; reproductions 1.7, 1.14, 1.21 and 1.28 are the bottom views of reproductions 1.1, 1.8, 1.15 and 1.22, respectively; this is a design for a washstand with drawers equipped with drier; reproductions 1.8 to 1.14 show that a drier is equipped in the upper drawer; reproductions 1.15 to 1.21 show that a filter drawer for clean water is installed inside the upper drawer; reproductions 1.22 to 1.28 show that the lower drawer can be used to store a remaining water removal apparatus for bathroom.

1 Claim, 28 Drawing Sheets

(58) **Field of Classification Search**

CPC D06F 23/04; D06F 37/22; D06F 37/225;
 D06F 37/26; D06F 37/28; D06F 39/005;
 D06F 21/06; D06F 2202/02; D06F
 2202/04; D06F 2202/06; D06F 2202/10;
 D06F 2204/02; D06F 2204/04; D06F
 2204/06; D06F 2204/065; D06F 2216/00;
 D06F 2222/00; D06F 29/00; D06F 33/02;
 D06F 37/02; D06F 37/04; D06F 37/203;
 D06F 37/206; D06F 37/245; D06F
 37/262; D06F 37/263; D06F 37/264;
 D06F 37/266; D06F 37/267; D06F
 37/268; D06F 37/269; D06F 37/304;
 D06F 39/02; D06F 39/028; D06F 39/083;
 D06F 39/085; D06F 39/088; D06F 39/12;
 D06F 39/14; D06F 58/00; D06F 58/02;
 D06F 58/20

See application file for complete search history.

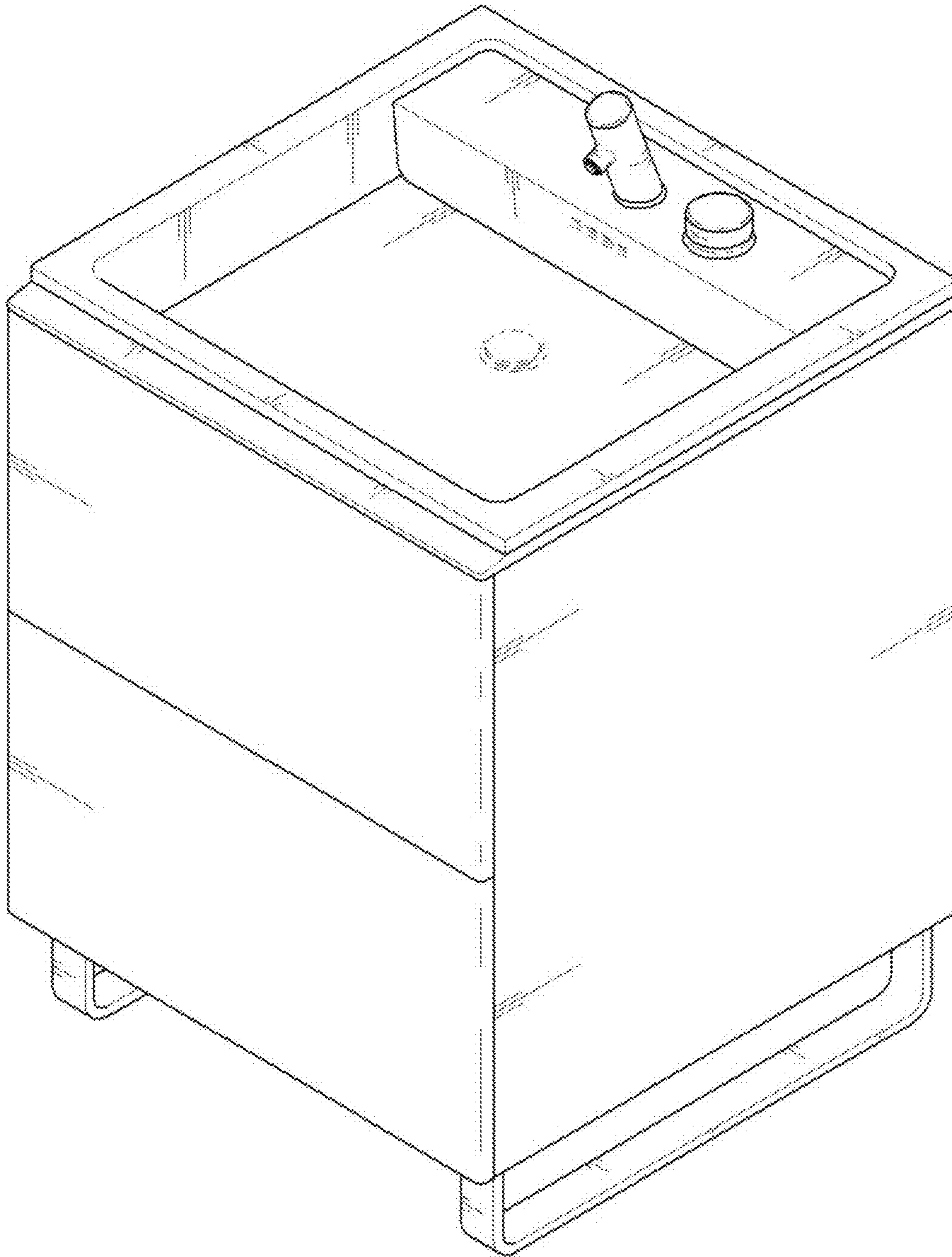
(56) **References Cited**

U.S. PATENT DOCUMENTS

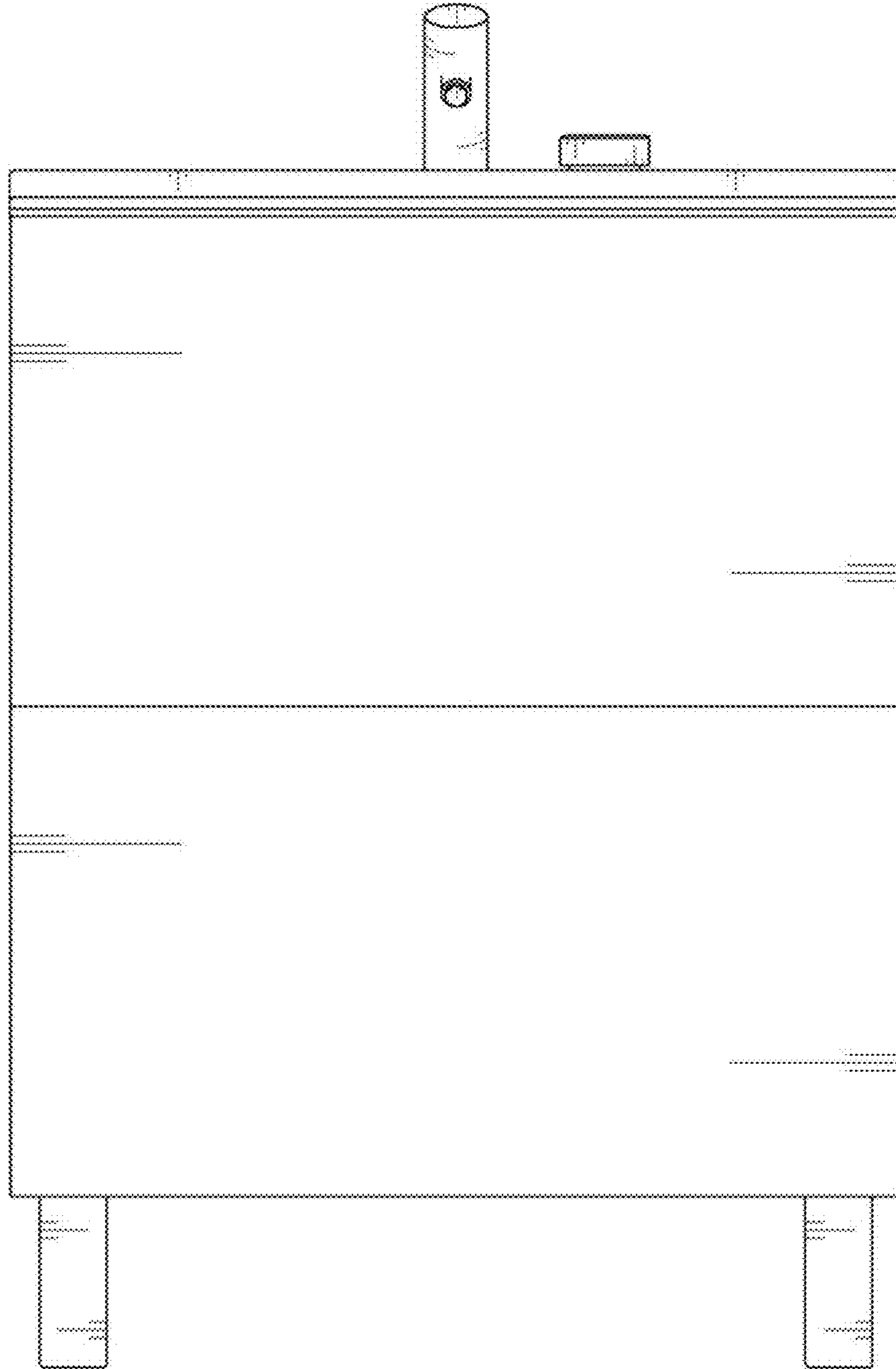
D624,634	S	*	9/2010	Thomas	D23/286
D777,304	S	*	1/2017	Esteve	D23/286
D777,889	S	*	1/2017	Danelon	D23/286
D805,814	S	*	12/2017	Ginestra	D6/663
D809,226	S	*	1/2018	Kim	D32/6
D811,671	S	*	2/2018	Yoon	D32/8
D812,203	S	*	3/2018	Ginestra	D23/286
D813,359	S	*	3/2018	Corbetta	D23/286
D824,122	S	*	7/2018	Yoon	D32/6

* cited by examiner

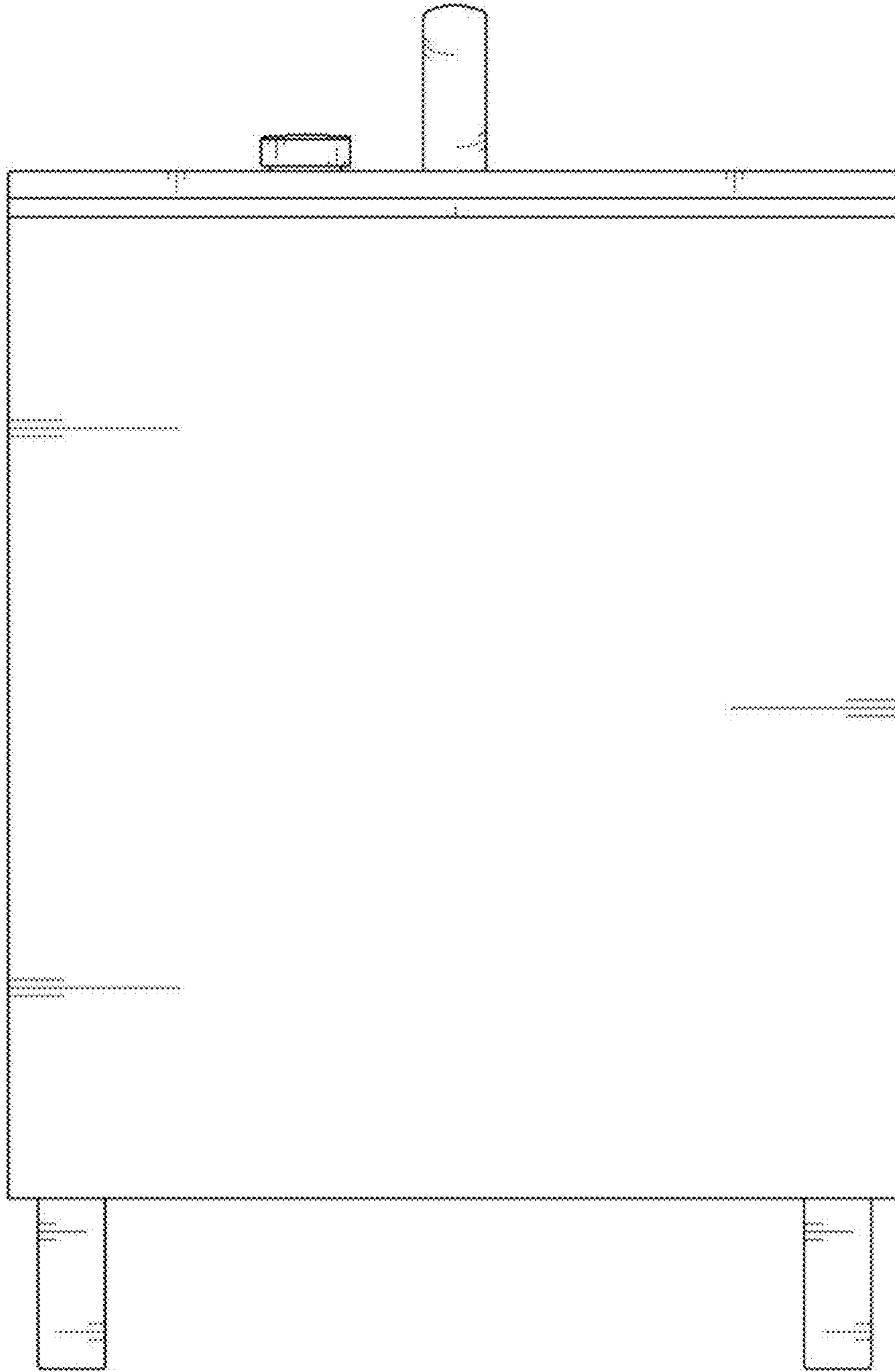
1.1



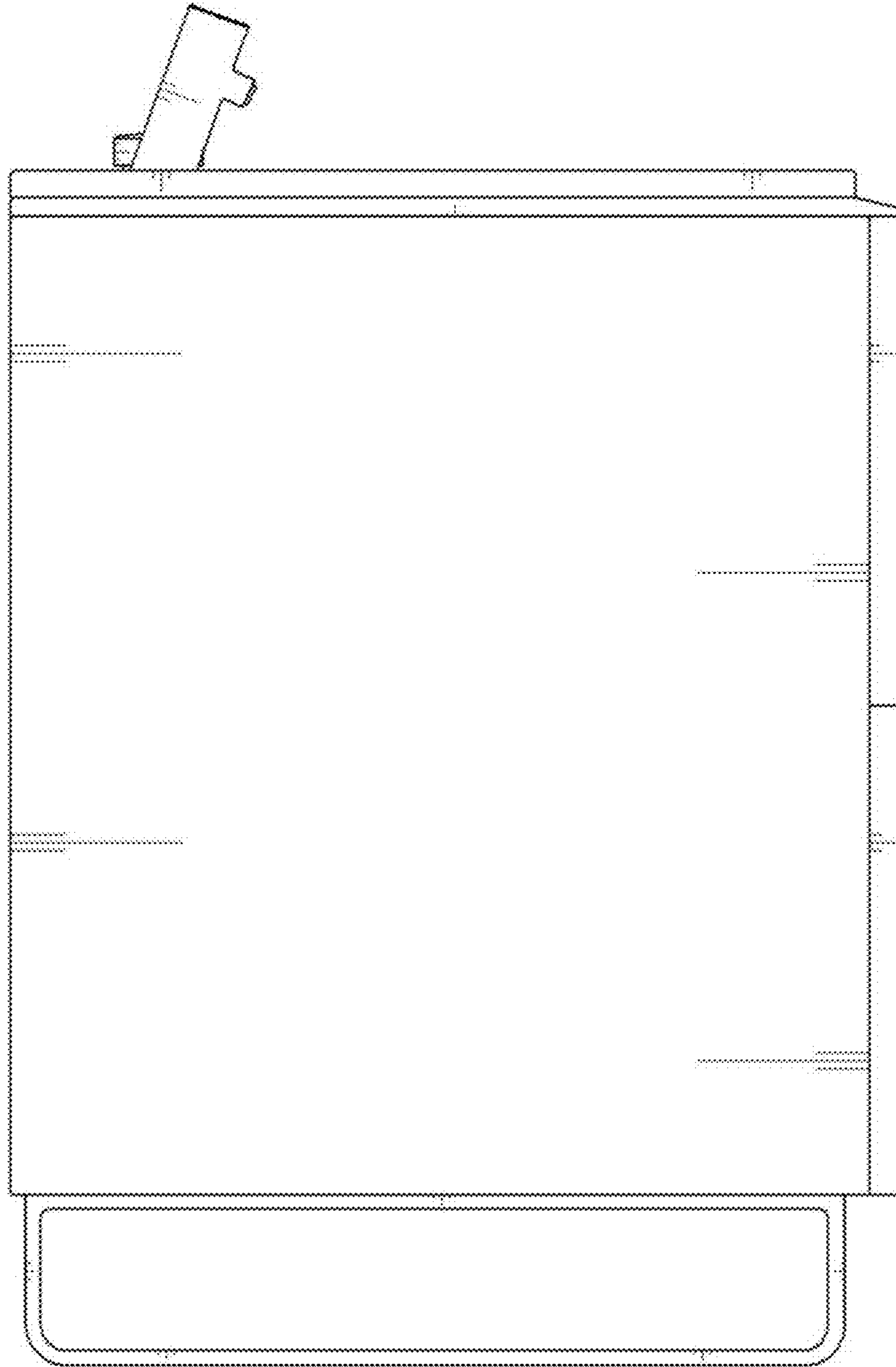
1.2



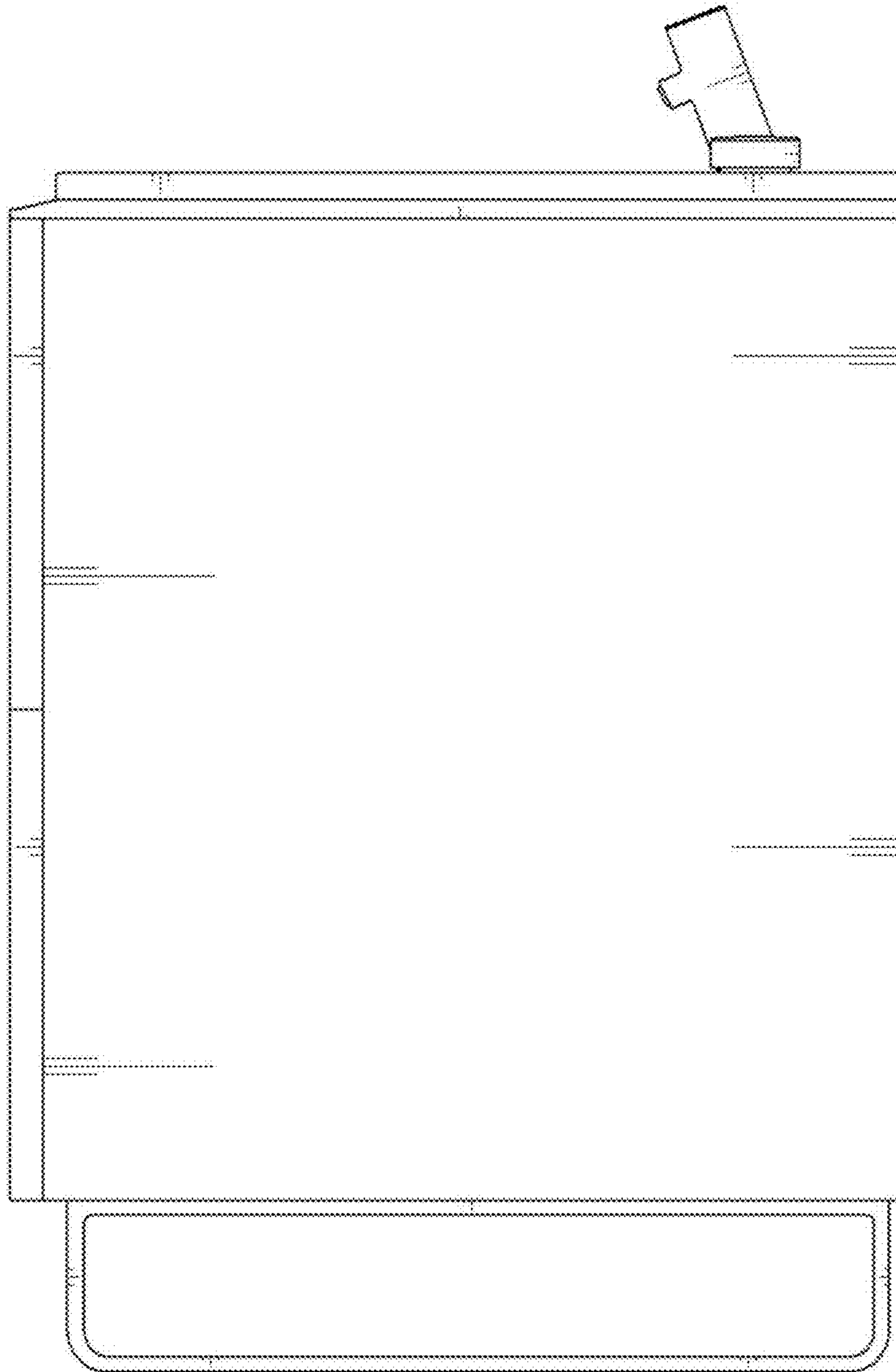
1.3



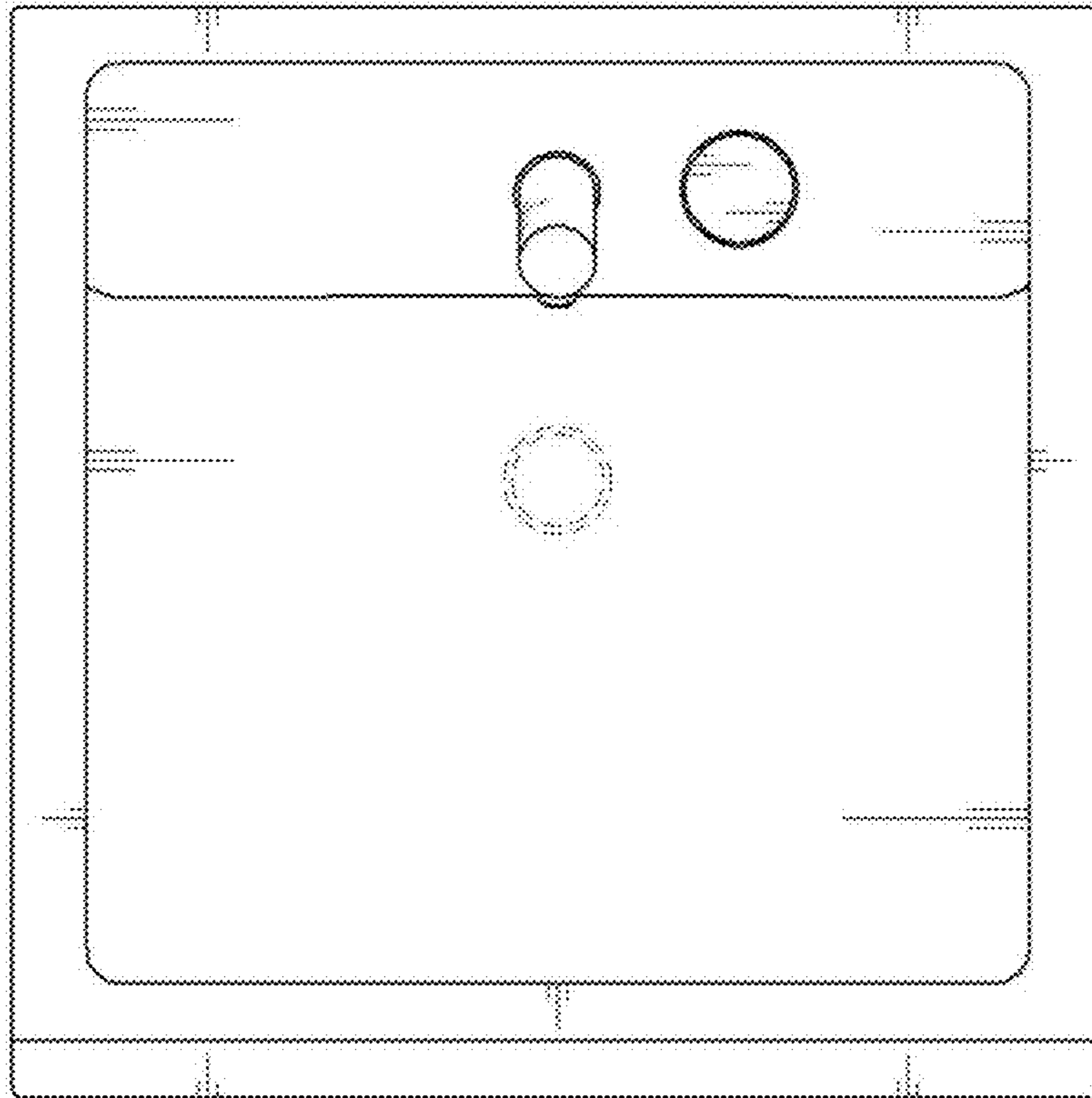
1.4



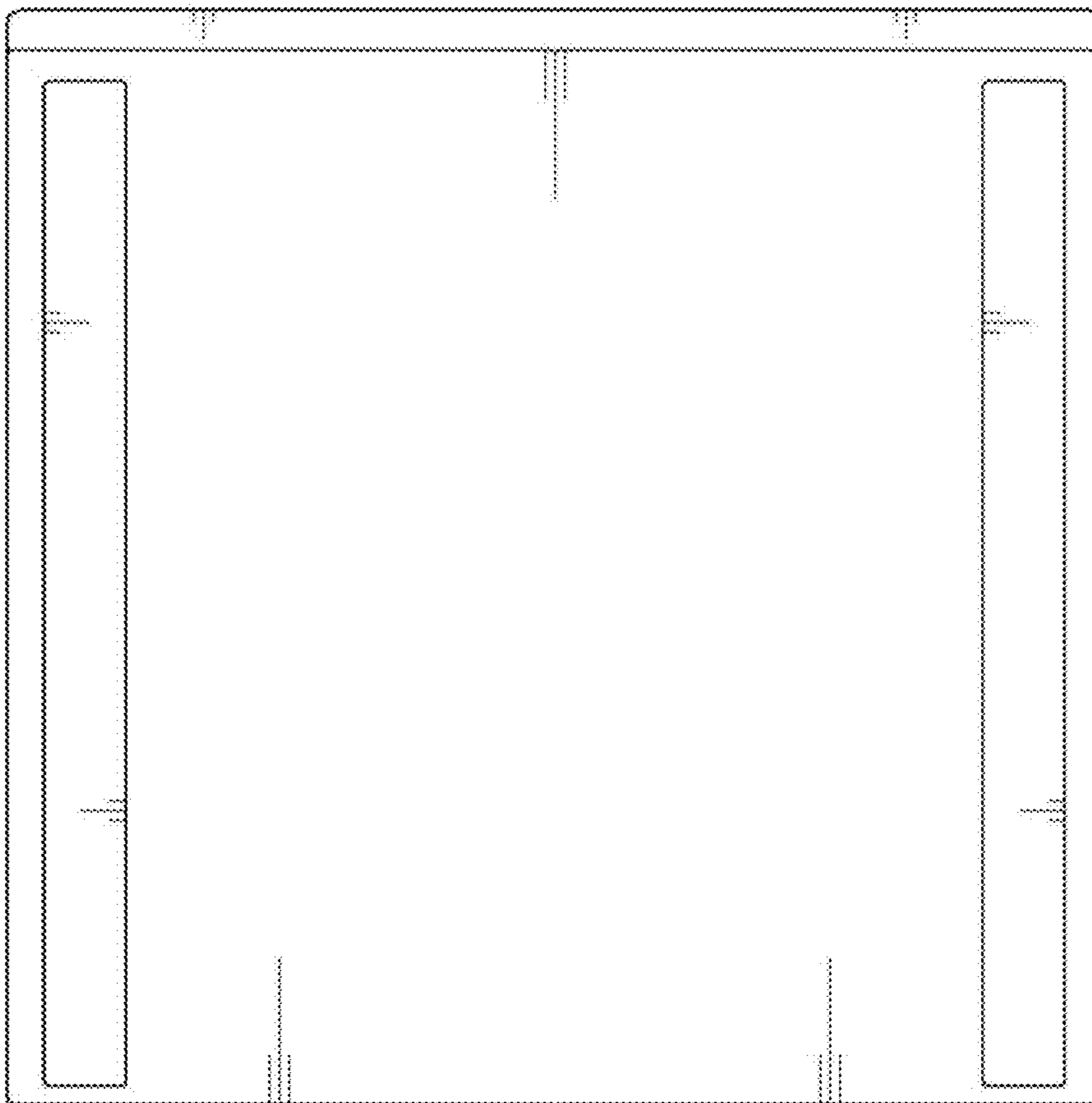
1.5



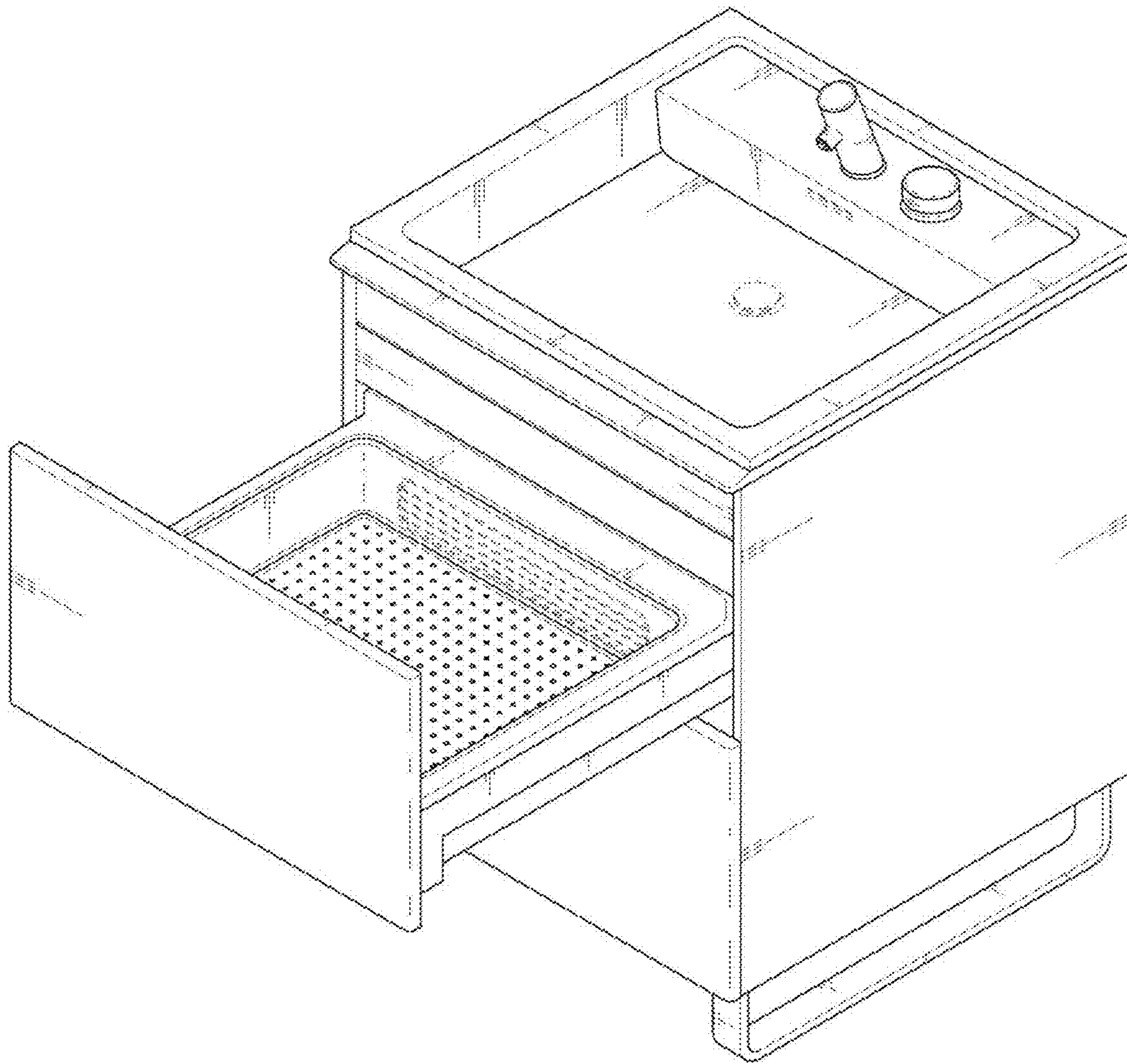
1.6



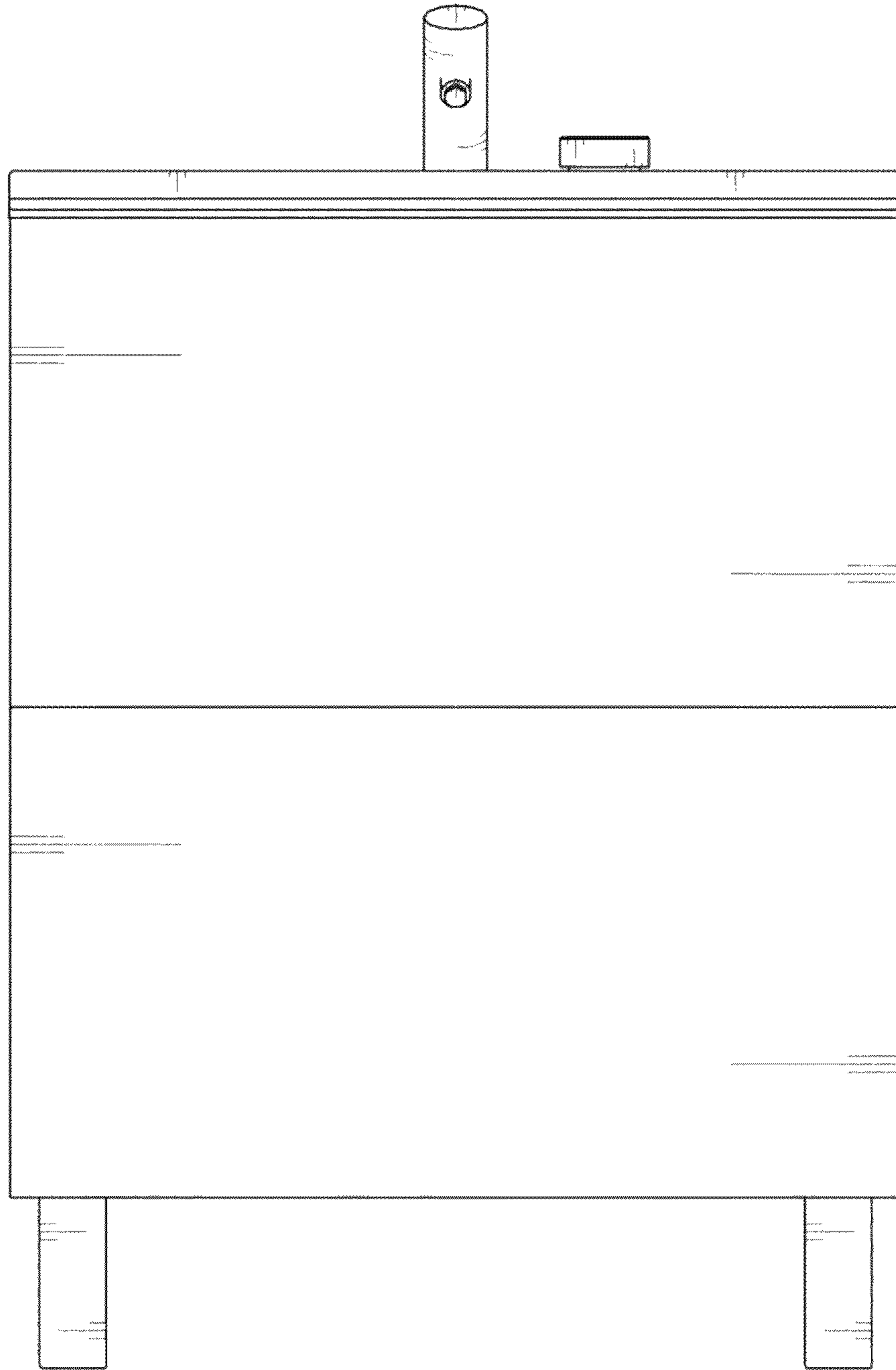
1.7



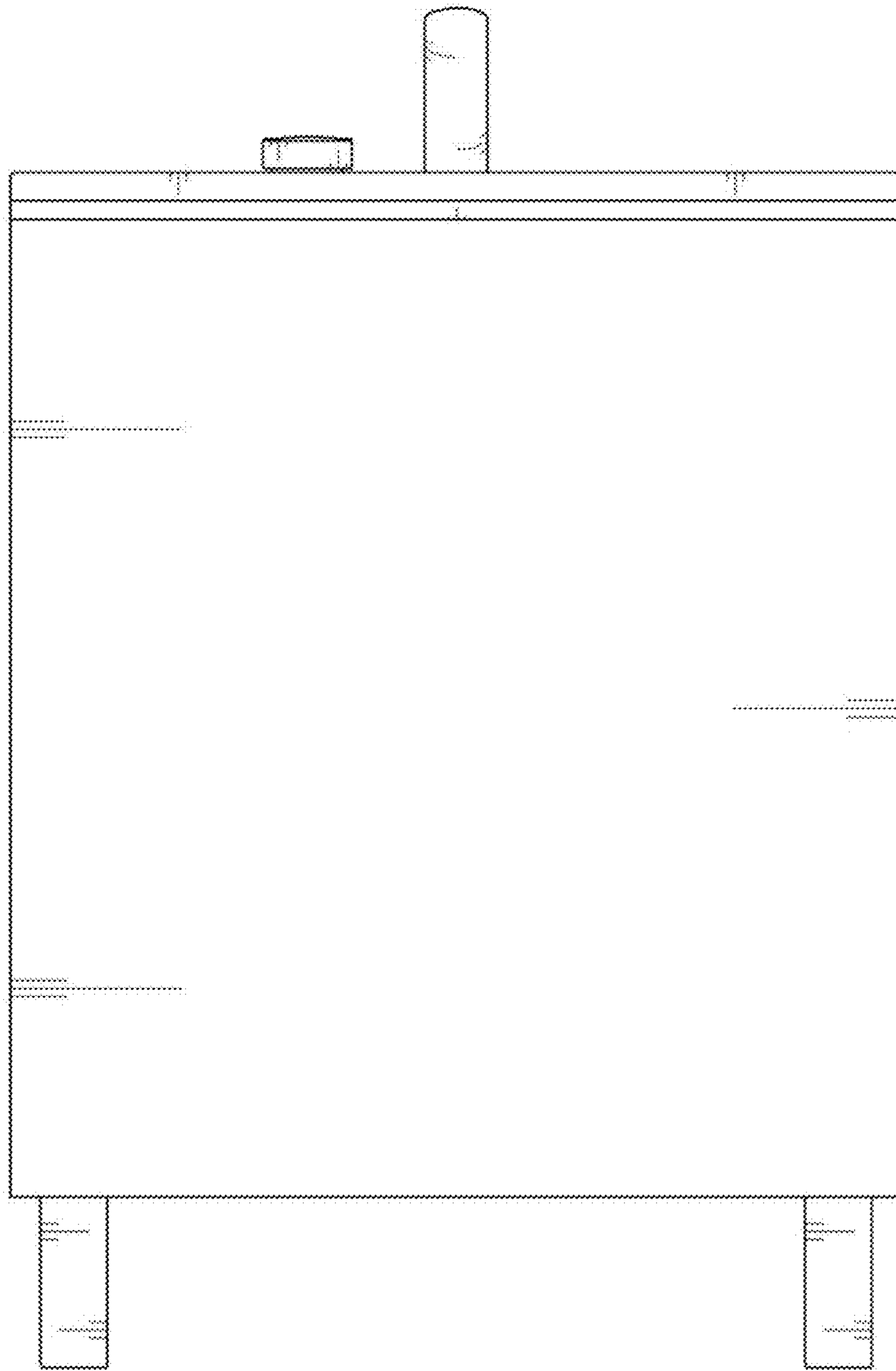
1.8



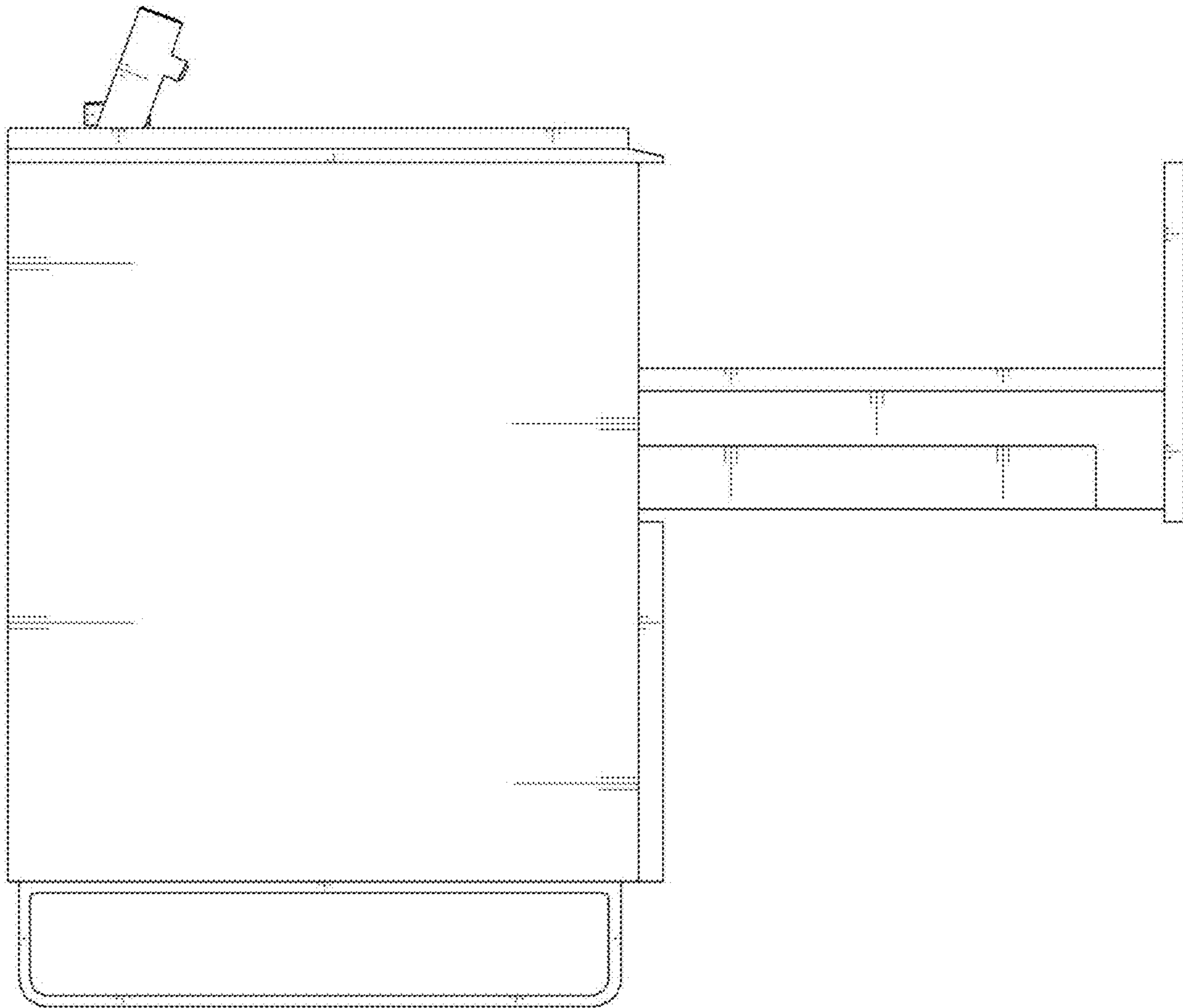
1.9



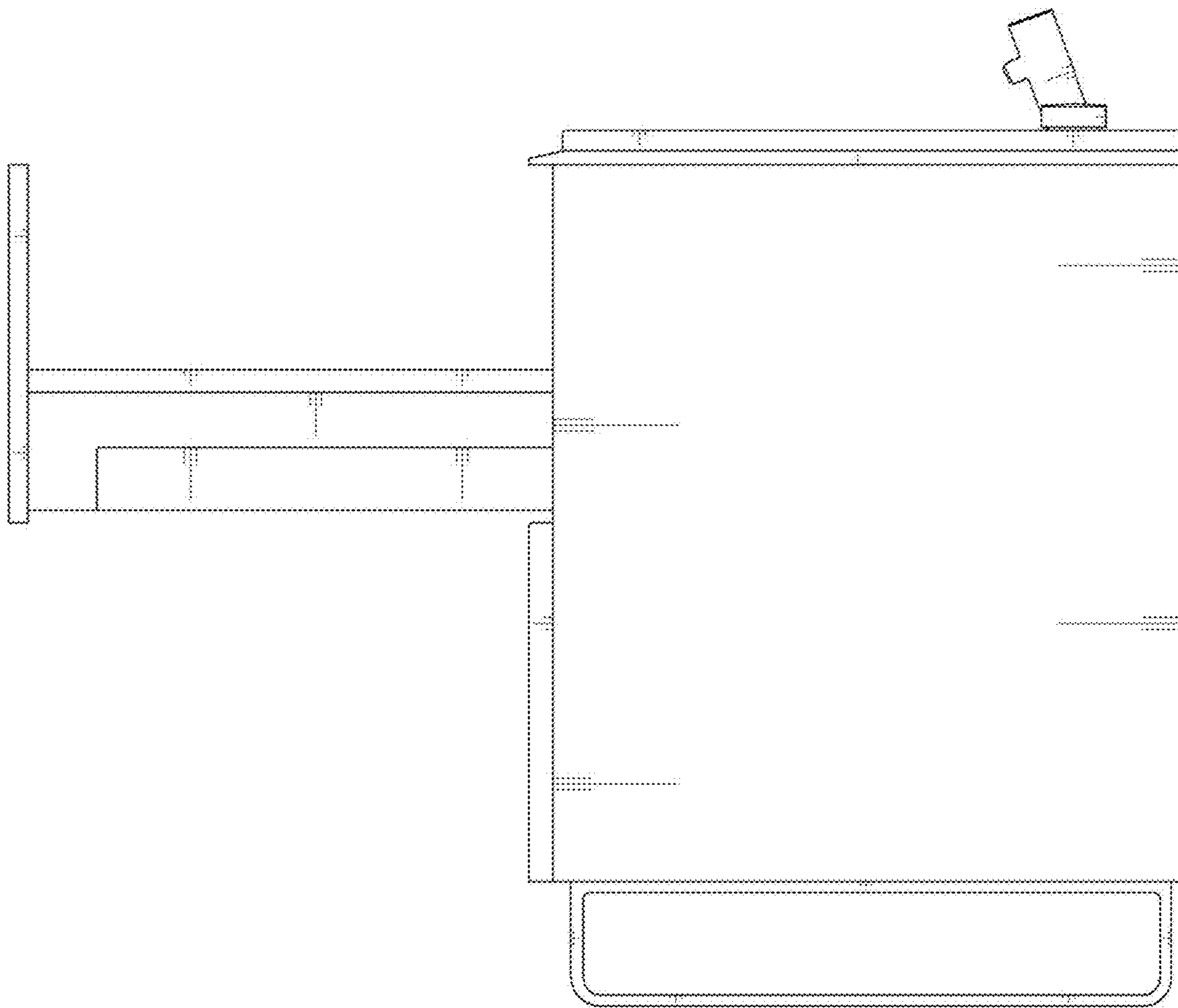
1.10



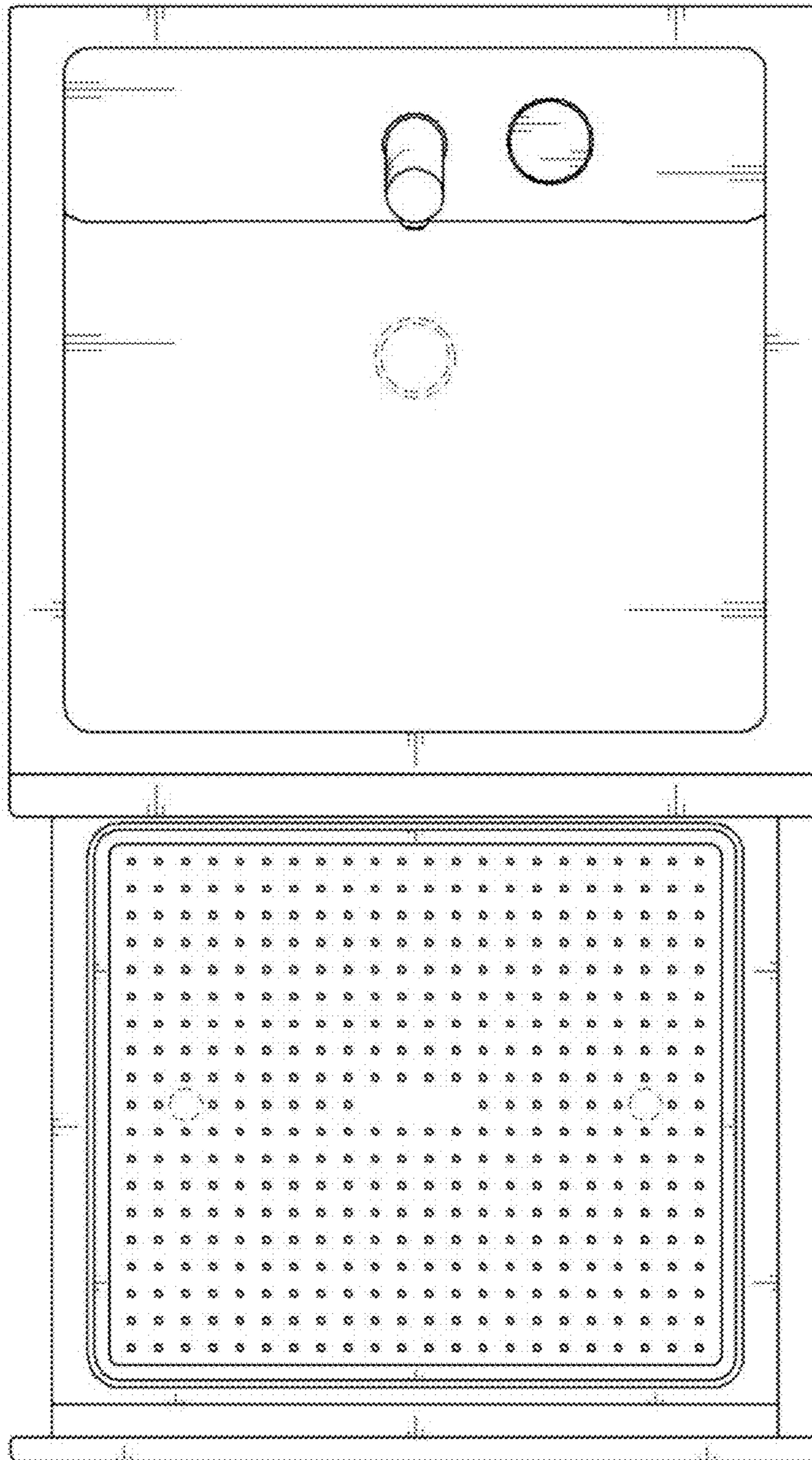
1.11



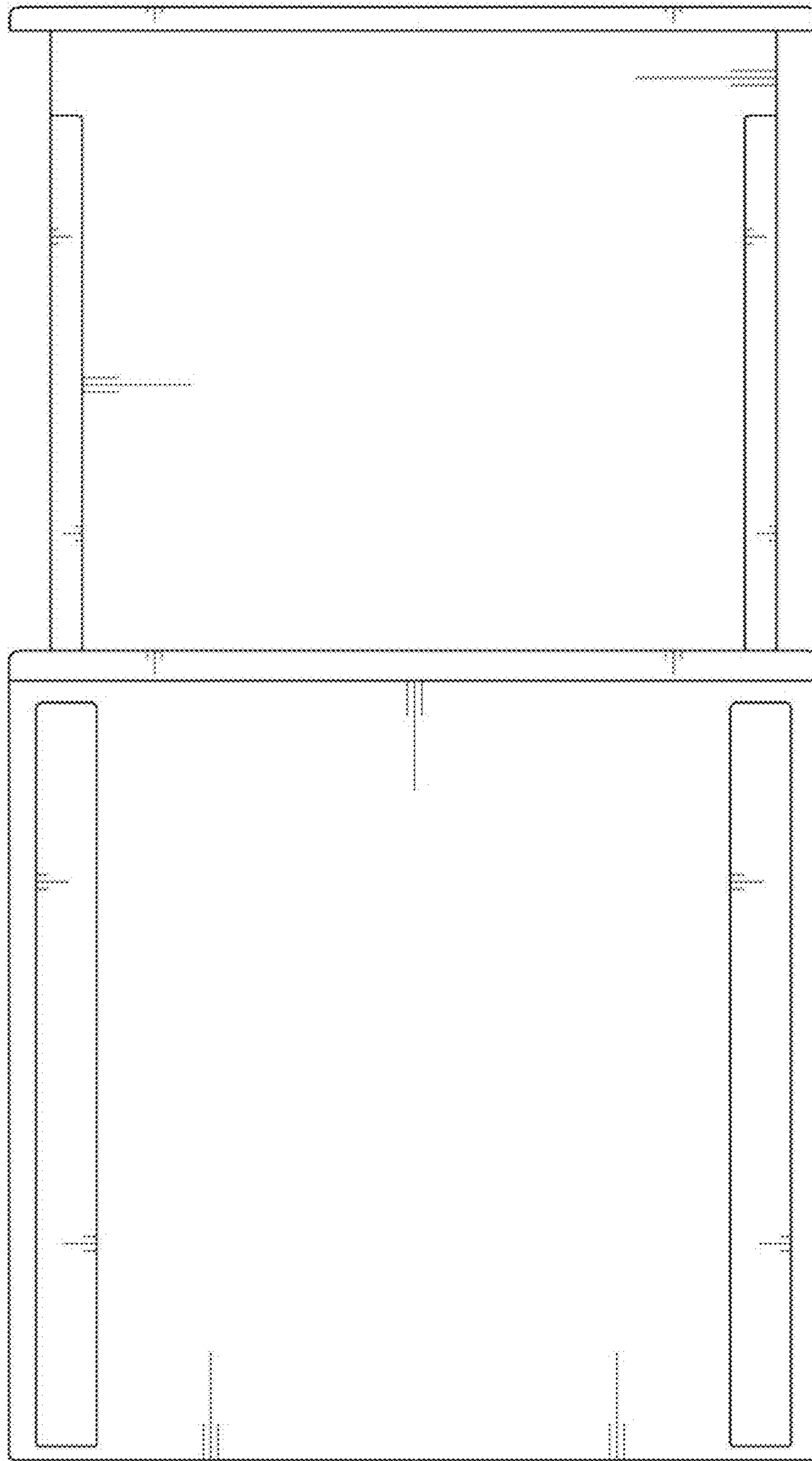
1.12



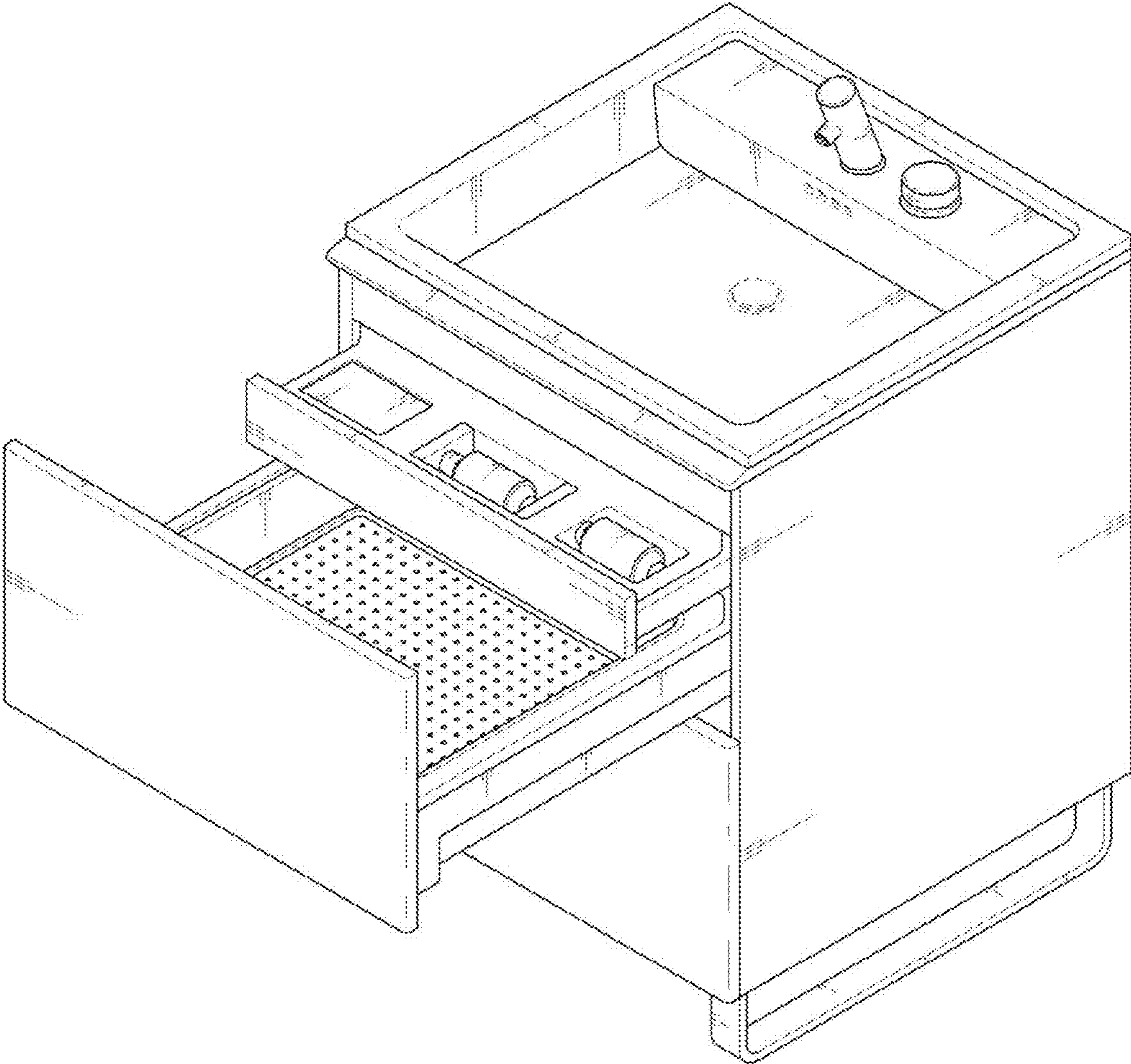
1.13



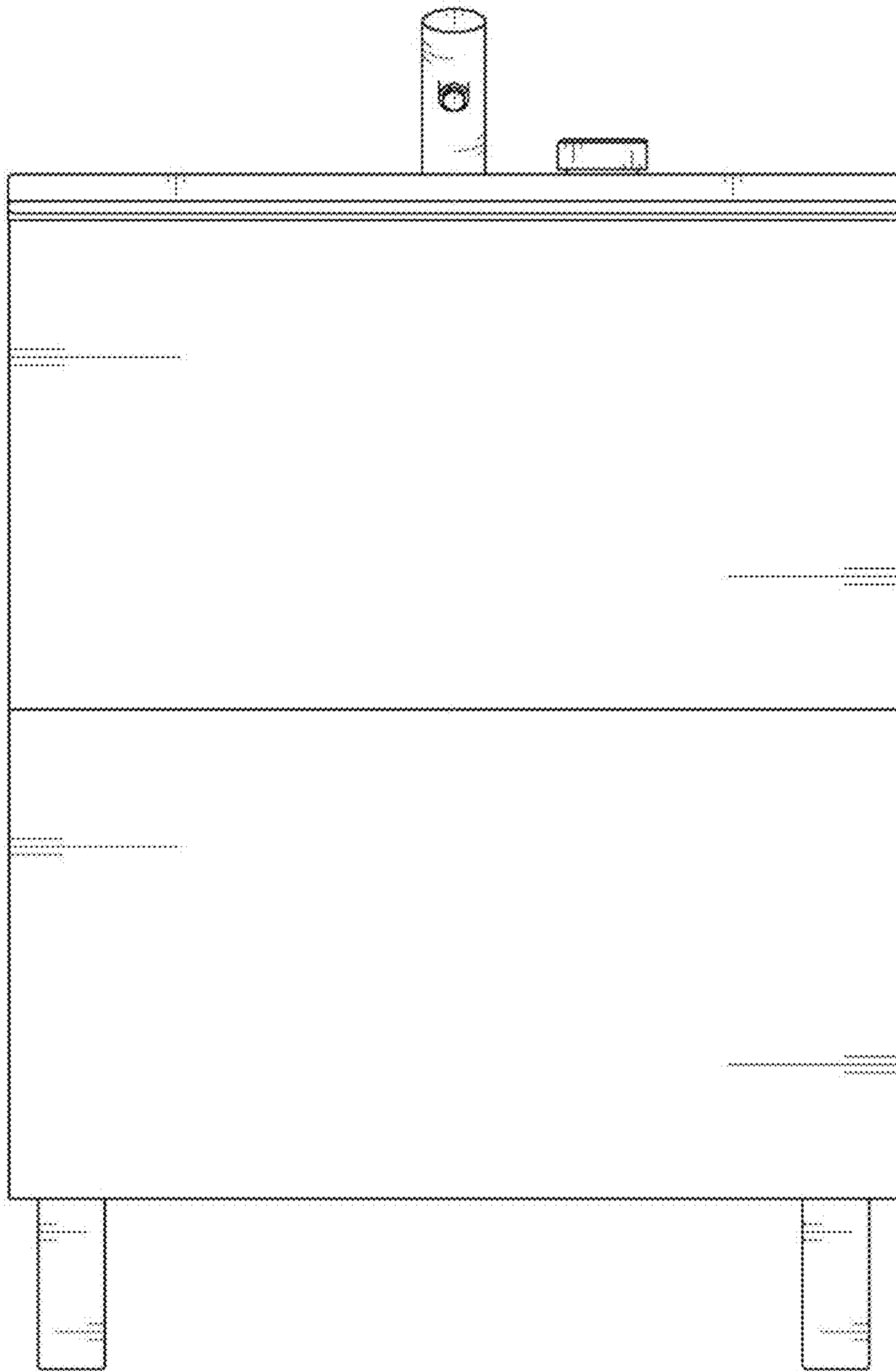
1.14



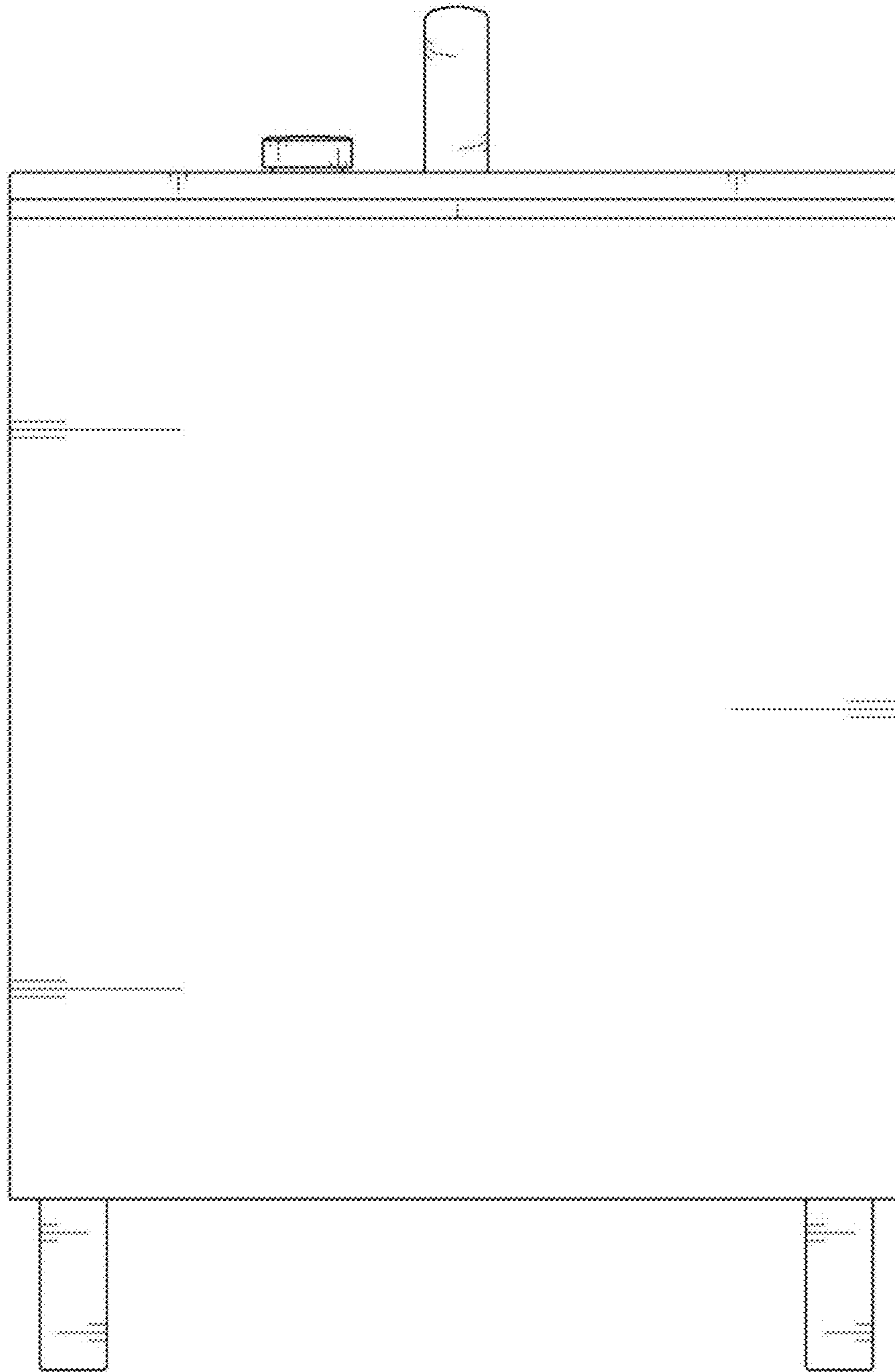
1.15



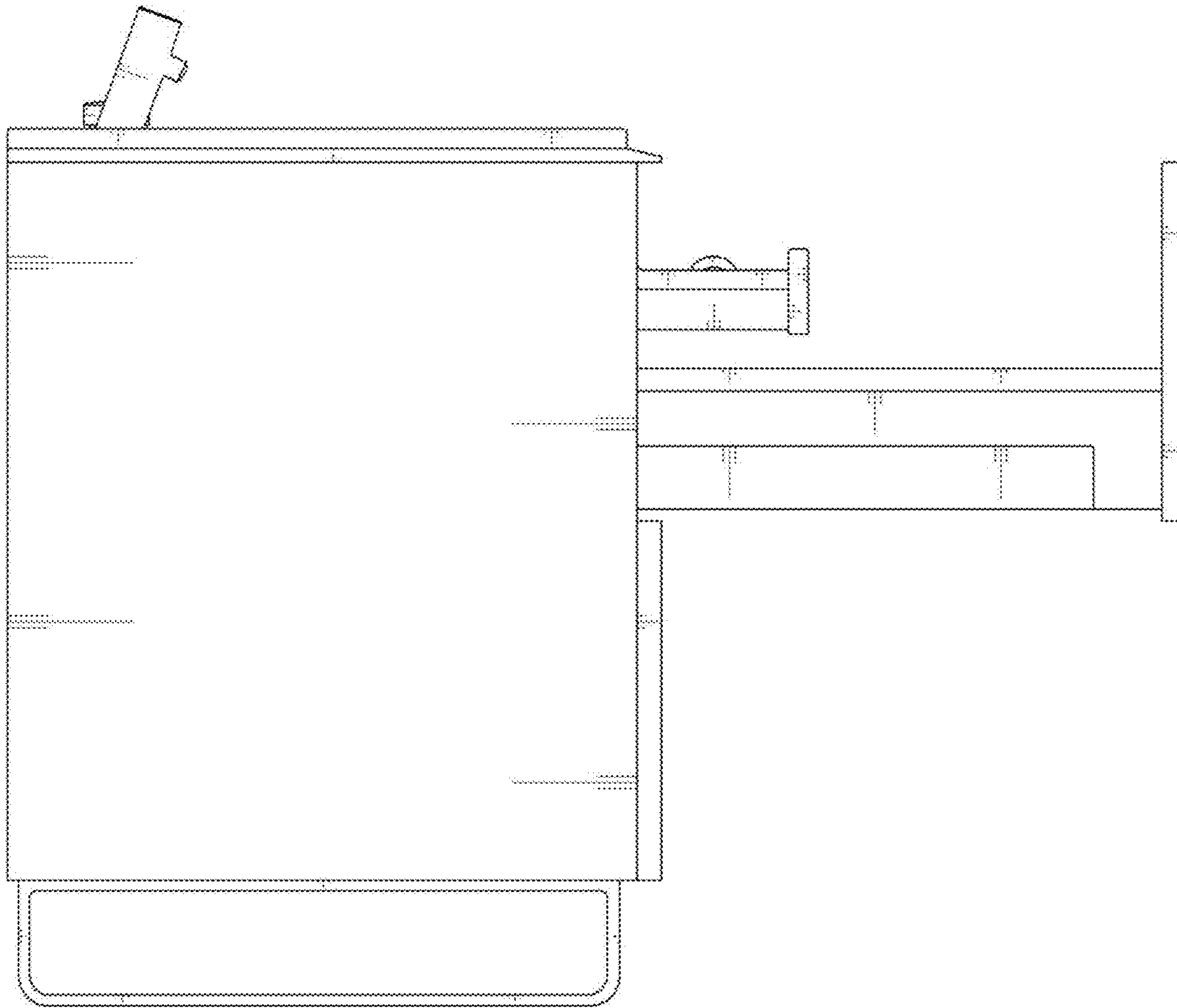
1.16



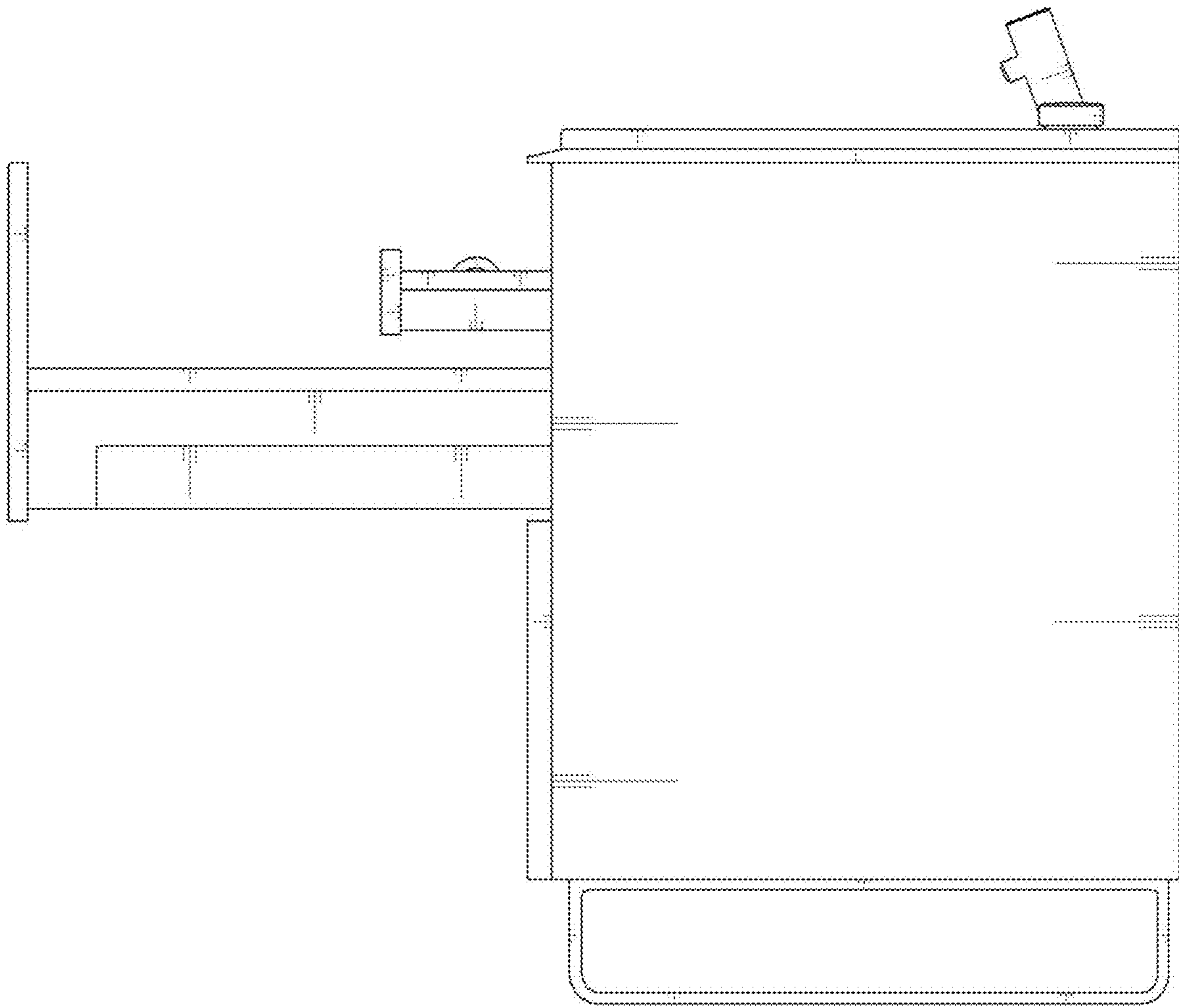
1.17



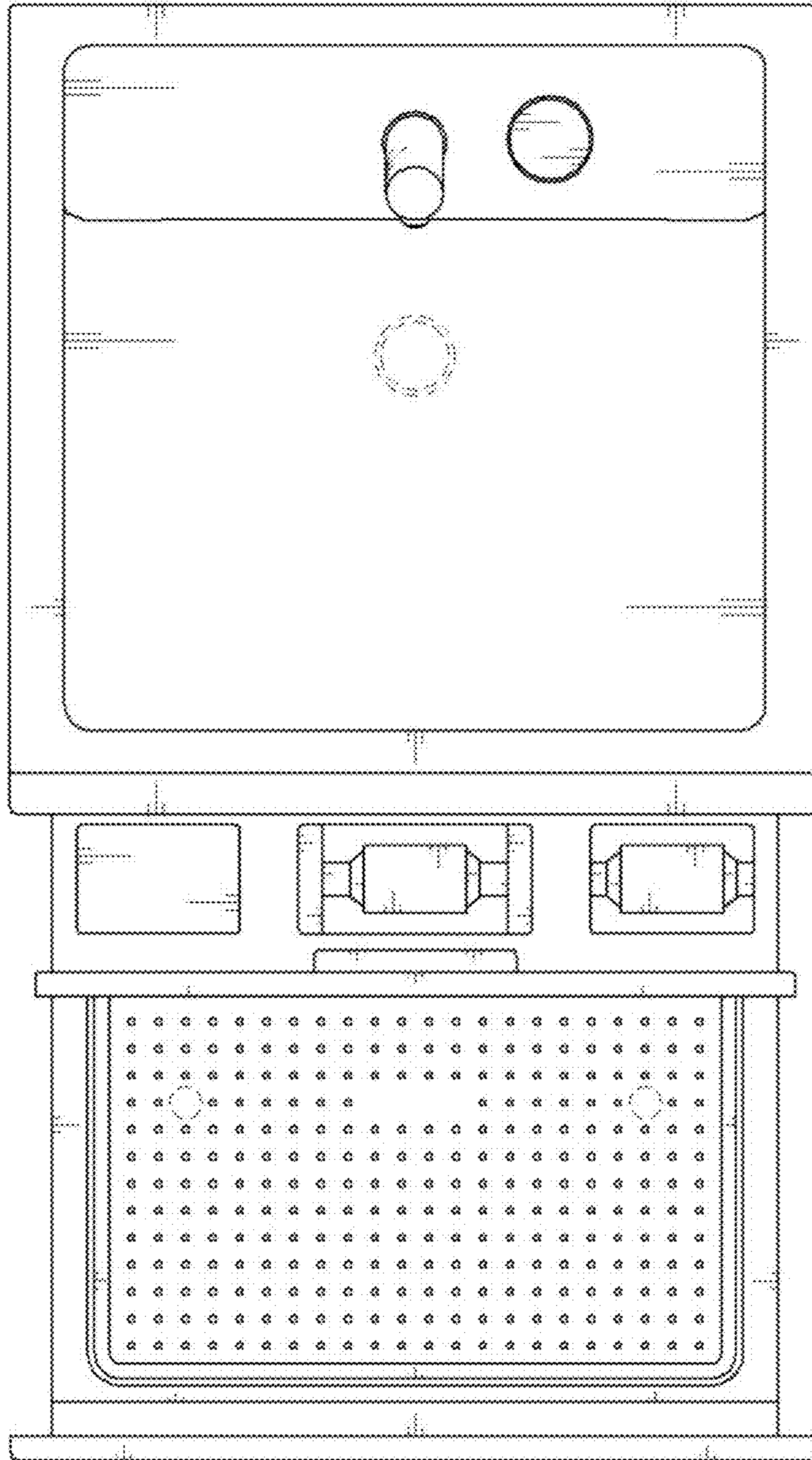
1.18



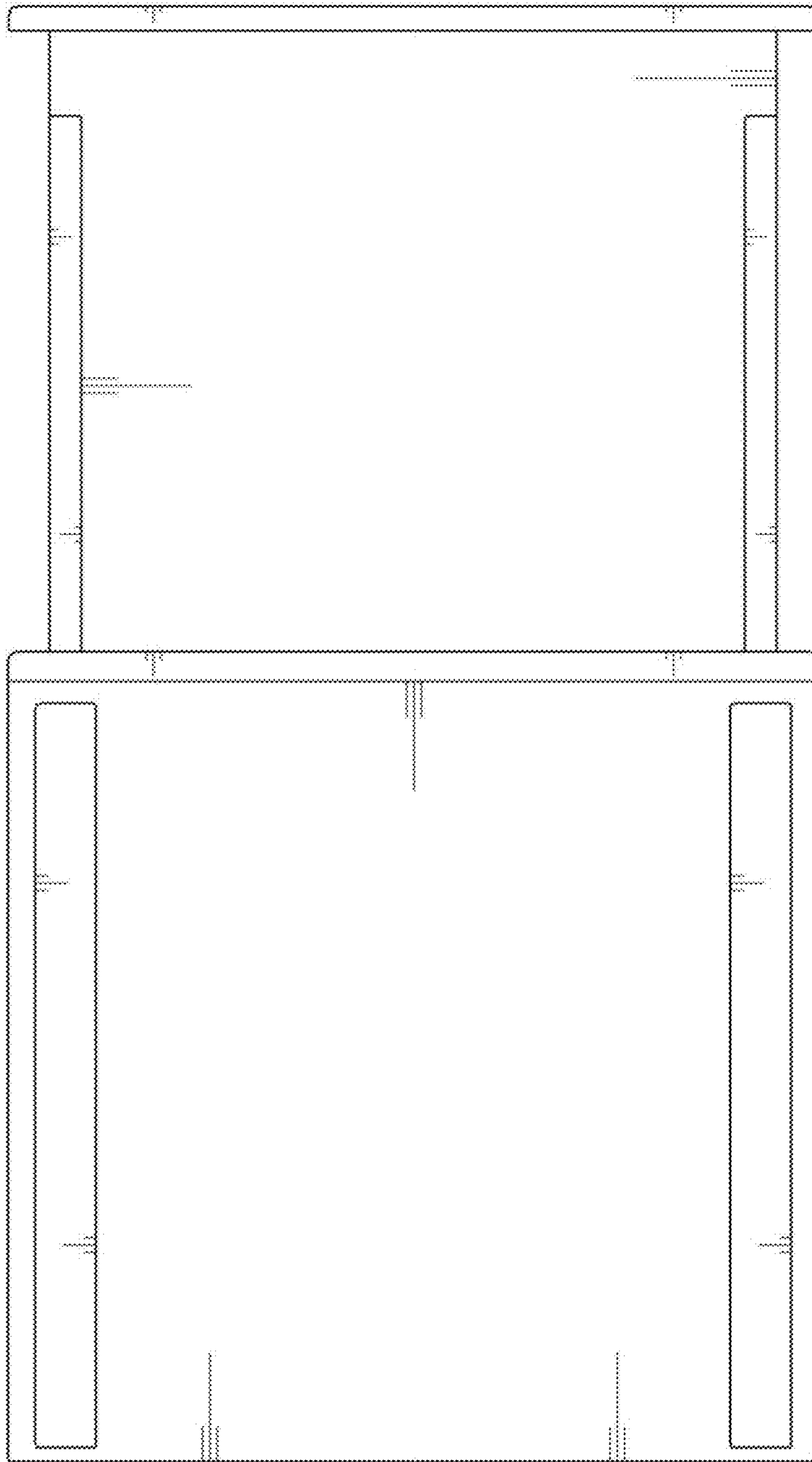
1.19



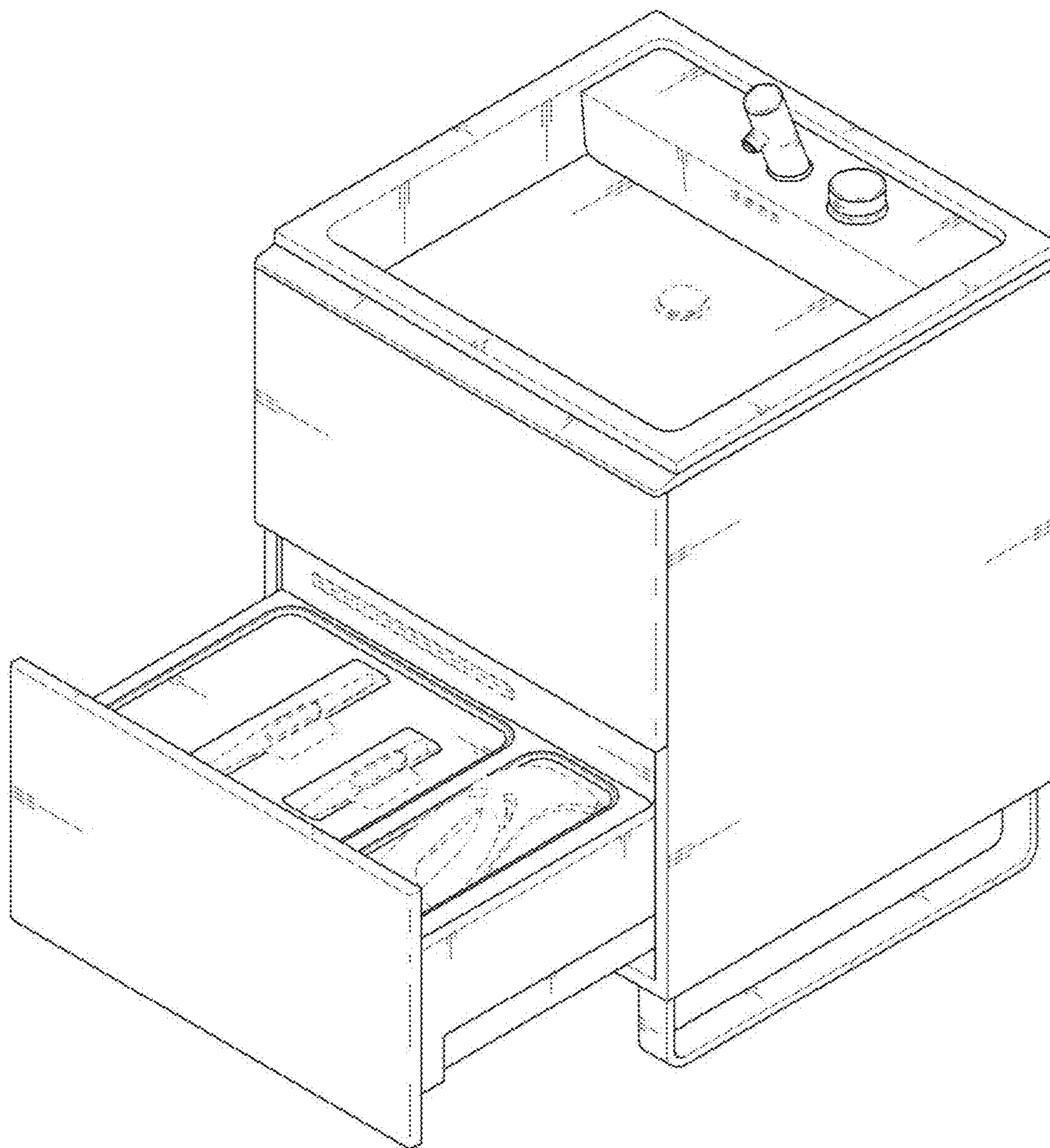
1.20



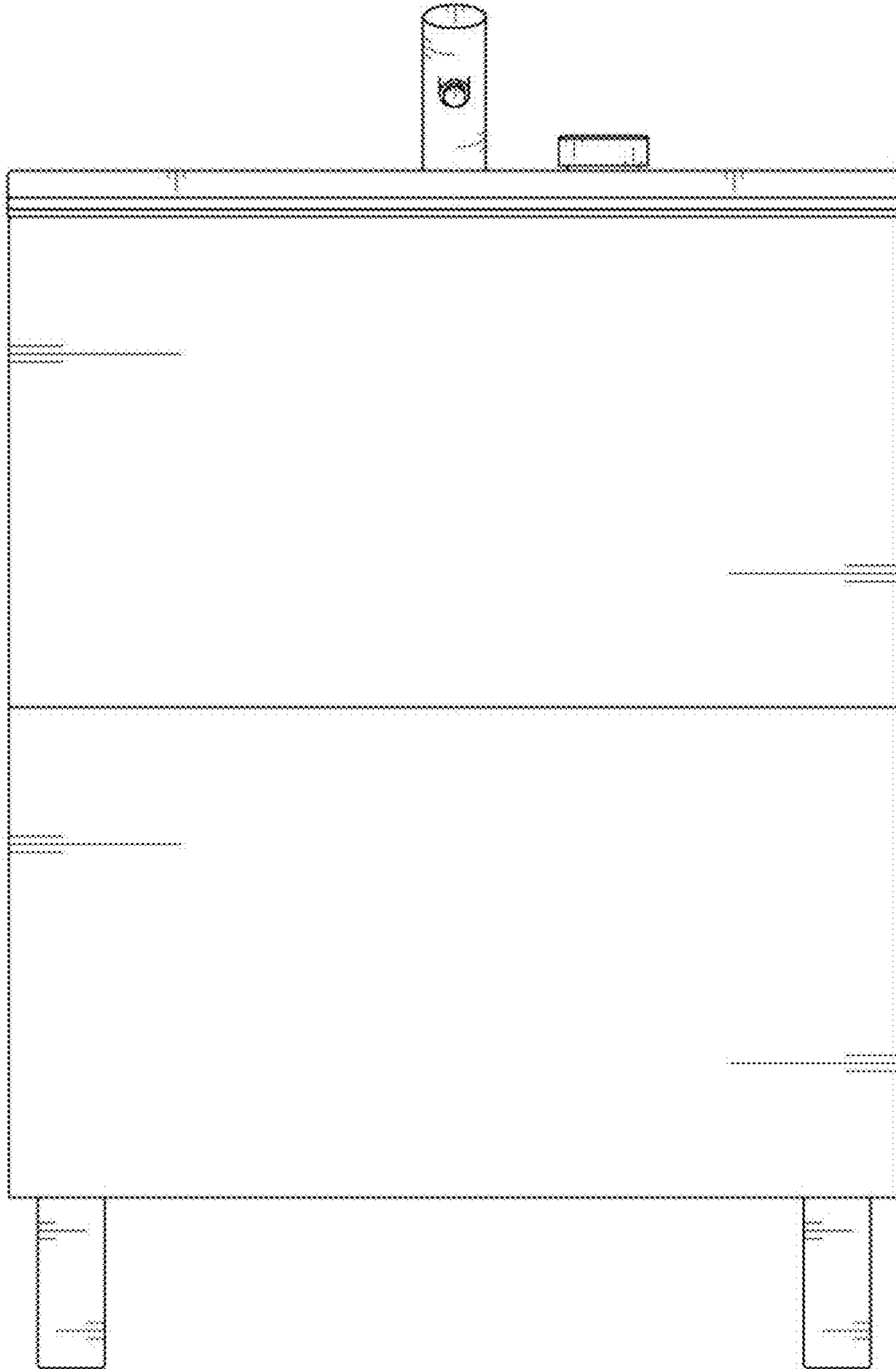
1.21



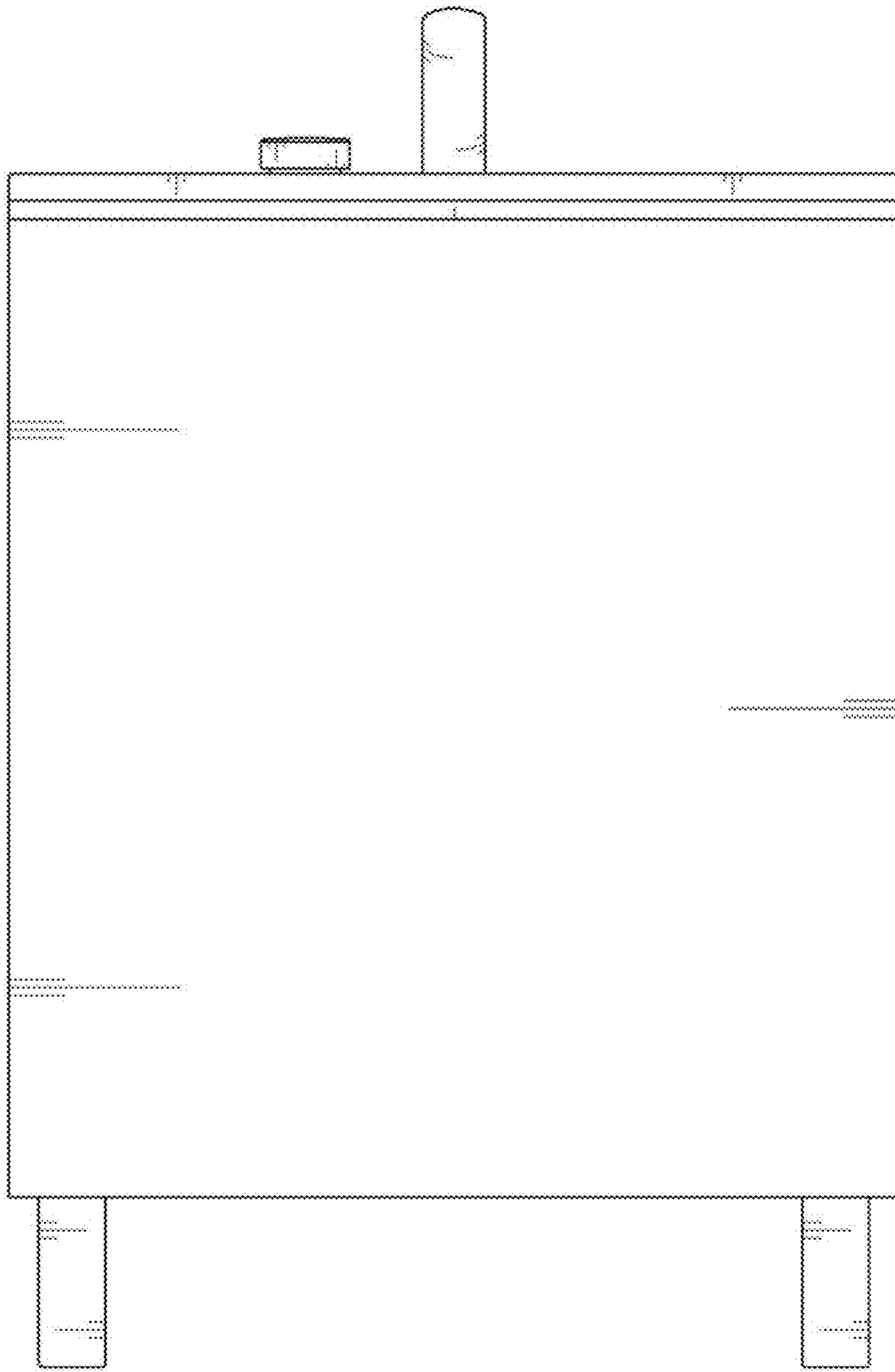
1.22



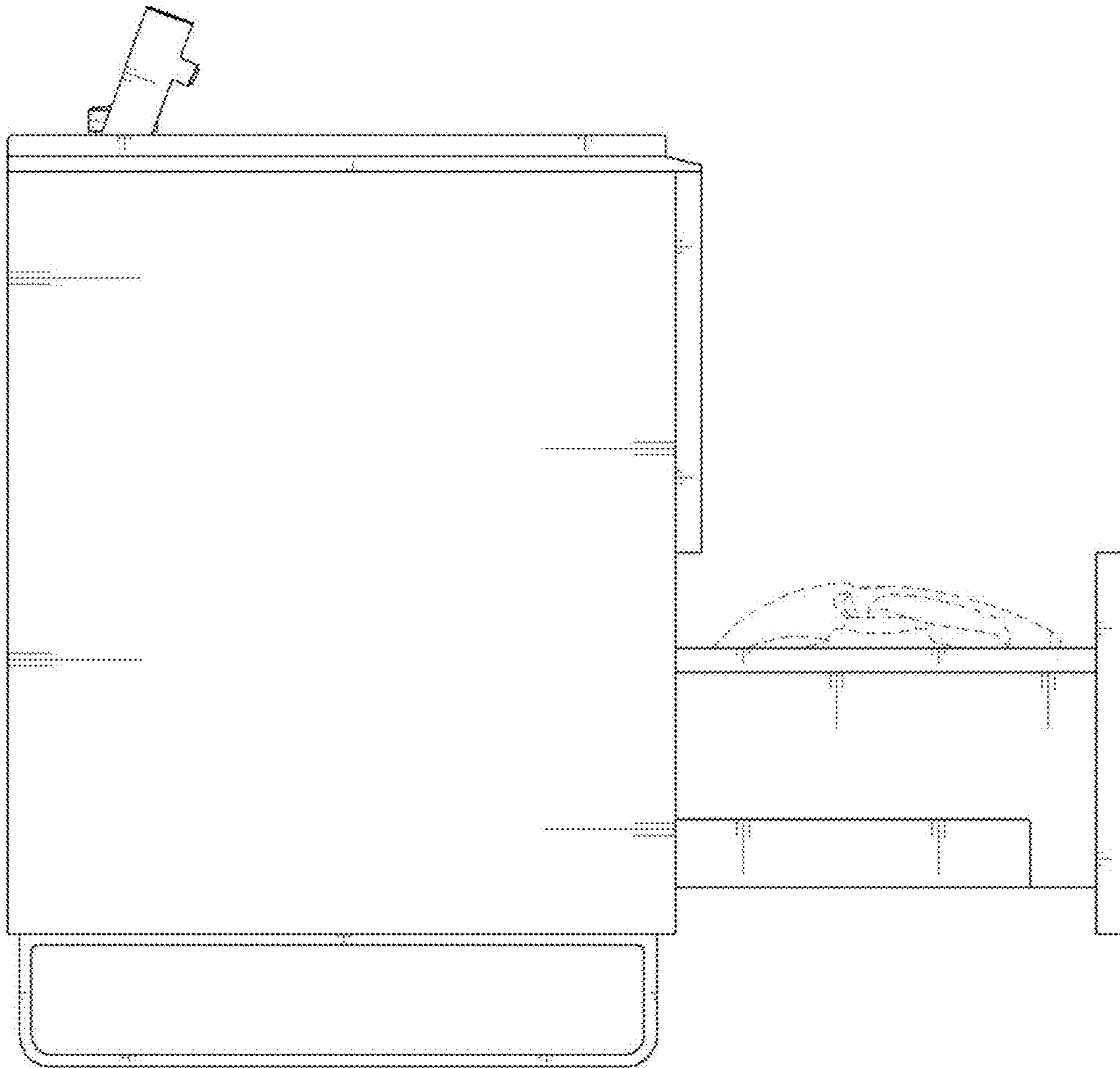
1.23



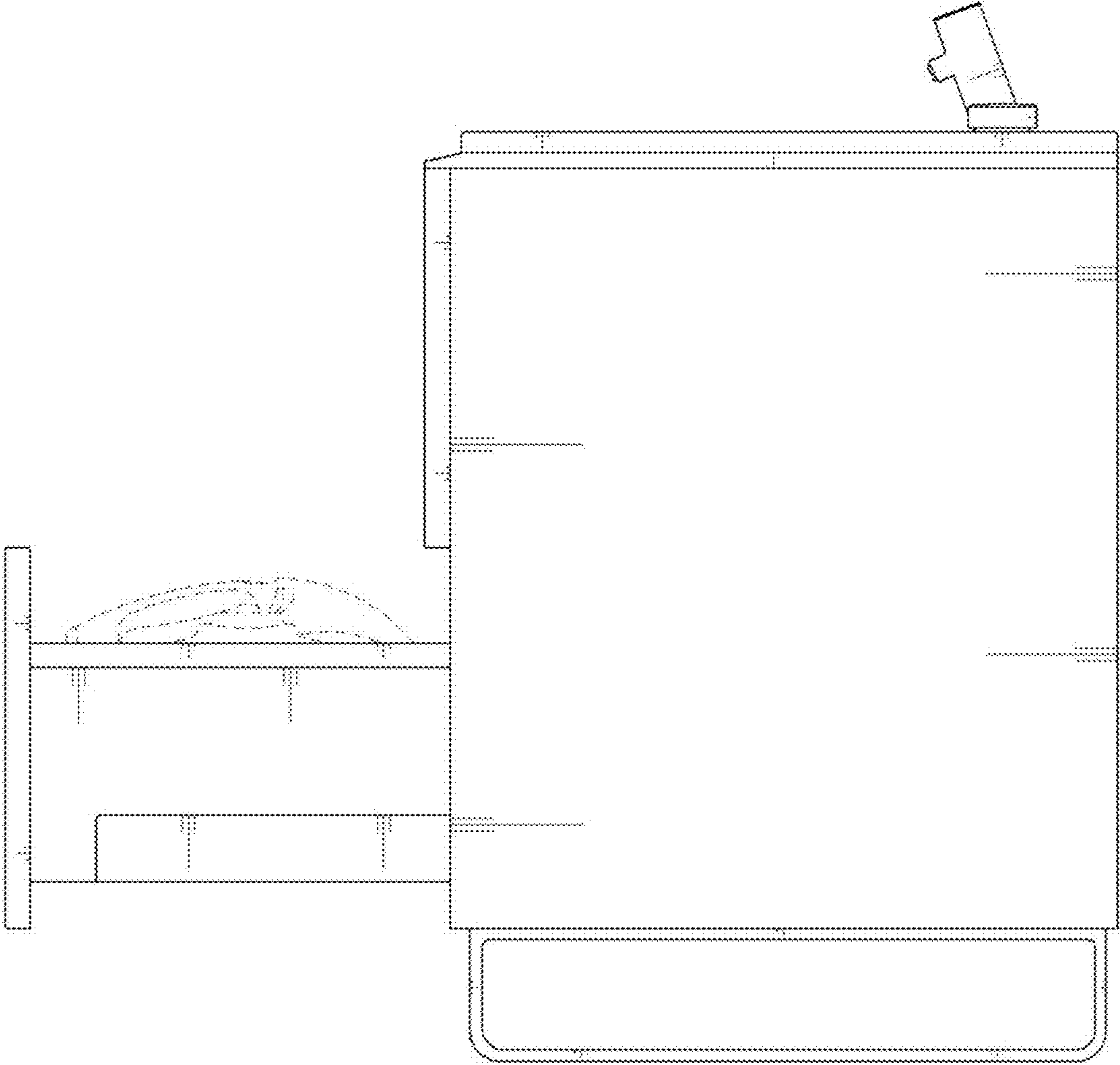
1.24



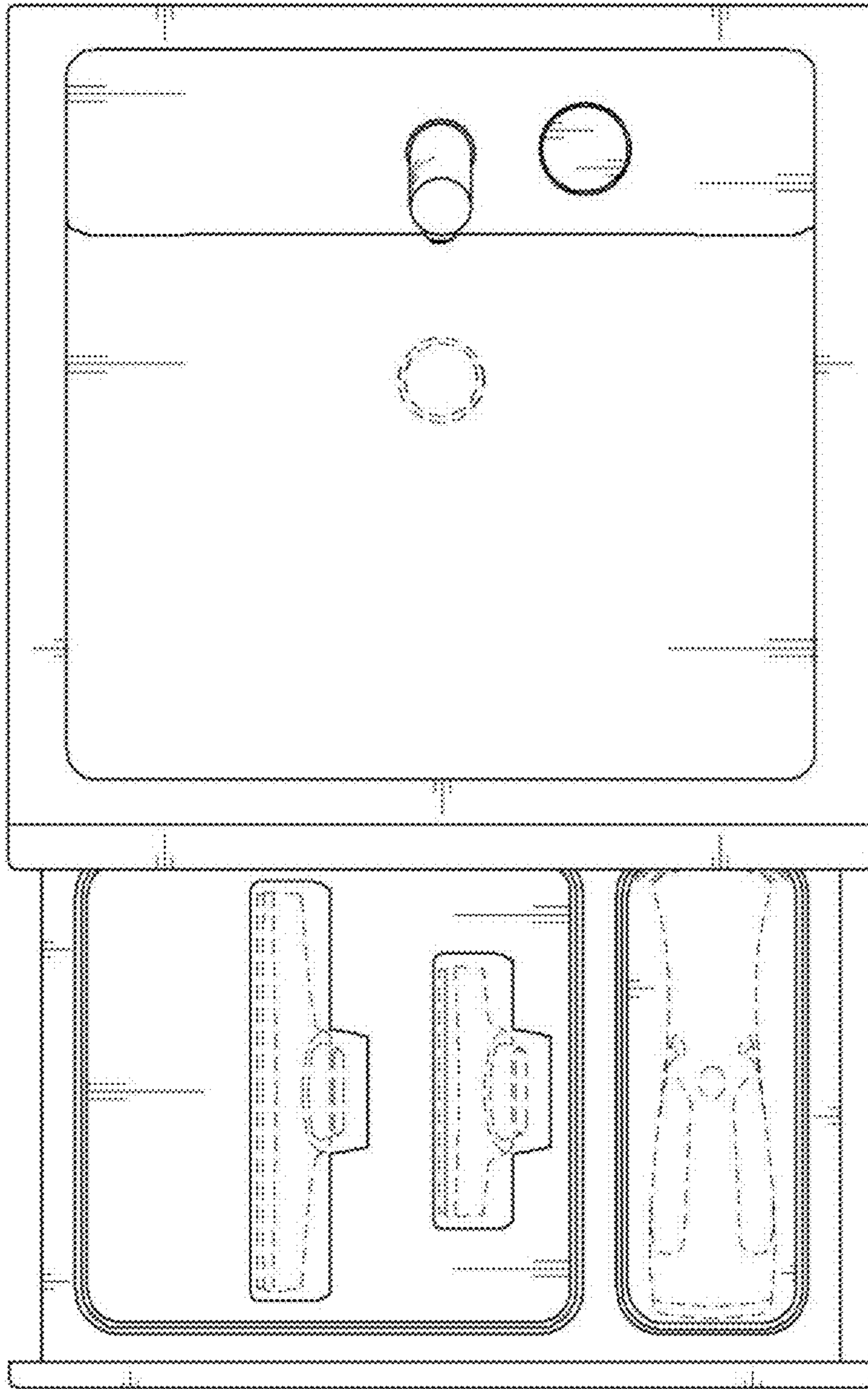
1.25



1.26



1.27



1.28

