



US00D837348S

(12) **United States Design Patent** (10) **Patent No.:** **US D837,348 S**
Rheume et al. (45) **Date of Patent:** **** Jan. 1, 2019**

- (54) **AIRCRAFT LAVATORY CABINET**
- (71) Applicant: **BOMBARDIER INC.**, Dorval (CA)
- (72) Inventors: **Michel Rheume**, St-Hippolyte (CA);
Elia Massimo Ruggi, Laval (CA)
- (73) Assignee: **BOMBARDIER INC.**, Dorval (CA)
- (**) Term: **15 Years**
- (21) Appl. No.: **29/565,146**
- (22) Filed: **May 18, 2016**
- (51) **LOC (11) Cl.** **23-02**
- (52) **U.S. Cl.**
USPC **D23/270**
- (58) **Field of Classification Search**
USPC D23/270–274; D12/345, 395; D6/332
CPC B64D 11/02; B64D 11/04; B64D 11/0606;
B61D 35/002; B61D 35/005; B61D 35/00
See application file for complete search history.

- 2007/0102579 A1 5/2007 Krieglsteiner
2011/0210203 A1 9/2011 Chua
2012/0248245 A1* 10/2012 Schliwa B61D 35/00
244/118.5
- 2012/0261509 A1 10/2012 Grant
2013/0206906 A1 8/2013 Burrows
2013/0247590 A1* 9/2013 Lu F25B 21/02
62/3.6
- 2014/0353425 A1* 12/2014 Boren, Jr. B64D 11/02
244/118.5
- 2014/0355282 A1* 12/2014 Cuddy B64D 11/04
362/471
- 2014/0359934 A1 12/2014 Schliwa
2015/0008285 A1 1/2015 Zuardy
(Continued)

(56) **References Cited**

U.S. PATENT DOCUMENTS

- 5,150,863 A * 9/1992 Hozumi B64D 11/02
244/118.5
- D455,391 S * 4/2002 Granzeier D12/345
- D486,565 S * 2/2004 Itakura D23/274
- D487,137 S 2/2004 Itakura
- D529,432 S * 10/2006 Boren D12/345
- 7,934,679 B2 5/2011 Bock
- 7,984,875 B2* 7/2011 Koehn B64C 1/1469
244/118.5
- 8,573,537 B2 11/2013 Bock
- 8,882,035 B2 11/2014 France
- D730,804 S * 6/2015 Cuddy D12/345
- 9,321,533 B2 4/2016 Cuddy
- D766,790 S * 9/2016 Sethapun D12/195
- 9,840,329 B2* 12/2017 Godecker B64D 11/04
- 2005/0116098 A1* 6/2005 Martens B64C 1/1469
244/118.5

OTHER PUBLICATIONS

Aircraft Cabin Management, www.aircraftcabinmanagement.com, accessed on Apr. 26, 2016.

Primary Examiner — Robert A Delehanty
(74) *Attorney, Agent, or Firm* — Norton Rose Fulbright
Canada LLP

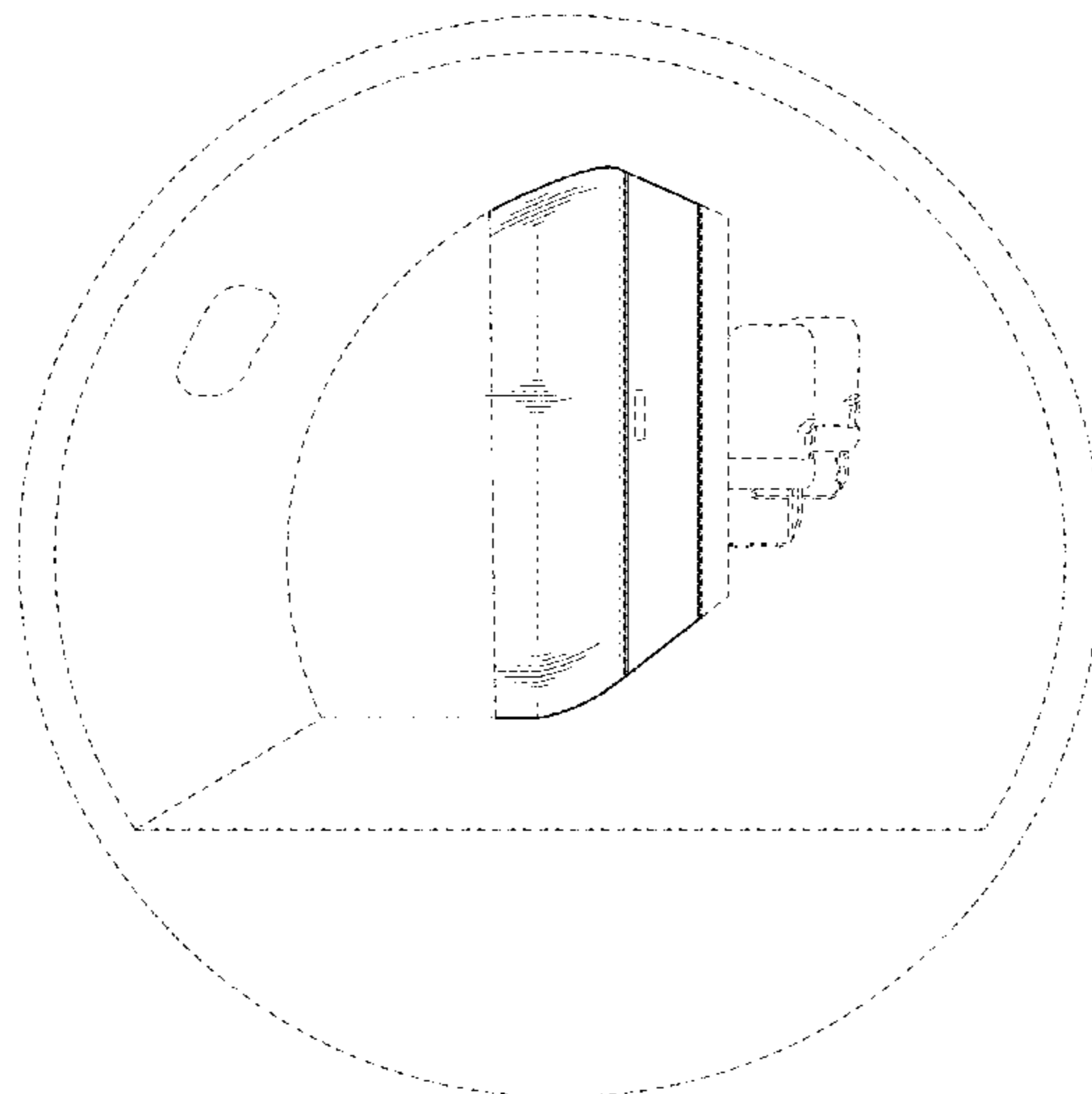
(57) **CLAIM**

We claim the ornamental design for an aircraft lavatory cabinet, as shown and described.

DESCRIPTION

FIG. 1 is a perspective view of an aircraft lavatory cabinet showing our new design;
FIG. 2 is a front view thereof;
FIG. 3 is a right side view thereof; and,
FIG. 4 is a top view thereof.
The broken lines immediately adjacent the shaded areas represent the bounds of the claimed design while all other broken lines are directed to environment and are for illustrative purposes only; the broken lines form no part of the claimed design.

1 Claim, 4 Drawing Sheets



(56)

References Cited

U.S. PATENT DOCUMENTS

2016/0052632 A1 2/2016 Mbanefo
2016/0059966 A1 3/2016 Dryburgh

* cited by examiner

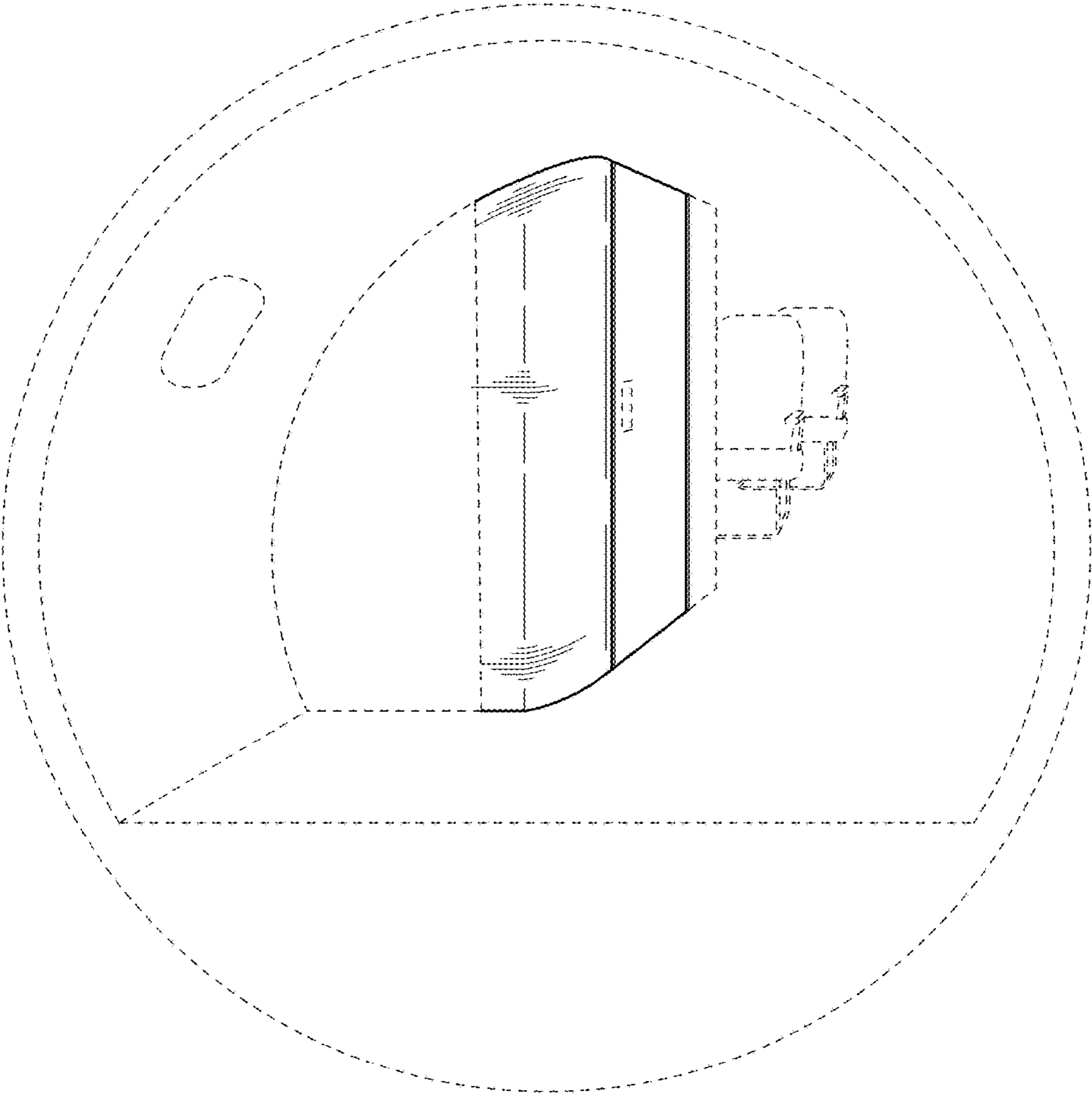


Fig. 1

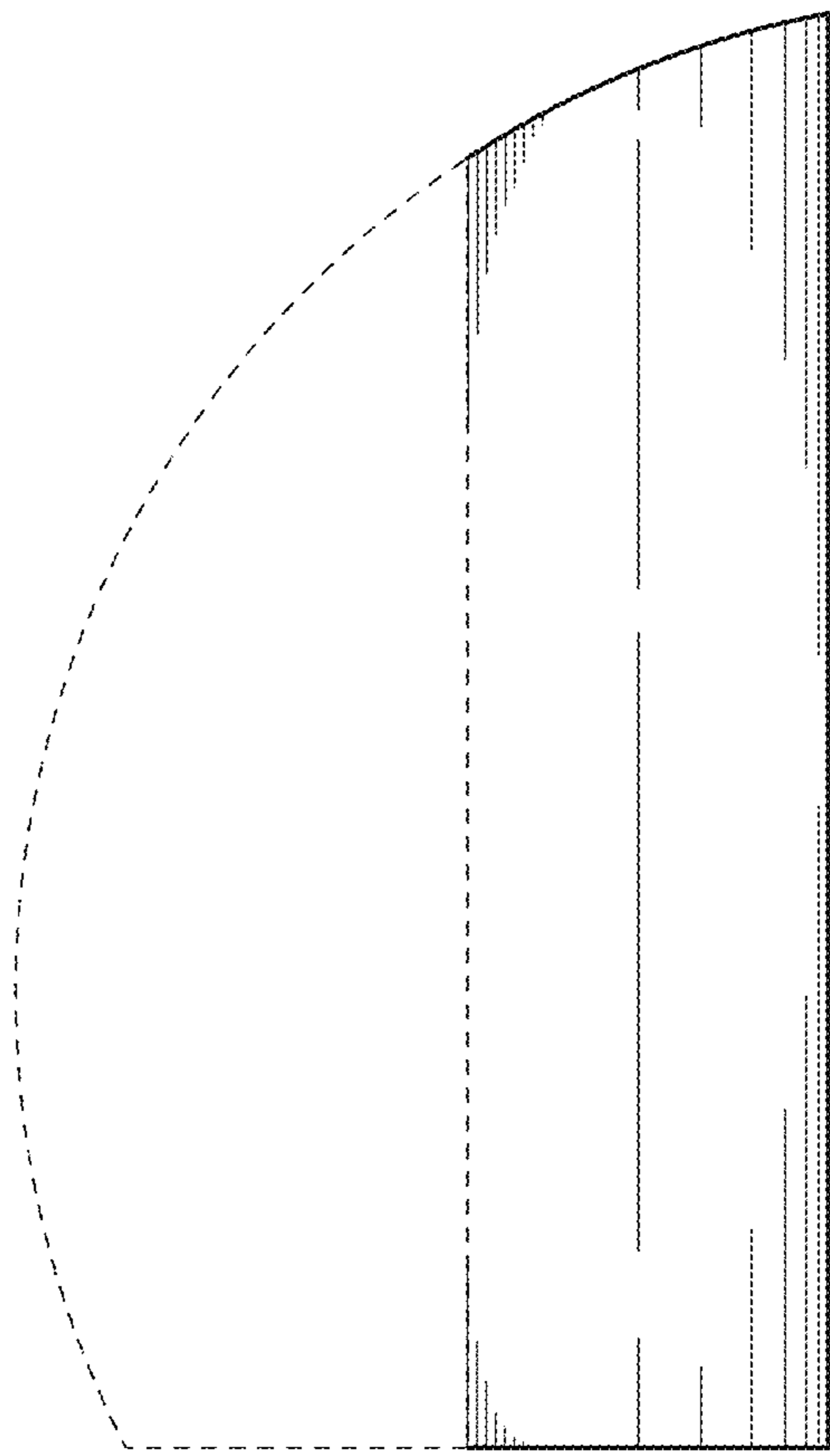


Fig. 2

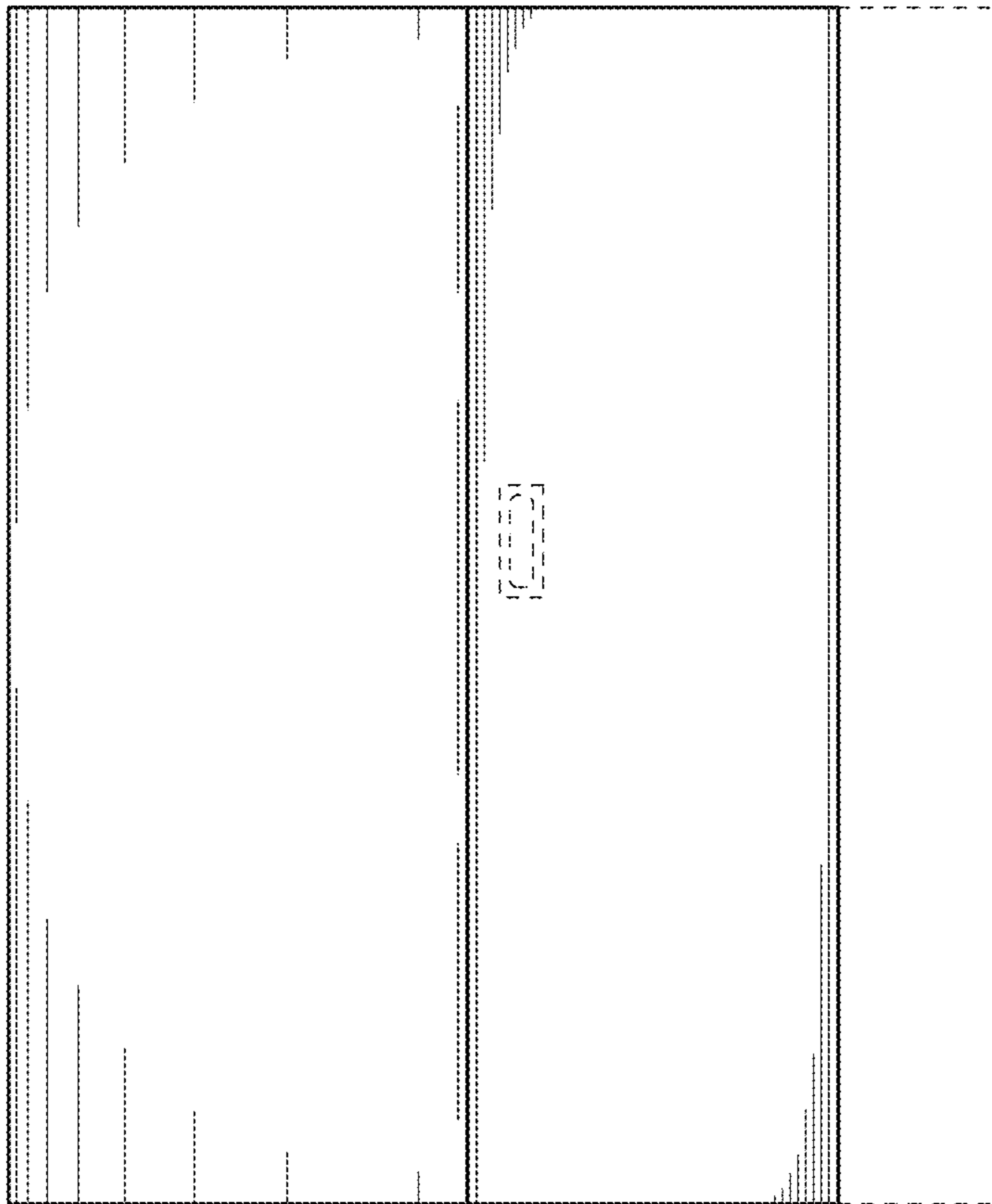


Fig. 3

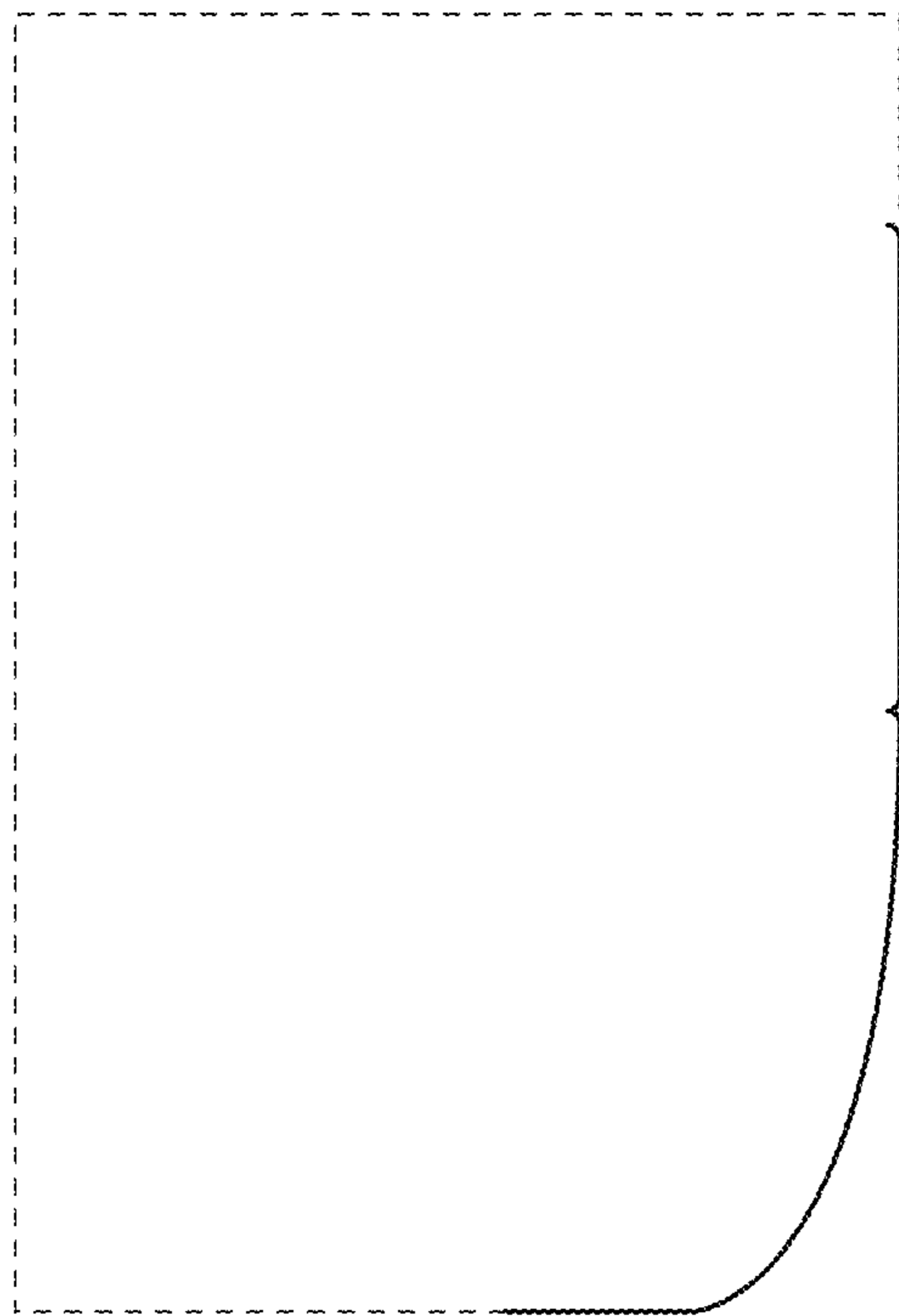


Fig. 4