



US00D837347S

(12) **United States Design Patent** (10) **Patent No.:** **US D837,347 S**  
**Brochu** (45) **Date of Patent:** **\*\* Jan. 1, 2019**

(54) **RAIN GUTTER COVER**

FOREIGN PATENT DOCUMENTS

(71) Applicant: **Stephane Brochu**, Saint-Romuald (CA)

CA 2305159 10/2001  
CA 2723499 3/2011

(72) Inventor: **Stephane Brochu**, Saint-Romuald (CA)

(Continued)

(\*\*) Term: **15 Years**

*Primary Examiner* — Cynthia Ramirez

*Assistant Examiner* — L. Martinez

(21) Appl. No.: **29/553,181**

(74) *Attorney, Agent, or Firm* — David Kulik; Williams Mullen PLLC

(22) Filed: **Jan. 29, 2016**

(51) **LOC (11) Cl.** ..... **23-01**

(57) **CLAIM**

(52) **U.S. Cl.**

The ornamental design for a rain gutter cover, as shown and described.

USPC ..... **D23/267**; D25/164

(58) **Field of Classification Search**

**DESCRIPTION**

USPC ..... D25/35, 119, 133, 138, 142, 199;  
D23/267; D26/109, 118–120; D6/580

CPC ... E04C 3/00; E04C 3/005; E04C 3/02; E04C 3/04; E04C 3/12; E04C 3/20; E04C 3/28;

E04C 3/30; E04F 19/02; E04F 19/022; E04F 19/026; E04F 19/028; E04F 19/04;

E04F 19/0436; E04F 19/0481; E04F 19/0486; E04F 19/06; E04F 19/061; E04F 19/064; E04F 2019/0404; E04F 2019/0413; E04F 2019/0422; E04F 2019/0454; E04D 13/0459; E04D 13/0477; E04D 13/0481; E04D 13/15; E04D 2013/0463; E04D 2013/0468; E04D 2013/0472; E04D 2013/0486; E04D 2013/049

See application file for complete search history.

FIG. 1 is a top perspective view of a rain gutter cover in accordance with a first variant;

FIG. 2 is a top plan view of the rain gutter cover shown in FIG. 1;

FIG. 3 is a bottom plan view of the rain gutter cover shown in FIG. 1;

FIG. 4 is a right-side elevation view of the rain gutter cover shown in FIG. 1, the left-side elevation view being a mirror image thereof;

FIG. 5 is a front elevation view of the rain gutter cover shown in FIG. 1;

FIG. 6 is a rear elevation view of the rain gutter cover shown in FIG. 1; and,

FIG. 7 is a perspective view of the rain gutter cover shown in FIG. 1, engaged with a gutter.

The broken lines in FIGS. 1 through 7 illustrate portions of the rain gutter cover that form no part of the claimed design. The other broken lines in FIG. 7 showing a gutter represent environmental subject matter only and form no part of the claimed design. The rain gutter cover is shown with a symbolic break in its length. The appearance of the jagged break lines and the portion of the rain gutter cover between the jagged break lines forms no part of the claimed design.

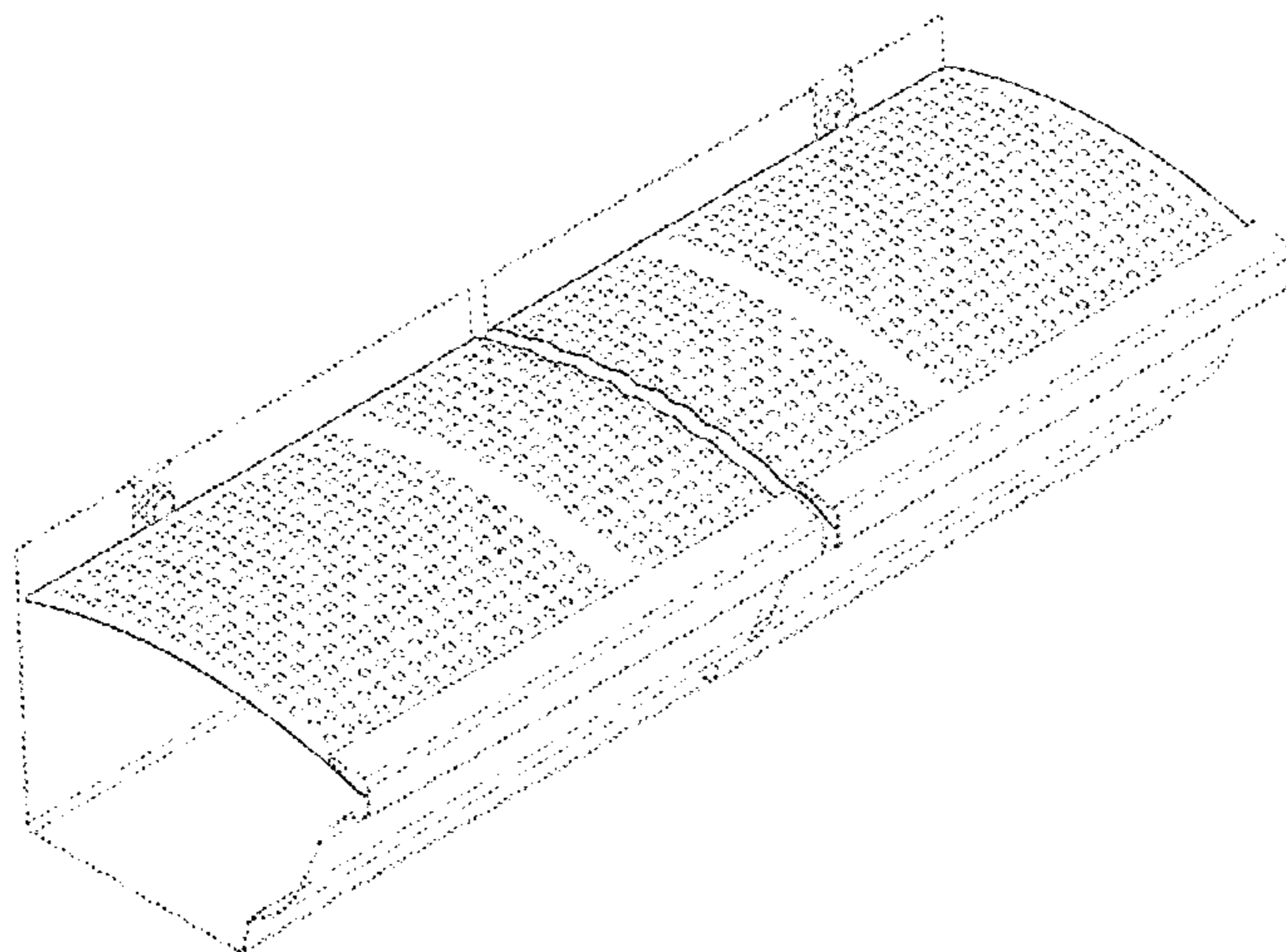
(56) **References Cited**

U.S. PATENT DOCUMENTS

D82,957 S \* 12/1930 Rachlin ..... D23/267  
D90,272 S \* 7/1933 White ..... D25/36  
2,277,443 A \* 3/1942 Livingston ..... H01H 50/56  
200/1 A  
3,042,742 A \* 7/1962 Foster ..... G01B 3/1082  
D26/88  
D215,157 S \* 9/1969 Edmonson ..... D23/267

(Continued)

**1 Claim, 5 Drawing Sheets**



(56)

References Cited

U.S. PATENT DOCUMENTS

D232,091 S \* 7/1974 Clark ..... D23/267  
 D255,886 S \* 7/1980 Flynn ..... D23/267  
 4,808,234 A \* 2/1989 McKay ..... B01D 41/04  
 5,744,218 A \* 4/1998 Barnes ..... B32B 27/00  
 5,906,287 A \* 5/1999 Kohnen ..... H02G 3/14  
 D460,197 S \* 7/2002 Stringer ..... D25/48.8  
 6,427,388 B1 8/2002 Brochu  
 D468,446 S \* 1/2003 Sender ..... D25/18  
 6,826,872 B2 12/2004 Brochu  
 D523,538 S 6/2006 Brochu  
 D523,969 S \* 6/2006 Abruzese ..... D25/56  
 D541,467 S \* 4/2007 Gould ..... D26/120  
 D551,740 S \* 9/2007 Riley ..... D23/267  
 D552,218 S \* 10/2007 Alldredge ..... D23/267  
 D569,011 S 5/2008 Brochu  
 D601,746 S \* 10/2009 Sabernig ..... D26/120  
 D621,481 S \* 8/2010 Wootton ..... D23/261  
 D621,484 S \* 8/2010 Wootton ..... D23/267  
 7,908,797 B2 \* 3/2011 Graves ..... E04D 13/076  
 D638,920 S \* 5/2011 Ealer, Sr. .... D23/267  
 D651,292 S \* 12/2011 Geers ..... D23/267  
 D657,850 S \* 4/2012 Bailey ..... D23/267  
 8,191,315 B1 6/2012 Brochu  
 8,322,082 B2 \* 12/2012 Neumann ..... E04D 13/076  
 D677,405 S \* 3/2013 Landis ..... D25/121  
 8,434,269 B1 5/2013 Brochu  
 D711,040 S \* 8/2014 Huang ..... D26/120  
 D719,648 S \* 12/2014 Moody ..... D23/267  
 D721,826 S \* 1/2015 Ryan ..... D25/124  
 D723,671 S 3/2015 Brochu  
 D735,928 S \* 8/2015 Hawkins ..... D26/120  
 D736,900 S \* 8/2015 Frelier ..... E04D 13/0765  
 9,163,406 B1 \* 10/2015 Ealer, Sr. .... E04D 13/076  
 D742,541 S \* 11/2015 Ryan ..... D25/119  
 D770,602 S \* 11/2016 Ealer, Sr. .... D23/267  
 D770,603 S \* 11/2016 Fryml ..... D23/267  
 D782,624 S \* 3/2017 Haendel ..... D23/267  
 D792,985 S \* 7/2017 Jones ..... D25/48.1  
 D796,067 S \* 8/2017 Landis ..... D25/121  
 D812,806 S \* 3/2018 Luo ..... D26/120  
 D828,946 S \* 9/2018 McVey ..... D26/85

2003/0110712 A1 6/2003 Brochu  
 2004/0060244 A1 4/2004 Brochu  
 2004/0118052 A1 6/2004 Brochu  
 2004/0244302 A1 12/2004 Neumann  
 2005/0028452 A1 2/2005 Brochu  
 2005/0115160 A1 6/2005 Brochu  
 2005/0193642 A1 9/2005 Brochu et al.  
 2005/0193671 A1 9/2005 Brochu et al.  
 2005/0223657 A1 10/2005 Brochu et al.  
 2005/0279036 A1 12/2005 Brochu  
 2006/0037255 A1 2/2006 Brochu  
 2006/0201069 A1 \* 9/2006 Richard ..... E04D 13/076  
 2007/0167130 A1 7/2007 Brochu  
 2007/0169423 A1 7/2007 Brochu  
 2008/0028687 A1 \* 2/2008 Hutchinson ..... E04D 13/076  
 2008/0190040 A1 \* 8/2008 Graves ..... E04D 13/076  
 2008/0190070 A1 8/2008 Duncan  
 2008/0289263 A1 11/2008 Brochu  
 2009/0013612 A1 1/2009 Brochu  
 2009/0019786 A1 \* 1/2009 Bachman ..... E04D 13/076  
 2009/0056234 A1 3/2009 Brochu  
 2009/0090067 A1 \* 4/2009 Demartini ..... E04D 13/076  
 2009/0108144 A1 4/2009 Brochu  
 2011/0138698 A1 \* 6/2011 Neumann ..... E04D 13/076  
 2012/0151849 A1 6/2012 Brochu  
 2013/0091780 A1 \* 4/2013 Robins ..... E04D 13/076  
 2014/0090311 A1 \* 4/2014 Iannelli ..... E04D 13/0762  
 2016/0201329 A1 \* 7/2016 Iannelli ..... E04D 13/076  
 2017/0342717 A1 \* 11/2017 Brochu ..... E04D 13/076  
 2018/0127981 A1 \* 5/2018 Brochu ..... E04D 13/076  
 2018/0216348 A1 \* 8/2018 Morris ..... E04D 13/076

FOREIGN PATENT DOCUMENTS

CA 2775864 11/2013  
 EP 1449980 8/2004  
 EP 1627974 2/2006  
 EP 2177685 4/2010  
 WO 2008134845 11/2008

\* cited by examiner

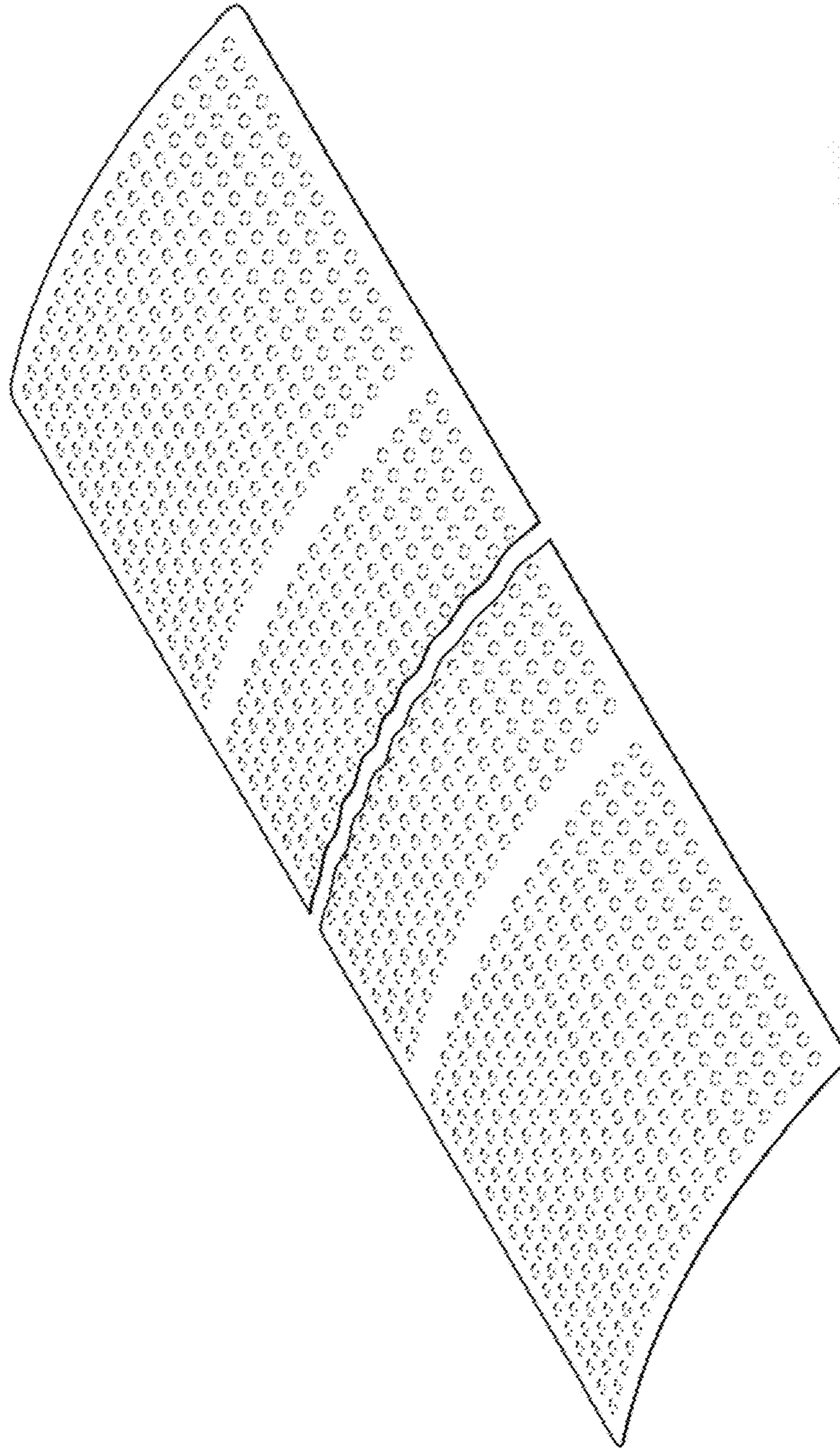


FIG. 1

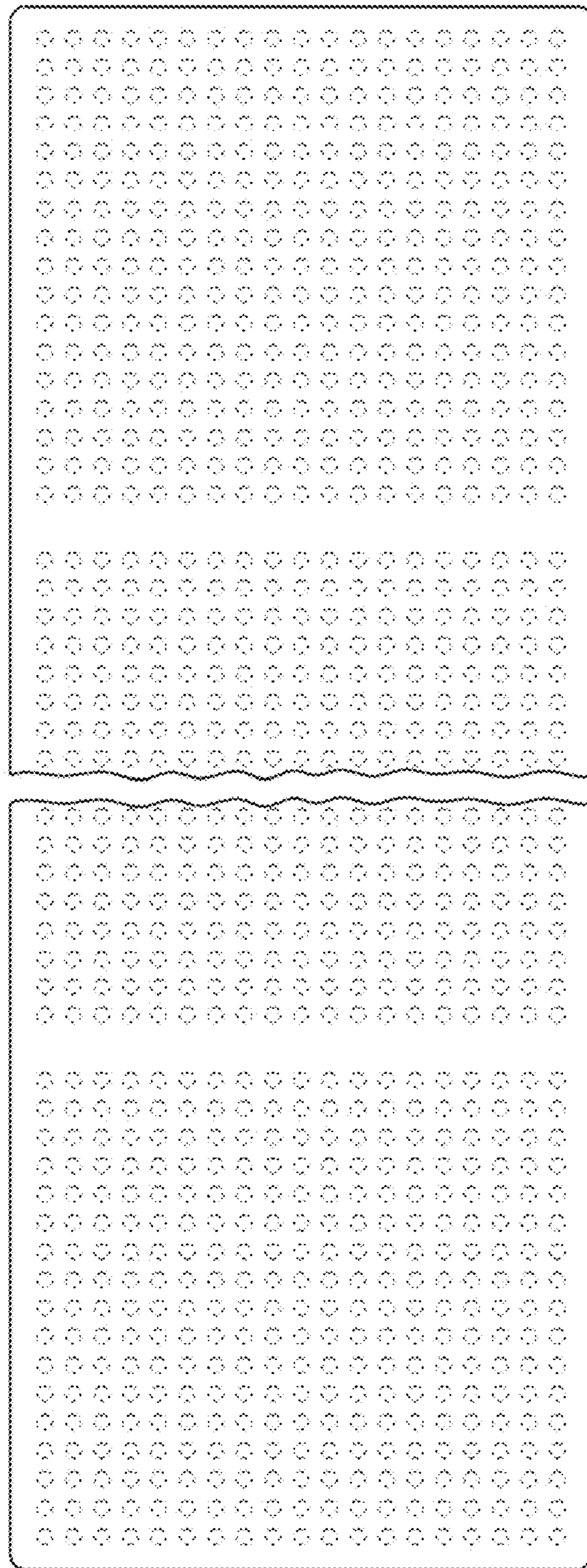


FIG. 2

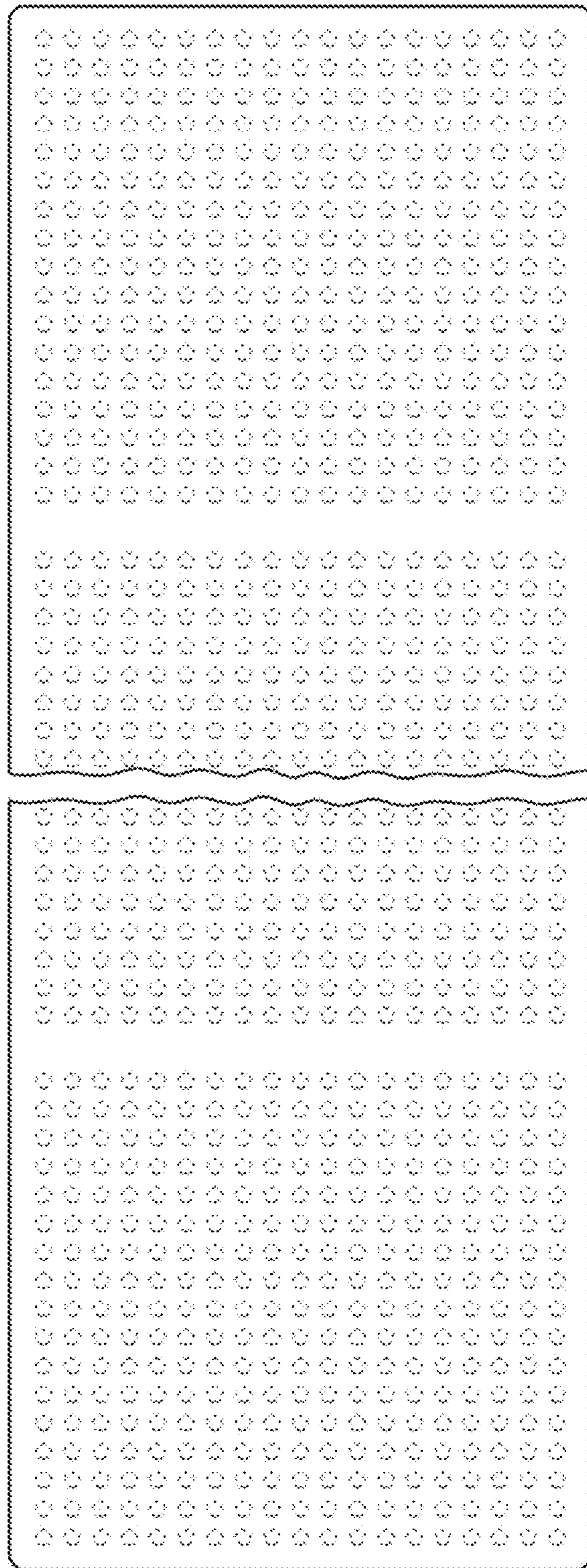


FIG. 3



FIG. 4

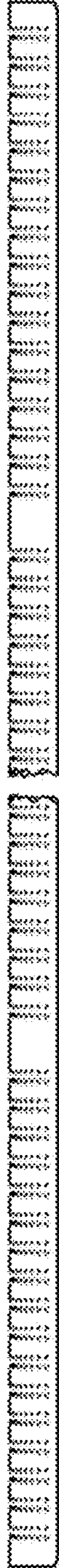


FIG. 5

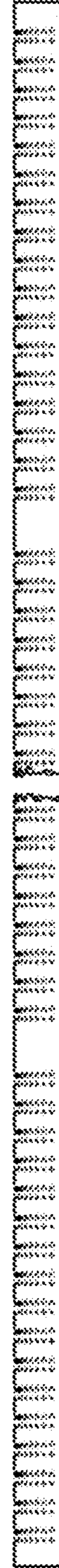


FIG. 6

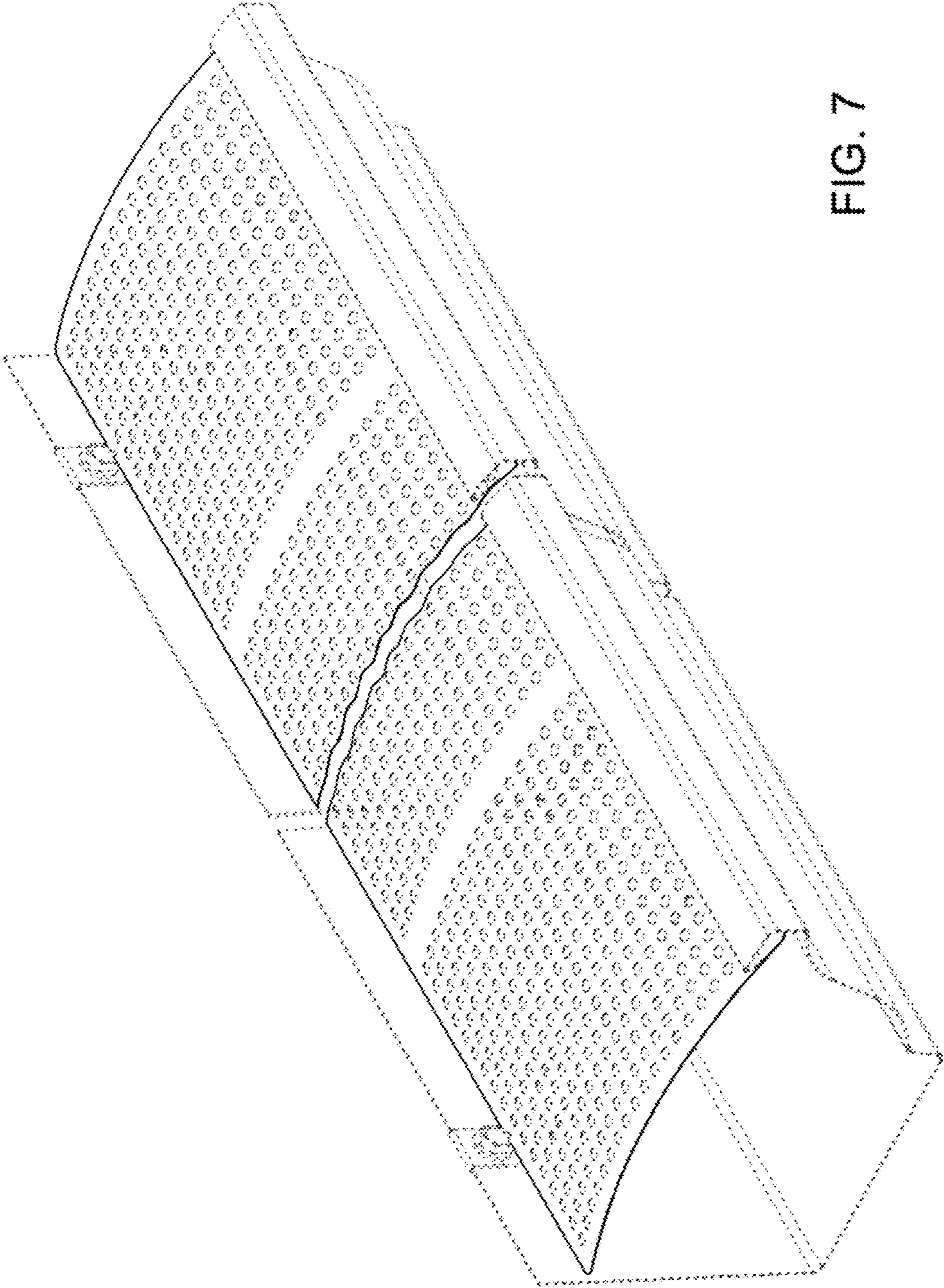


FIG. 7