



US00D837346S

(12) **United States Design Patent**  
**Lee**

(10) **Patent No.:** **US D837,346 S**  
(45) **Date of Patent:** **\*\* Jan. 1, 2019**

(54) **PIPE CONNECTOR**

(71) Applicant: **JUNG WOO METAL IND. CO., LTD.**, Gyeonggi-do (KR)

(72) Inventor: **Kwang Won Lee**, Gyeonggi-do (KR)

(73) Assignee: **JUNG WOO METAL IND. CO., LTD.**, Gyeonggi-Do (KR)

(\*\*) Term: **15 Years**

(21) Appl. No.: **29/565,594**

(22) Filed: **May 23, 2016**

(30) **Foreign Application Priority Data**

Nov. 23, 2015 (KR) ..... 30-2015-0058772

(51) **LOC (11) Cl.** ..... **23-01**

(52) **U.S. Cl.**  
USPC ..... **D23/262**

(58) **Field of Classification Search**  
USPC ..... D23/259-260, 262-266; 285/56, 189,  
285/286.1, 194

CPC ..... F16L 5/027; F16L 5/10; F16L 23/0283;  
F16L 55/00; E03D 11/00

See application file for complete search history.

(56) **References Cited**

**U.S. PATENT DOCUMENTS**

D235,343 S \* 6/1975 Otto ..... D23/262  
D238,876 S \* 2/1976 Andersoon ..... D23/262  
D254,266 S \* 2/1980 Tableriou ..... D23/262  
D282,961 S \* 3/1986 Ryan ..... D23/259

D293,710 S \* 1/1988 Woods ..... D23/265  
D296,580 S \* 7/1988 Kirkwood ..... D23/262  
D368,304 S \* 3/1996 Morrison ..... D23/262  
7,810,847 B1 \* 10/2010 Cornwall ..... F16L 5/10  
285/136.1  
D717,405 S \* 11/2014 Coronado ..... D23/259  
D733,842 S \* 7/2015 Allred ..... D23/259  
2006/0170208 A1 \* 8/2006 Arning ..... F16L 5/027  
285/56  
2009/0119826 A1 \* 5/2009 Coronado ..... E03C 1/12  
4/252.5  
2012/0175872 A1 \* 7/2012 Lindsey ..... B29C 66/322  
285/189

\* cited by examiner

*Primary Examiner* — Eric L Goodman

*Assistant Examiner* — Amy C Wierenga

(74) *Attorney, Agent, or Firm* — Workman Nydegger

(57) **CLAIM**

The ornamental design for a pipe connector, as shown and described.

**DESCRIPTION**

FIG. 1 illustrates a top left perspective view of a pipe connector incorporating the new design;  
FIG. 2 illustrates a front elevation view thereof;  
FIG. 3 illustrates a rear elevation view thereof;  
FIG. 4 illustrates a left side elevation view thereof;  
FIG. 5 illustrates a right side elevation view thereof;  
FIG. 6 illustrates a top plan view thereof;  
FIG. 7 illustrates a bottom plan view thereof; and,  
FIG. 8 illustrates a front, cross-sectional view taken along line 8-8 of FIG. 6.

**1 Claim, 8 Drawing Sheets**

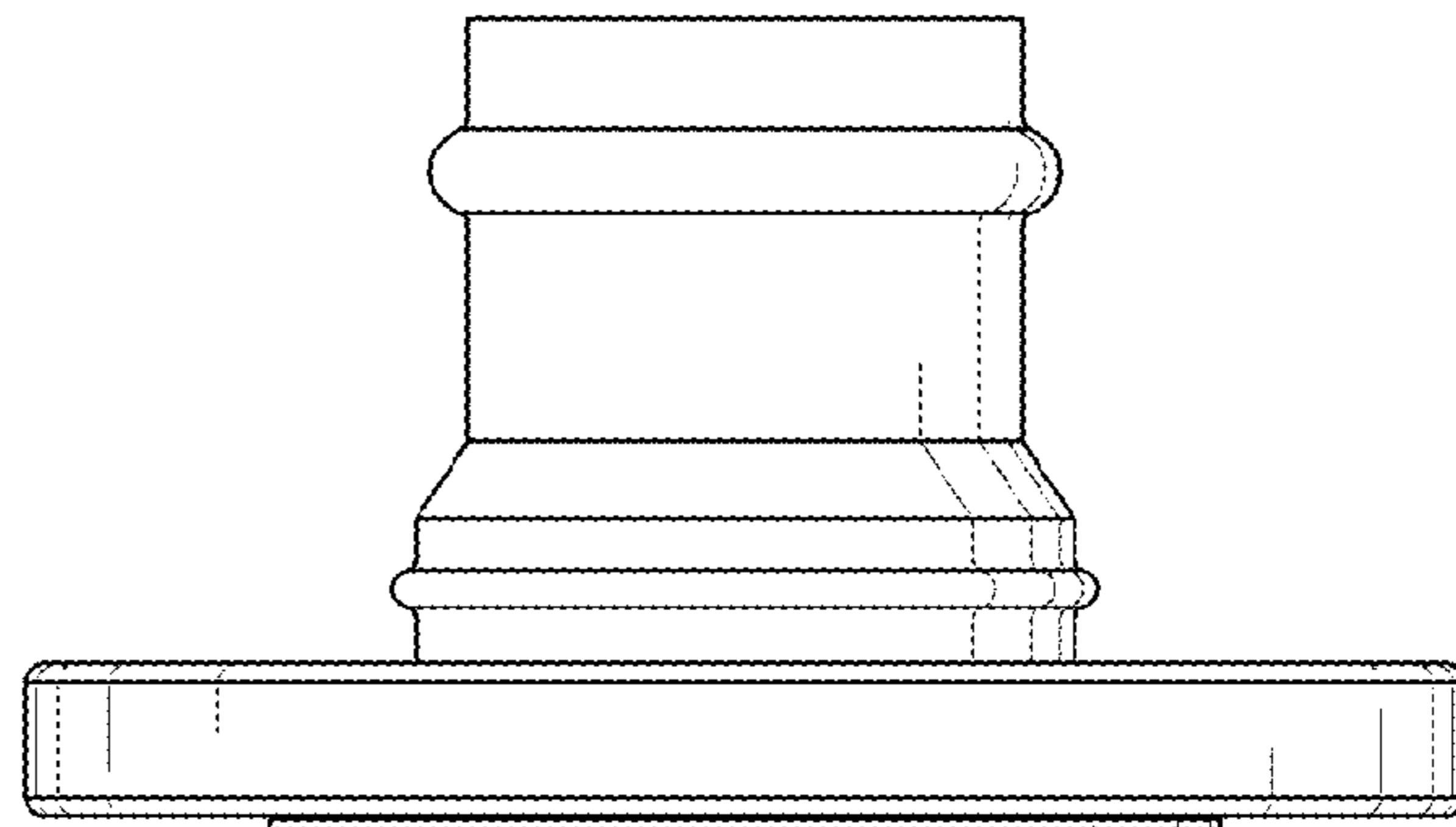
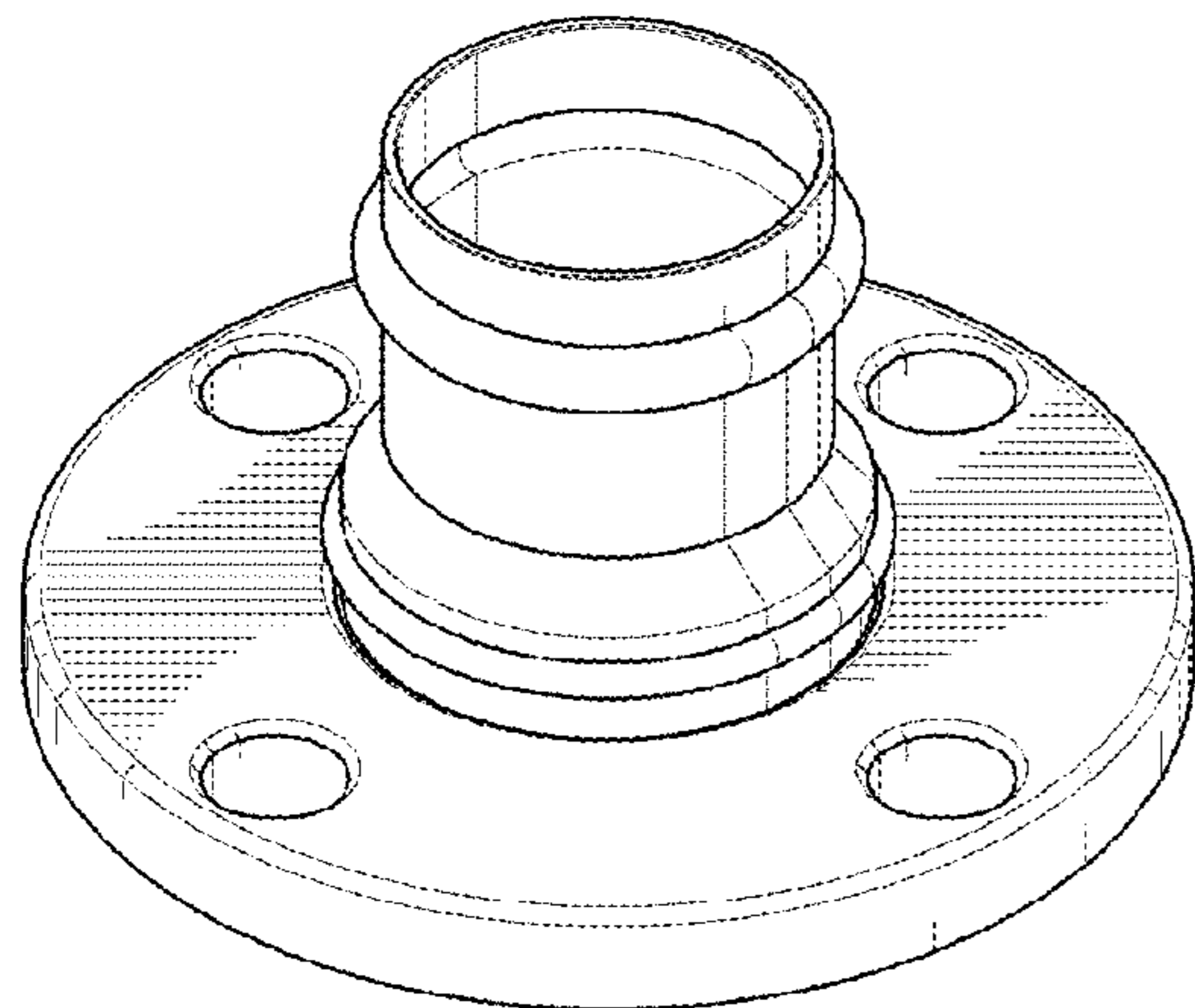


FIG.1

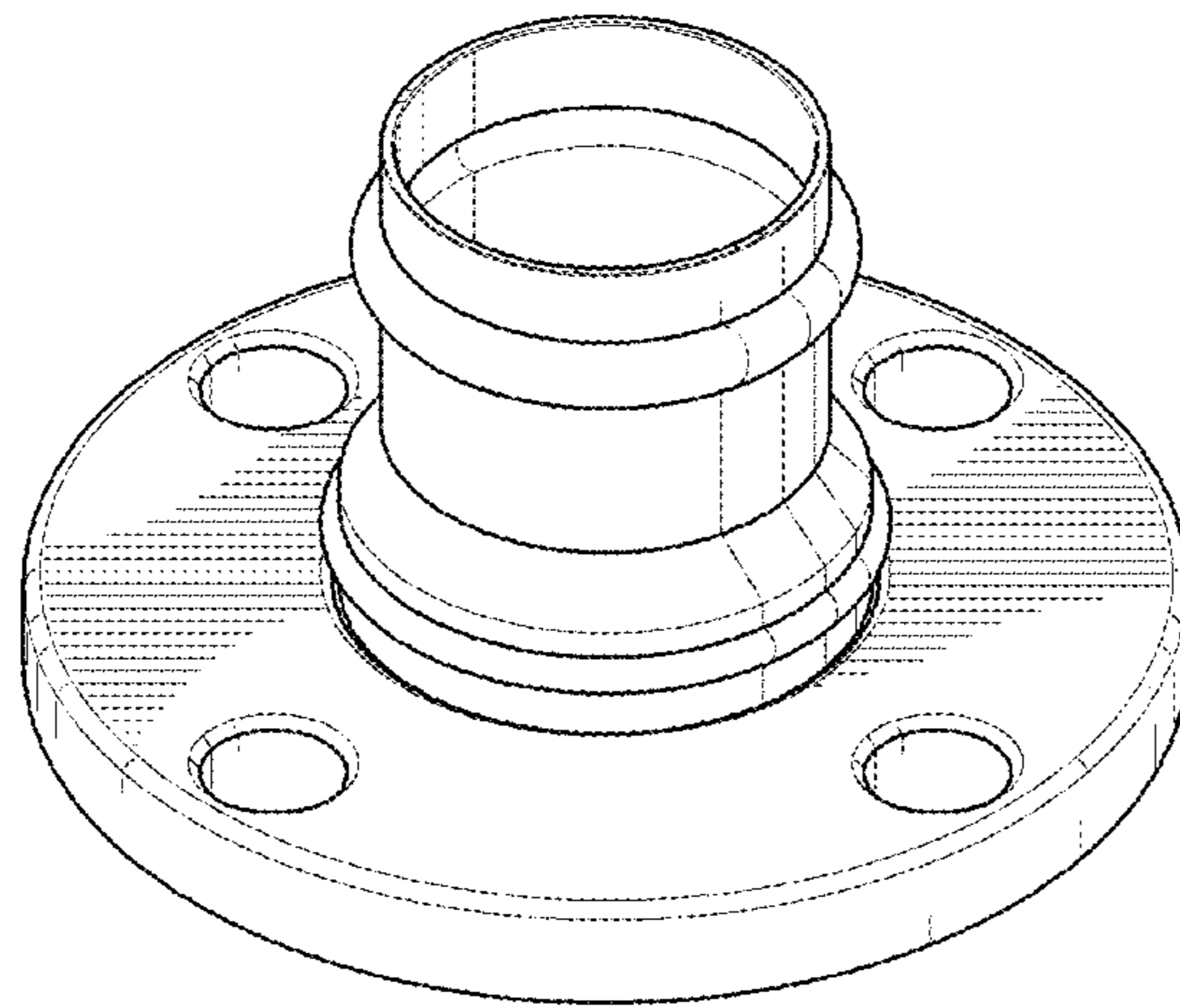


FIG.2

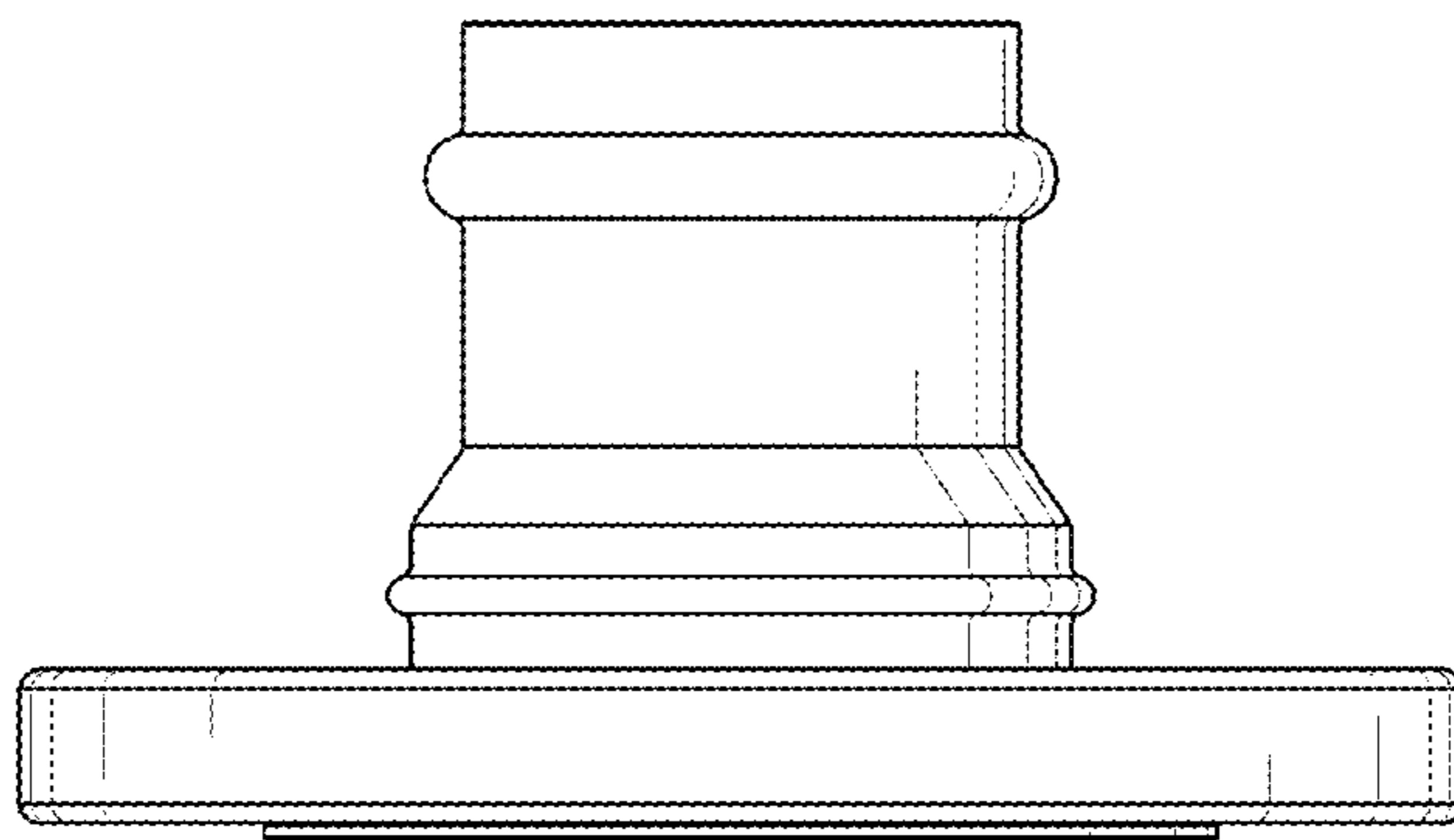


FIG.3

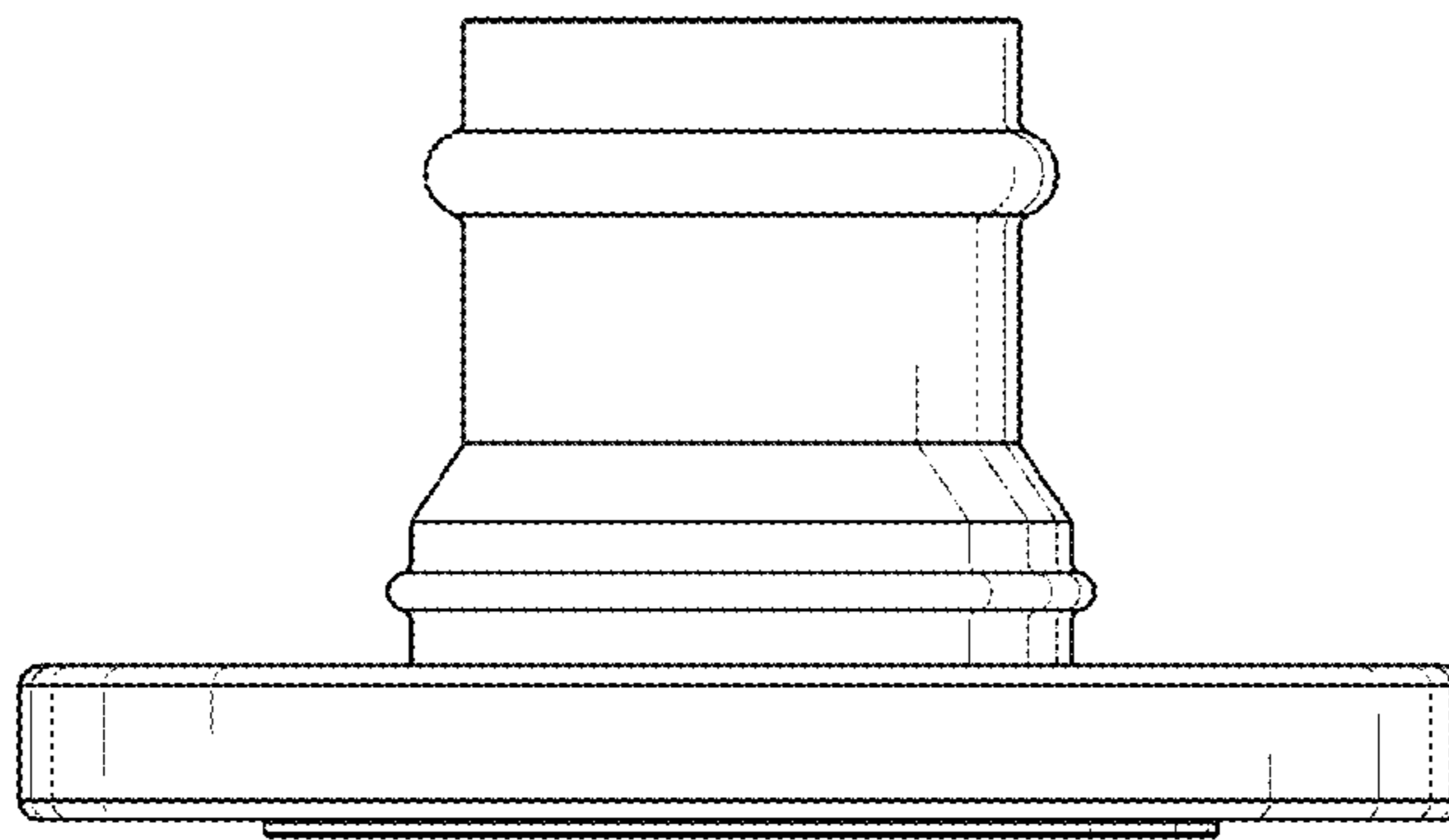


FIG.4

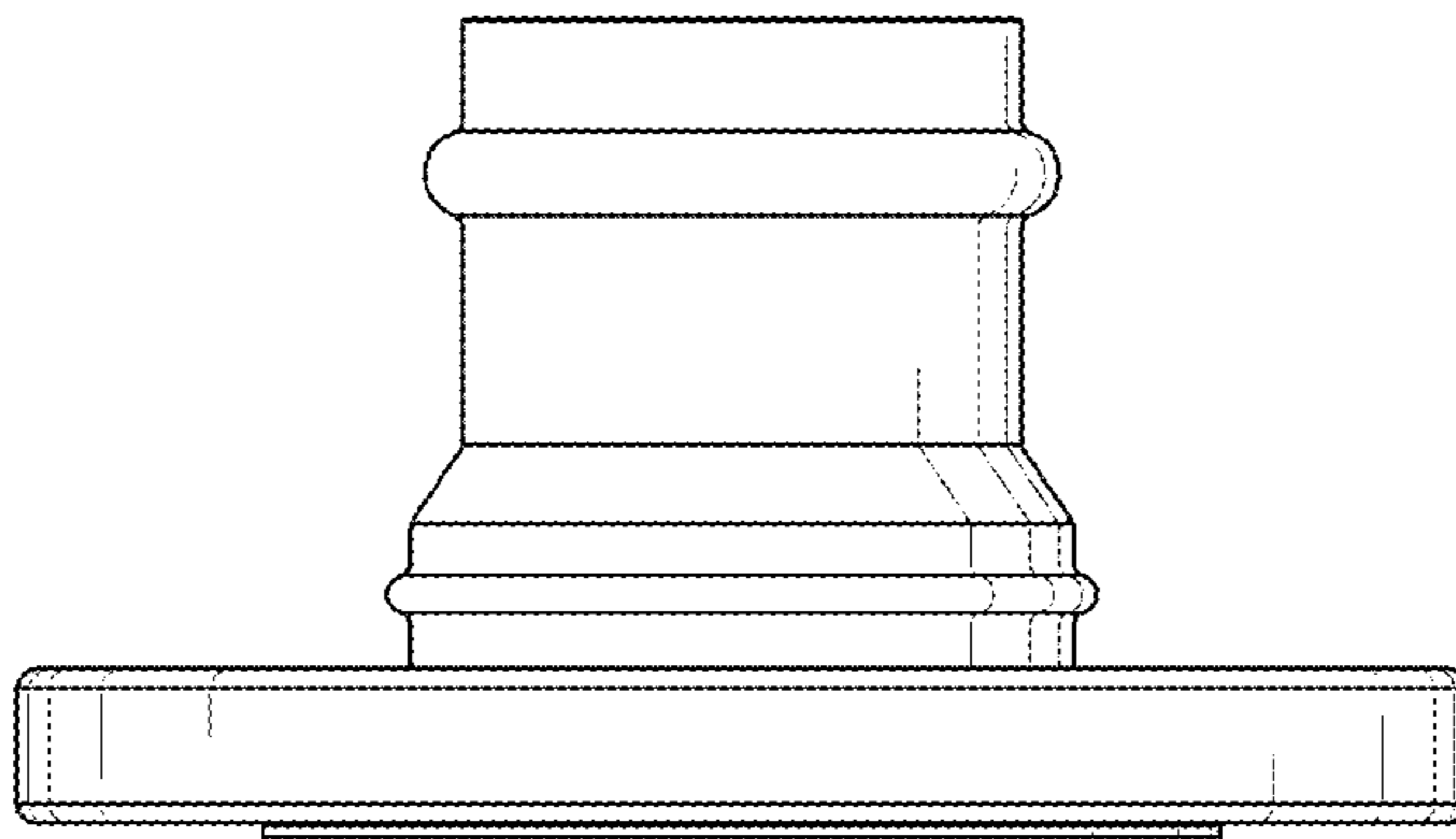


FIG.5

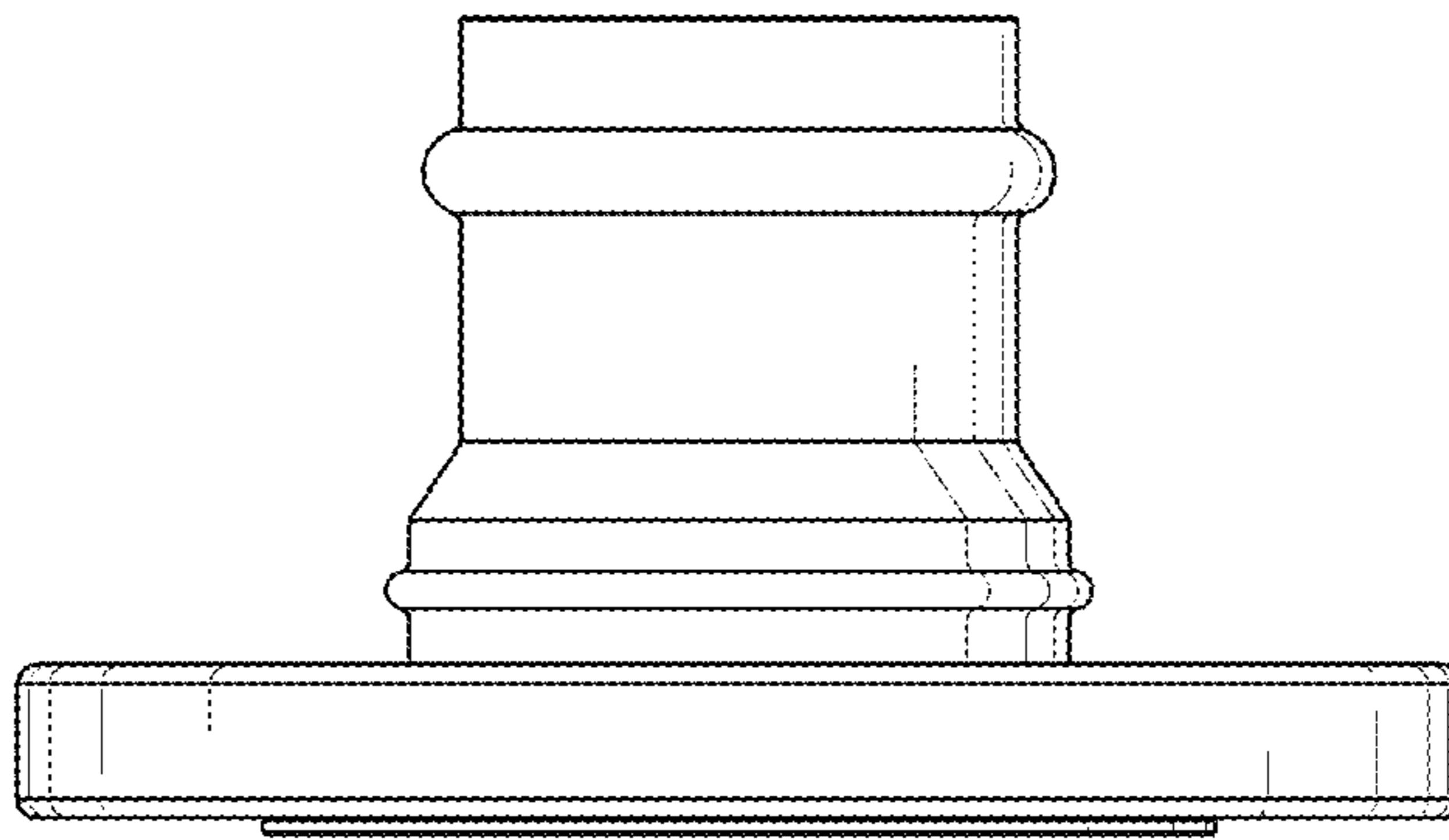


FIG.6

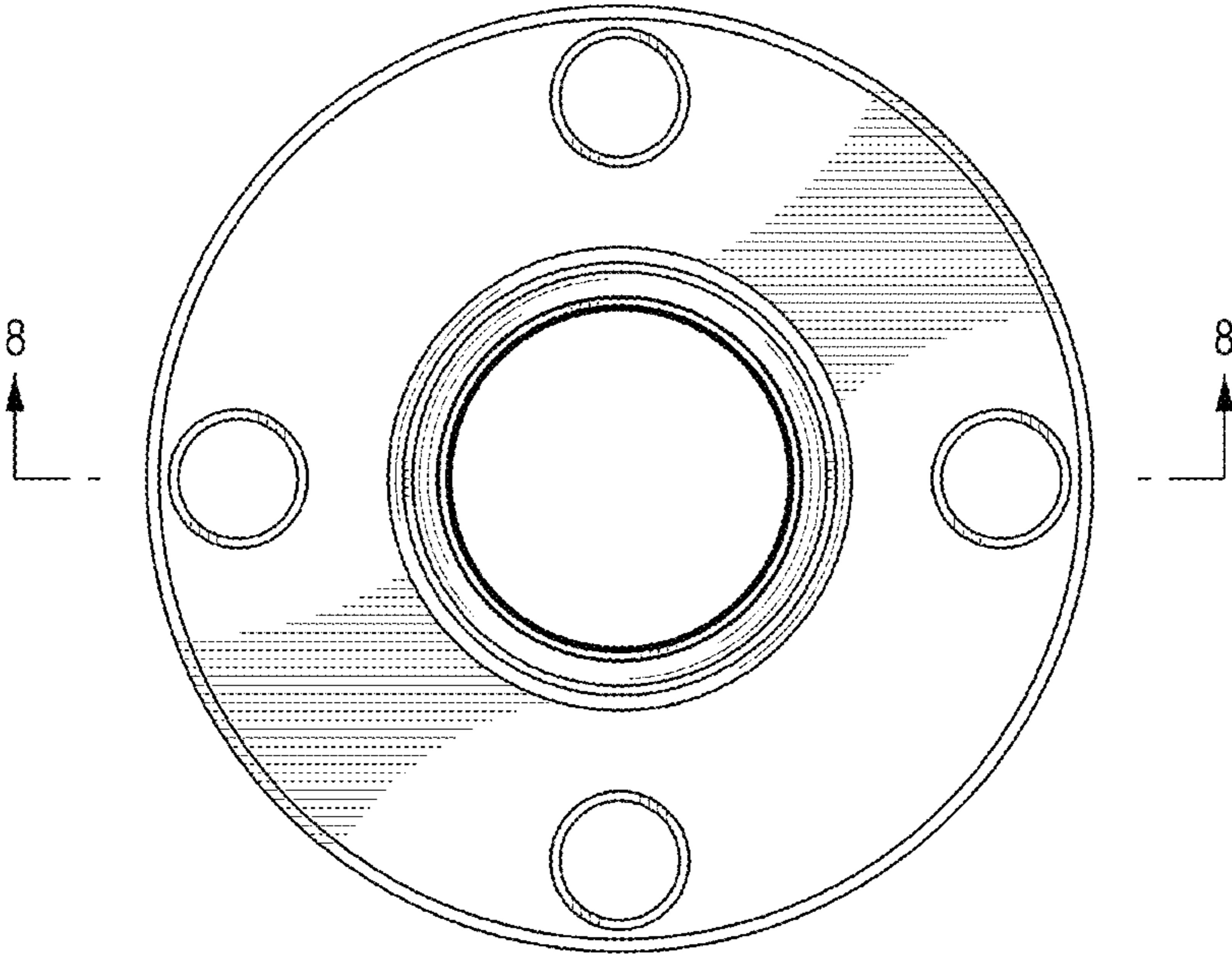


FIG.7

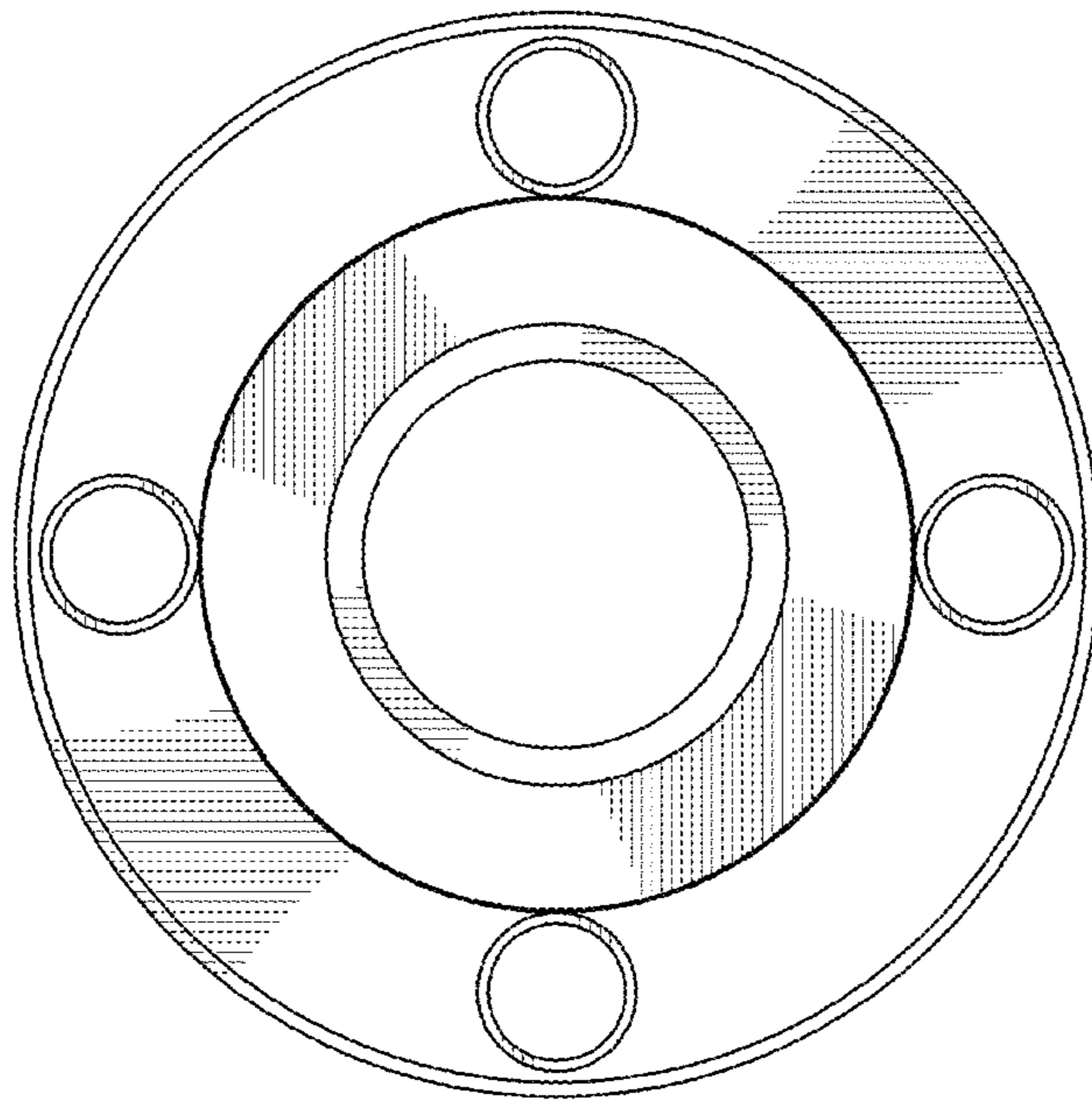




FIG.8

