



US00D837345S

(12) **United States Design Patent**
Garland et al.

(10) **Patent No.:** **US D837,345 S**

(45) **Date of Patent:** **** Jan. 1, 2019**

(54) **TUB SPOUT**

D531,279 S * 10/2006 Blomstrom D23/255
D580,520 S * 11/2008 Ko D23/241
D583,442 S * 12/2008 Montgomery D23/255

(71) Applicant: **DELTA FAUCET COMPANY**,
Indianapolis, IN (US)

* cited by examiner

(72) Inventors: **Celine Kwok Garland**, Zionsville, IN
(US); **Song Qing Liao**, Guangdong
(CN)

Primary Examiner — Robert A Delehanty

(74) *Attorney, Agent, or Firm* — Edgar A. Zarins; Nirav
D. Parikh

(73) Assignee: **DELTA FAUCET COMPANY**,
Indianapolis, IN (US)

(57) **CLAIM**

(**) Term: **15 Years**

The ornamental design for a tub spout, as shown and
described.

(21) Appl. No.: **29/630,094**

DESCRIPTION

(22) Filed: **Dec. 19, 2017**

(51) **LOC (11) Cl.** **23-01**

(52) **U.S. Cl.**
USPC **D23/257**

(58) **Field of Classification Search**
USPC D23/238–242, 249, 255, 257
CPC Y10T 137/9464
See application file for complete search history.

FIG. 1 is a perspective view of a tub spout showing our new
design;
FIG. 2 is a top plan view thereof;
FIG. 3 is a left side view thereof, the opposite side being a
mirror image of the side shown;
FIG. 4 is a front end view thereof;
FIG. 5 is a rear view thereof; and,
FIG. 6 is a bottom view thereof.

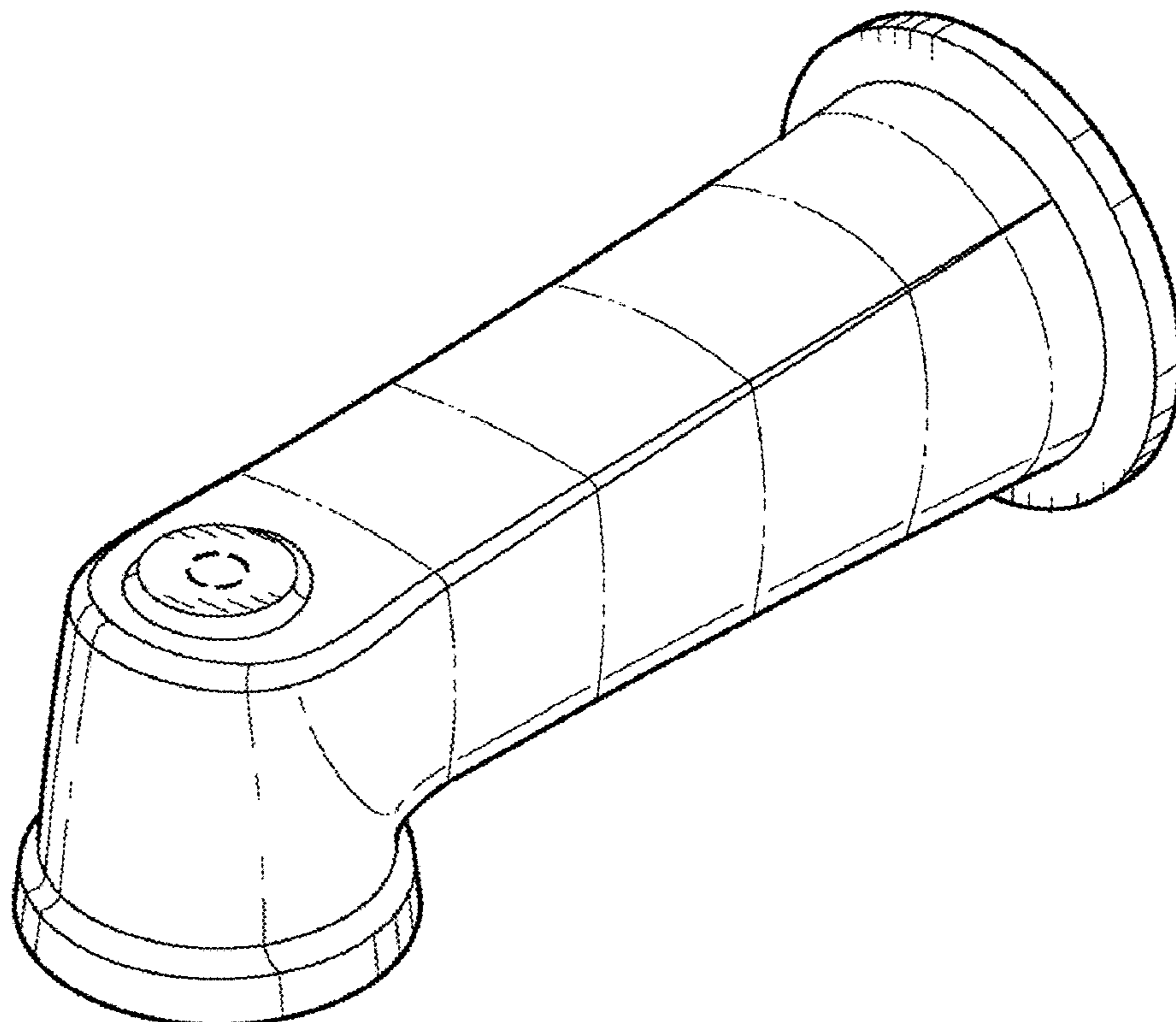
The broken-line disclosure in the view represents a portion
of the tub spout in which the claimed design is embodied,
but which forms no part of the claimed design.

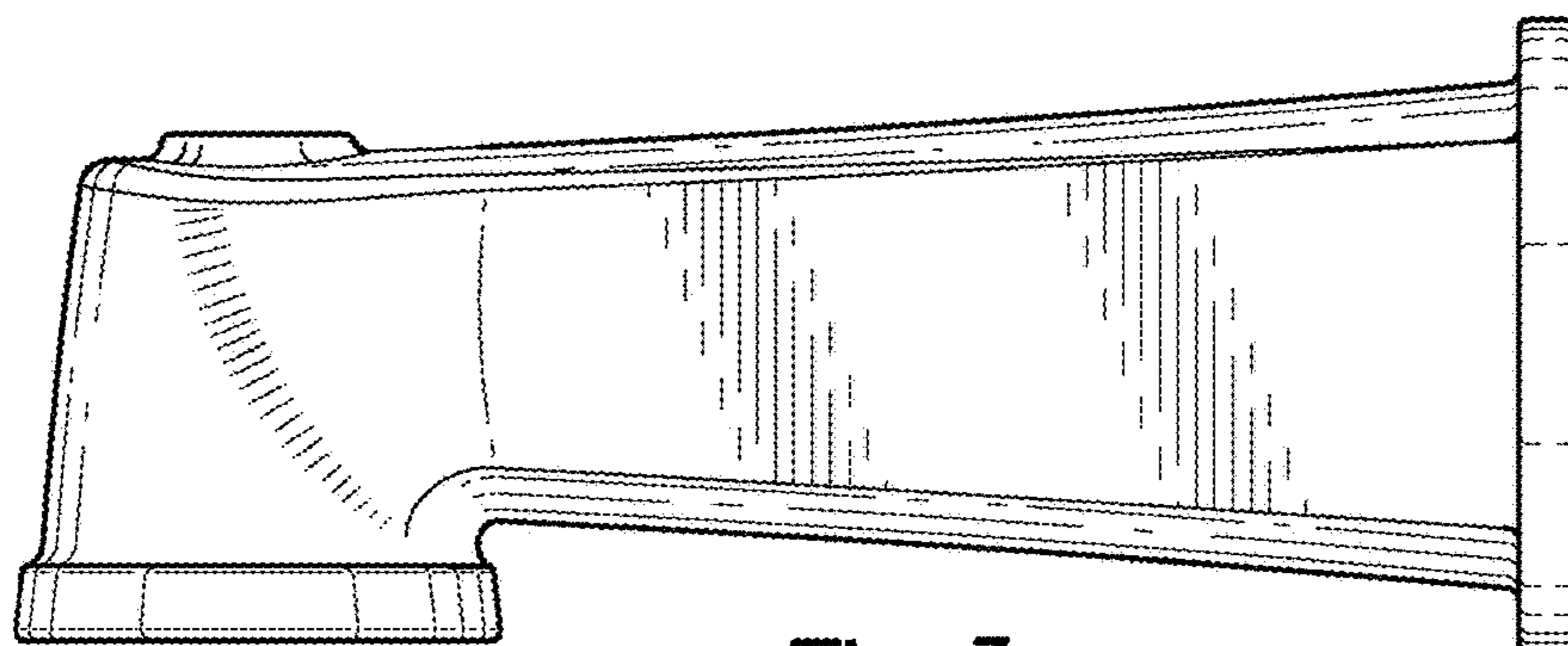
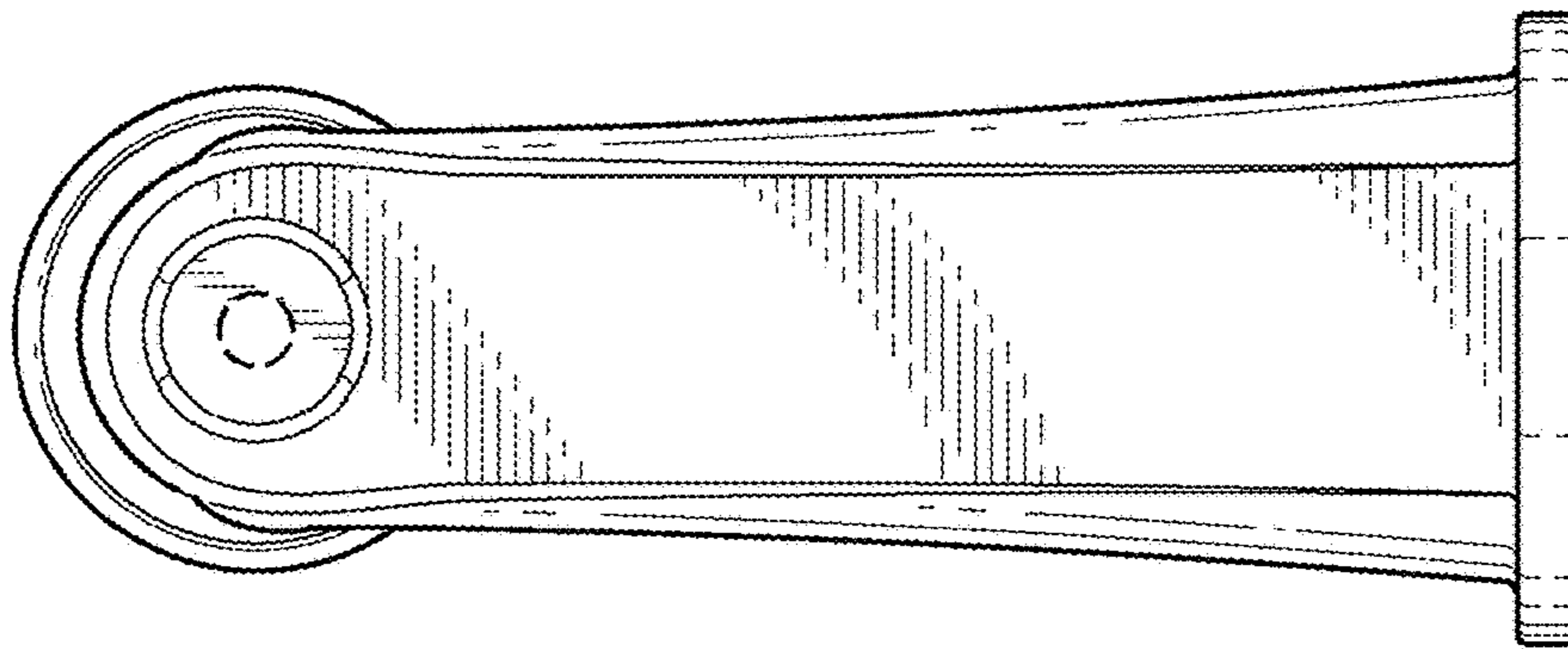
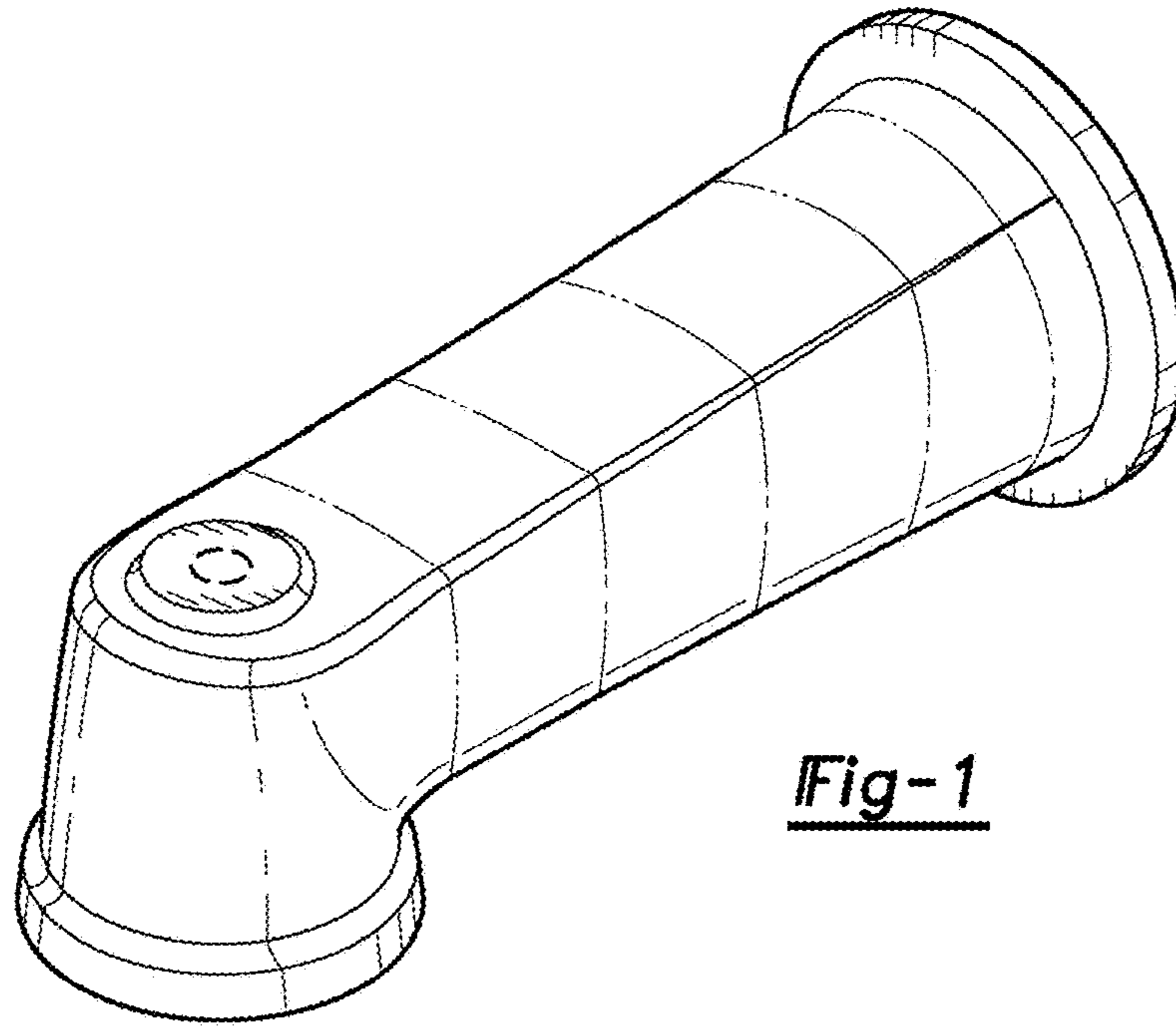
(56) **References Cited**

U.S. PATENT DOCUMENTS

D507,039 S * 7/2005 Tzeng D23/255

1 Claim, 2 Drawing Sheets





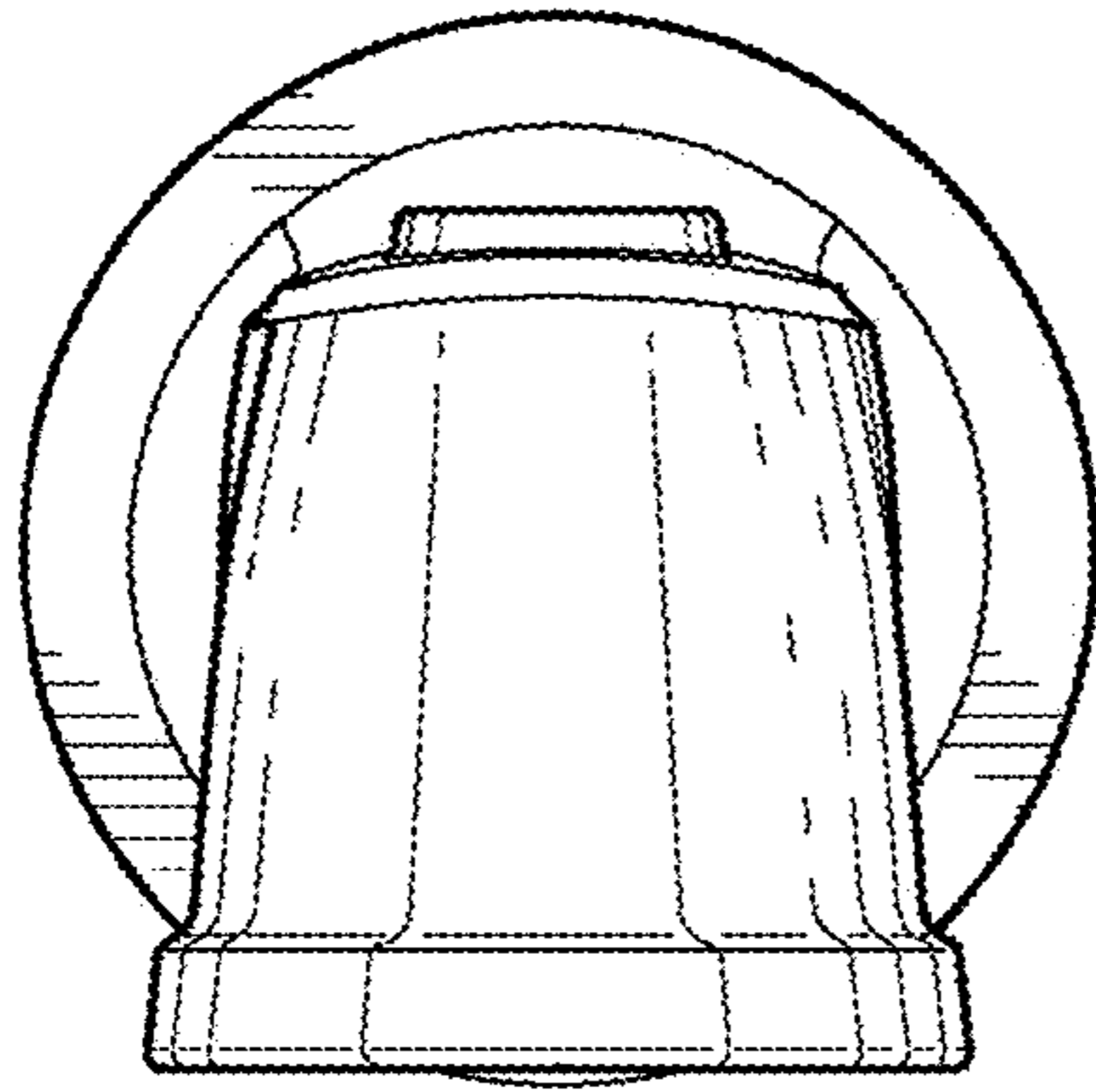


Fig-4

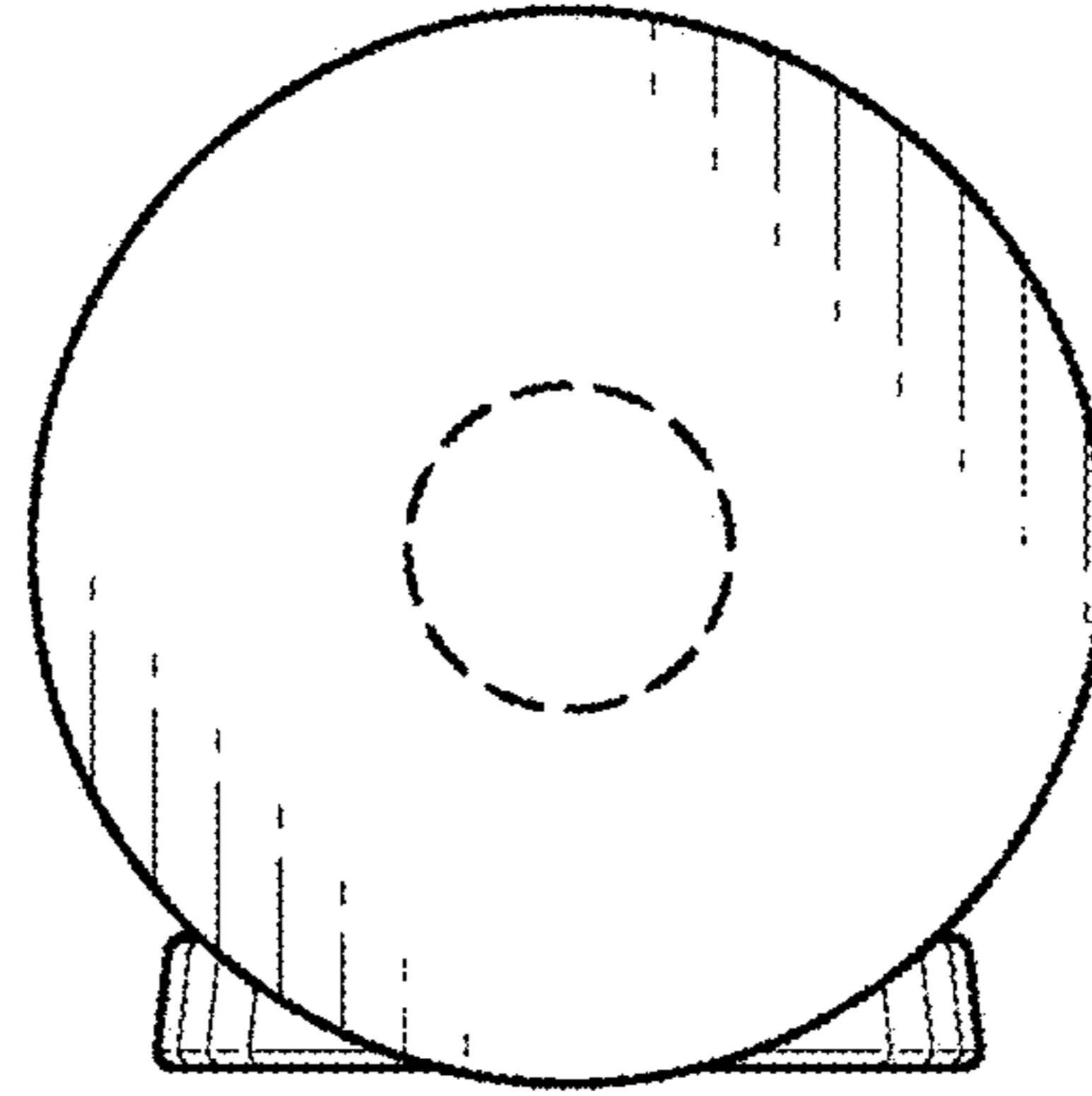


Fig-5

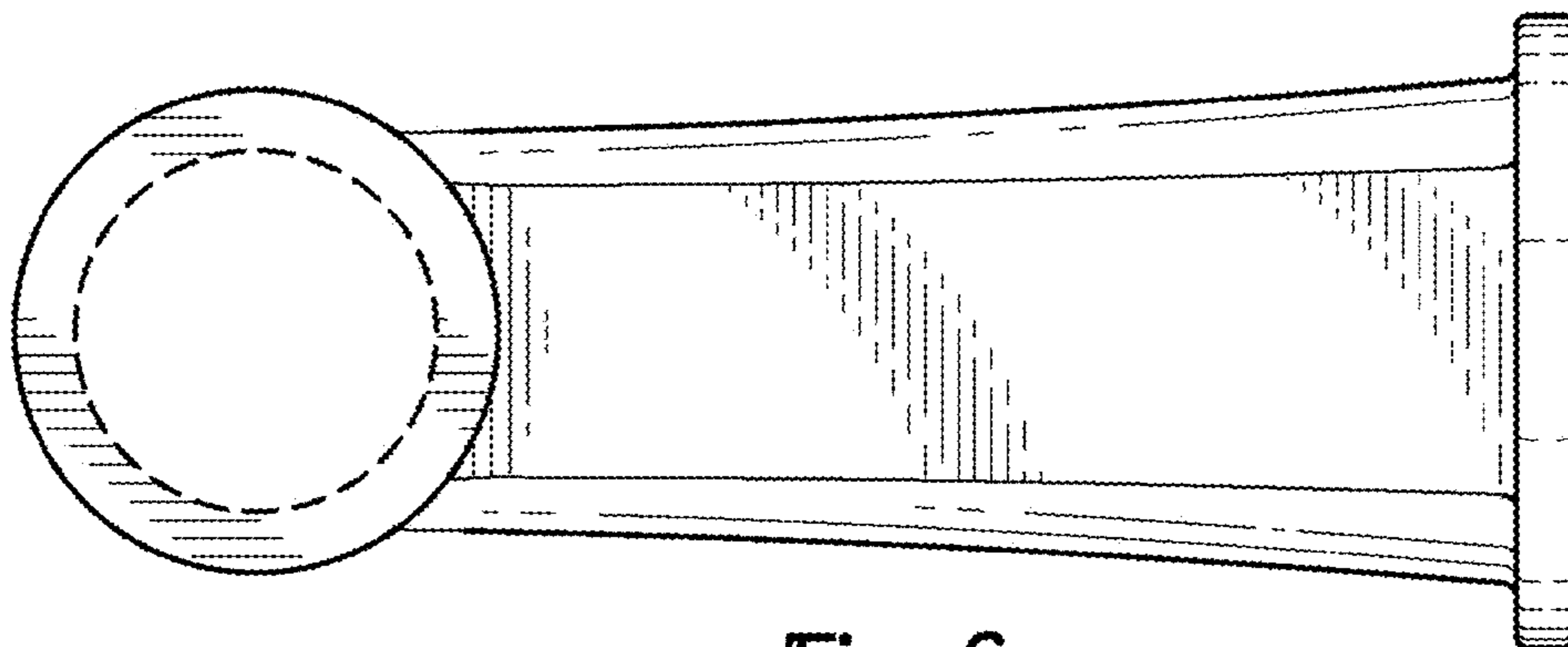


Fig-6