



US00D837341S

(12) **United States Design Patent** (10) **Patent No.:** **US D837,341 S**  
**Nikles et al.** (45) **Date of Patent:** **\*\* Jan. 1, 2019**

(54) <b>AERATOR FOR TAPS</b>	D150,037 S * 6/1948 Simpson ..... D9/629
	D168,416 S * 12/1952 McGinnis ..... D9/629
(71) Applicant: <b>NIKLES TEC ITALIA S.R.L.</b> , Brescia (IT)	D187,753 S * 4/1960 Lustman ..... D9/629
	5,390,510 A * 2/1995 Tirio-Cloonan ..... A44C 15/002
	132/294
(72) Inventors: <b>Gerhard Nikles</b> , Brescia (IT); <b>Alberto Morbio</b> , Brescia (IT)	D383,061 S * 9/1997 Kolby-Larsen ..... D9/629
	D411,443 S * 6/1999 Bakic ..... D9/629
	D523,757 S * 6/2006 Garcia ..... D9/418
	D536,622 S * 2/2007 Modjeski ..... D9/629
(73) Assignee: <b>NIKLES TEC ITALIA S.R.L.</b> , Carpenedolo (Brescia) (IT)	D790,354 S * 6/2017 Veletakos ..... D9/538

(\*\*) Term: **15 Years**

(21) Appl. No.: **35/503,205**

(22) Filed: **Mar. 1, 2017**

(80) **Hague Agreement Data**

Int. Filing Date: **Mar. 1, 2017**

Int. Reg. No.: **DM/096419**

Int. Reg. Date: **Mar. 1, 2017**

Int. Reg. Pub. Date: **Jun. 23, 2017**

(30) **Foreign Application Priority Data**

Sep. 2, 2016 (WO) ..... DM/094193

(51) **LOC (11) Cl.** ..... **23-01**

(52) **U.S. Cl.**

USPC ..... **D23/213**

(58) **Field of Classification Search**

USPC ..... D23/213, 222, 249; D7/397, 398, 518, D7/521, 313; 239/428.5; 261/DIG. 22; D9/629, 600, 624, 661, 662

CPC ..... E03C 1/084; C02F 3/16

See application file for complete search history.

(56) **References Cited**

U.S. PATENT DOCUMENTS

D3,100 S \* 7/1868 Hart ..... D9/629

D79,380 S \* 9/1929 Norton et al. .... D28/91.1

**OTHER PUBLICATIONS**

[Online] <http://www.nikles.com/en/products/accessories/aerator-lips-m22-abs>. Retrieved May 12, 2018.\*

\* cited by examiner

*Primary Examiner* — Melanie Pellegrini  
(74) *Attorney, Agent, or Firm* — Thomas I Horstemeyer, LLP

(57) **CLAIM**

The ornamental design for an aerator for taps, as shown and described.

**DESCRIPTION**

1.1 is a front and left side perspective view of an aerator for taps, showing our new design;

1.2 is a bottom and right side perspective view thereof;

1.3 is a front elevational view thereof;

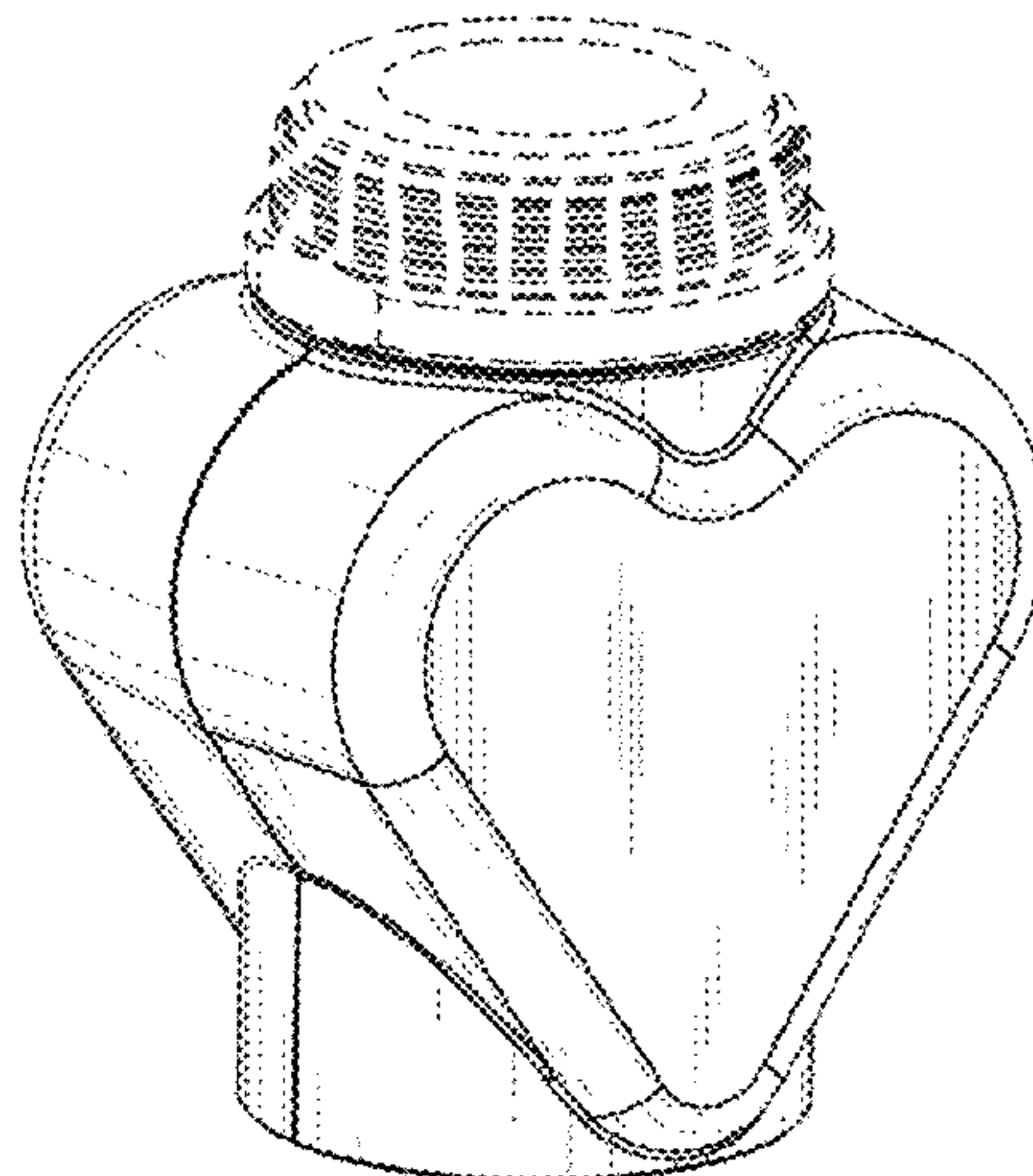
1.4 is a side view thereof;

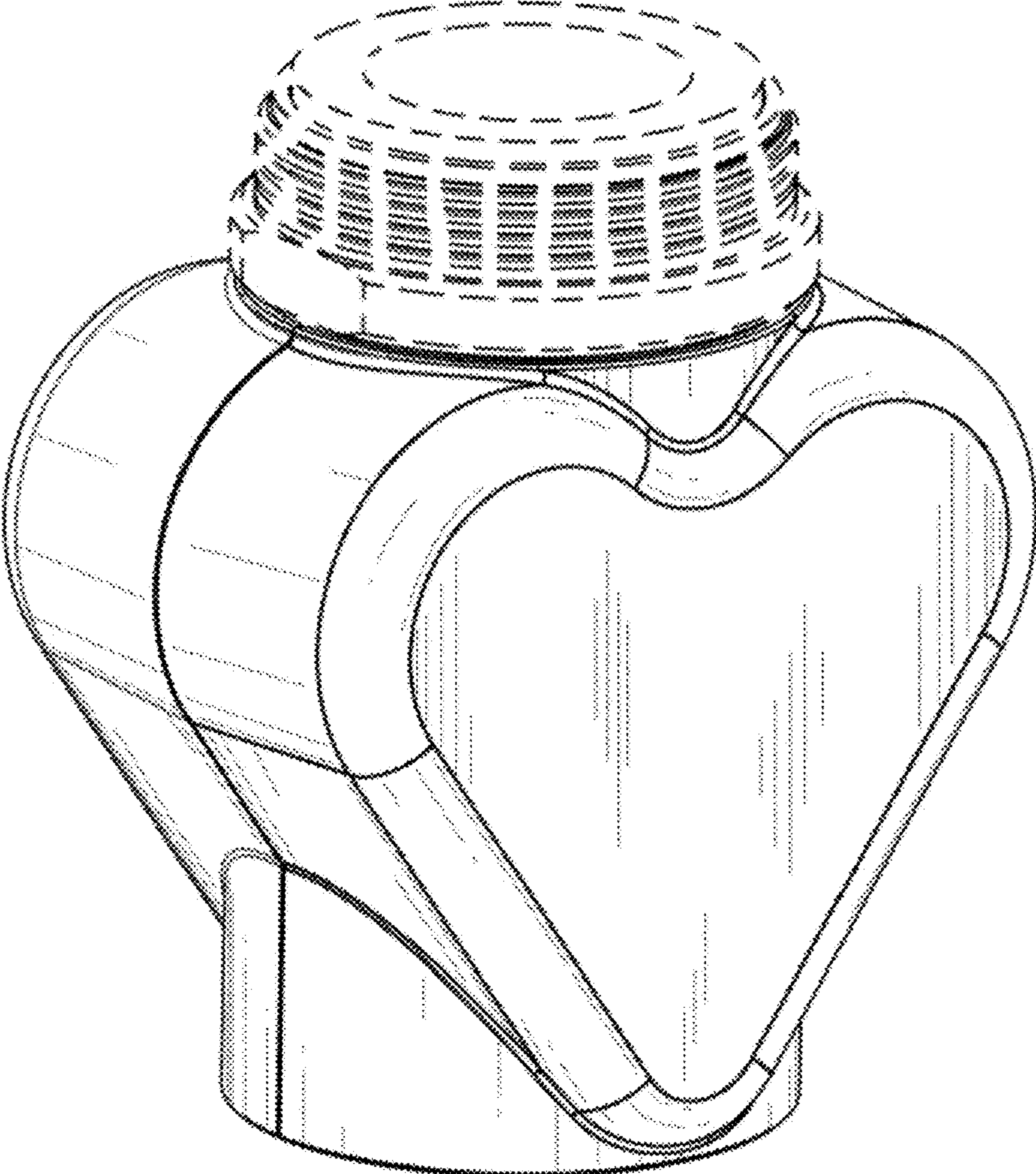
1.5 is a top view thereof; and

1.6 is bottom view thereof.

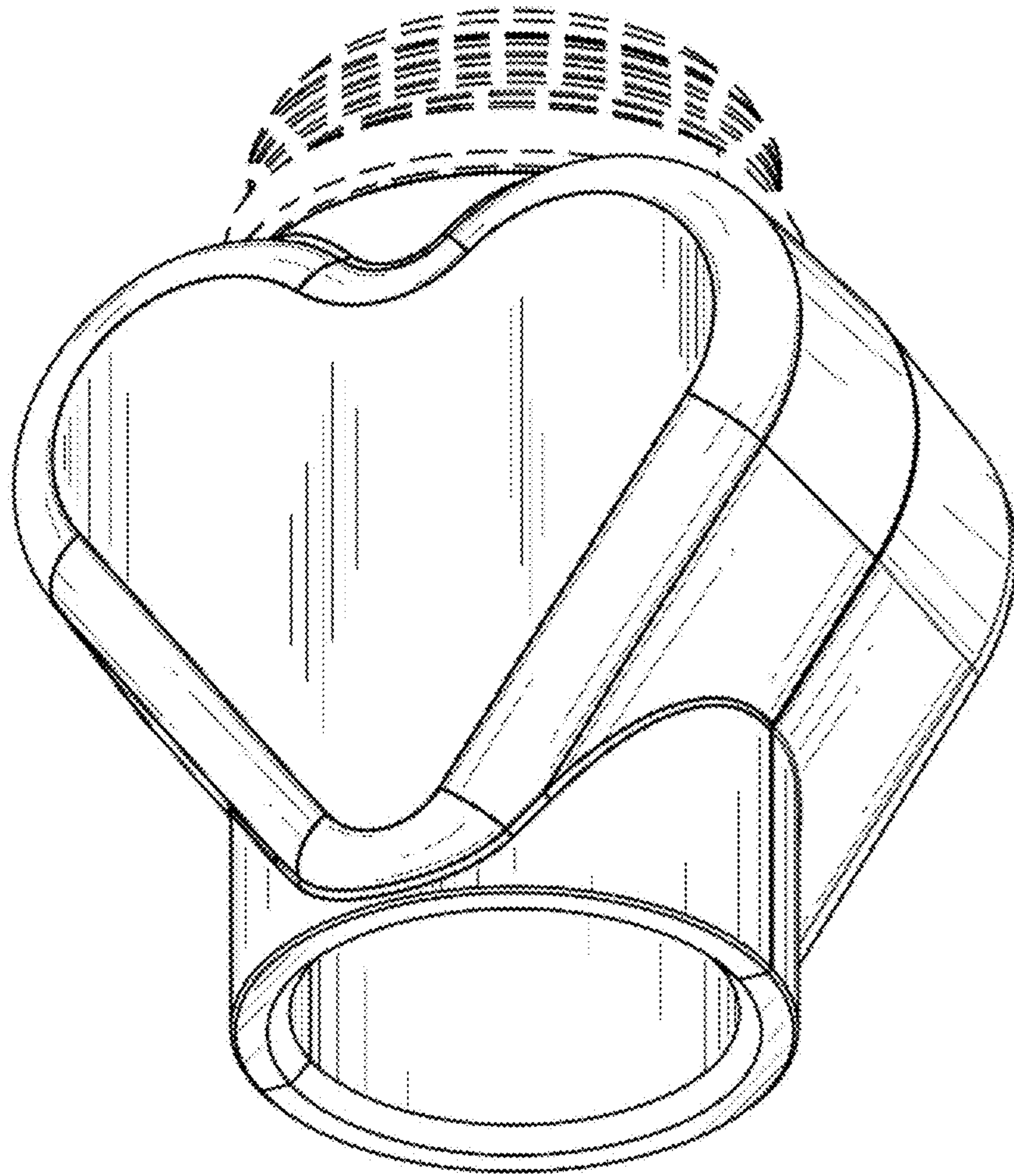
The broken lines are for the purpose of illustrating portions of the aerator for taps and form no part of the claimed design.

**1 Claim, 6 Drawing Sheets**



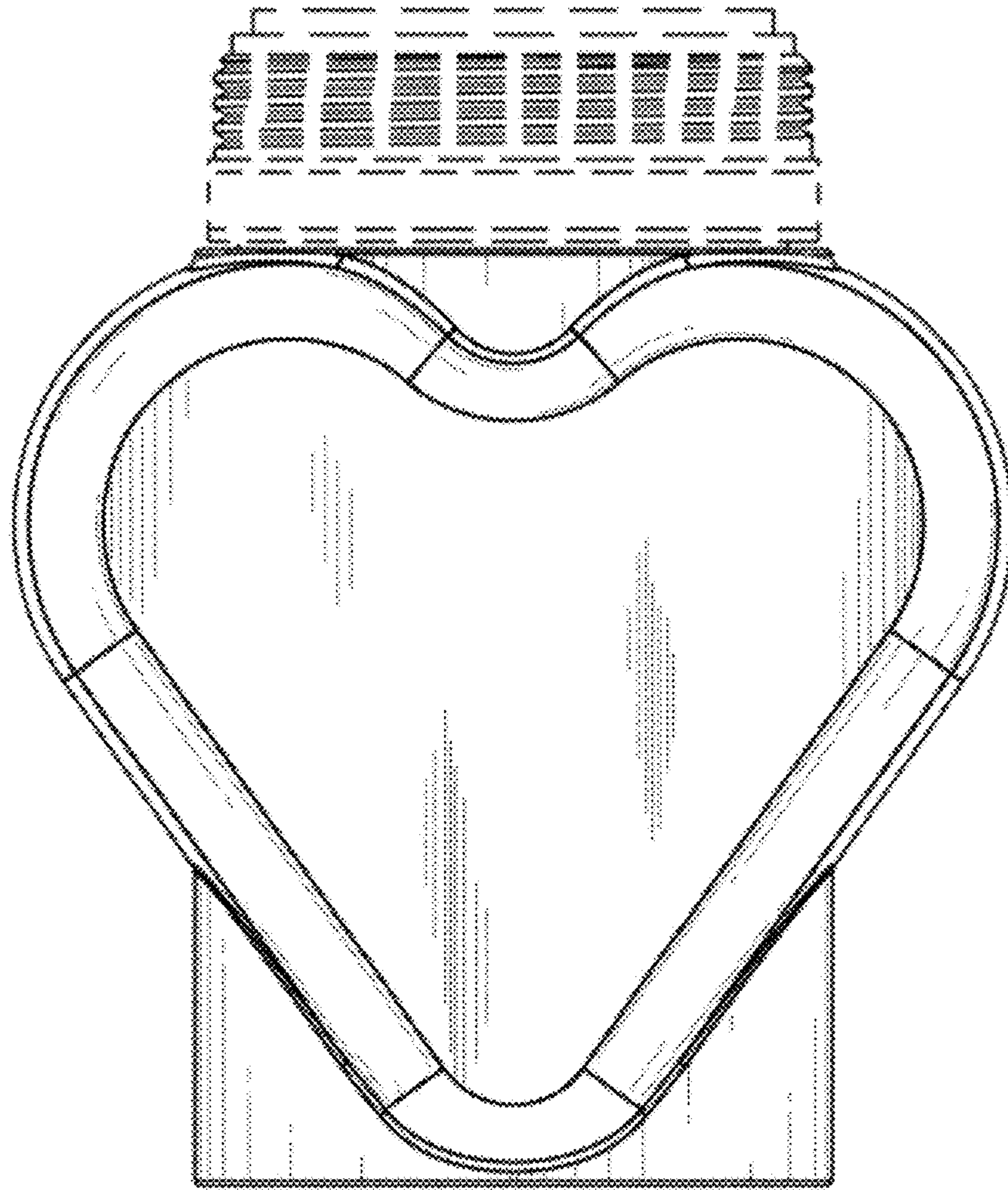


1.1

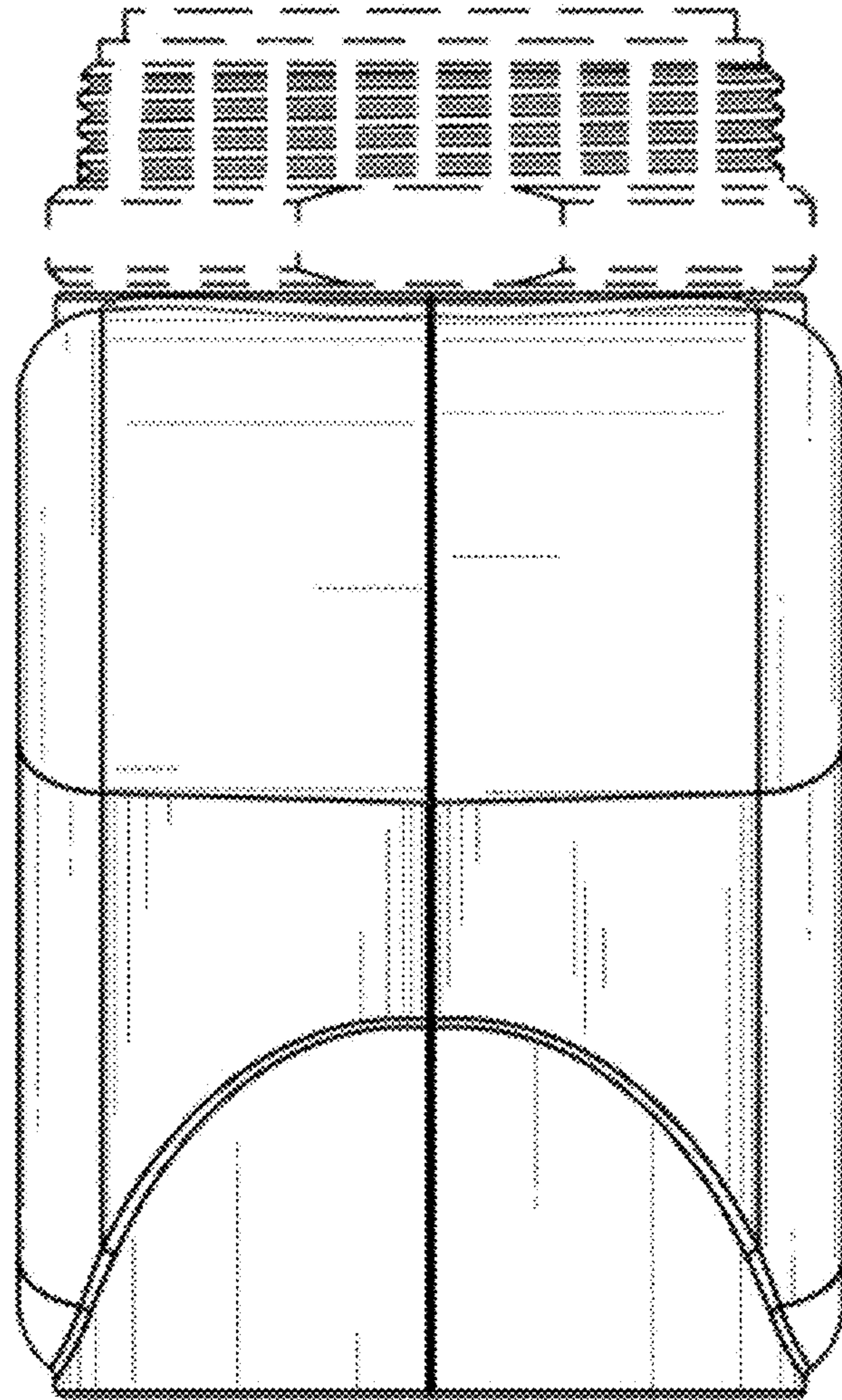


1.2

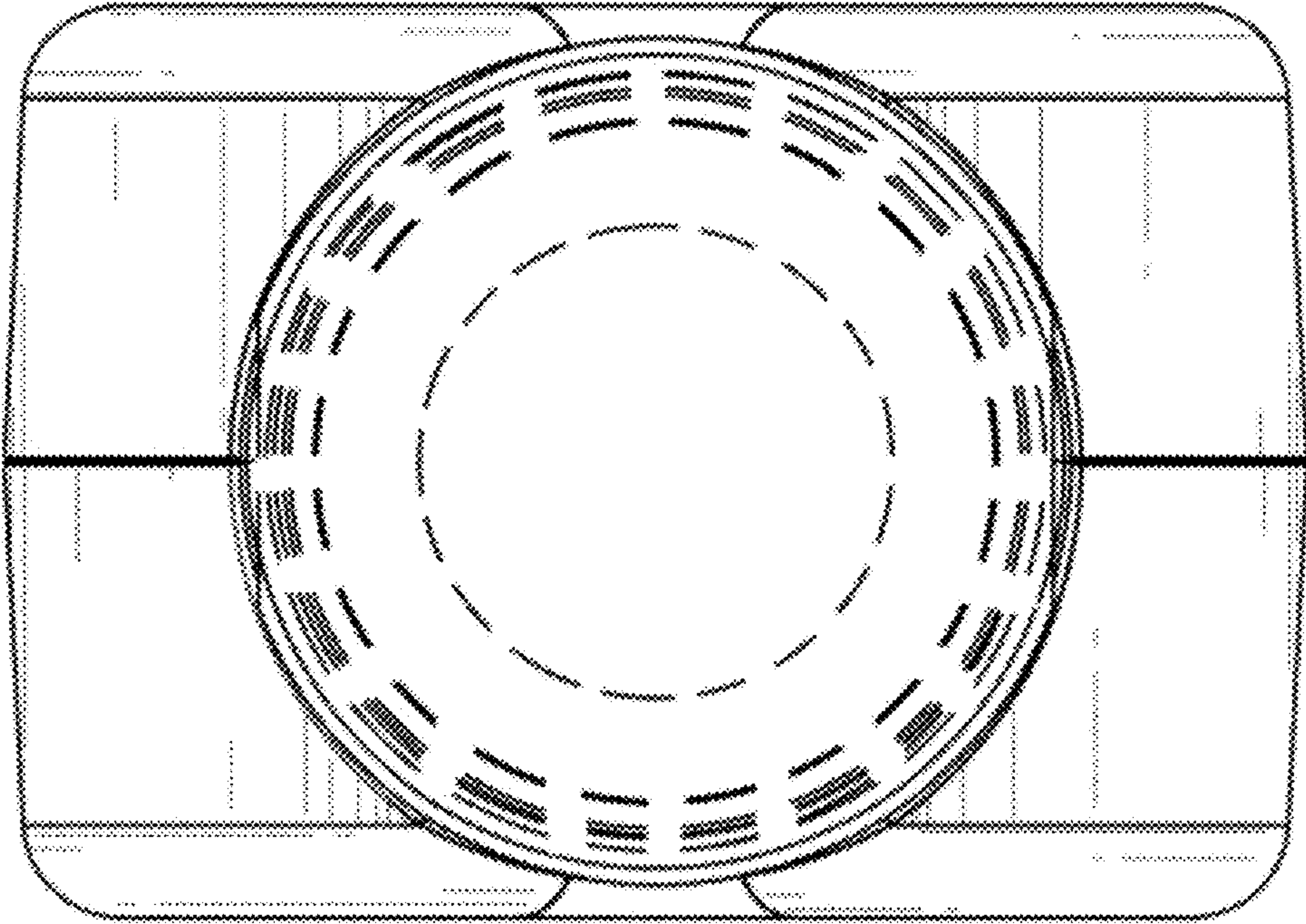




1.3



1.4



1.5



