



US00D837340S

(12) **United States Design Patent**  
**Shamoulia**

(10) **Patent No.:** **US D837,340 S**

(45) **Date of Patent:** **\*\* Jan. 1, 2019**

(54) **BASEBALL SHOWERHEAD**

(71) Applicant: **Simon Shamoulia**, Sherman Oaks, CA  
(US)

(72) Inventor: **Simon Shamoulia**, Sherman Oaks, CA  
(US)

(\*\*) Term: **15 Years**

(21) Appl. No.: **29/606,506**

(22) Filed: **Jun. 5, 2017**

(51) **LOC (11) Cl.** ..... **23-01**

(52) **U.S. Cl.**  
USPC ..... **D23/213**

(58) **Field of Classification Search**  
USPC ..... D23/213, 229, 230, 223; 239/556, 566,  
239/548, 282, 211; 4/615  
CPC .. B05B 1/18; B05B 1/14; B05B 1/185; B05B  
3/0486; E03C 1/06  
See application file for complete search history.

(56) **References Cited**

**U.S. PATENT DOCUMENTS**

D700,276 S \* 2/2014 Bollerod ..... D23/213  
D700,277 S \* 2/2014 Bollerod ..... D23/213

D700,278 S \* 2/2014 Bollerod ..... D23/213  
D700,279 S \* 2/2014 Bollerod ..... D23/213  
D700,280 S \* 2/2014 Bollerod ..... D23/213  
D700,281 S \* 2/2014 Bollerod ..... D23/213

\* cited by examiner

*Primary Examiner* — Robin V Webster

(74) *Attorney, Agent, or Firm* — Lawrence S. Cohen

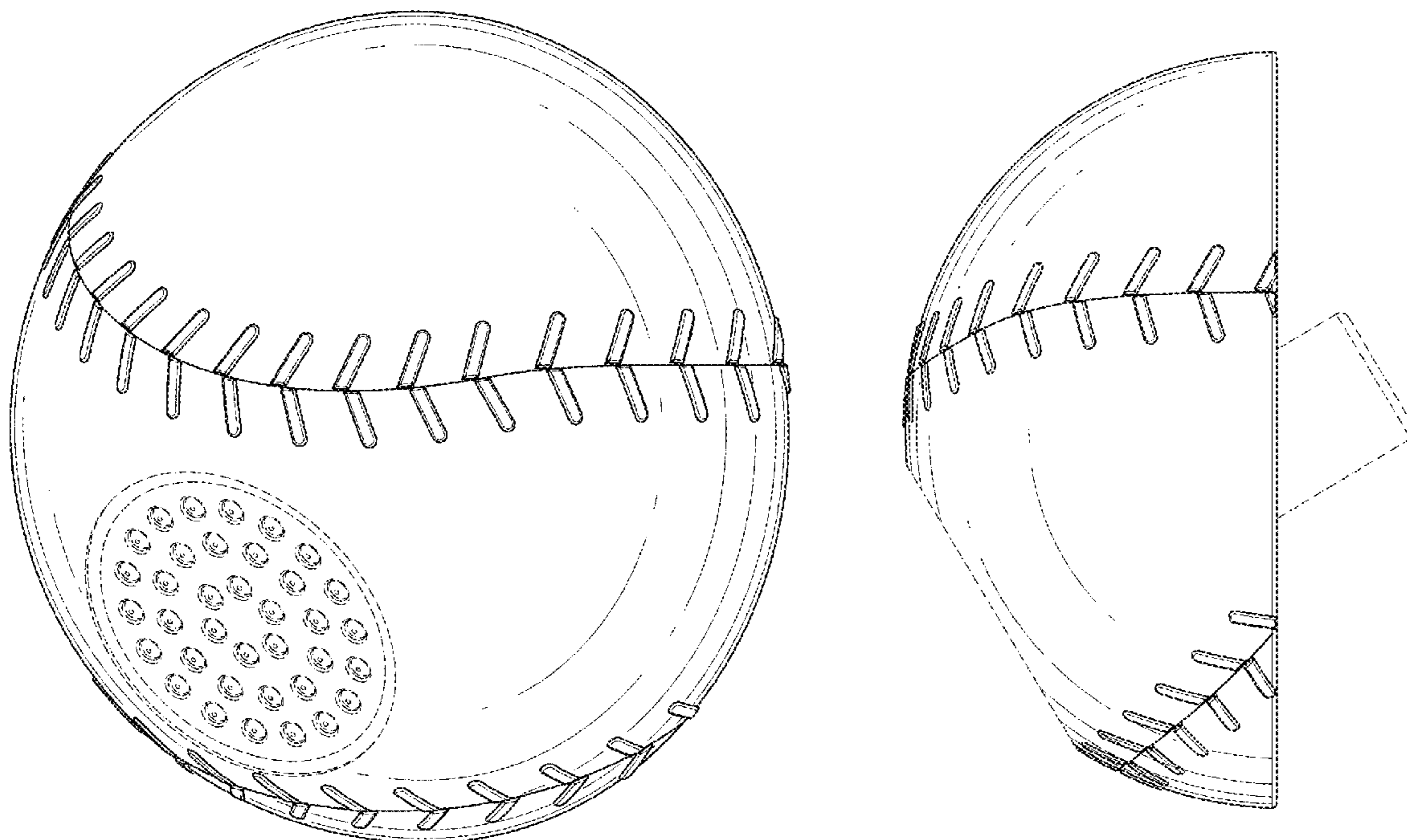
(57) **CLAIM**

The ornamental design for a baseball showerhead, as shown and described.

**DESCRIPTION**

FIG. 1 is a perspective view of a baseball showerhead showing my new design;  
FIG. 2 is a front view thereof;  
FIG. 3 is a left side view thereof;  
FIG. 4 is a right side view thereof;  
FIG. 5 is a top view thereof; and,  
FIG. 6 is a bottom view thereof.  
Dotted lines in the drawings form no part of the design sought to be patented for the embodiment in which the dotted lines appear.

**1 Claim, 4 Drawing Sheets**



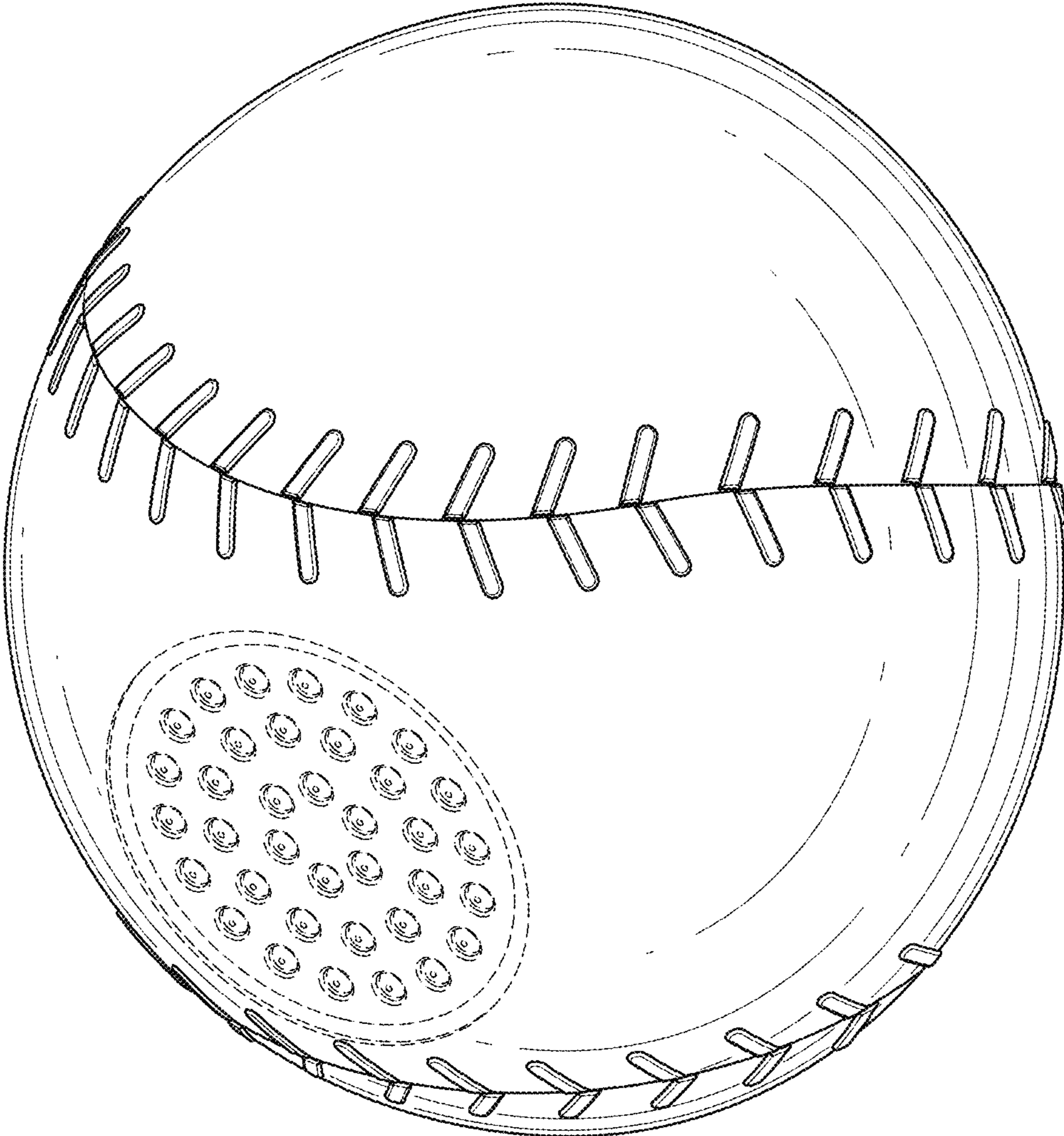
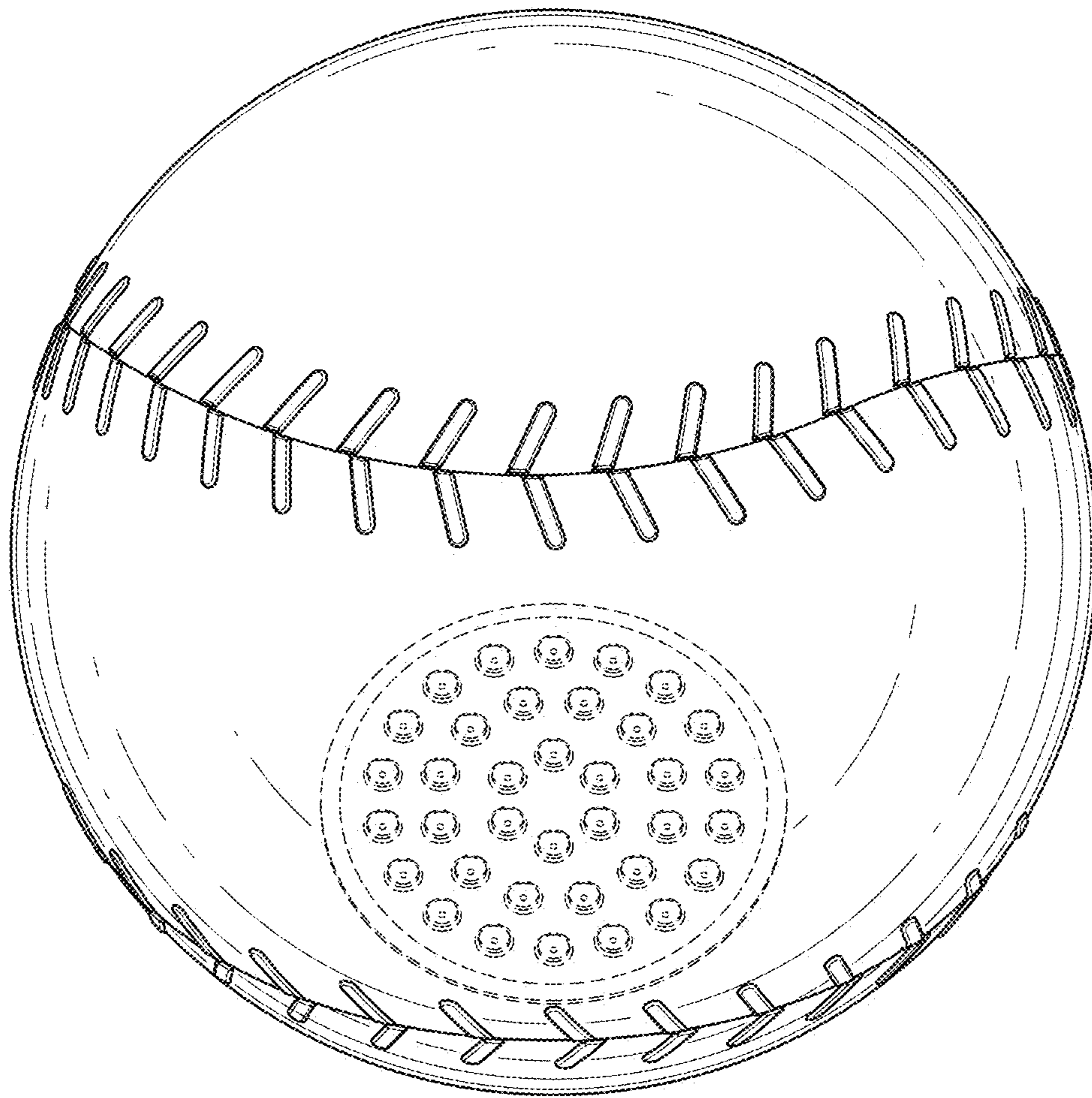


FIG. 1



**FIG. 2**

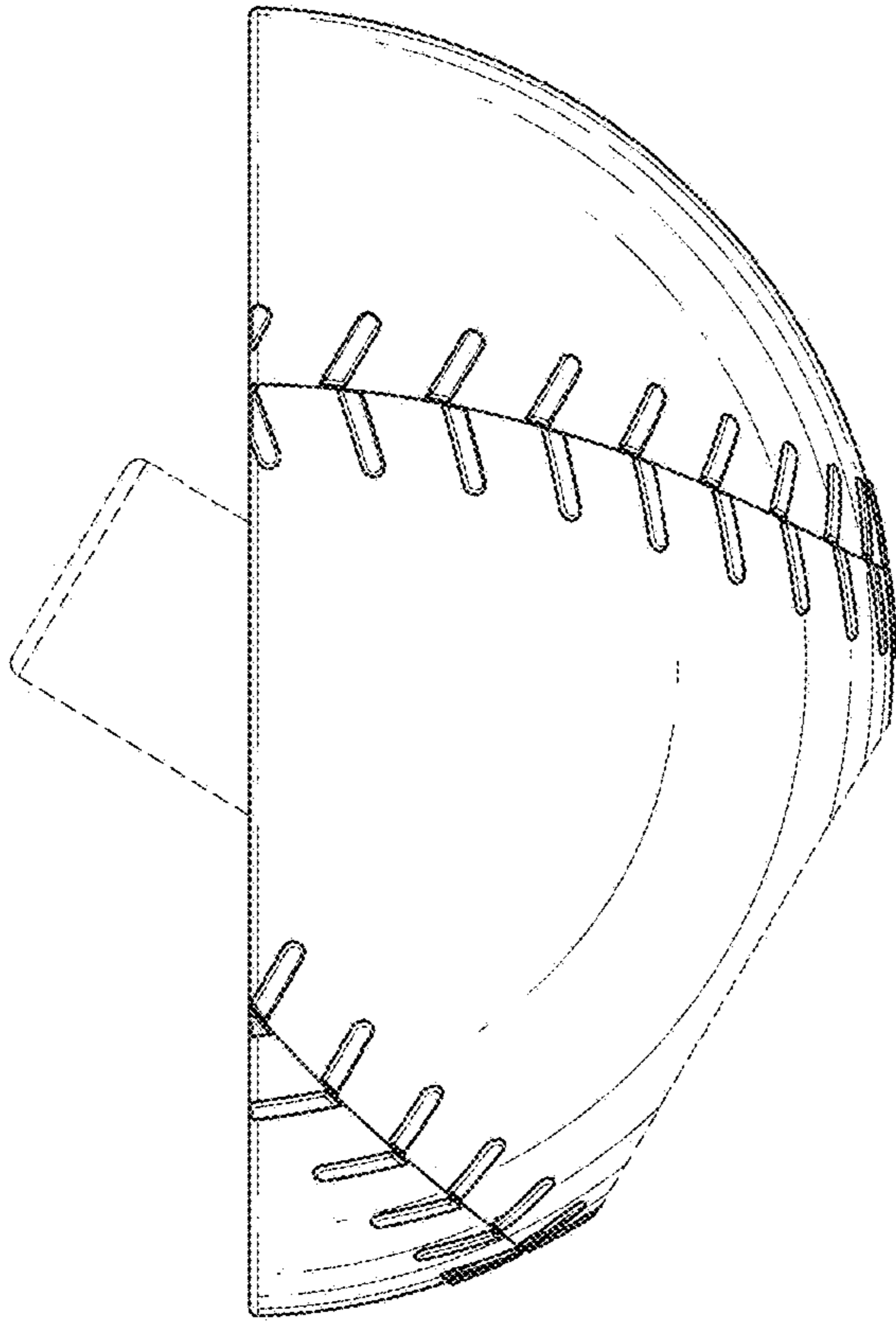


FIG. 3

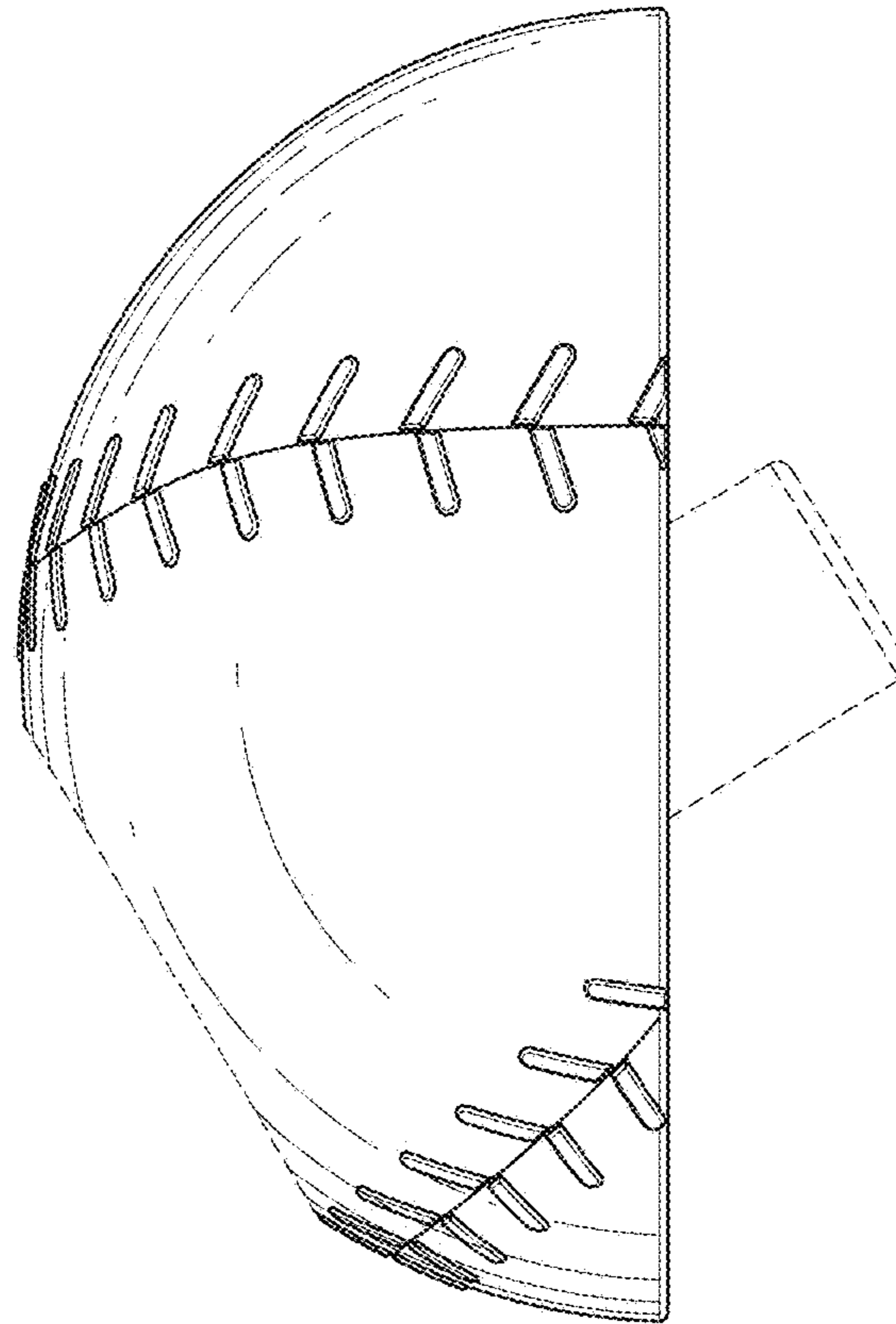


FIG. 4

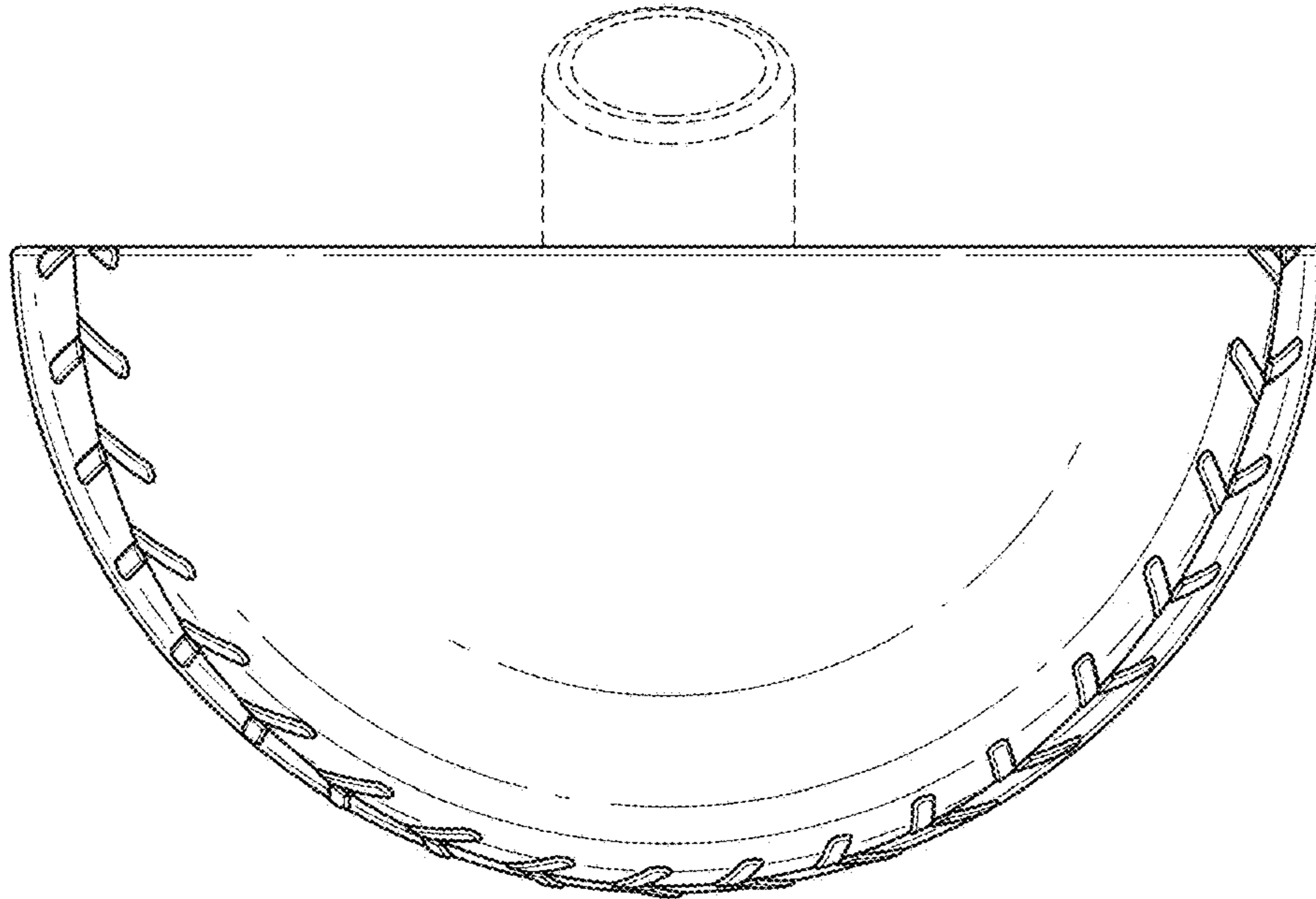


FIG. 5

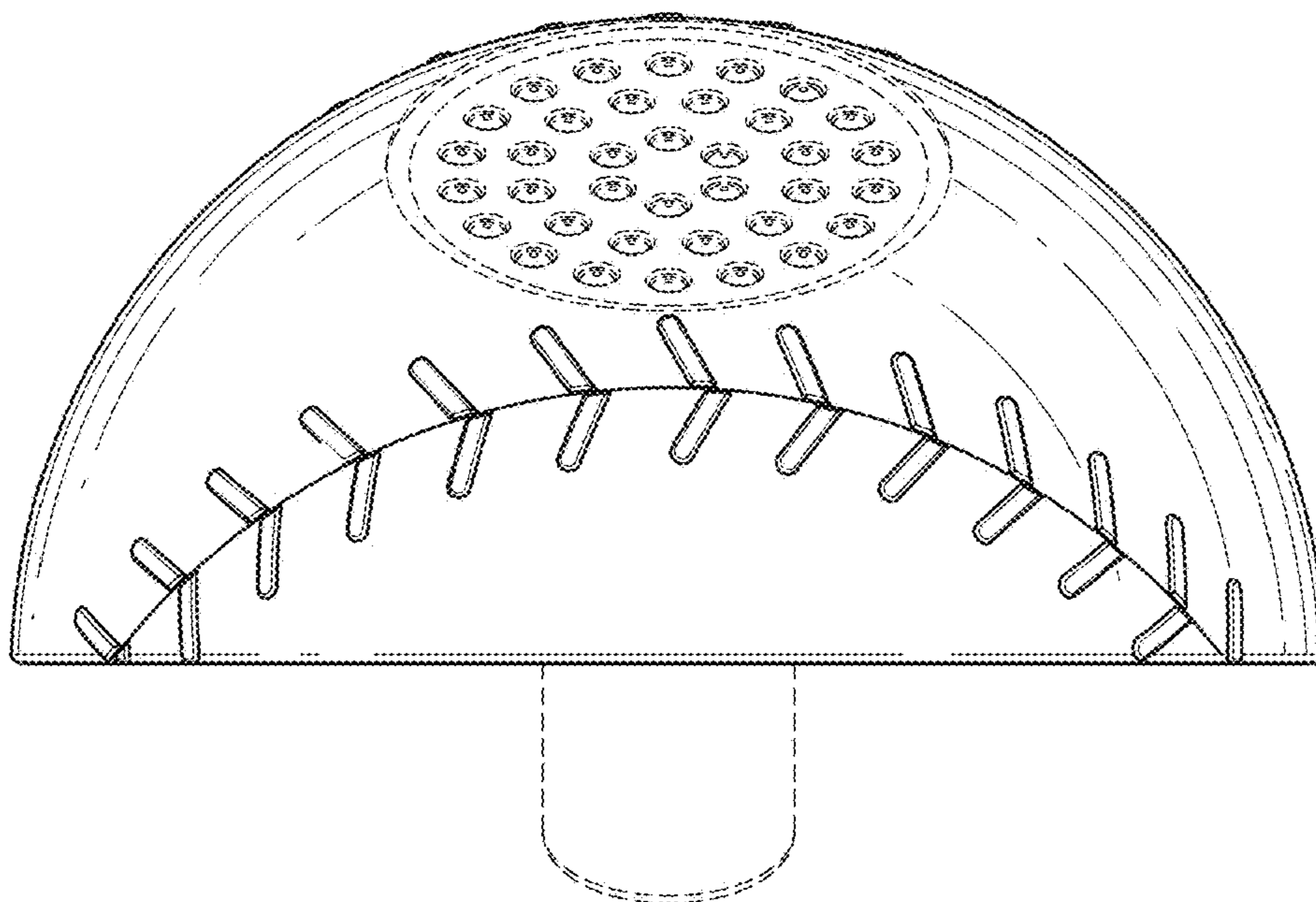


FIG. 6