



US00D837336S

(12) **United States Design Patent**  
**DiMeo et al.**

(10) **Patent No.:** **US D837,336 S**  
(45) **Date of Patent:** **\*\* Jan. 1, 2019**

- (54) **INSECT TRAP**
- (71) Applicant: **Novelty Manufacturing Co.**, Lancaster, PA (US)
- (72) Inventors: **Joseph D. DiMeo**, Lititz, PA (US);  
**Herbert T. Barnard**, Lancaster, PA (US)
- (73) Assignee: **Novelty Manufacturing Co.**, Lancaster, PA (US)
- (\*\*) Term: **15 Years**
- (21) Appl. No.: **29/657,954**
- (22) Filed: **Jul. 26, 2018**

D620,754 S 8/2010 Duke  
 8,287,177 B2\* 10/2012 Holcomb ..... B65D 47/261  
 206/219  
 D681,217 S 4/2013 Smith  
 D730,693 S \* 6/2015 Liu ..... D7/510  
 D739,180 S \* 9/2015 Beardsell ..... D7/510  
 2005/0028429 A1\* 2/2005 Schneidmiller ..... A01M 1/02  
 43/65

\* cited by examiner

*Primary Examiner* — Karen S Acker  
*Assistant Examiner* — Steven B Reinholdt, Jr.  
 (74) *Attorney, Agent, or Firm* — Volpe and Koenig, P.C.

(57) **CLAIM**

The ornamental design for an insect trap, as shown and described.

**DESCRIPTION**

FIG. 1 is a perspective view of an insect trap according to our design;  
 FIG. 2 is a front elevation thereof;  
 FIG. 3 is a rear elevation thereof;  
 FIG. 4 is a right side elevation thereof;  
 FIG. 5 is a left side elevation thereof;  
 FIG. 6 is a top plan view thereof;  
 FIG. 7 is a bottom plan view thereof;  
 FIG. 8 is a perspective view of the insect trap of FIG. 1 with the cap removed;  
 FIG. 9 is a front elevation thereof;  
 FIG. 10 is a rear elevation thereof;  
 FIG. 11 is a right side elevation thereof;  
 FIG. 12 is a left side elevation thereof;  
 FIG. 13 is a top plan view thereof; and,  
 FIG. 14 is a bottom plan view thereof.  
 The broken line showings are included for the purpose of illustrating environment and form no part of the claimed design for an insect trap.

**Related U.S. Application Data**

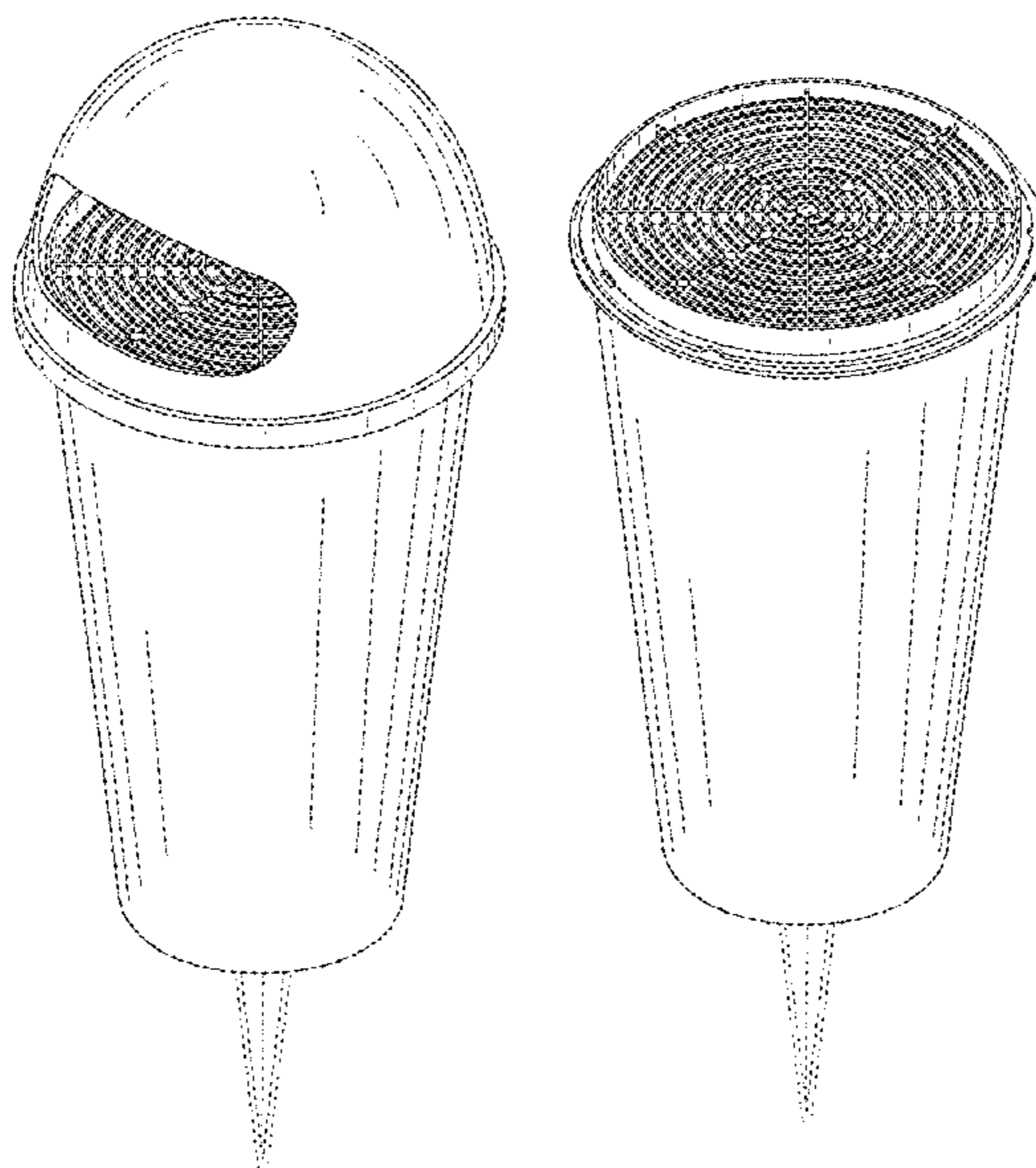
- (62) Division of application No. 29/577,168, filed on Sep. 9, 2016.
- (51) **LOC (11) Cl.** ..... **22-06**
- (52) **U.S. Cl.**  
USPC ..... **D22/122**
- (58) **Field of Classification Search**  
USPC ..... D7/510, 100.1, 591; D9/537, 545;  
D22/122, 123; D26/37, 40  
CPC ..... A01M 1/08; A01M 1/023; A01M 1/04  
See application file for complete search history.

**References Cited**

**U.S. PATENT DOCUMENTS**

- (56) D163,342 S \* 5/1951 Wagner ..... D7/300.1
- D256,716 S 9/1980 Gombert
- D281,995 S \* 12/1985 Schmidt ..... D22/122
- 4,930,251 A \* 6/1990 Crisanti ..... A01M 1/02  
43/107
- D448,244 S \* 9/2001 Thomas ..... D7/510
- D498,966 S \* 11/2004 Fiedeler ..... D7/300.1

**1 Claim, 12 Drawing Sheets**



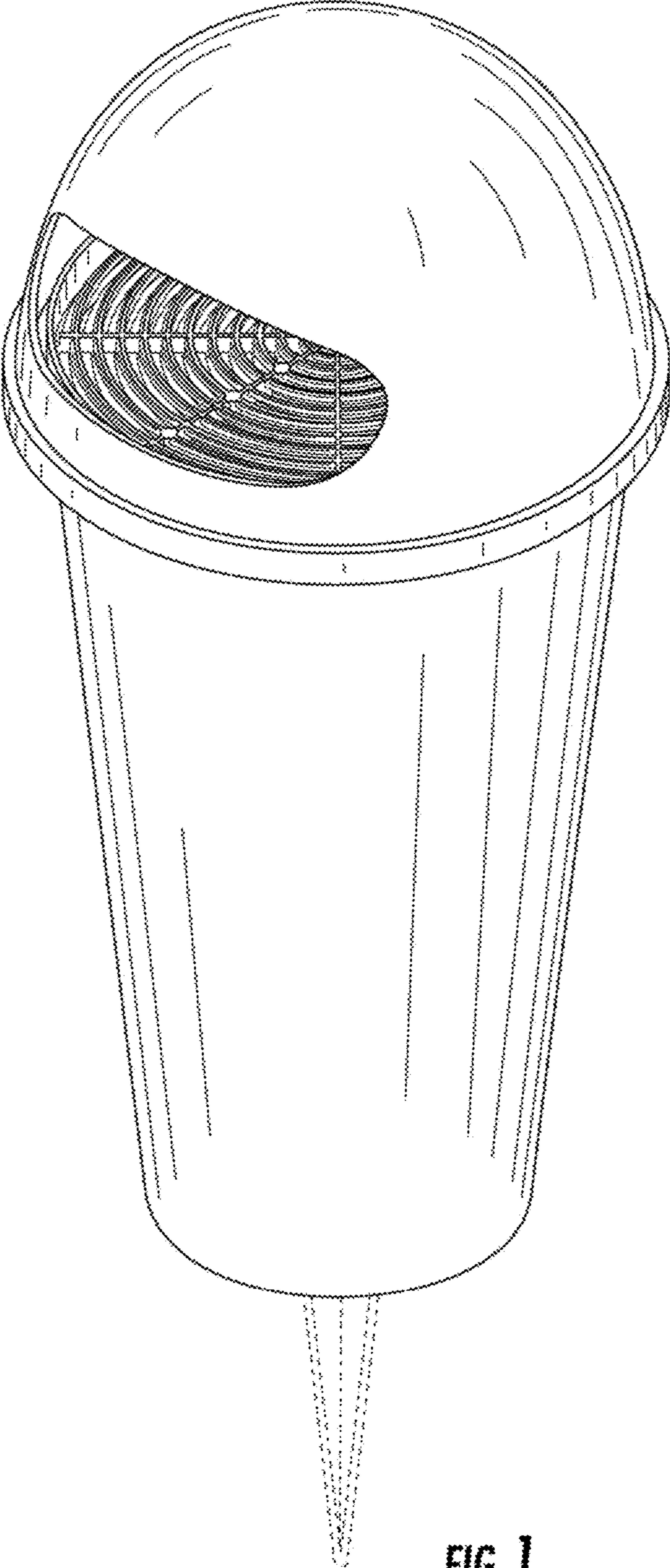


FIG. 1

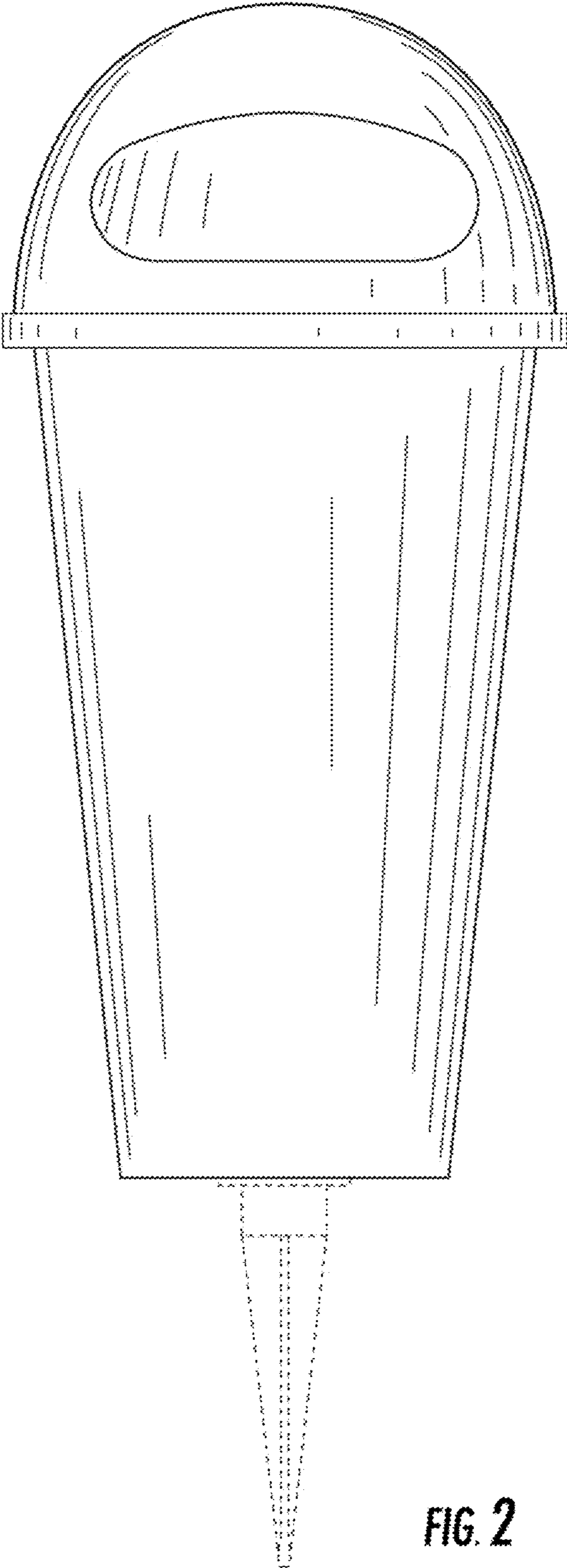


FIG. 2

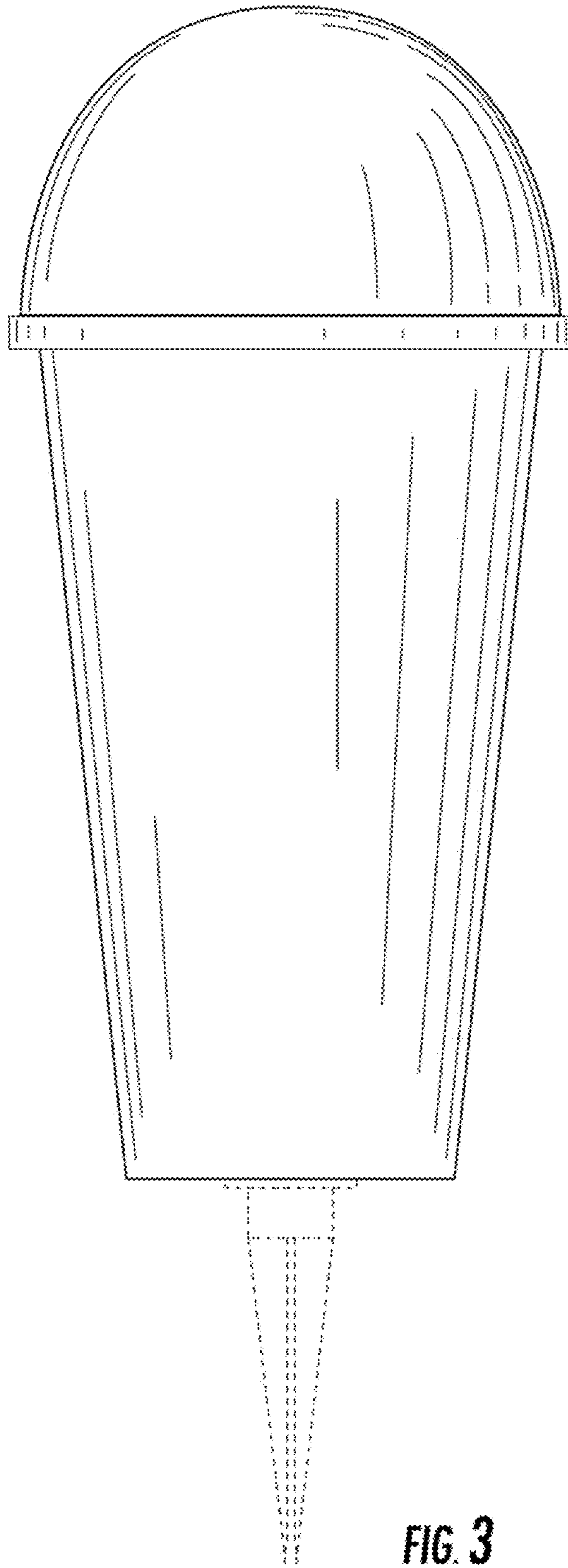


FIG. 3

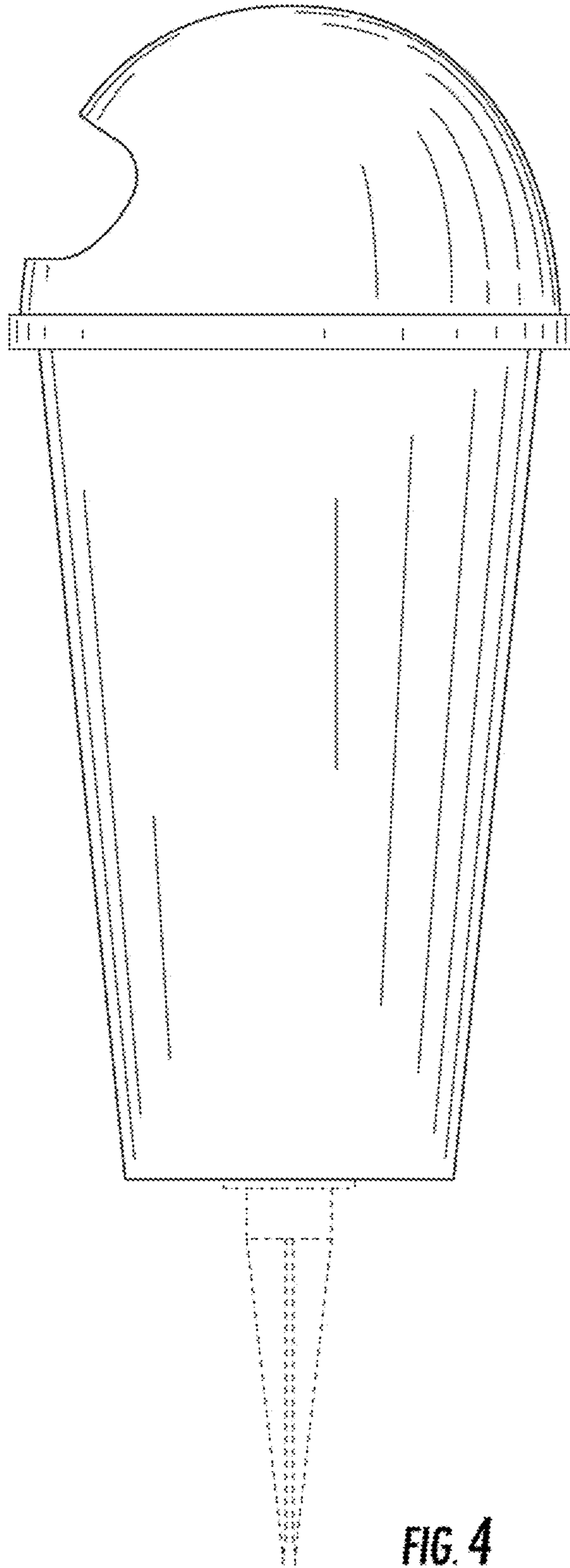
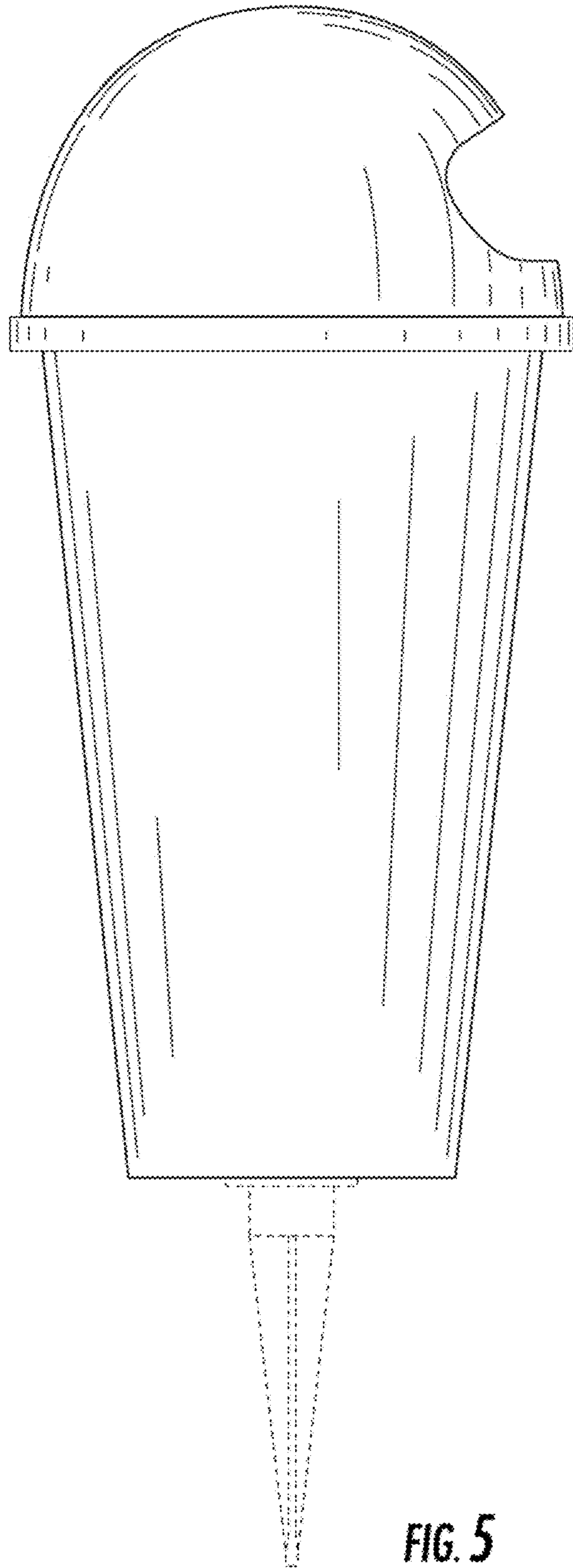


FIG. 4



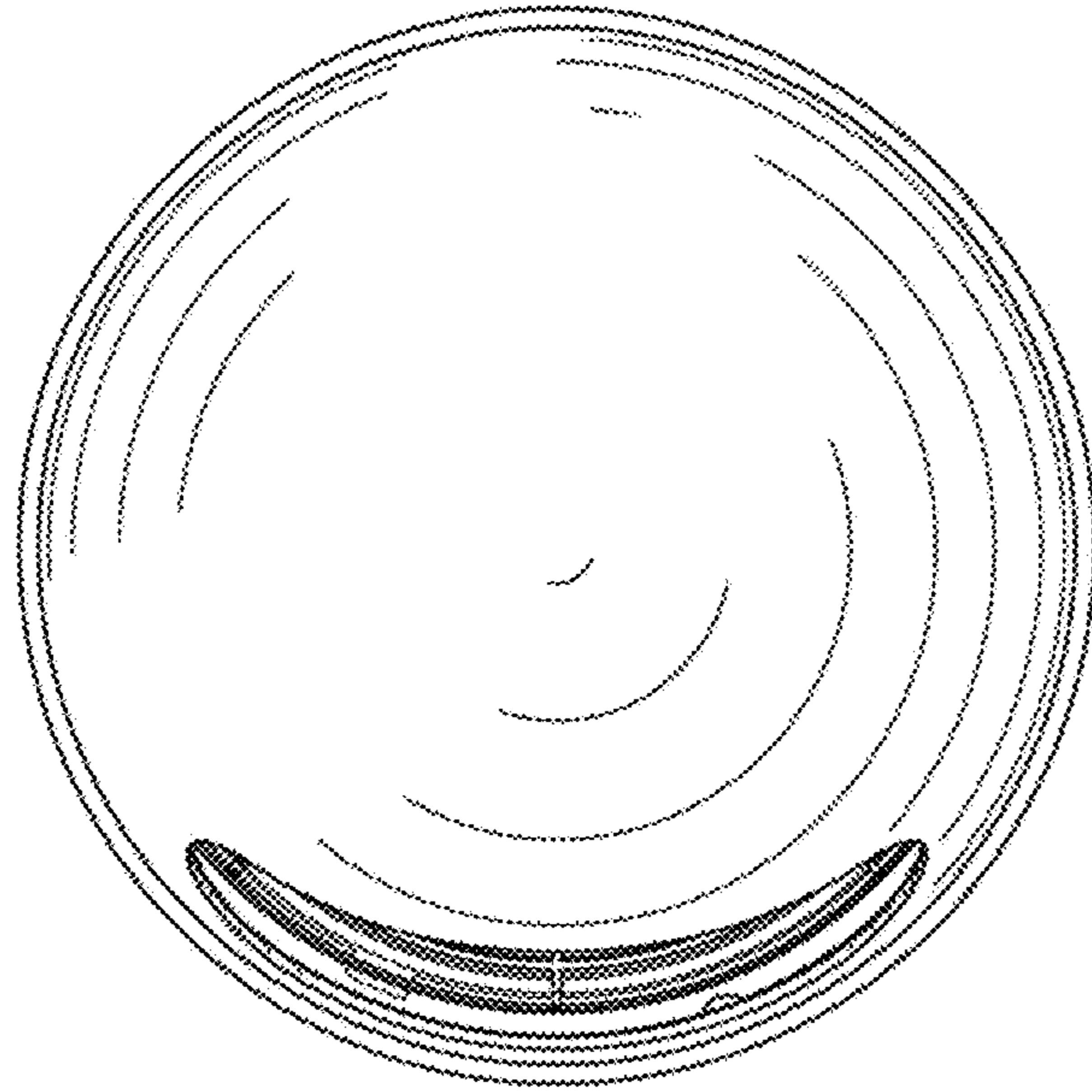


FIG. 6

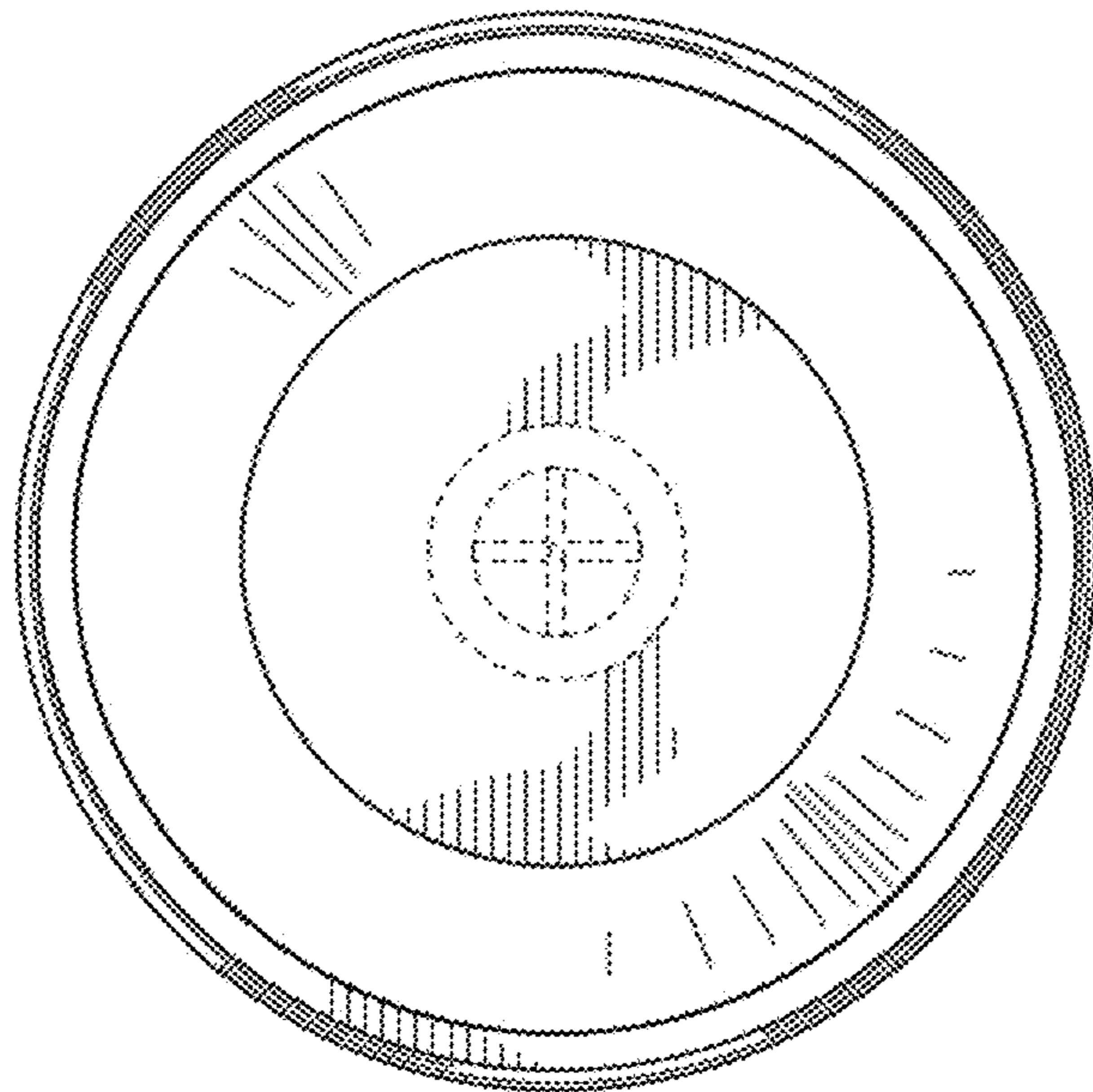


FIG. 7

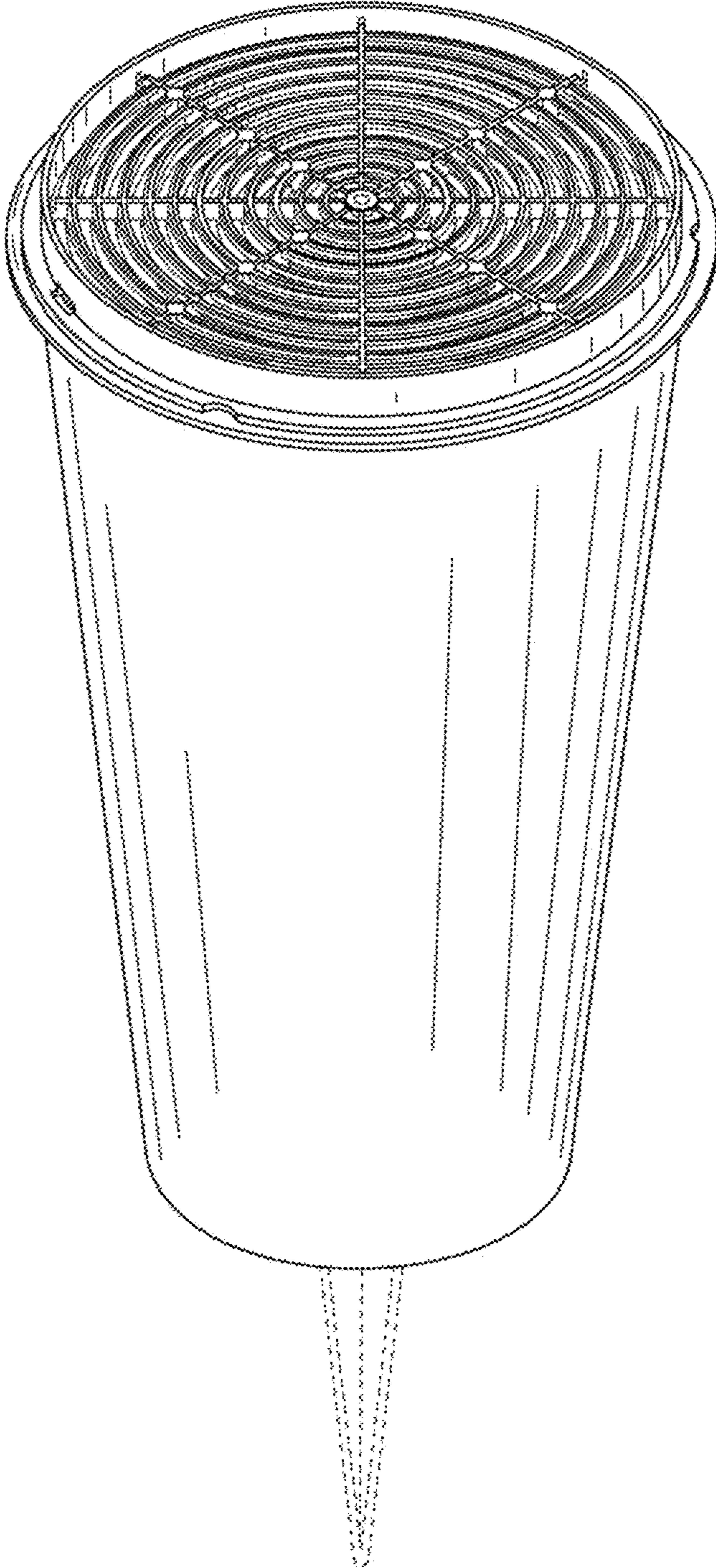
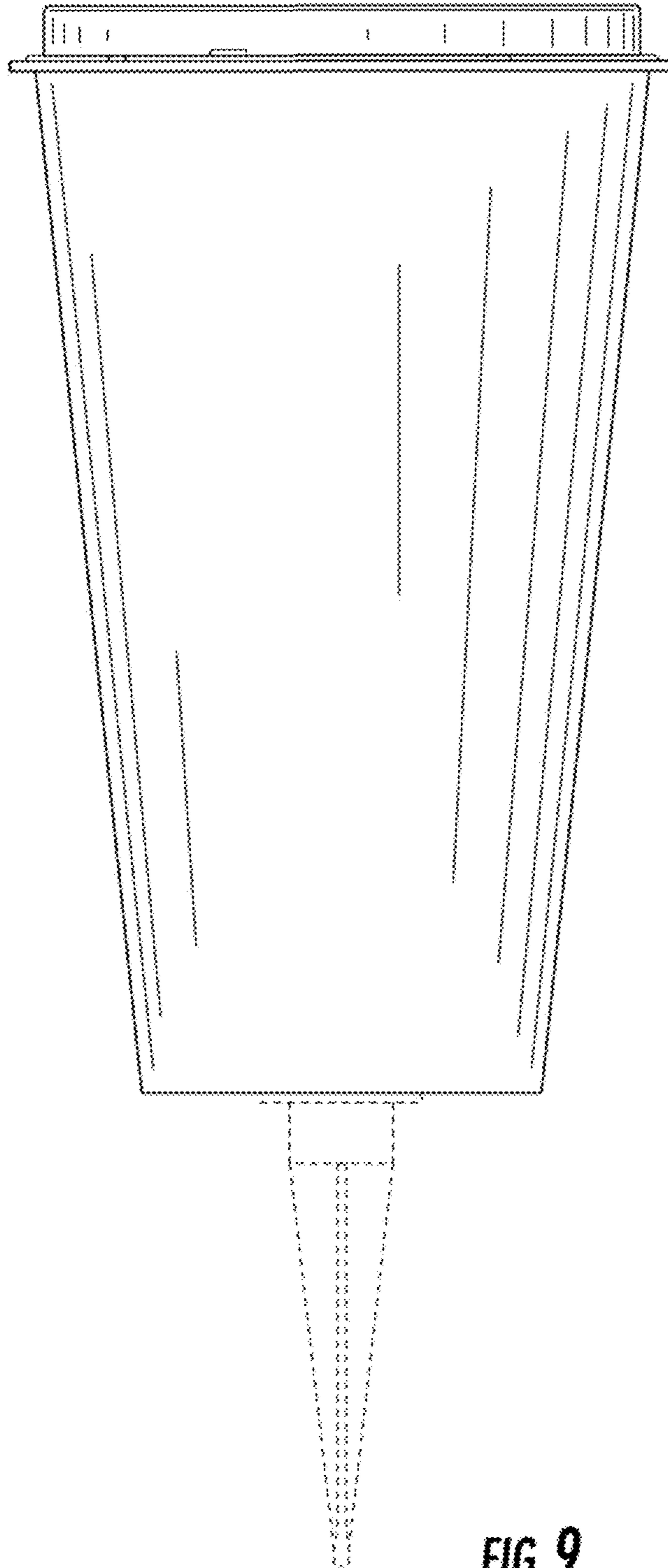


FIG. 8





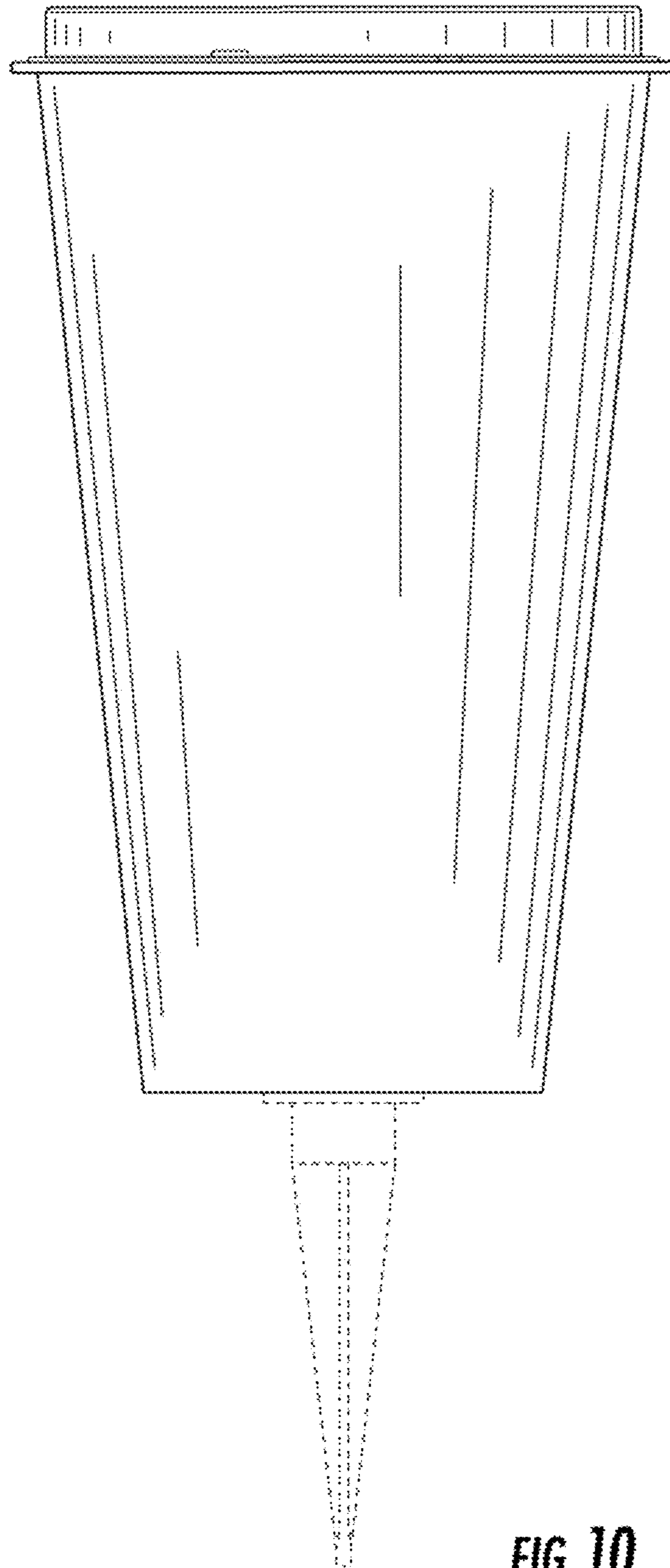


FIG. 10

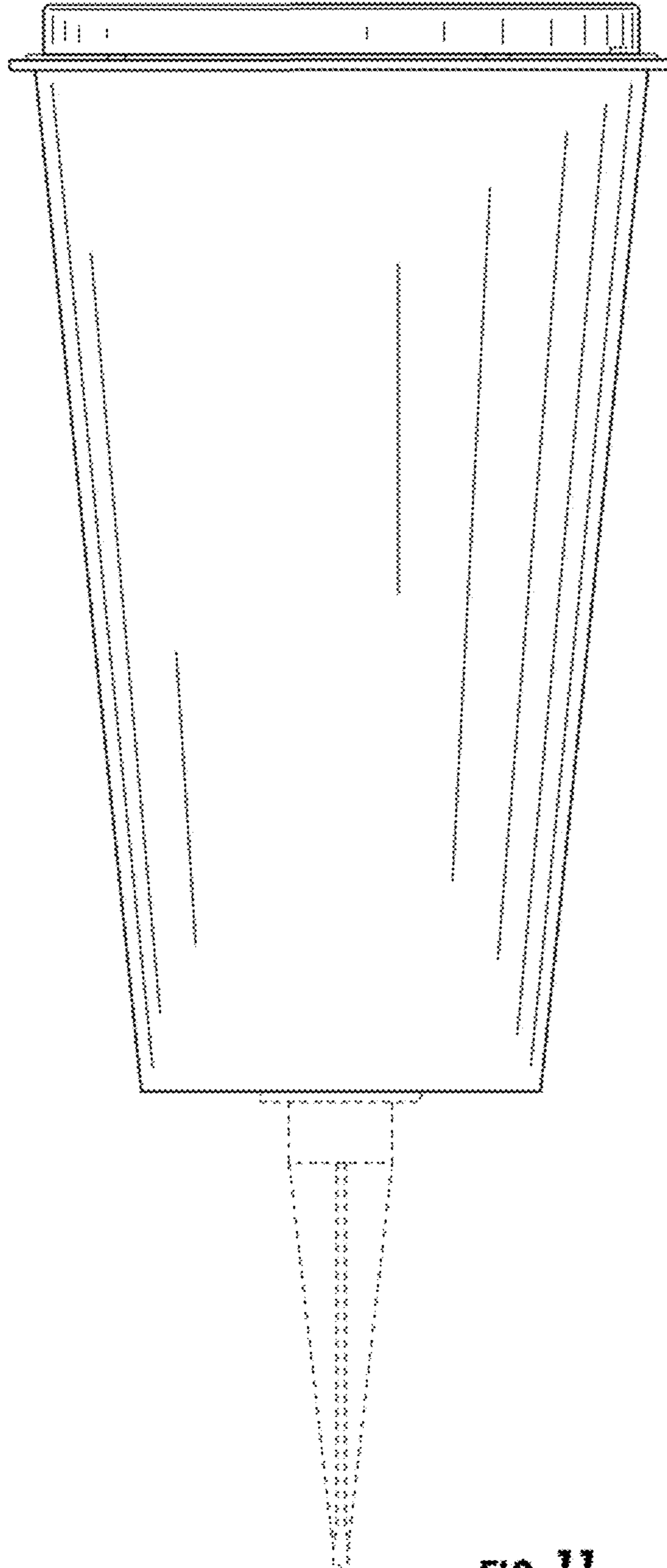


FIG. 11

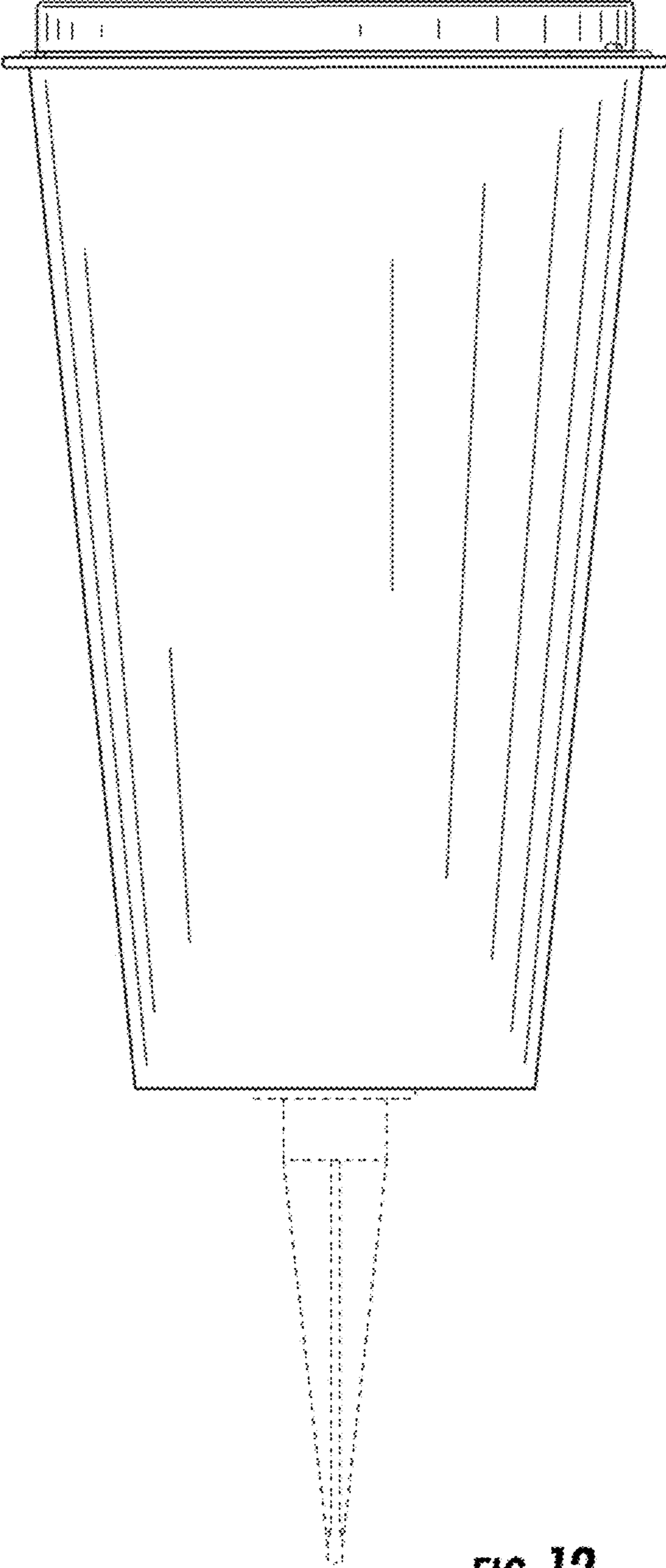


FIG. 12

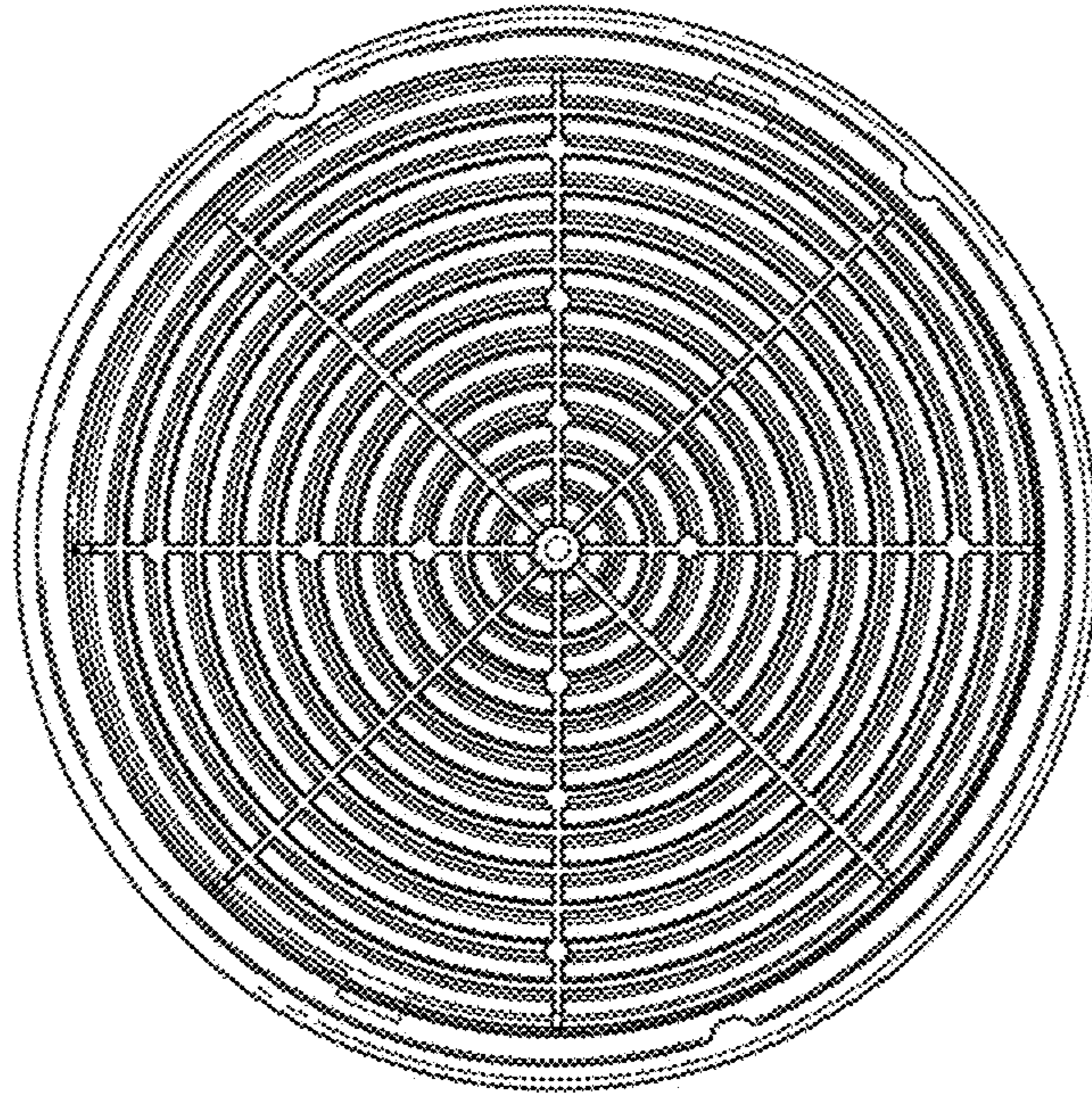


FIG. 13

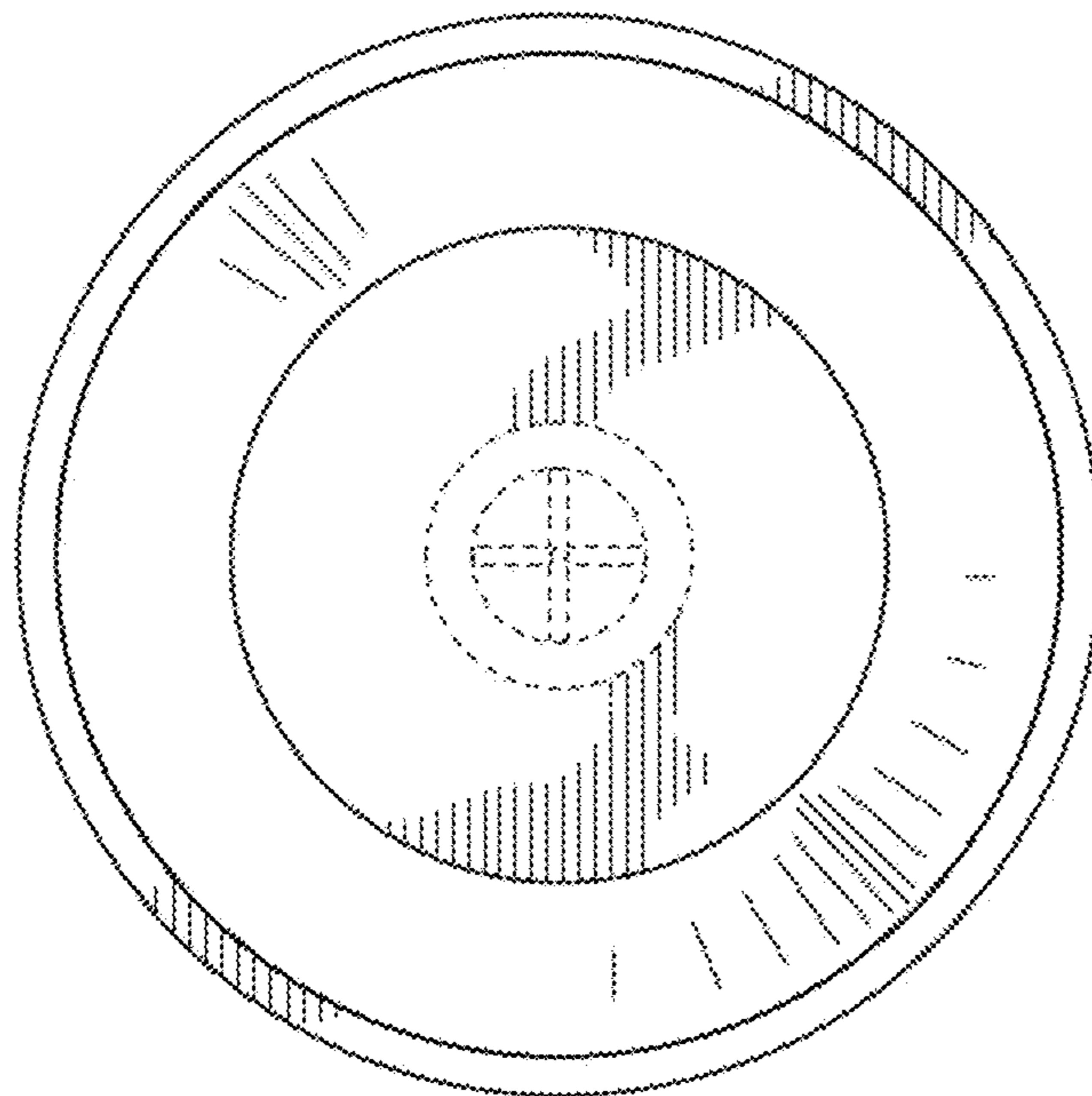


FIG. 14