



US00D837334S

(12) **United States Design Patent**
Sabic et al.

(10) **Patent No.:** **US D837,334 S**
(45) **Date of Patent:** **** Jan. 1, 2019**

(54) **INSECT REPELLER**
(71) Applicant: **TTI (MACAO COMMERCIAL OFFSHORE) LIMITED**, Macau (MO)
(72) Inventors: **Adis Sabic**, Kwai Chung (HK); **Kar Tat Wong**, Kwai Chung (HK)
(73) Assignee: **TTI (MACAO COMMERCIAL OFFSHORE) LIMITED**, Macau (MO)

D517,159 S * 3/2006 Ridley D22/120
D522,085 S * 5/2006 Ridley D22/120
D558,297 S * 12/2007 Gibian D22/120
7,712,249 B1 * 5/2010 Modlin A01M 1/205
239/102.2
7,988,984 B2 * 8/2011 Hockaday A01M 1/02
43/132.1
D654,140 S * 2/2012 Rubel D22/122
D654,979 S * 2/2012 Smith D22/120
D786,390 S * 5/2017 Kim D22/122

* cited by examiner

(**) Term: **15 Years**
(21) Appl. No.: **29/621,049**
(22) Filed: **Oct. 4, 2017**

Primary Examiner — Catherine R Oliver-Garcia
(74) *Attorney, Agent, or Firm* — Michael Best & Friedrich LLP

(30) **Foreign Application Priority Data**

Apr. 21, 2017 (HK) 17007574M001-M003
May 11, 2017 (HK) 17009198M001-M002
Jun. 23, 2017 (CN) 2017 3 0264749
Aug. 25, 2017 (AU) 201715041

(57) **CLAIM**

We claim the ornamental design for an insect repeller, as shown and described.

(51) **LOC (11) Cl.** **22-06**
(52) **U.S. Cl.**
USPC **D22/120**
(58) **Field of Classification Search**
USPC D22/119–124; 43/107, 112–113, 124,
43/131, 132.1; 239/56, 71, 102.2
CPC A01M 1/02; A01M 1/04; A01M 1/223;
A01M 1/2044; A01M 29/12; A01M
1/205; A01M 2200/012; A01M 27/00;
A01M 27/007
See application file for complete search history.

DESCRIPTION

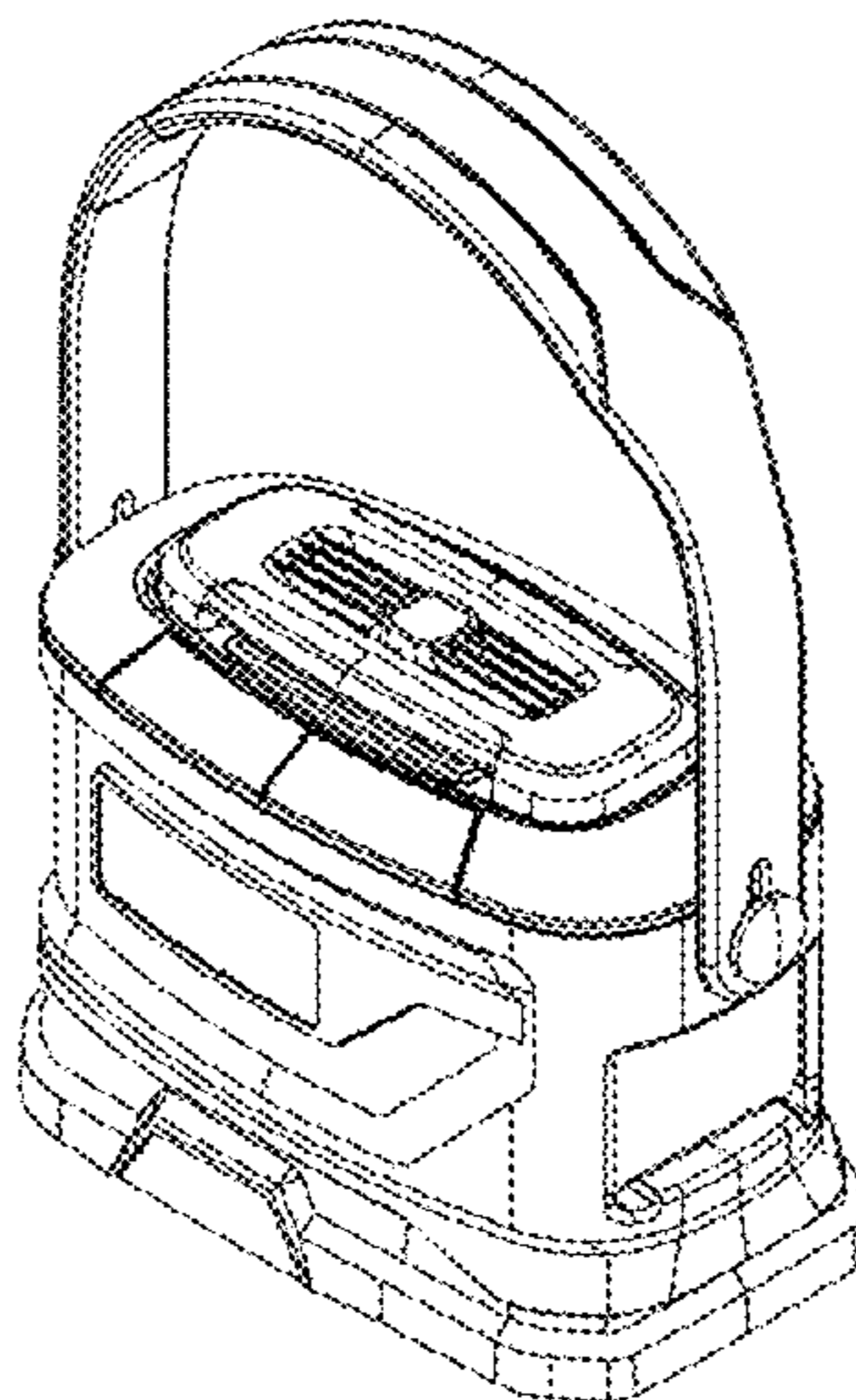
FIG. 1 is a front perspective view of an insect repeller of the present invention.
FIG. 2 is a front view of the insect repeller of FIG. 1.
FIG. 3 is a rear view of the insect repeller of FIG. 1.
FIG. 4 is a top view of the insect repeller of FIG. 1.
FIG. 5 is a bottom view of the insect repeller of FIG. 1.
FIG. 6 is a left-side view of the insect repeller of FIG. 1; and,
FIG. 7 is a right-side view of the insect repeller of FIG. 1.

(56) **References Cited**

U.S. PATENT DOCUMENTS

4,804,142 A * 2/1989 Riley A01M 29/12
239/56
D369,395 S * 4/1996 Dewberry D22/120
D375,780 S * 11/1996 Dewberry D22/120

1 Claim, 5 Drawing Sheets



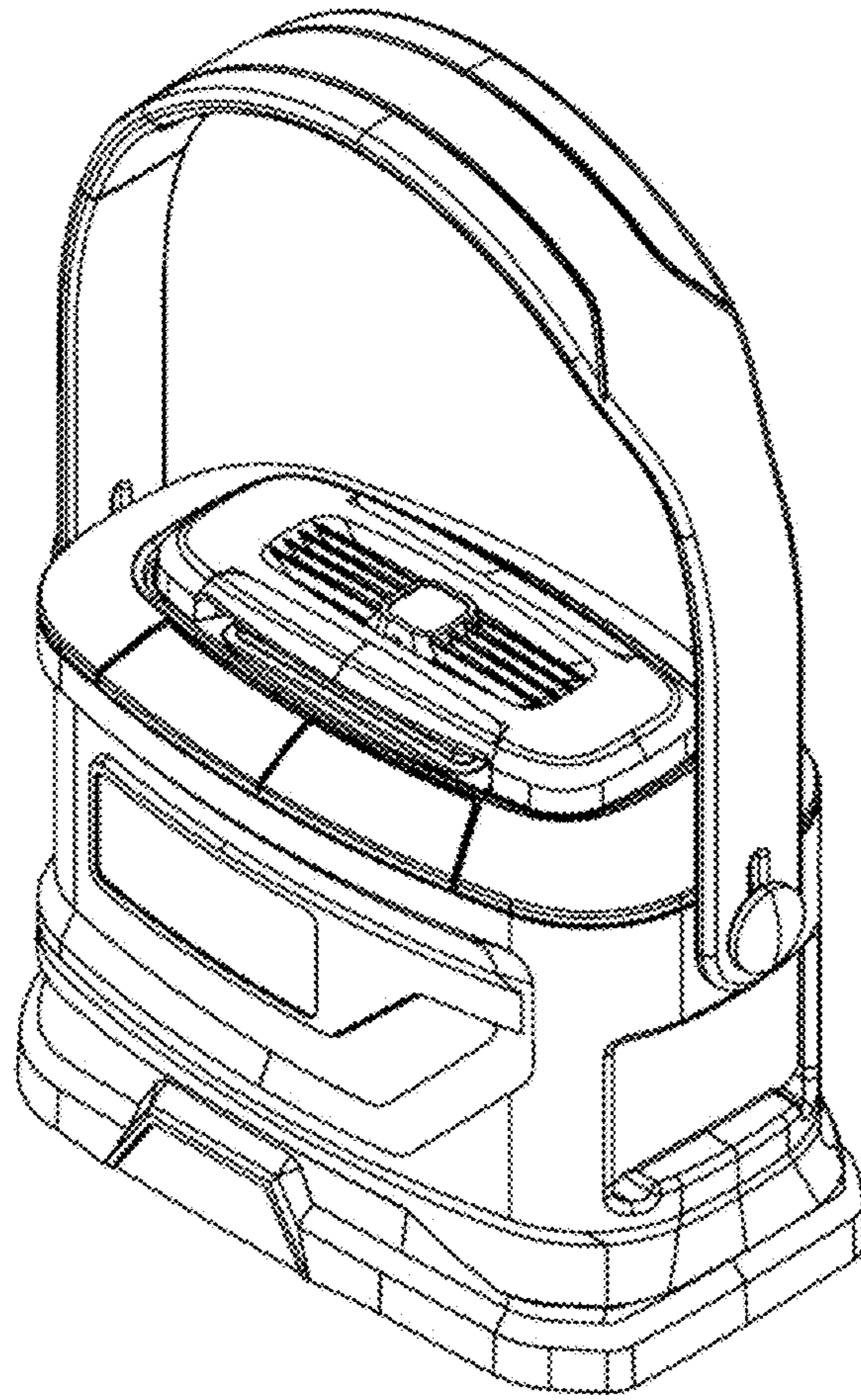


FIG. 1

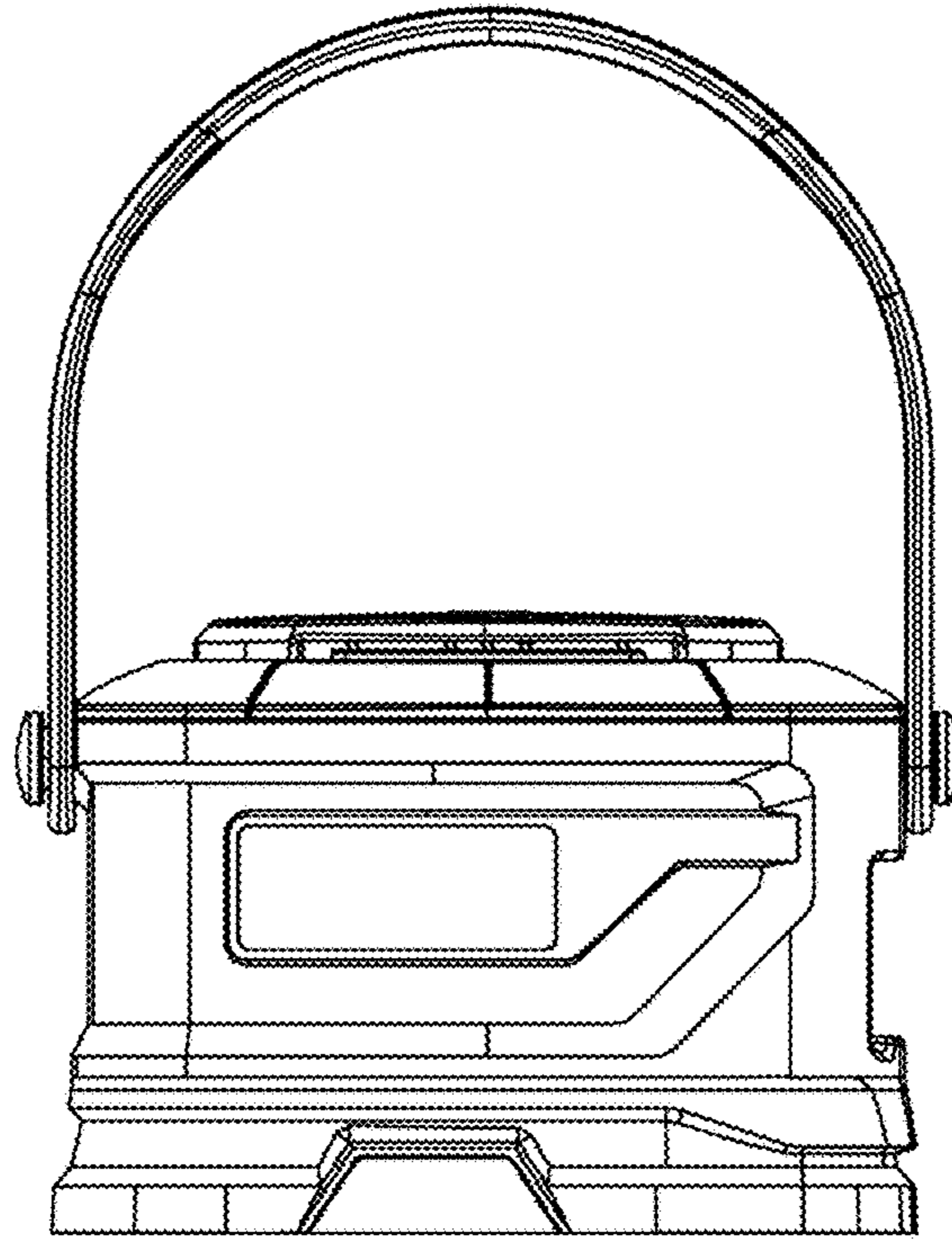


FIG. 2

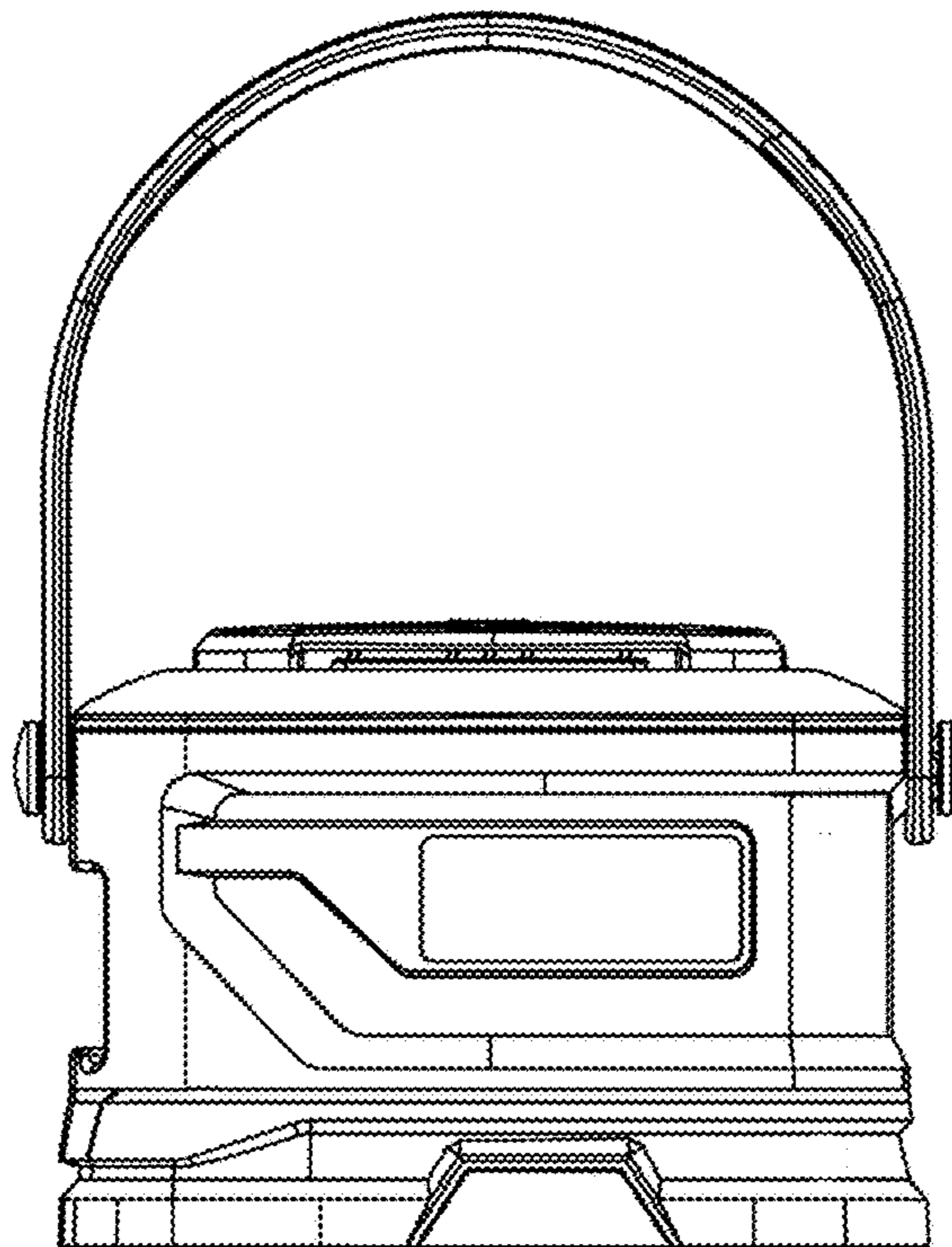


FIG. 3

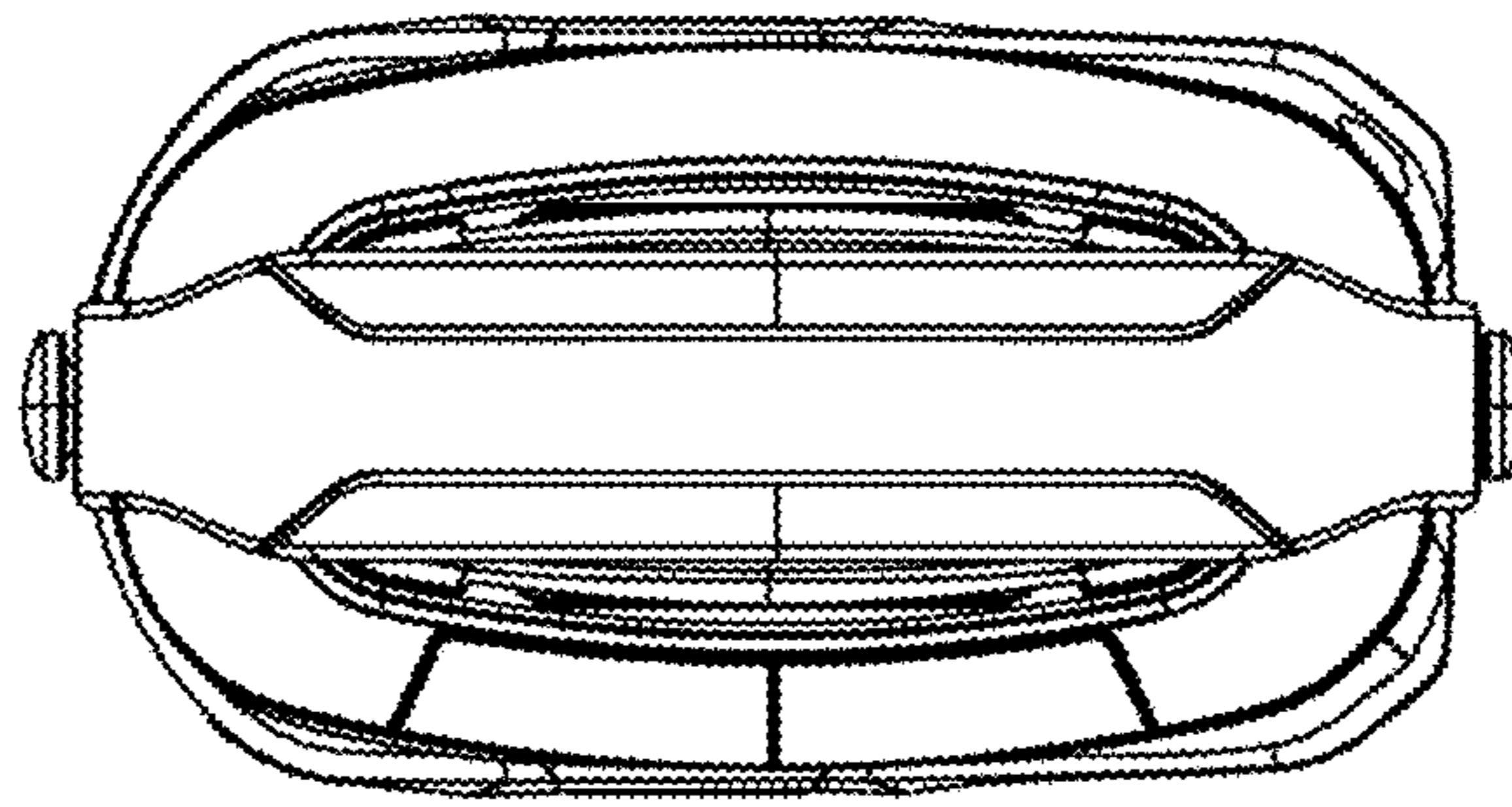


FIG. 4

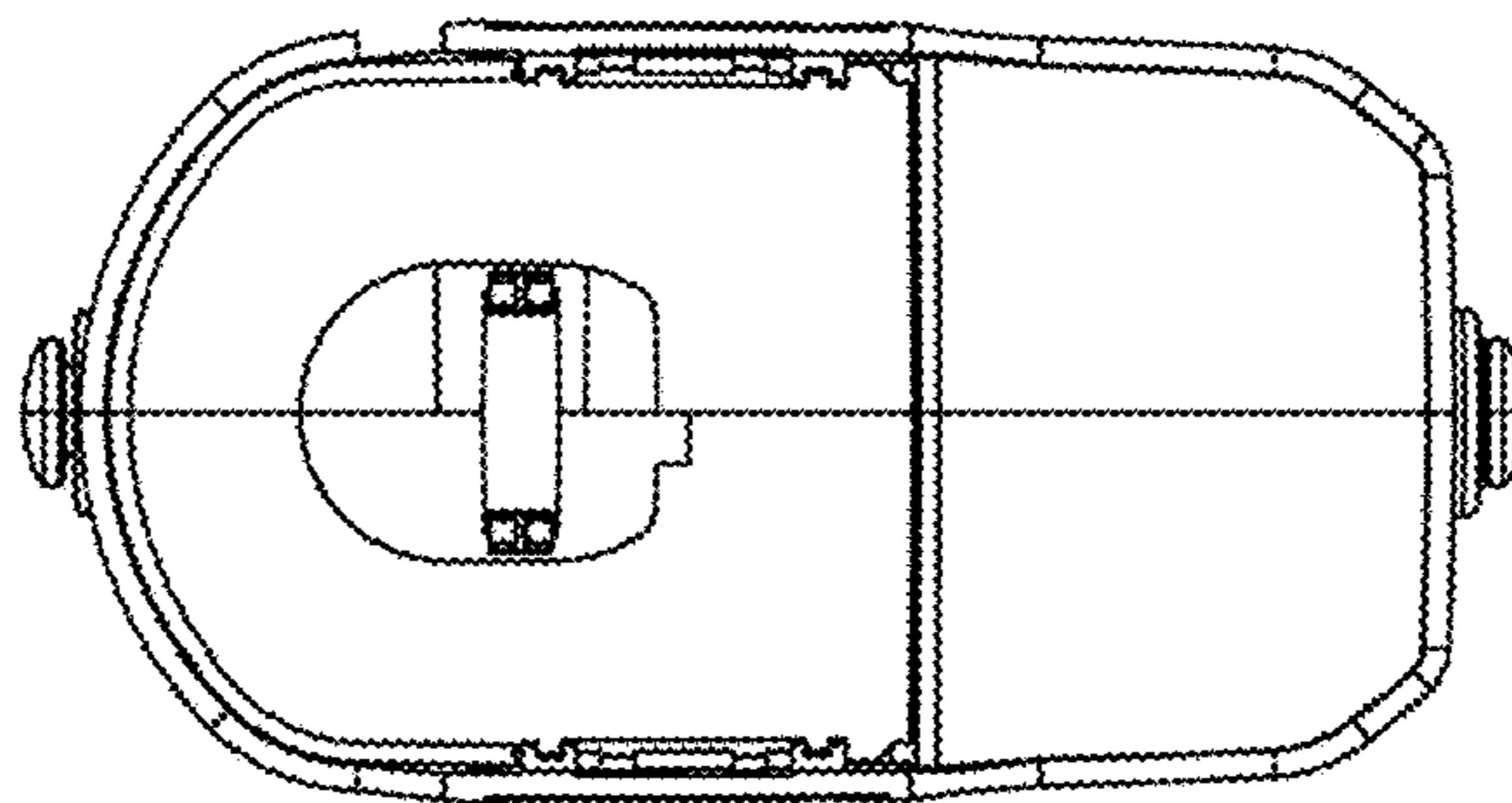


FIG. 5

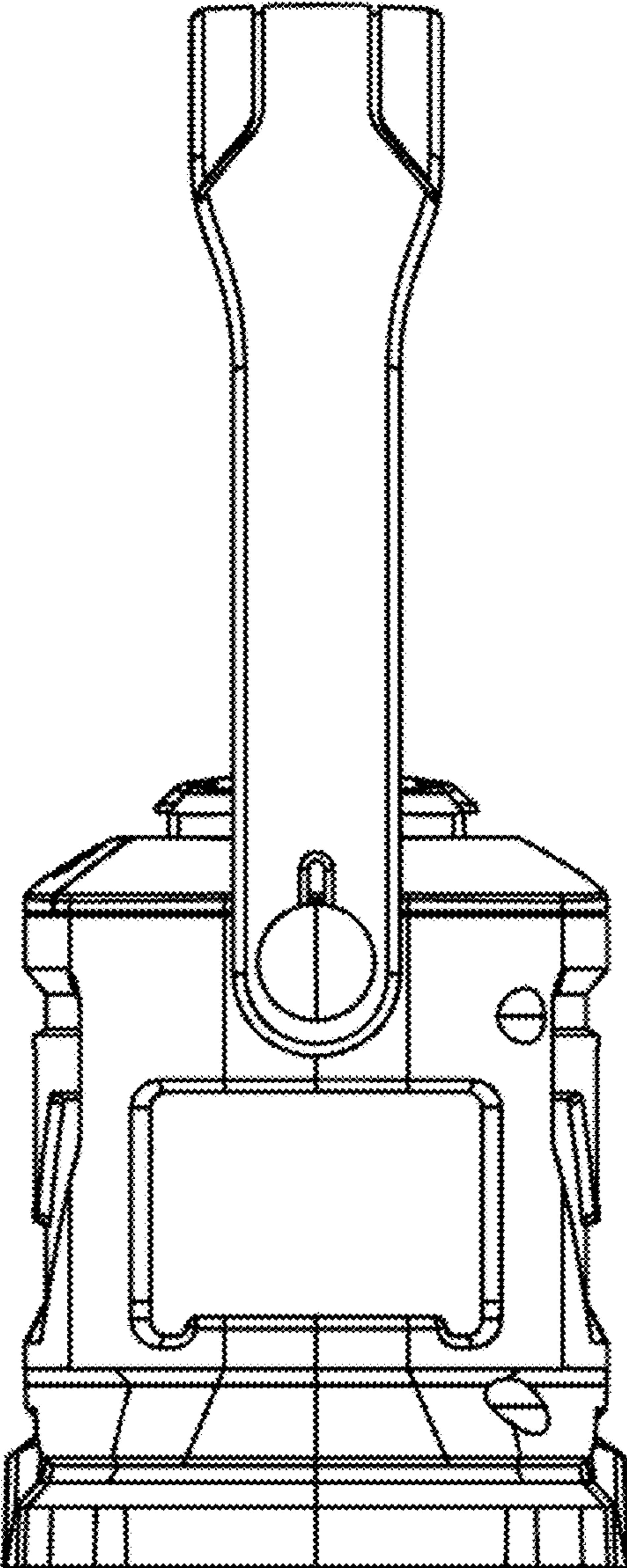


FIG. 6

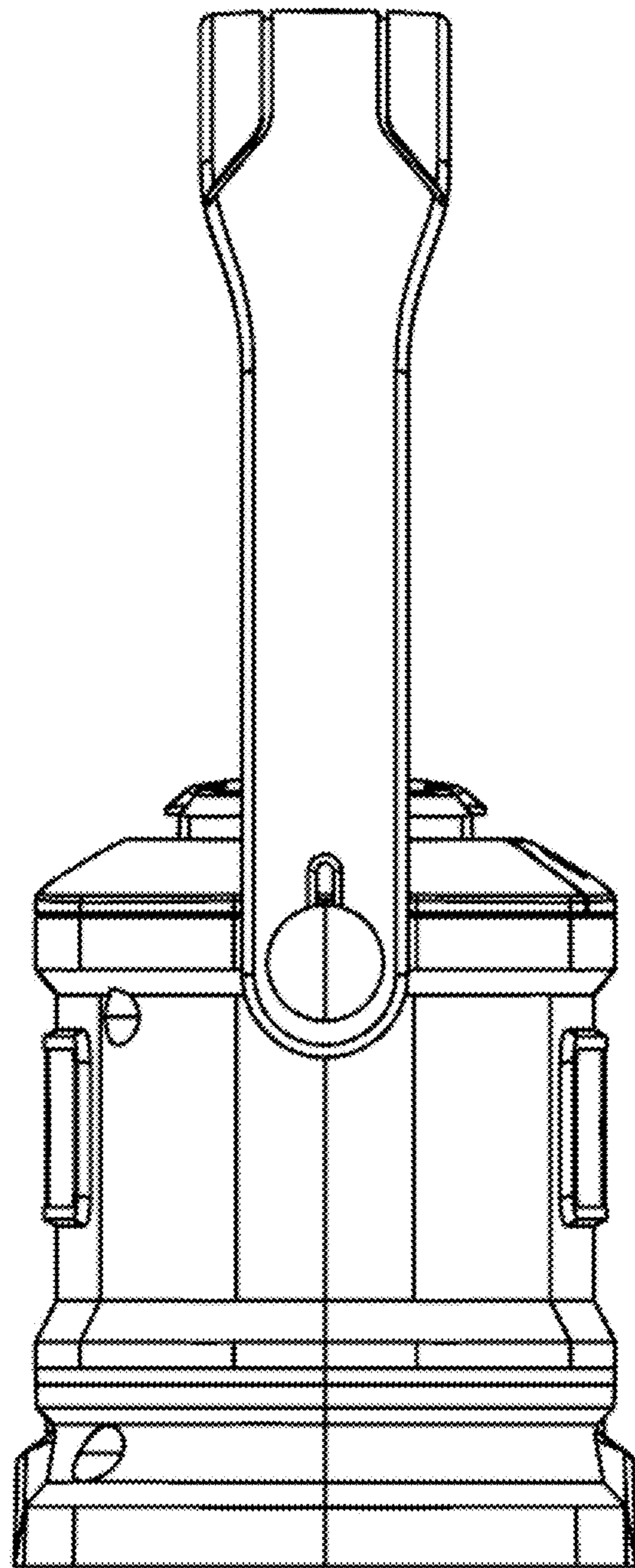


FIG. 7