



US00D837333S

(12) **United States Design Patent**
McKillips et al.

(10) **Patent No.:** **US D837,333 S**
(45) **Date of Patent:** **** Jan. 1, 2019**

(54) **FIREARM MOUNT**

(71) Applicant: **WHG Properties, LLC**, North Wales, PA (US)

(72) Inventors: **Neal McKillips**, Drexel Hill, PA (US);
William H. Geissele, Lower Gwynedd, PA (US)

(73) Assignee: **WHG Properties, LLC**, North Wales, PA (US)

(**) Term: **15 Years**

(21) Appl. No.: **29/591,663**

(22) Filed: **Jan. 23, 2017**

Related U.S. Application Data

(62) Division of application No. 29/538,431, filed on Sep. 3, 2015, now Pat. No. Des. 781,985.

(51) **LOC (11) Cl.** **22-01**

(52) **U.S. Cl.**
USPC **D22/110**

(58) **Field of Classification Search**
USPC D22/109-110
CPC . F41G 11/003; F41G 1/00; F41G 1/16; F41G 1/345

See application file for complete search history.

(56) **References Cited**

U.S. PATENT DOCUMENTS

2,542,513 A	2/1951	Hackett	
3,642,341 A	2/1972	Selfried	
4,893,412 A	1/1990	Snodgrass	
5,155,915 A	10/1992	Repa	
D612,756 S *	3/2010	D'Amelio	D10/70
7,694,450 B2 *	4/2010	Keng	F41G 11/003
			42/124
D638,089 S *	5/2011	Ding	D22/109
D662,566 S *	6/2012	Estes	D22/109

D664,232 S *	7/2012	Storch	D22/108
D672,840 S *	12/2012	Neufeld	D22/108
8,456,679 B2	6/2013	Farrell	
D704,296 S *	5/2014	Cheng	D22/109
D728,729 S *	5/2015	Geissele	D22/109
D741,442 S *	10/2015	Wilson	D22/108
D747,430 S *	1/2016	Theisinger	D22/109
D747,431 S *	1/2016	Cheng	D22/109
9,316,460 B2 *	4/2016	Cheng	F41G 1/345
9,500,442 B2 *	11/2016	Collin	G03H 1/0005

(Continued)

FOREIGN PATENT DOCUMENTS

GB 646419 A 11/1950

OTHER PUBLICATIONS

Badger Ordnance Website available at http://www.badgerordnance.com/night-vision-mounts.html?bo_spec=46 (Sep. 3, 2015).

Primary Examiner — Michael A. Pratt

(74) *Attorney, Agent, or Firm* — Fox Rothschild LLP

(57) **CLAIM**

The ornamental design for a firearm mount, as shown and described.

DESCRIPTION

FIG. 1 is a top, front, right side perspective view of a firearm mount according to the present disclosure, shown with a firearm.

FIG. 2 is a top, front, left side perspective view of the firearm mount of FIG. 1;

FIG. 3 is a left side view of the firearm mount of FIG. 1;

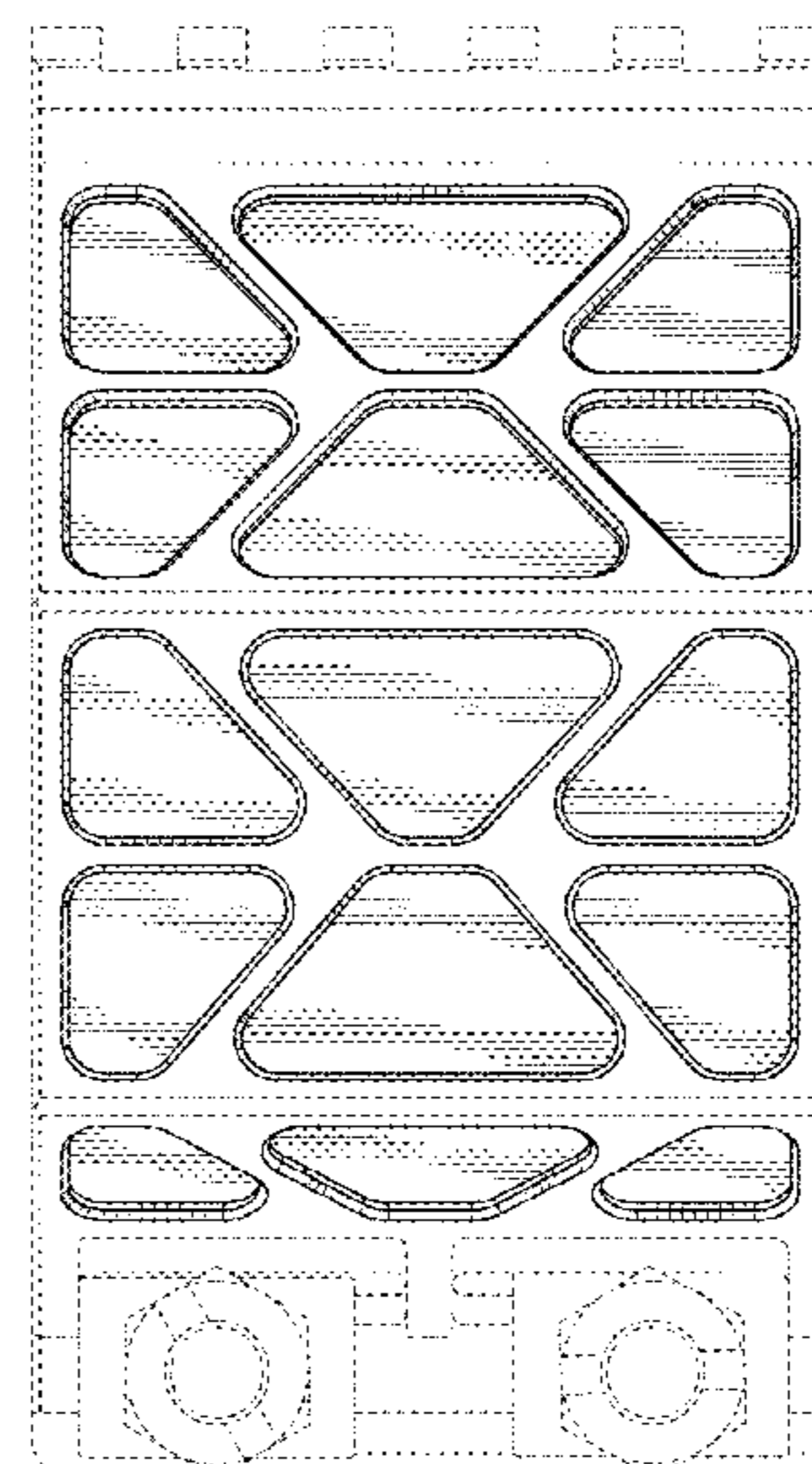
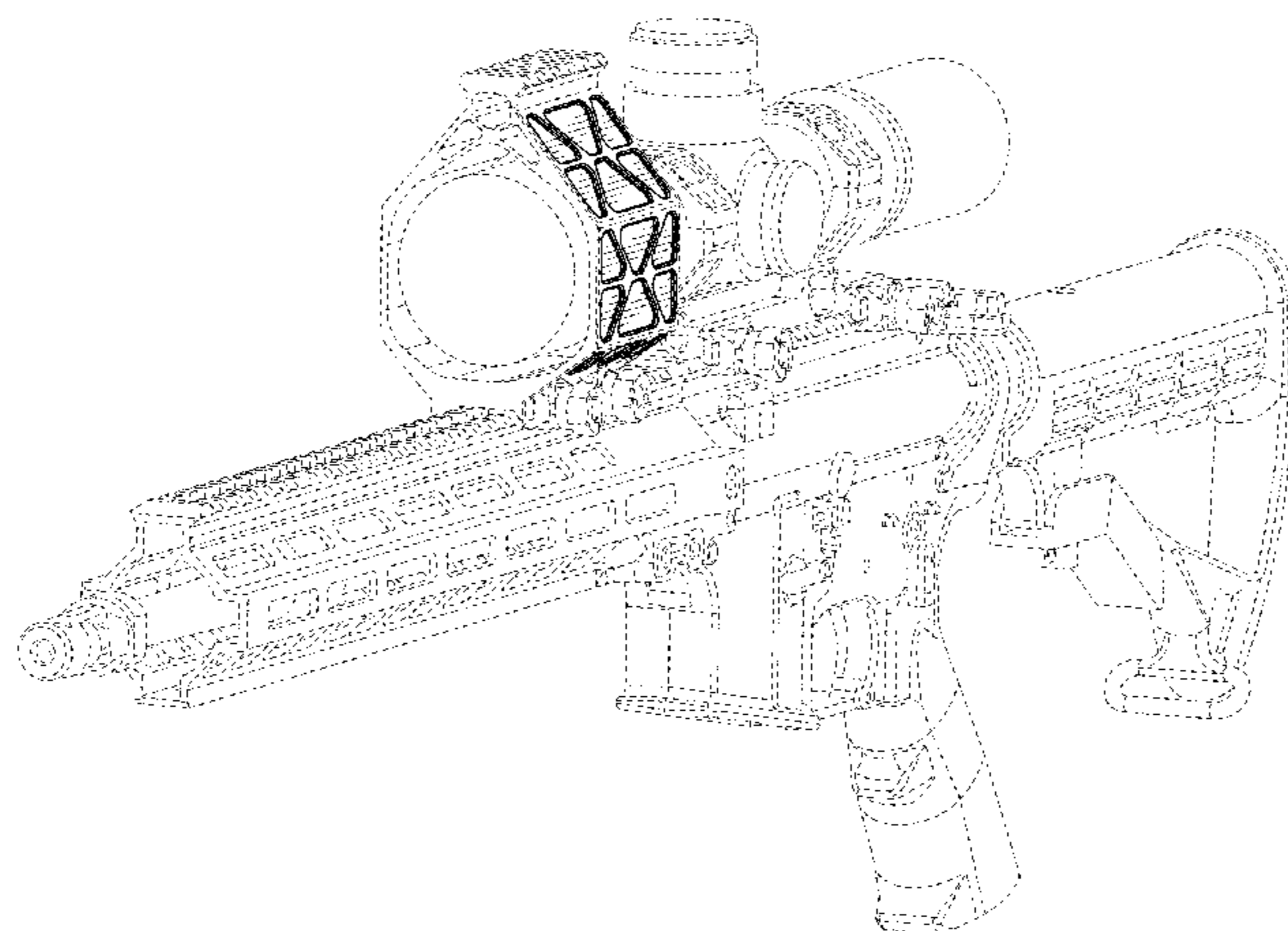
FIG. 4 is a right side view of the firearm mount of FIG. 1;

FIG. 5 is a top view of the firearm mount of FIG. 1; and,

FIG. 6 is a bottom view of the firearm mount of FIG. 1.

The broken lines in the Figures are for illustrative purposes only and form no part of the claimed design.

1 Claim, 5 Drawing Sheets



(56)

References Cited

U.S. PATENT DOCUMENTS

2005/0268519	A1	12/2005	Pilelny	
2011/0099881	A1	5/2011	Jung	
2012/0174462	A1	7/2012	Spuhr	
2012/0311909	A1	12/2012	Cheng	
2014/0190062	A1	7/2014	Turner	
2015/0052796	A1	2/2015	Baker	
2015/0128472	A1	5/2015	Thelsinger	
2015/0308786	A1	10/2015	Cheng	
2016/0102943	A1*	4/2016	Teetzel F41G 1/35 42/113
2016/0252330	A1*	9/2016	Babbitt F16B 2/065 248/315

* cited by examiner

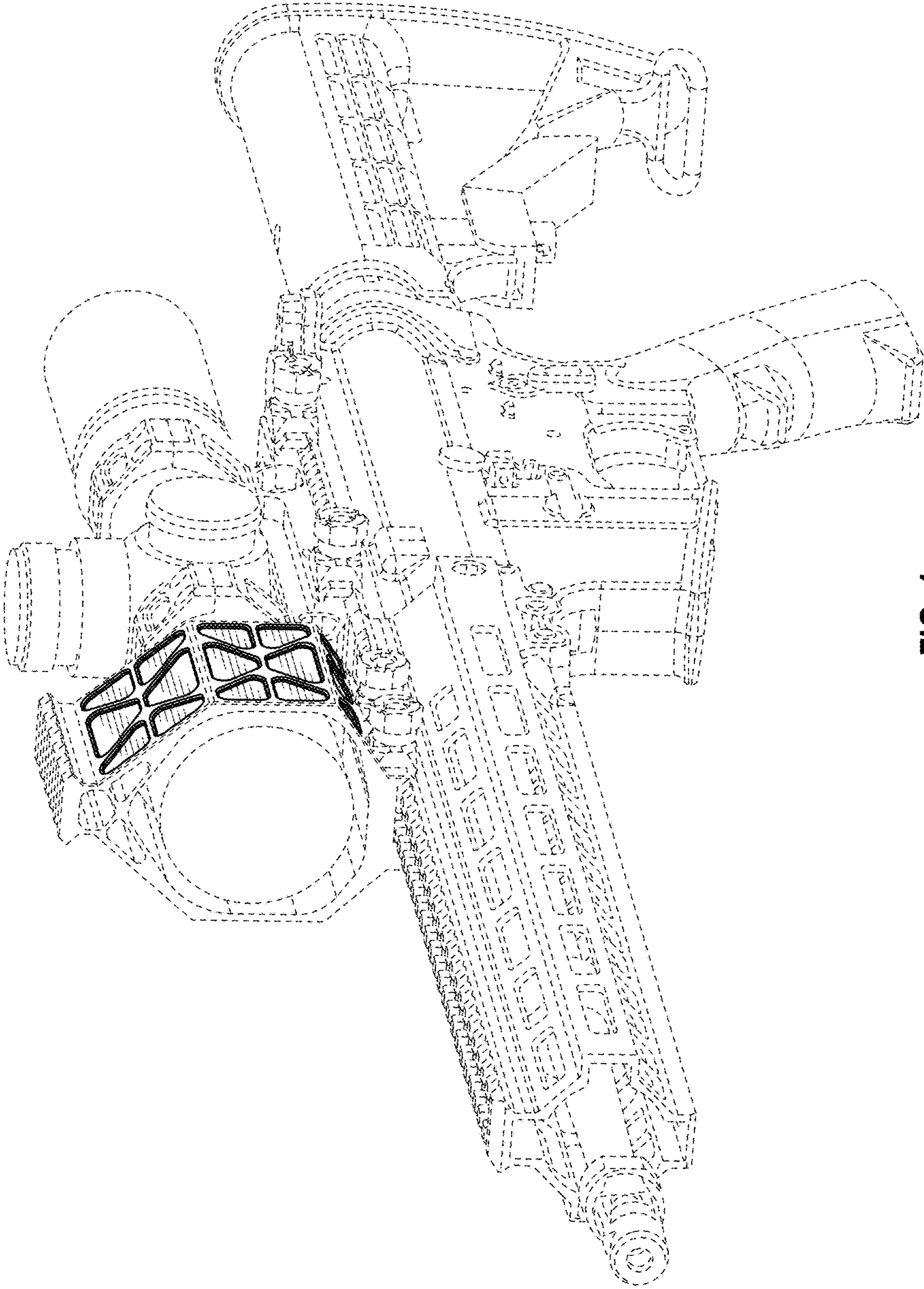


FIG. 1

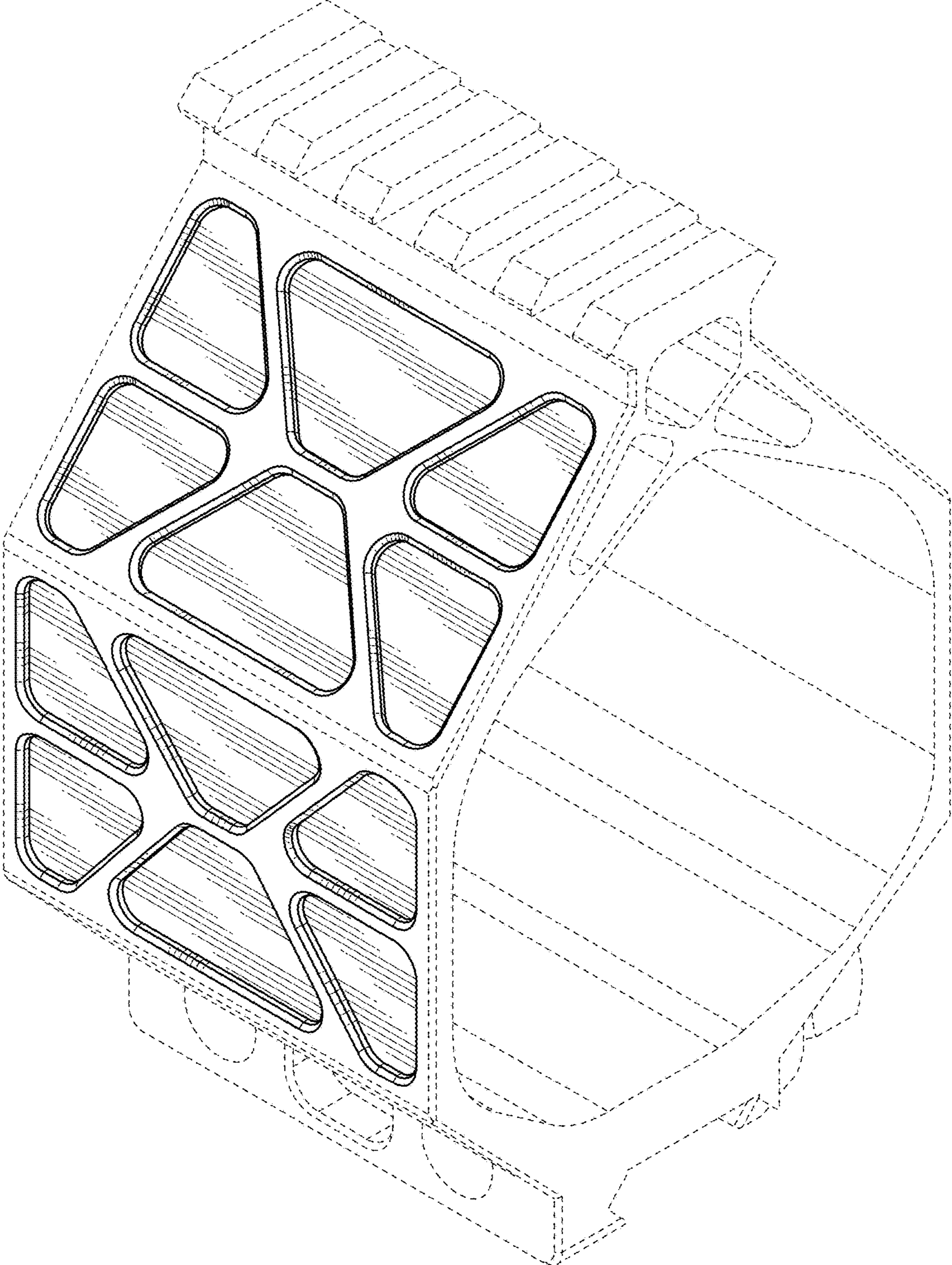


FIG. 2

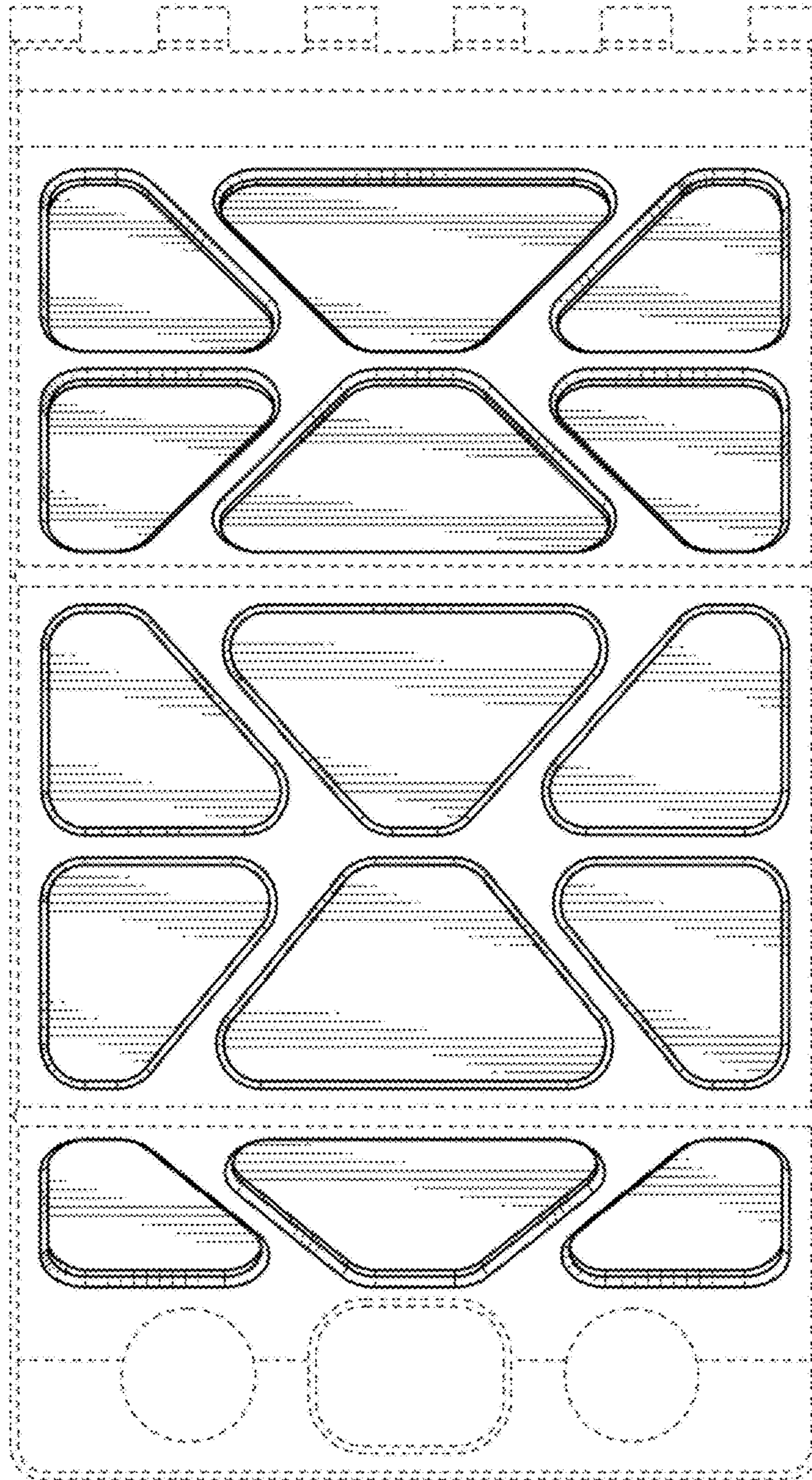


FIG. 3

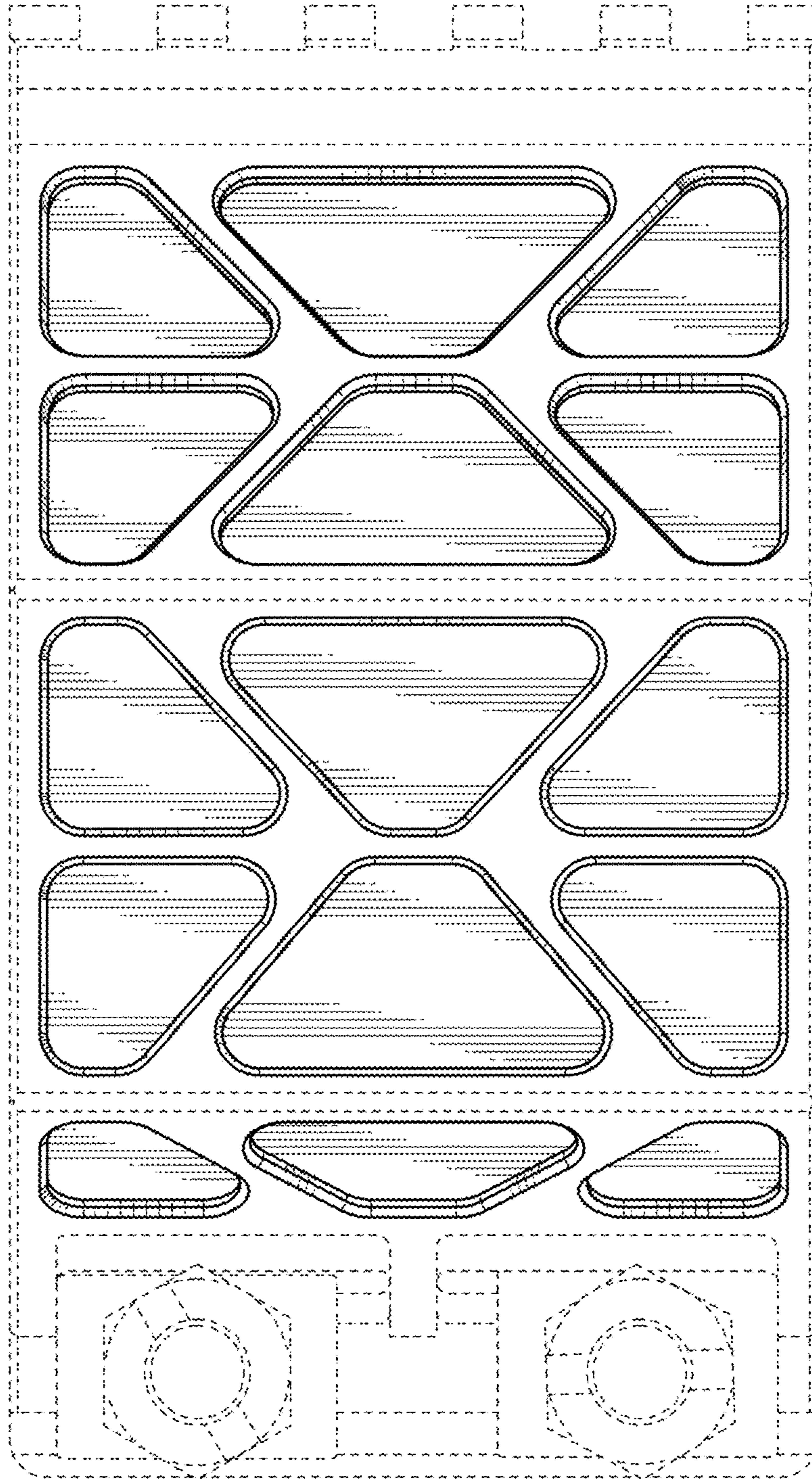


FIG. 4

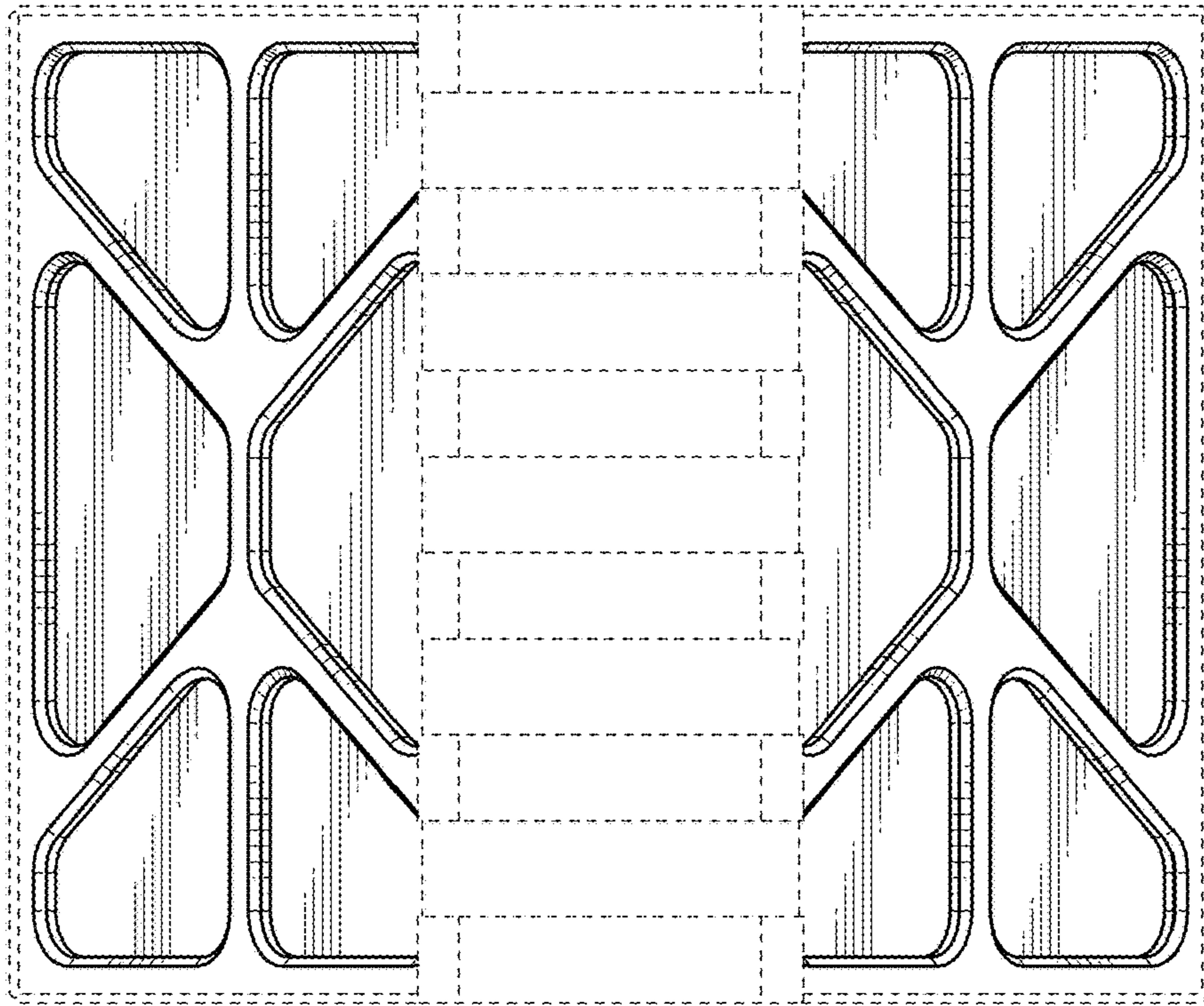


FIG. 5

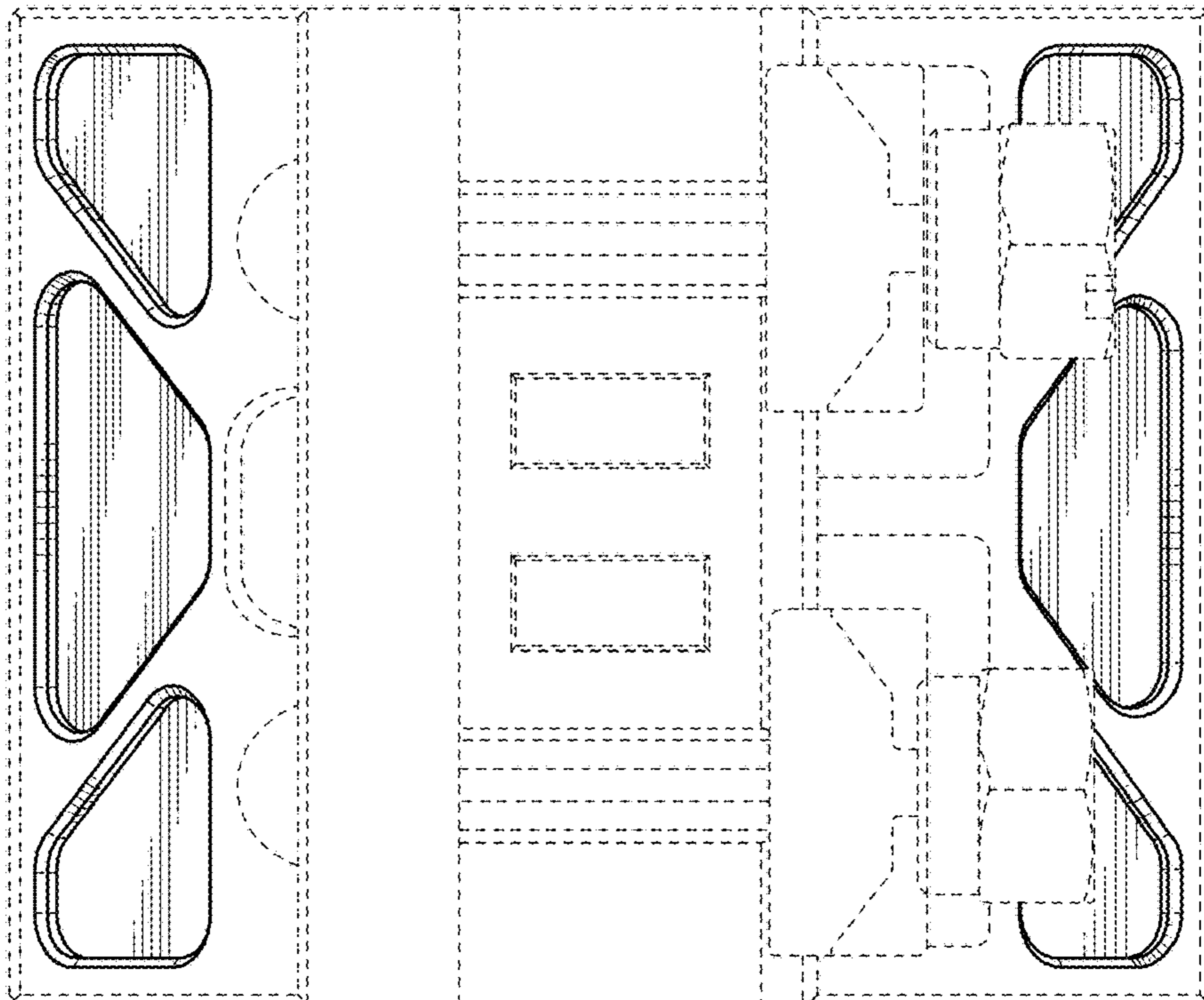


FIG. 6