



US00D837331S

(12) **United States Design Patent**
Garner

(10) **Patent No.:** **US D837,331 S**
(45) **Date of Patent:** **** Jan. 1, 2019**

(54) **MAGAZINE ASSEMBLY BASEPLATE**

(71) Applicant: **Carson Garner**, Great Falls, VA (US)

(72) Inventor: **Carson Garner**, Great Falls, VA (US)

(**) Term: **15 Years**

(21) Appl. No.: **29/613,901**

(22) Filed: **Aug. 14, 2017**

(51) **LOC (11) Cl.** **22-01**

(52) **U.S. Cl.**
USPC **D22/108**

(58) **Field of Classification Search**

USPC D22/100, 101, 103, 106, 108, 109, 110,
D22/111, 117, 199; D21/300, 301, 570,
D21/573, 574, 575

CPC F41B 5/14; F41B 5/00; F41C 27/00; F41C
23/14; F41C 23/06; F41C 3/00; F41C
7/00; F41C 23/20; F41C 23/08; F41C
23/10; F41G 11/003; F41G 1/18; F41G
1/38; F41G 1/545

See application file for complete search history.

(56) **References Cited**

U.S. PATENT DOCUMENTS

D362,044 S *	9/1995	Sniezak	D22/100
D401,992 S *	12/1998	Pearce	D22/108
D726,279 S *	4/2015	Stedman	D22/108
D745,944 S *	12/2015	Kielsmeier	D22/108
D757,884 S *	5/2016	Kielsmeier	D22/108
D792,548 S *	7/2017	Daniel	D22/108
D809,085 S *	1/2018	Geissele	D22/108
D810,223 S *	2/2018	Kielsmeier	D22/108
D812,176 S *	3/2018	Kielsmeier	D22/108

OTHER PUBLICATIONS

<http://ridgeiron.com/product/ridge-iron-talon-glock-19-17-baseplate/>—
Retrieved Jul. 28, 2018.*

<http://ridgeiron.com/product/ridge-iron-rasp-glock-43-baseplate/>—
Retrieved Jul. 28, 2018.*

<https://coolhandgear.com/catalog/product/glock-plates/g10-glock-magazine-base-plates-for-45acp-10mm-4pk-glock2-j4-5/>—
Retrieved Jul. 28, 2018.*

<https://www.copsplus.com/command-arms-glrc-new-glock-nmagazine-base-with-picatinny-mount>—Retrieved Jul. 28, 2018.*

* cited by examiner

Primary Examiner — Manpreet S Matharu

Assistant Examiner — Mojtaba Tehrani

(74) *Attorney, Agent, or Firm* — Kristina Castellano;
Castellano PLLC

(57) **CLAIM**

The ornamental design for a magazine assembly baseplate, as shown and described.

DESCRIPTION

FIG. 1 is a top plan view of a magazine assembly baseplate, showing my new design;

FIG. 2 is a bottom view thereof;

FIG. 3 is a perspective view from the top front right thereof;

FIG. 4 is a front plan view thereof,

FIG. 5 is a perspective view from the top front left thereof;

FIG. 6 is a right plan view thereof;

FIG. 7 is a left plan view thereof;

FIG. 8 is a perspective view from the top back right side thereof;

FIG. 9 is a plan view from the back thereof;

FIG. 10 is a perspective view from the top back left side thereof;

FIG. 11 is a bottom perspective view thereof; and,

FIG. 12 is a further bottom perspective view thereof.

1 Claim, 5 Drawing Sheets

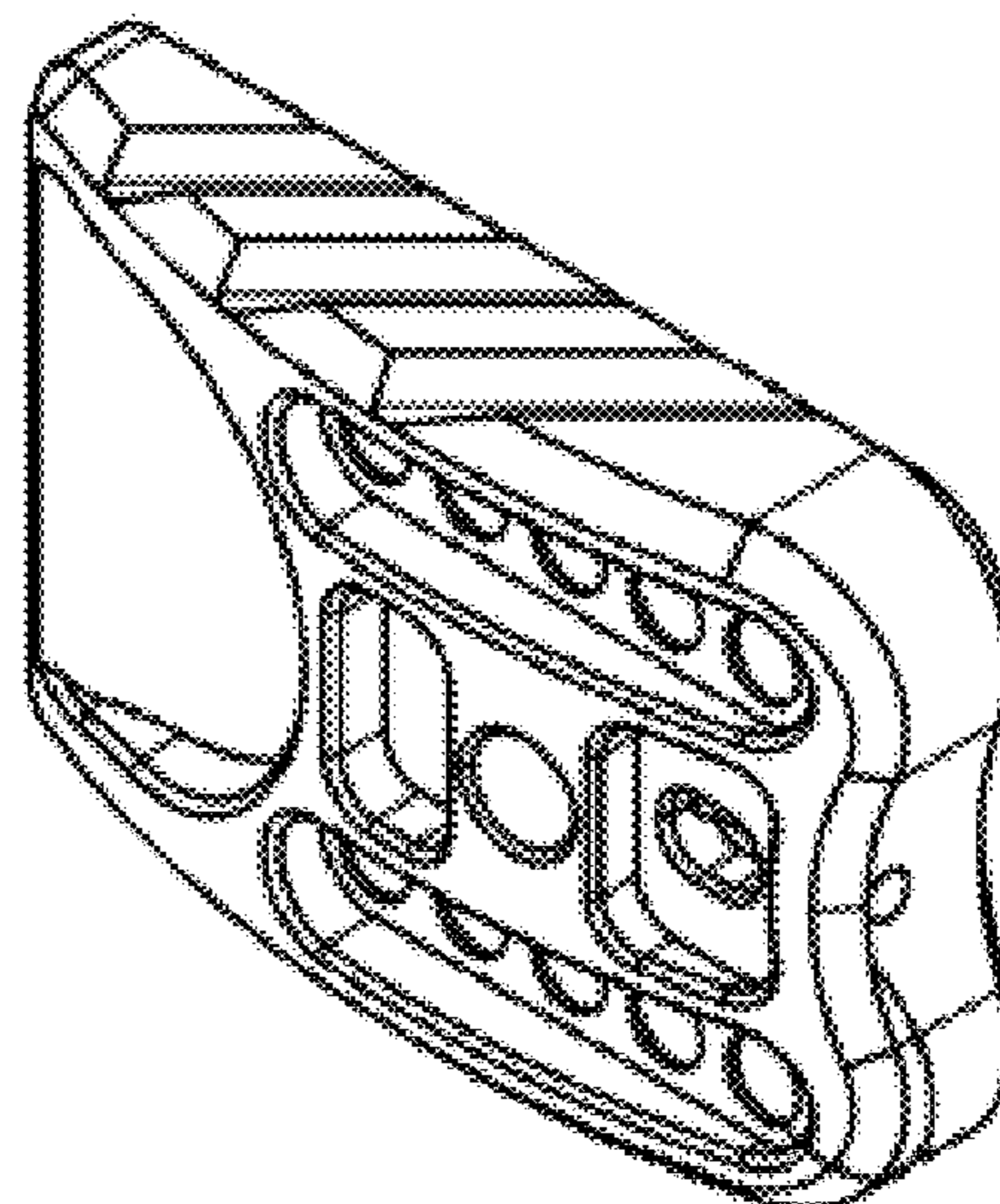
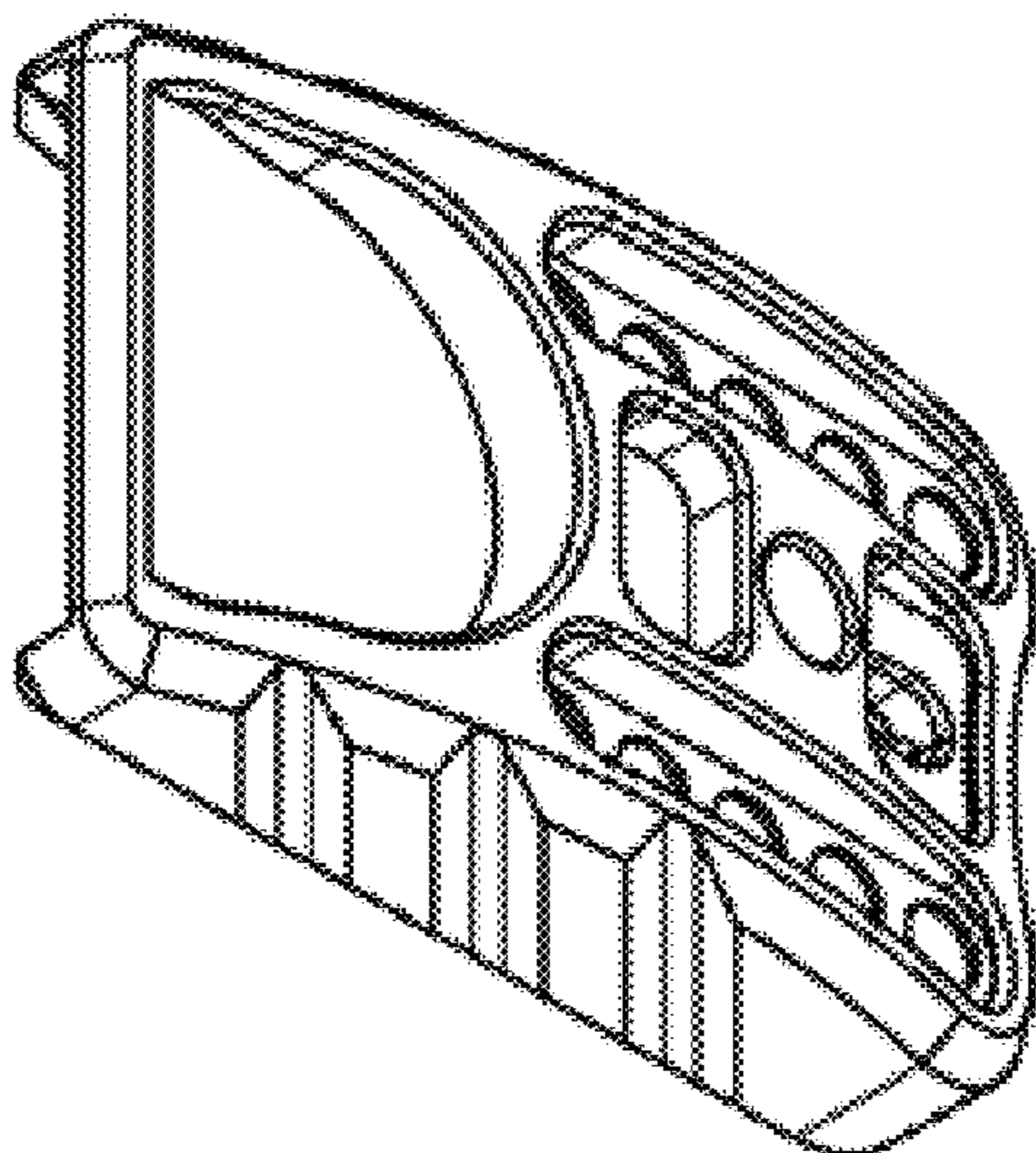


FIG. 1

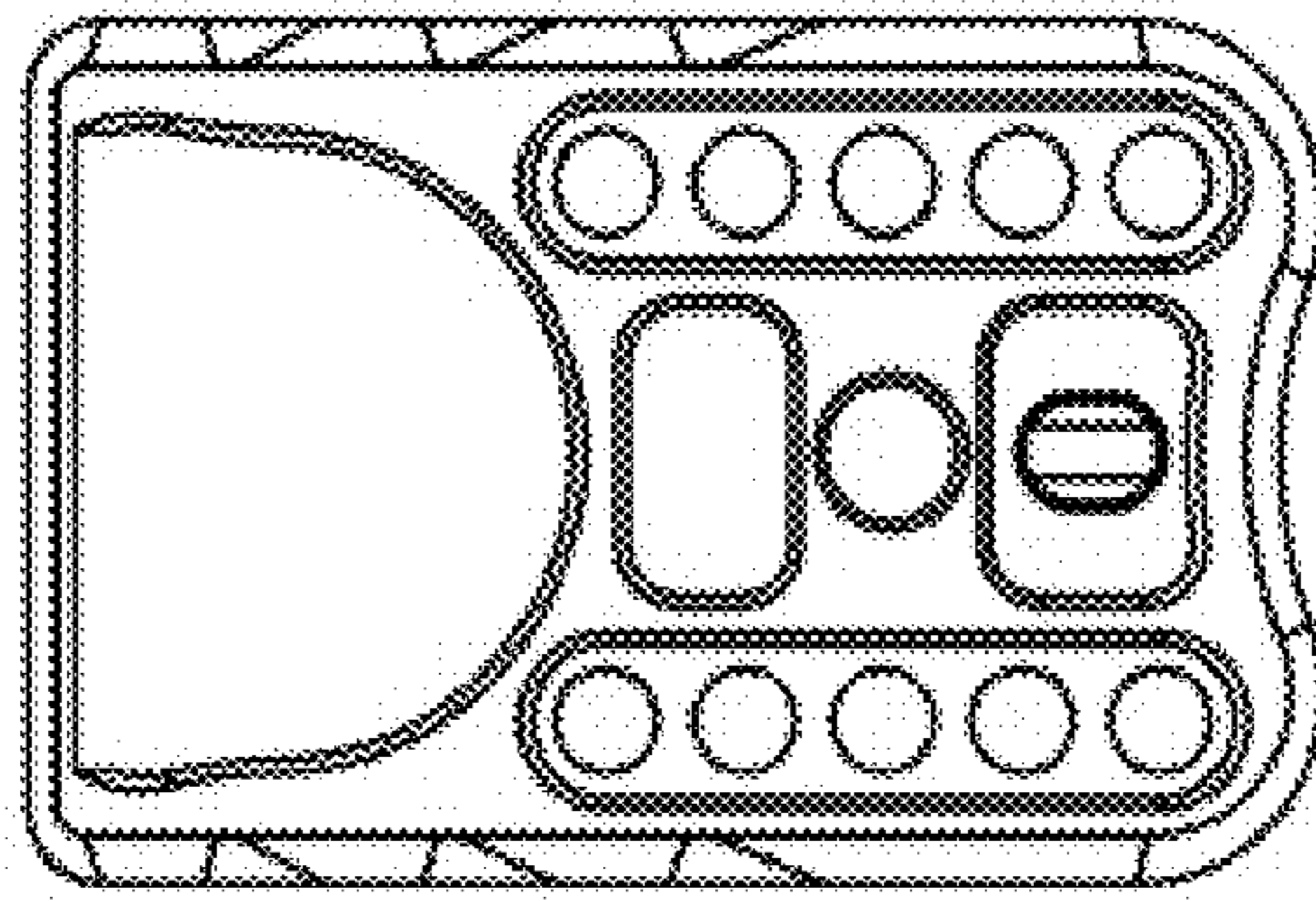


FIG. 2

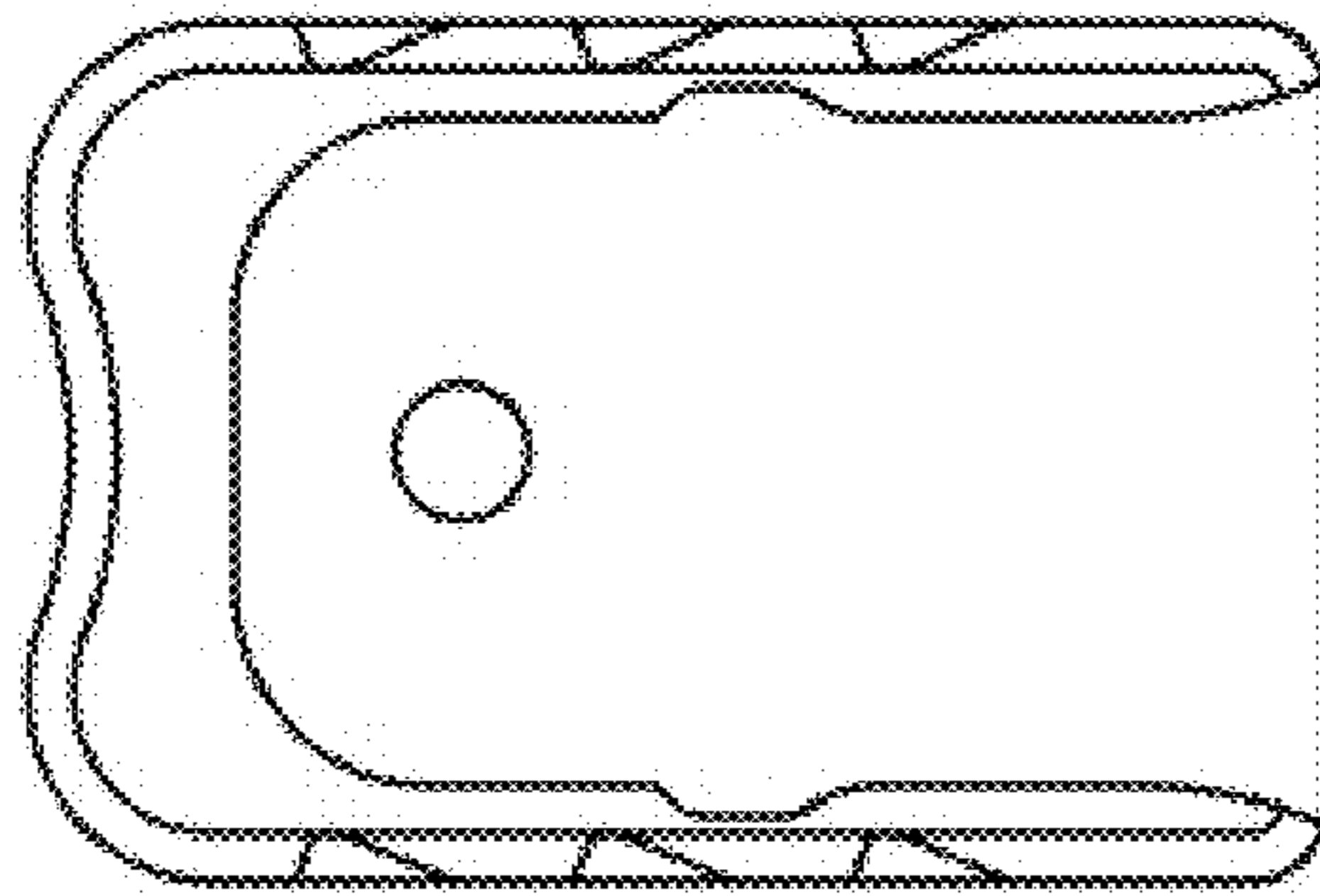


FIG. 3

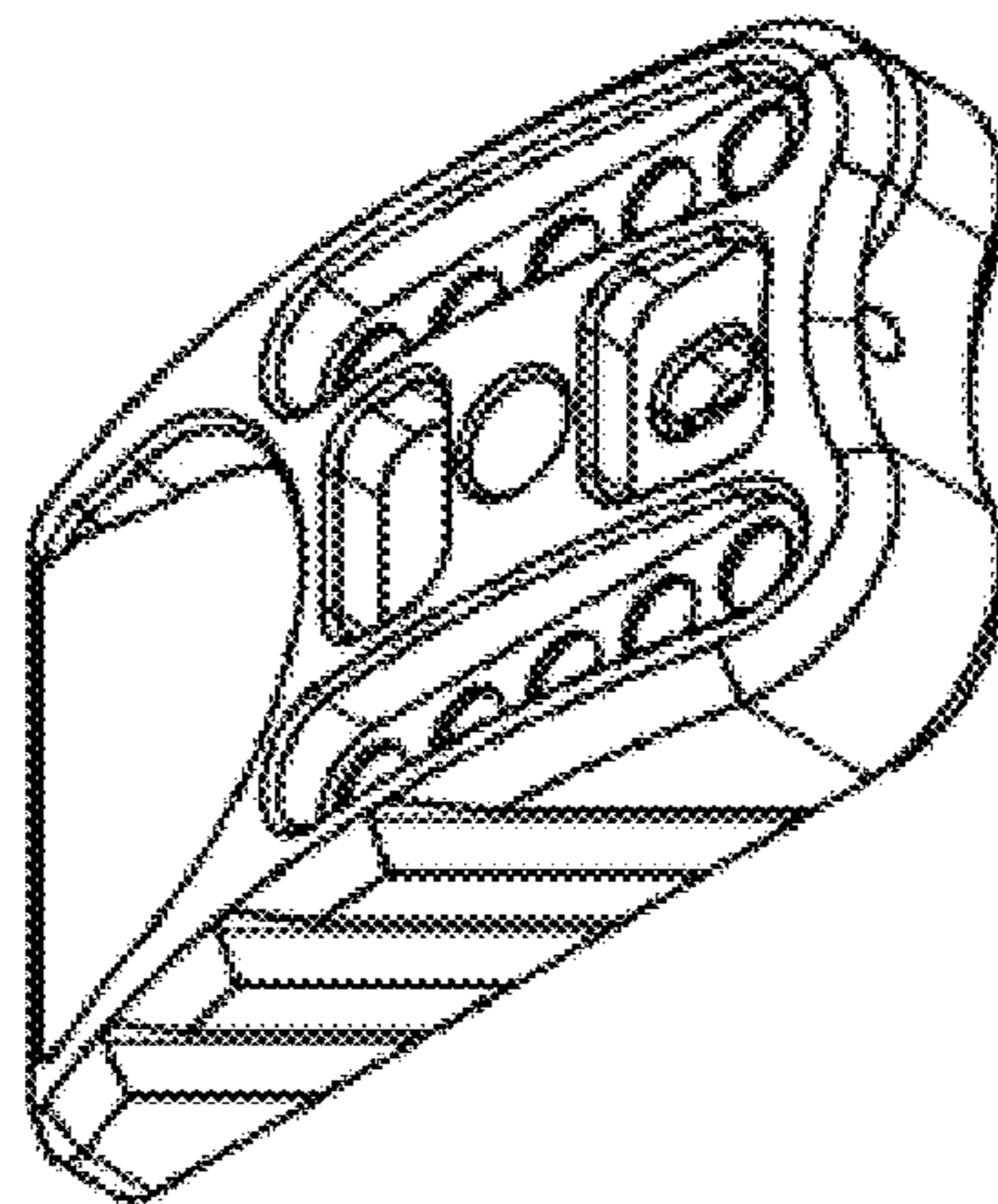


FIG. 4



FIG. 5

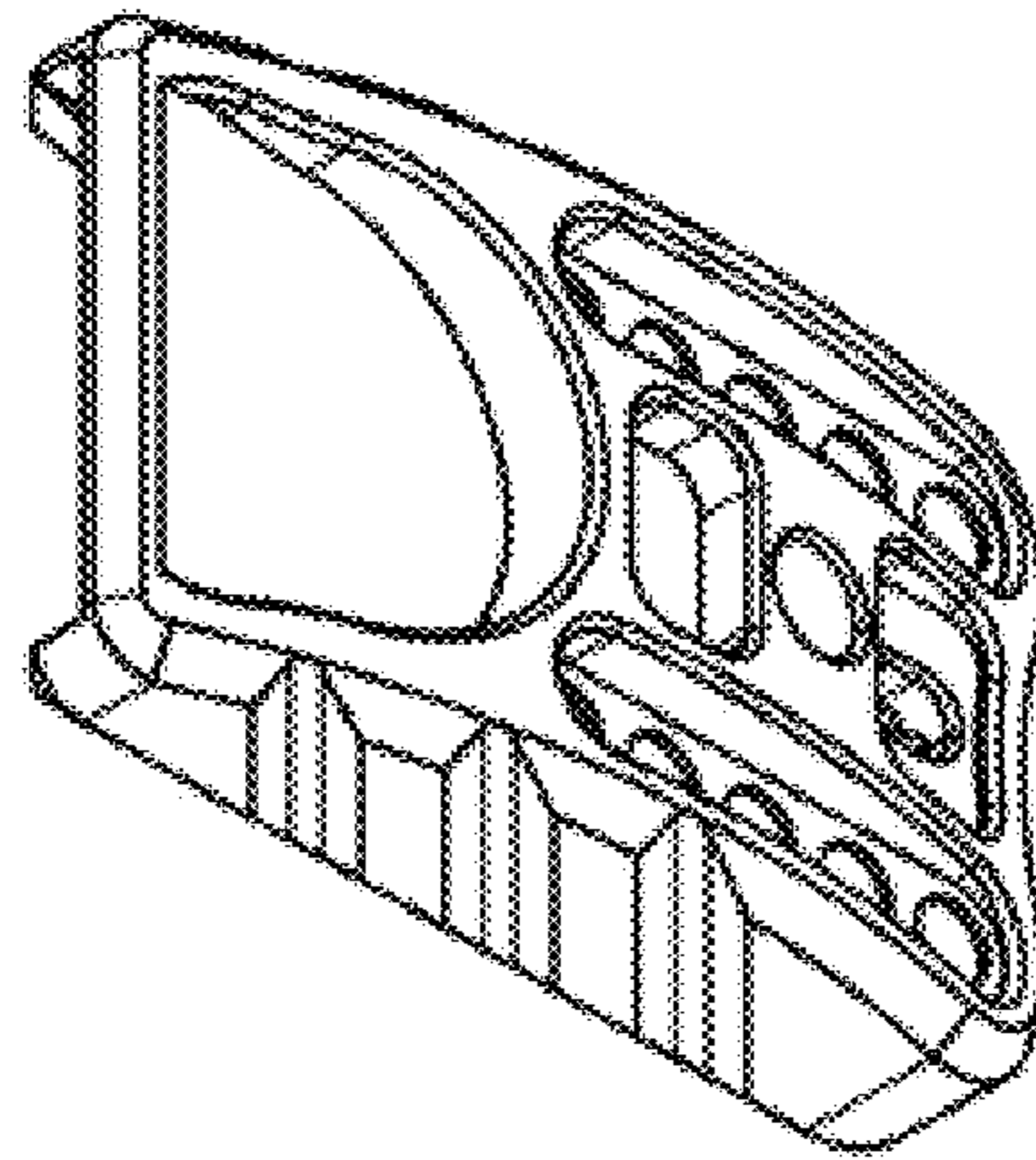


FIG. 6

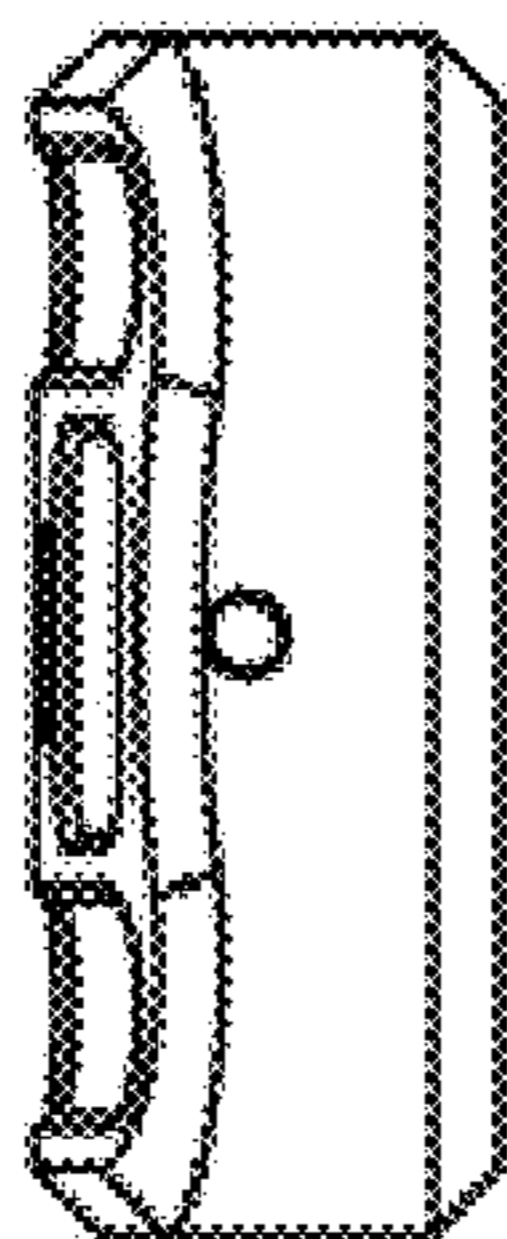


FIG. 7

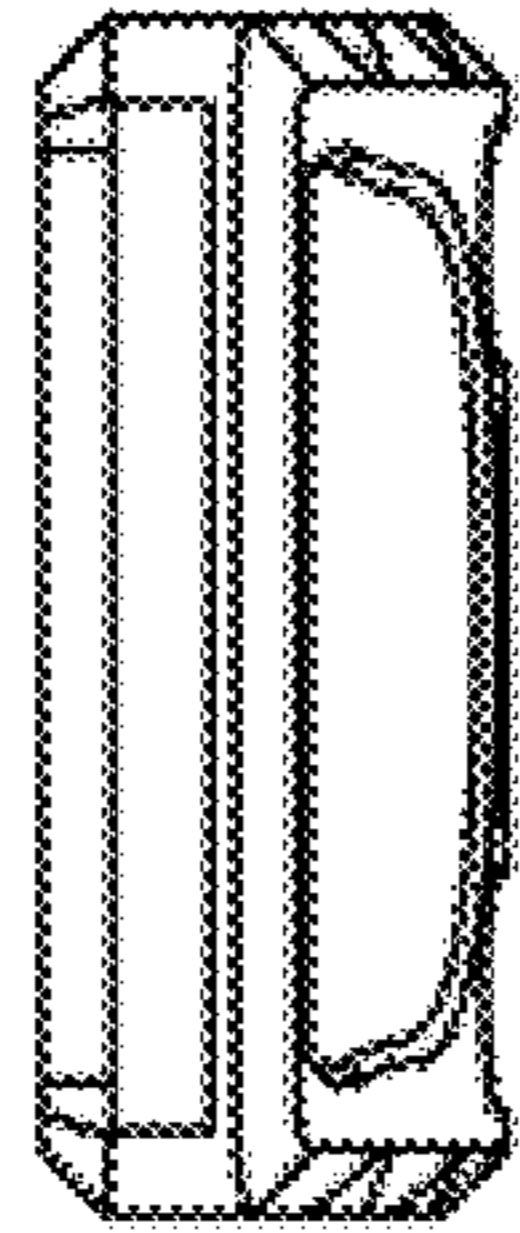


FIG. 8

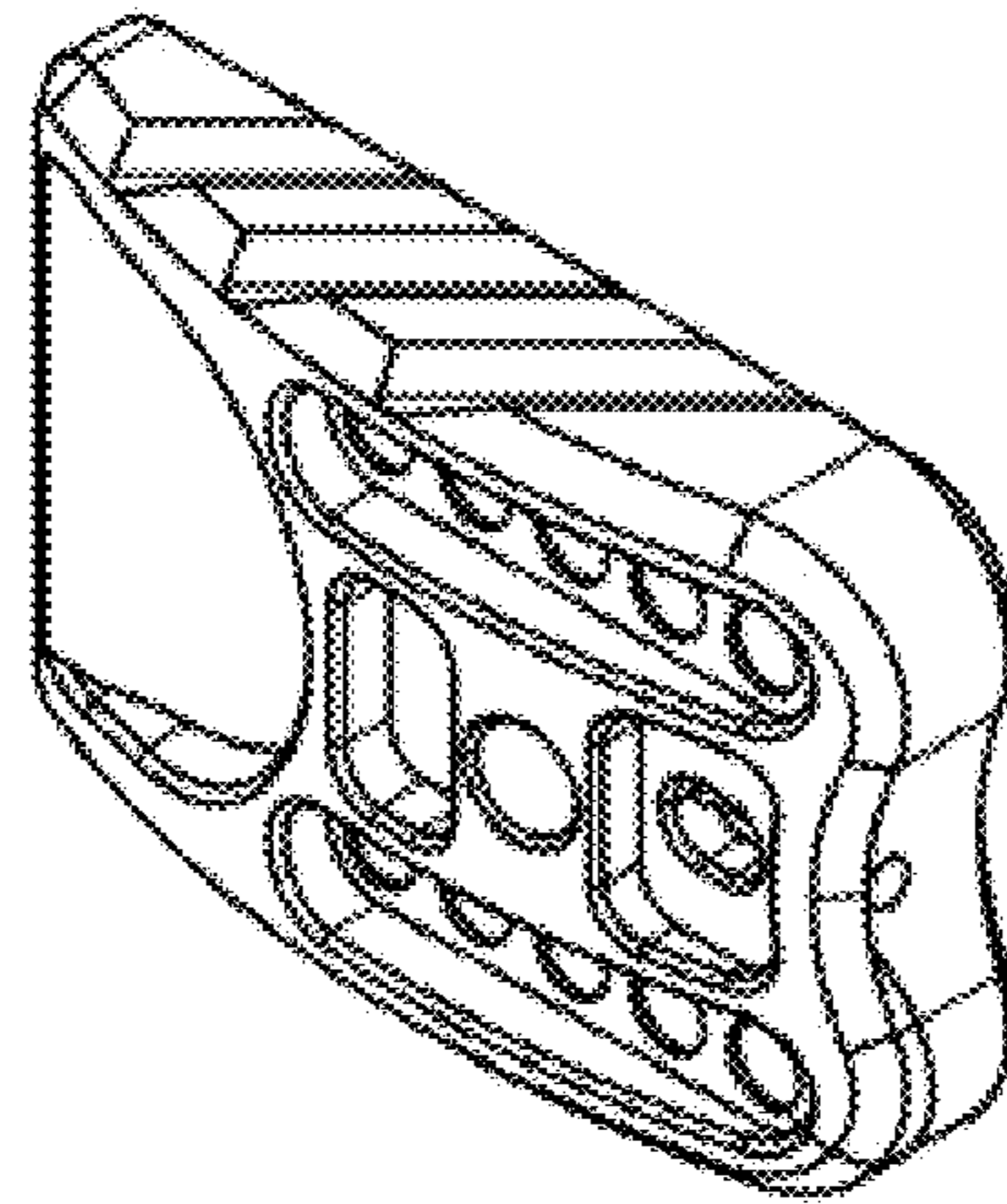


FIG. 9



FIG. 10

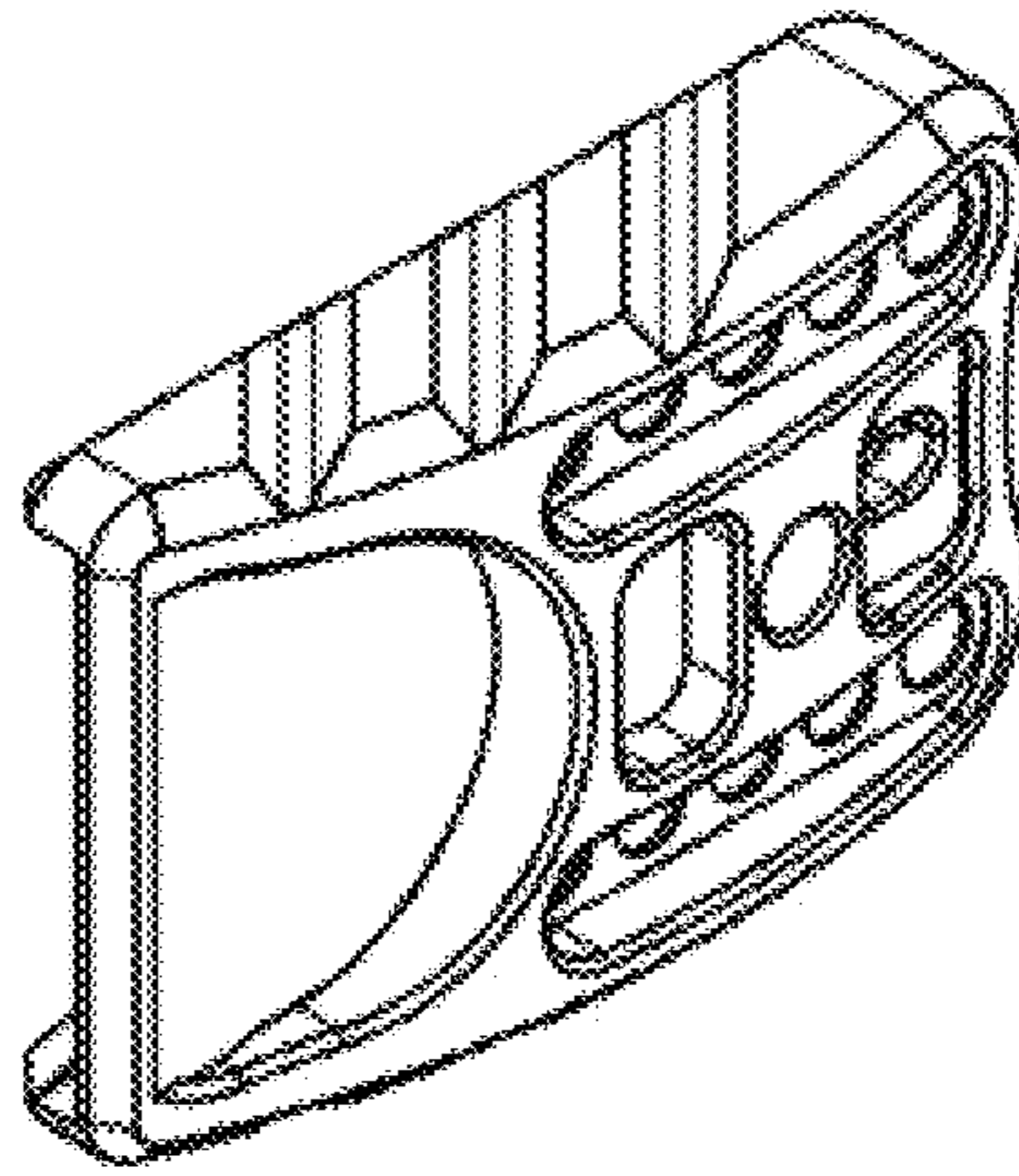


FIG. 11

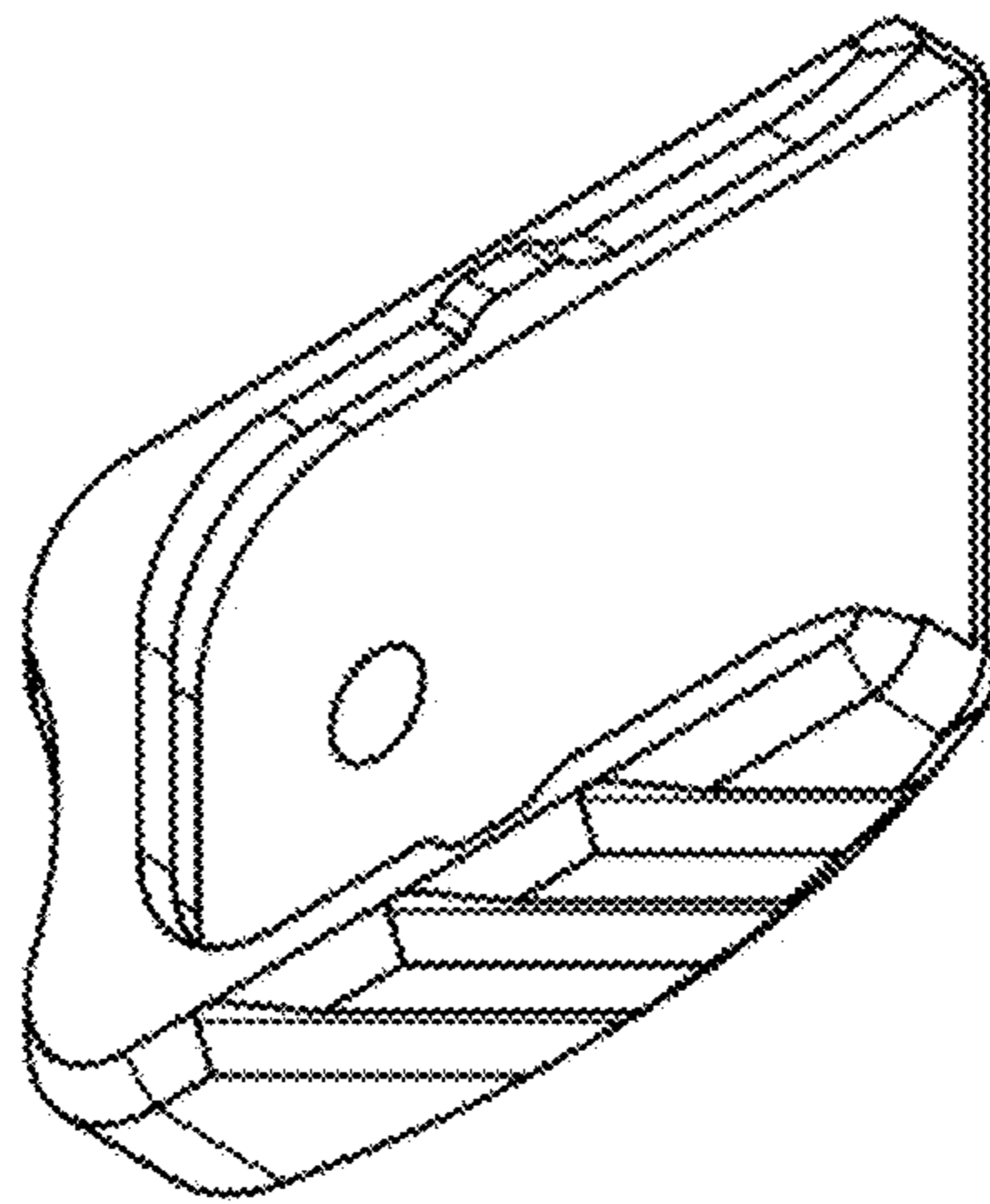


FIG. 12

