



US00D837329S

(12) **United States Design Patent** (10) **Patent No.:** **US D837,329 S**
Ruiz (45) **Date of Patent:** **** Jan. 1, 2019**

(54) **QUICK RELEASE MECHANISM**

(71) Applicant: **George Ruiz**, Hacienda Heights, CA (US)

(72) Inventor: **George Ruiz**, Hacienda Heights, CA (US)

(73) Assignee: **AIM Sports Inc.**, Ontario, CA (US)

(**) Term: **15 Years**

(21) Appl. No.: **29/592,289**

(22) Filed: **Jan. 28, 2017**

(51) **LOC (11) Cl.** **22-01**

(52) **U.S. Cl.**
USPC **D22/108**

(58) **Field of Classification Search**
USPC D22/108-110, 199; D16/132, 130, 133,
D16/330, 134; 359/399, 359, 823, 744;
(Continued)

(56) **References Cited**

U.S. PATENT DOCUMENTS

2,824,504 A 2/1958 Bethmann
2,887,668 A * 5/1959 Sherno H01R 11/282
439/757

(Continued)

OTHER PUBLICATIONS

CISNO Quick Release 45 Offset Mount, Amazon.com, [online],
[site visited Apr. 4, 2018]. <URL: <https://www.amazon.com/CISNO-Release-Tactical-Flashlight-Pressure/dp/B00JRSRQJE>> (Year: 2018).*

(Continued)

Primary Examiner — T Chase Nelson
Assistant Examiner — Jonathan J. Han

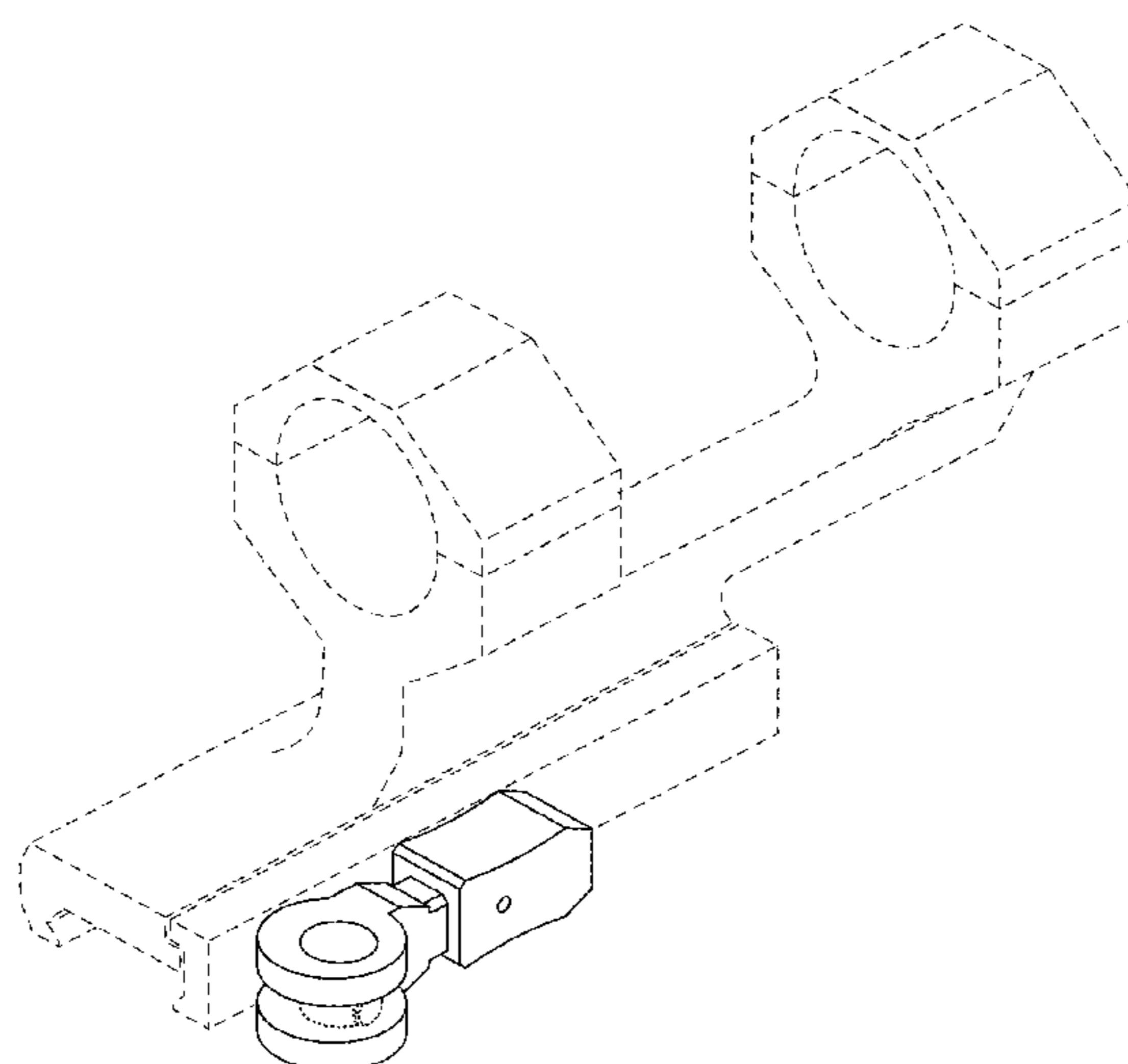
(57) **CLAIM**

The ornamental design for a quick release mechanism, as shown and described.

DESCRIPTION

FIG. 1 is a perspective view of a quick release mechanism of the invention;
FIG. 2 is a top view thereof;
FIG. 3 is a top view thereof, next to a mounting rail in broken lines;
FIG. 4 is a top view thereof, next to a mounting rail in broken lines, and with the release mechanism at a right angle to the mounting rail;
FIG. 5 is a top view thereof, next to a mounting rail in broken lines;
FIG. 6 is a bottom view thereof;
FIG. 7 is a bottom view thereof, next to a mounting rail in broken lines;
FIG. 8 is a side view thereof, in front of a mounting clamp in broken lines;
FIG. 9 is a top end view thereof, in front of a mounting clamp in broken lines;
FIG. 10 is another side view thereof, in front of a mounting clamp in broken lines;
FIG. 11 is a bottom end view thereof, next to a mounting clamp in broken lines;
FIG. 12 is a top end view thereof, next to a mounting clamp in broken lines;
FIG. 13 is a side view thereof, next to a mounting clamp in broken lines, and with the release mechanism at a right angle to the mounting clamp; and,
FIG. 14 is another side view thereof, next to a mounting clamp in broken lines, and with the release mechanism at a right angle to the mounting clamp.
The broken lines used to show the environment are for illustration purposes only and form no part of the claimed design.

1 Claim, 14 Drawing Sheets



(58) **Field of Classification Search**

USPC 42/111, 113, 114, 116, 119, 133, 122,
42/124, 125, 127, 145, 128, 72, 106, 90,
42/11, 85, 75.02, 71.01; 248/205.1, 201;
D26/38-39; 33/227, 229; 89/200-204
CPC F41C 27/00
See application file for complete search history.

(56) **References Cited**

U.S. PATENT DOCUMENTS

4,845,871 A 7/1989 Swan
5,000,076 A * 3/1991 David F41A 17/58
89/148
5,276,988 A 1/1994 Swan
5,333,023 A * 7/1994 Oxford F16M 11/041
248/222.13
5,390,419 A 2/1995 Sirkis
5,787,630 A 8/1998 Martel
6,435,738 B1 8/2002 Vogt
6,442,883 B1 9/2002 Waterman et al.
6,637,144 B2 10/2003 Nelson et al.
6,773,172 B1 * 8/2004 Johnson F16M 11/041
248/187.1
7,272,904 B2 9/2007 Larue
7,562,485 B2 7/2009 Newhall et al.
7,739,824 B1 6/2010 Swan
7,823,316 B2 11/2010 Storch et al.
D638,089 S * 5/2011 Ding D22/109
D654,552 S * 2/2012 Wu D22/108
D659,221 S * 5/2012 Wu D22/108
D672,839 S * 12/2012 Ding D22/109
8,359,966 B1 * 1/2013 Brotherton F41A 17/36
42/70.02
8,397,421 B2 * 3/2013 Ding F41G 11/003
42/124
D681,767 S * 5/2013 Li D22/108
8,438,773 B2 * 5/2013 Carlson F41G 11/008
42/125
D685,052 S * 6/2013 Mok D22/109
D691,237 S * 10/2013 Beckett D22/109
8,578,647 B2 11/2013 Storch et al.
D699,806 S * 2/2014 Farnlacher D22/108
D706,894 S * 6/2014 Clifton, Jr. D22/108
D741,440 S * 10/2015 Hormann D22/108
D757,199 S * 5/2016 Bender D22/108
9,328,998 B2 5/2016 Volfson
D773,041 S * 11/2016 Lentsch D24/128
2002/0162267 A1 * 11/2002 Nelson F41G 1/35
42/120

2005/0041966 A1 * 2/2005 Johnson F16M 11/041
396/428
2006/0117636 A1 6/2006 Newhall et al.
2006/0207156 A1 9/2006 Larue
2008/0092421 A1 4/2008 Beckmann
2009/0000174 A1 * 1/2009 Davis F41G 11/003
42/90
2010/0162611 A1 * 7/2010 Samson F41G 1/18
42/125
2011/0146128 A1 * 6/2011 Haering F41G 11/003
42/90
2011/0247255 A1 * 10/2011 Ding F41G 11/003
42/90
2012/0167438 A1 * 7/2012 Daniel F41G 11/004
42/90
2013/0055610 A1 3/2013 Watkins
2013/0055614 A1 3/2013 Finnegan et al.
2013/0318849 A1 * 12/2013 Kincel F41G 11/005
42/90
2014/0196348 A1 * 7/2014 Samson F41C 27/00
42/90
2015/0260482 A1 9/2015 Volfson
2015/0362291 A1 * 12/2015 Samson F41G 11/004
42/90
2017/0160026 A1 * 6/2017 Walther F41A 3/66
2018/0080485 A1 * 3/2018 Wang F16B 2/185
2018/0092234 A1 * 3/2018 Wang H05K 7/1409

OTHER PUBLICATIONS

Quick release lever seat post, Lelong.com.my, [online], [site visited Apr. 4, 2018]. <URL: <https://www.lelong.com.my/quick-release-lever-seat-post-7cm-aluminum-tide-bicycle-mtb-road-bike-neo123-12116082-2007-01-Sale-1.htm>> (Year: 2018).*

Slik 88 quick release post lock lever Tripod accessory, PhotographyAttic.com, [online], [site visited Apr. 4, 2018]. <URL: <http://www.photographyattic.com/product-2622>> (Year: 2018).*

American Defense Recon Quick-Release Extended Scope Mount, MidwayUSA, [online], [site visited Apr. 4, 2018]. <URL: <https://www.midwayusa.com/product/2626483310/american-defense-recon-quick-release-extended-scope-mount-picatinny-style-with-rings-ar-15-flat-top-matte>> (Year: 2018).*

NcSTAR MARFQV2 Quick Release Picatinny 0.75" Riser Gen 2, Ebay.com, [online], [site visited Apr. 4, 2018]. <URL: <https://www.ebay.com/p/NcSTAR-MARFQV2-Quick-Release-Picatinny-0-75-Riser-Gen-2/2254464253>> (Year: 2018).*

AD-RECON Scope Mount, AmericanDefenseManufacturing.com, [online], [site visited Apr. 4, 2018]. <URL: <https://www.americandefensemanufacturing.com/view/product/5/>> (Year: 2018).*

* cited by examiner

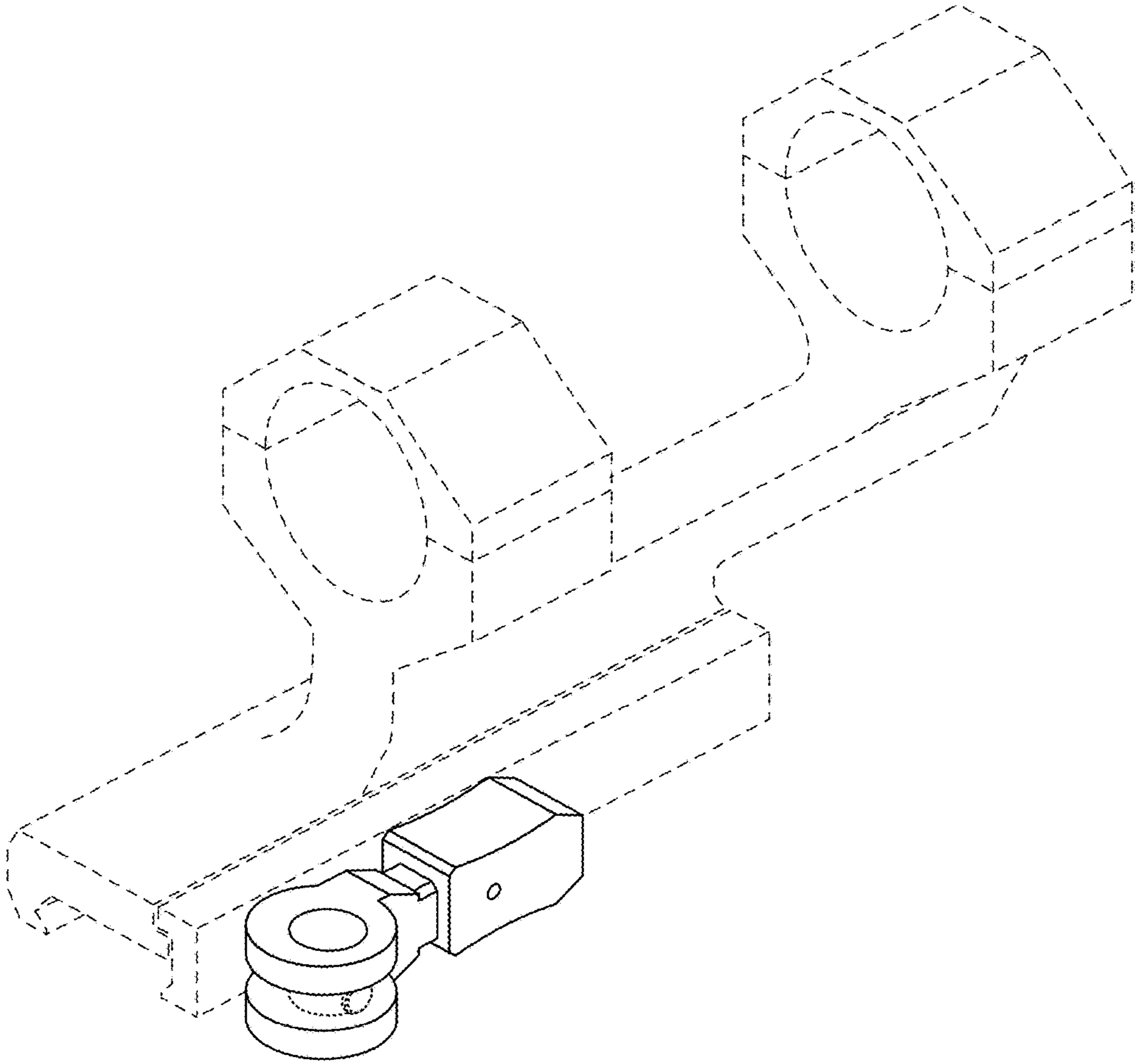


Fig. 1

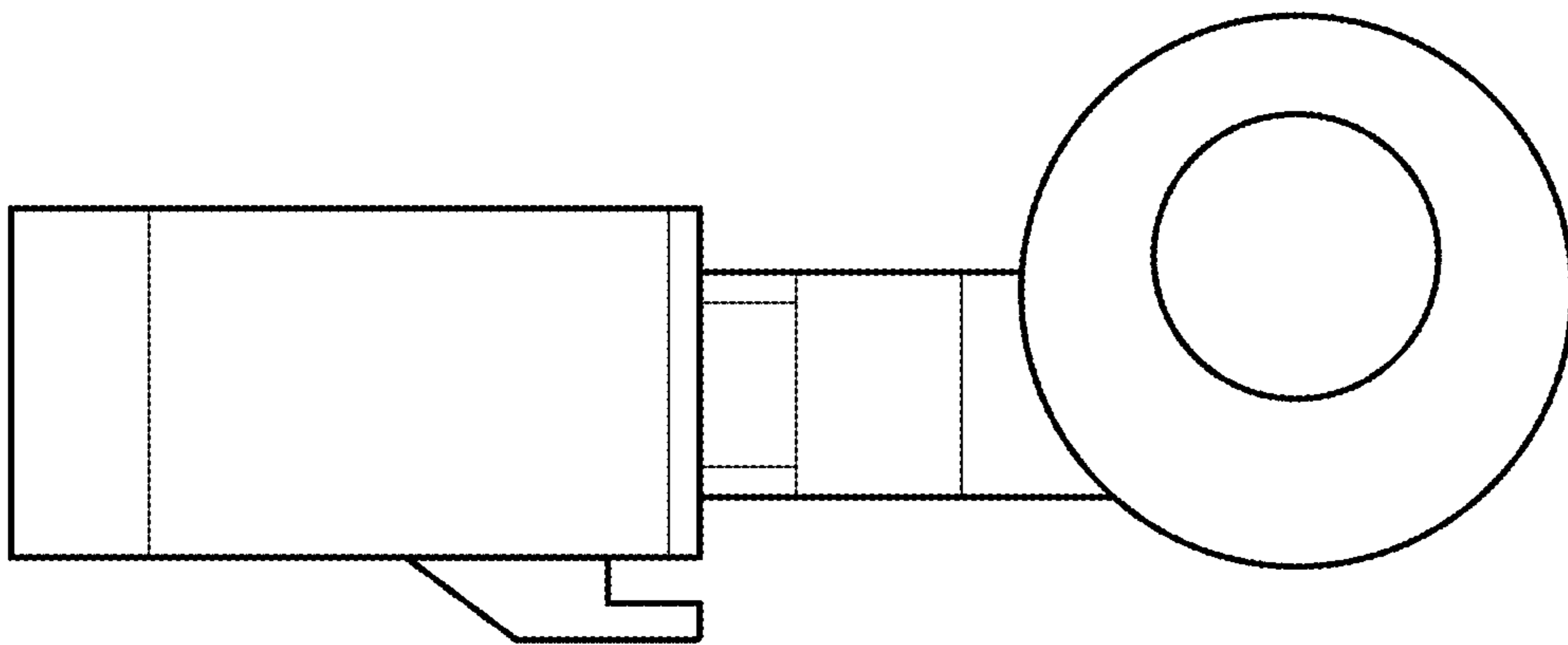


Fig. 2

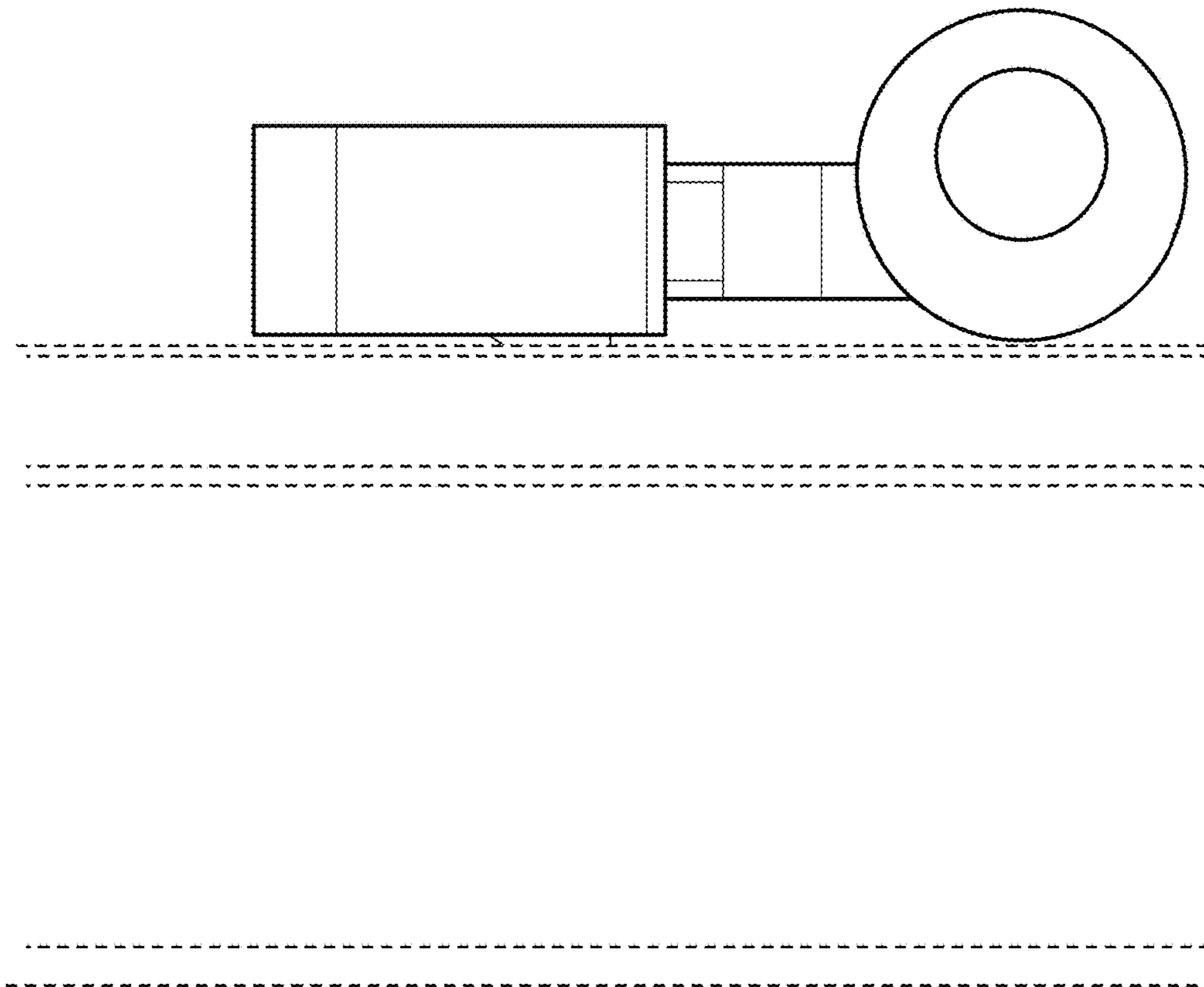


Fig. 3

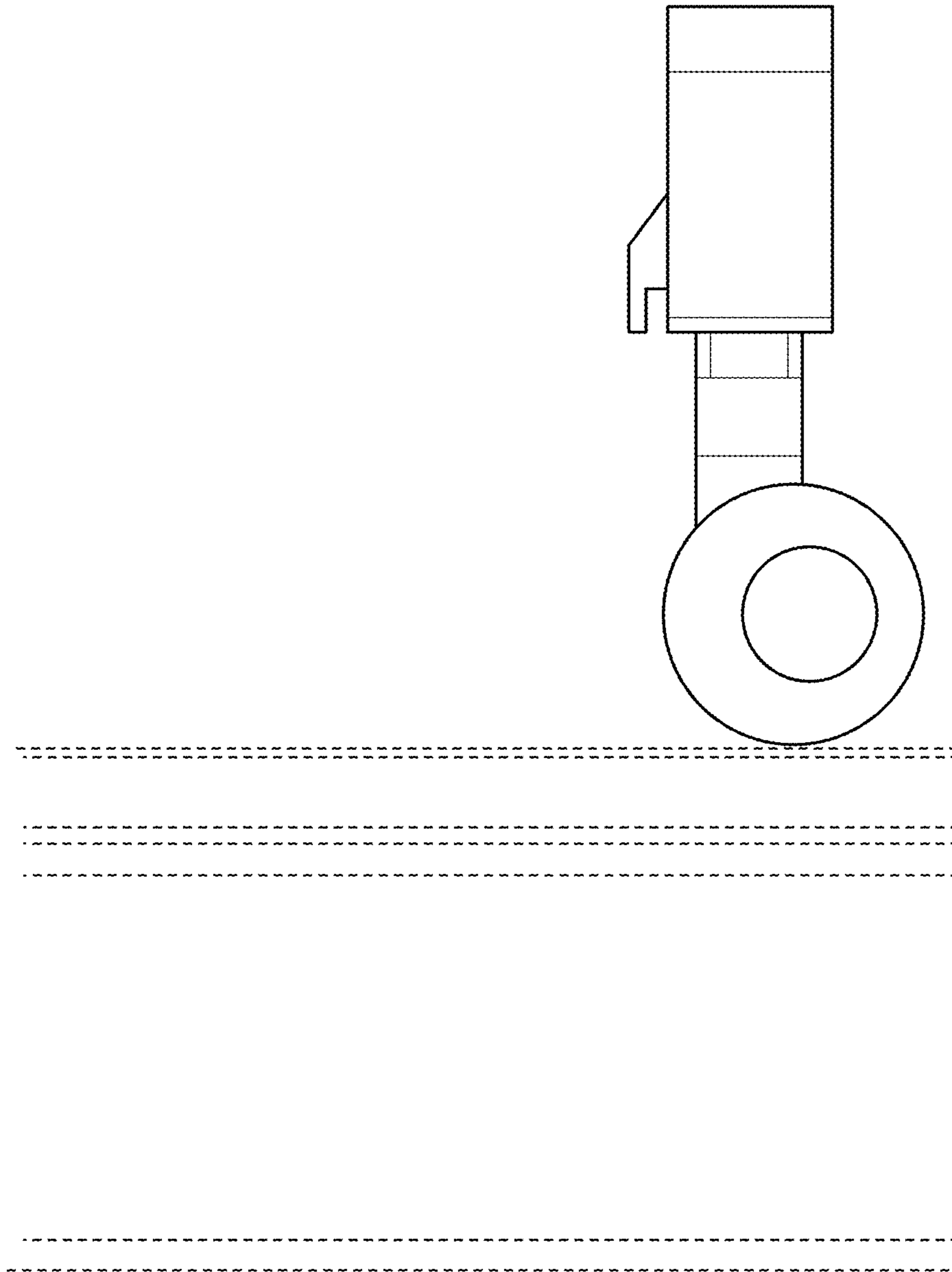


Fig. 4

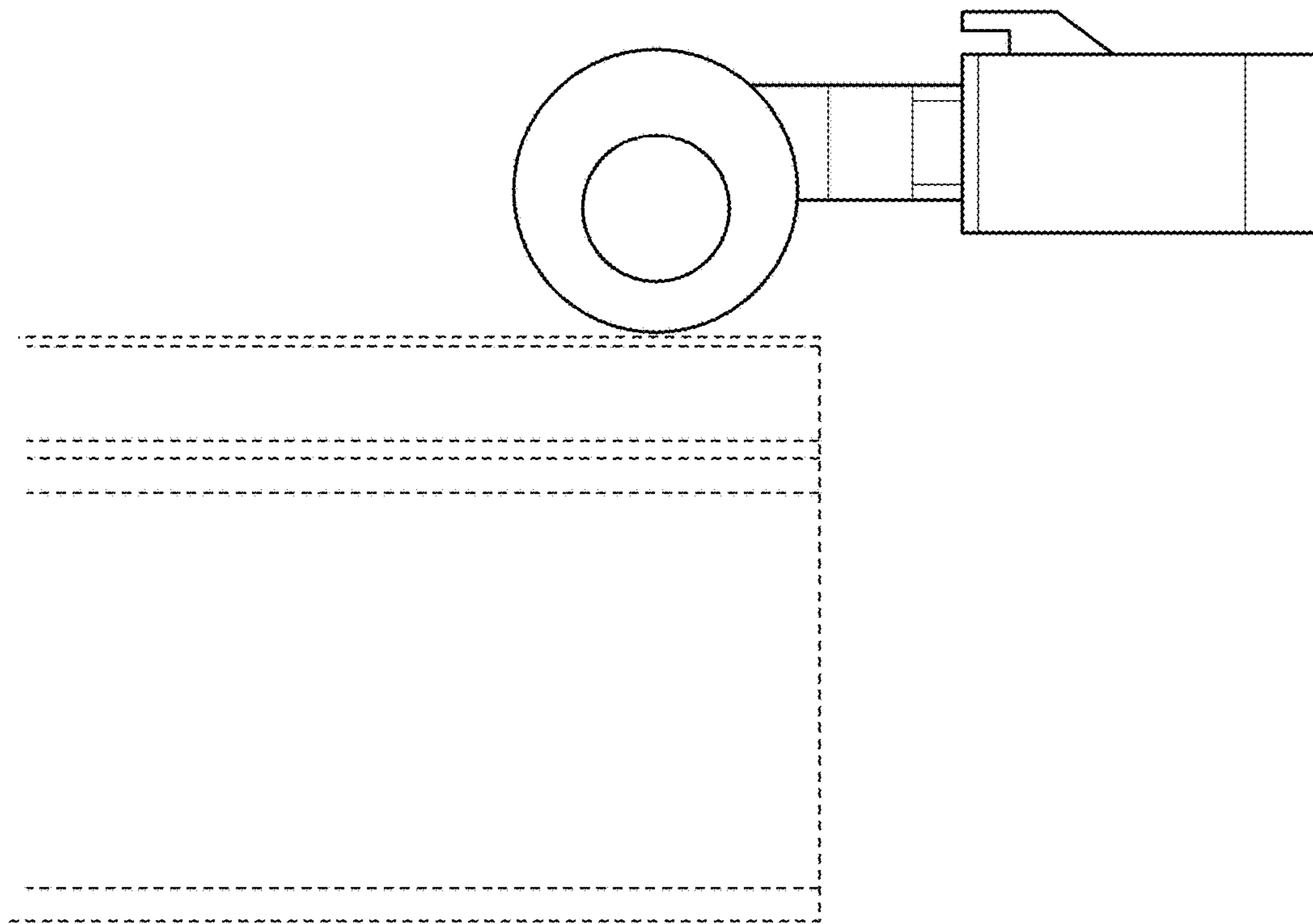


Fig. 5

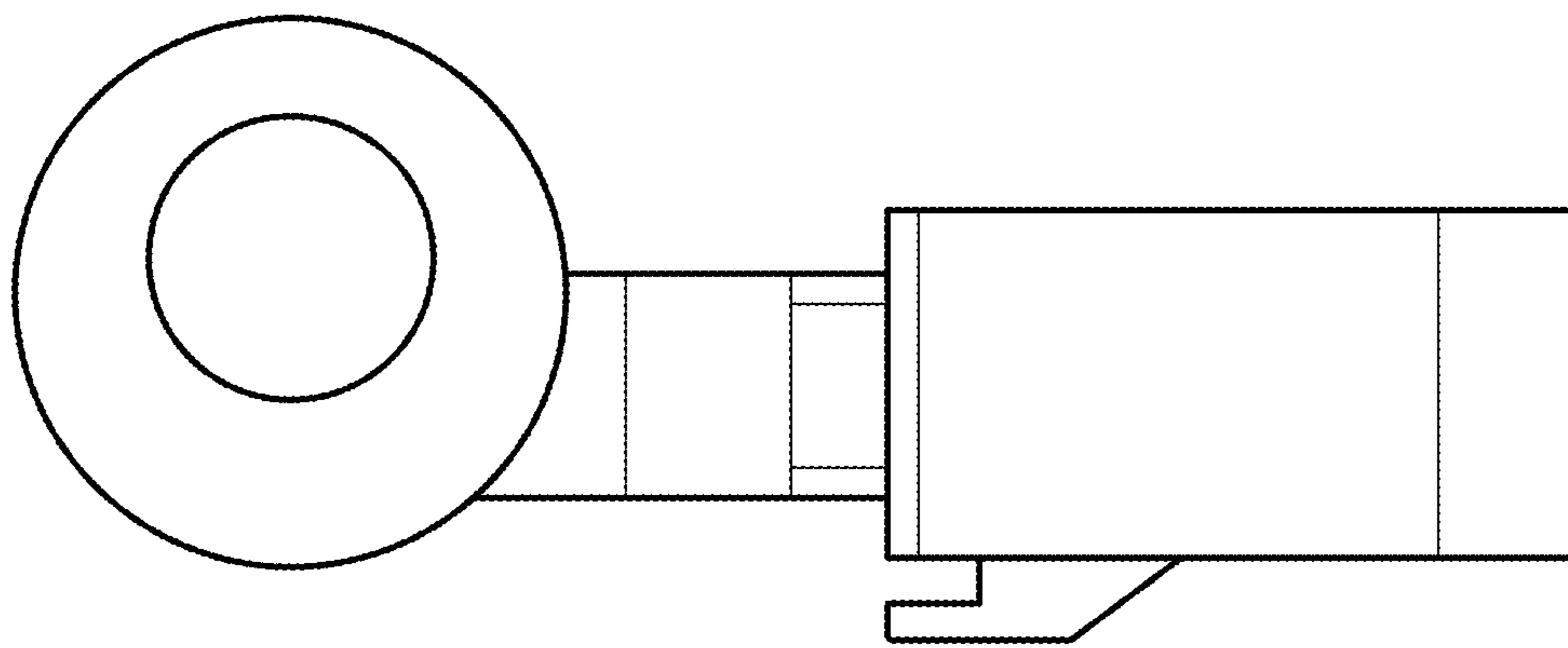


Fig. 6

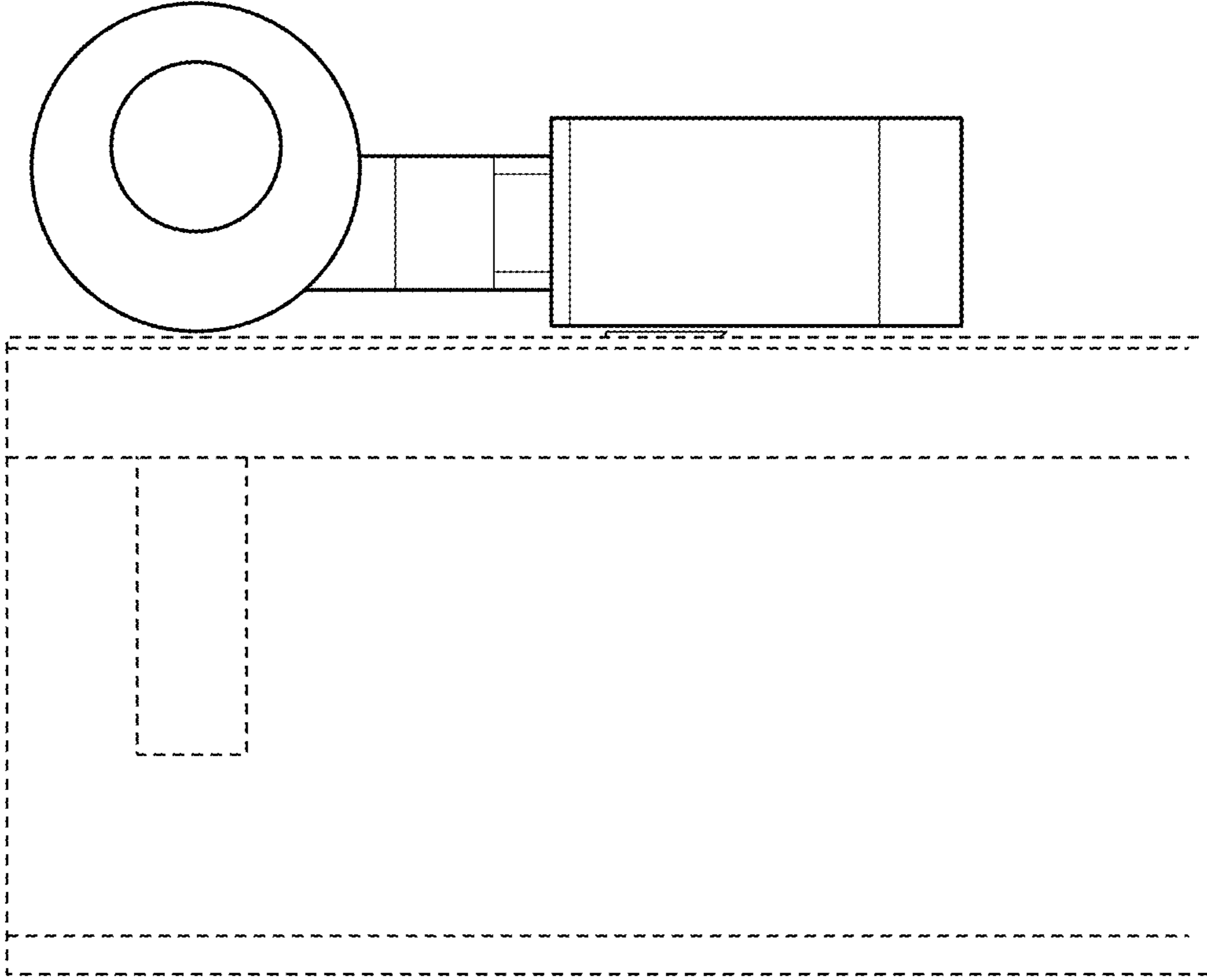


Fig. 7

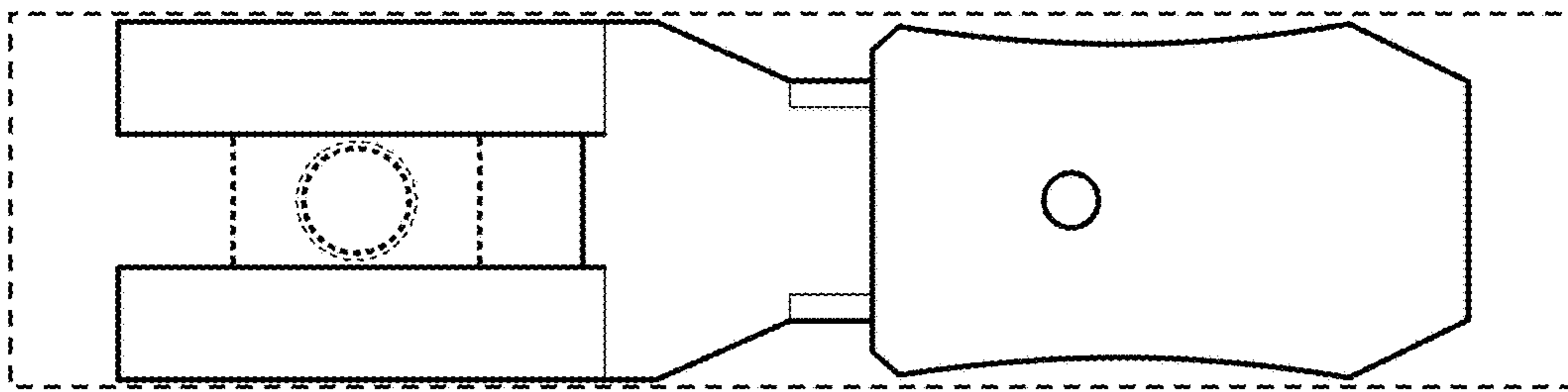


Fig. 8

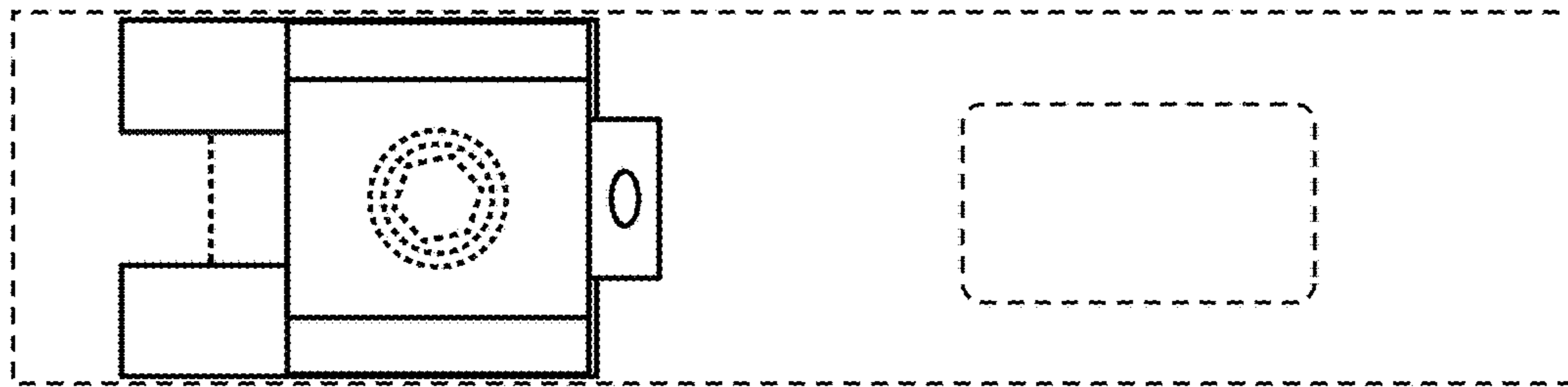


Fig. 9

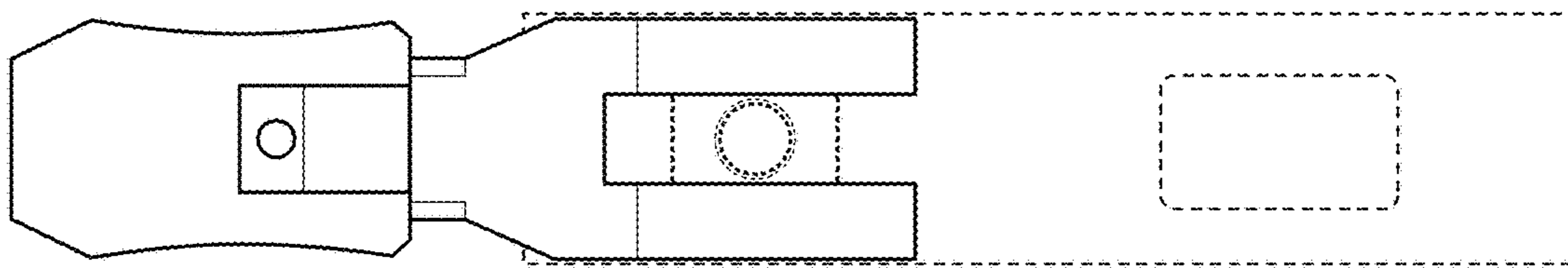


Fig. 10

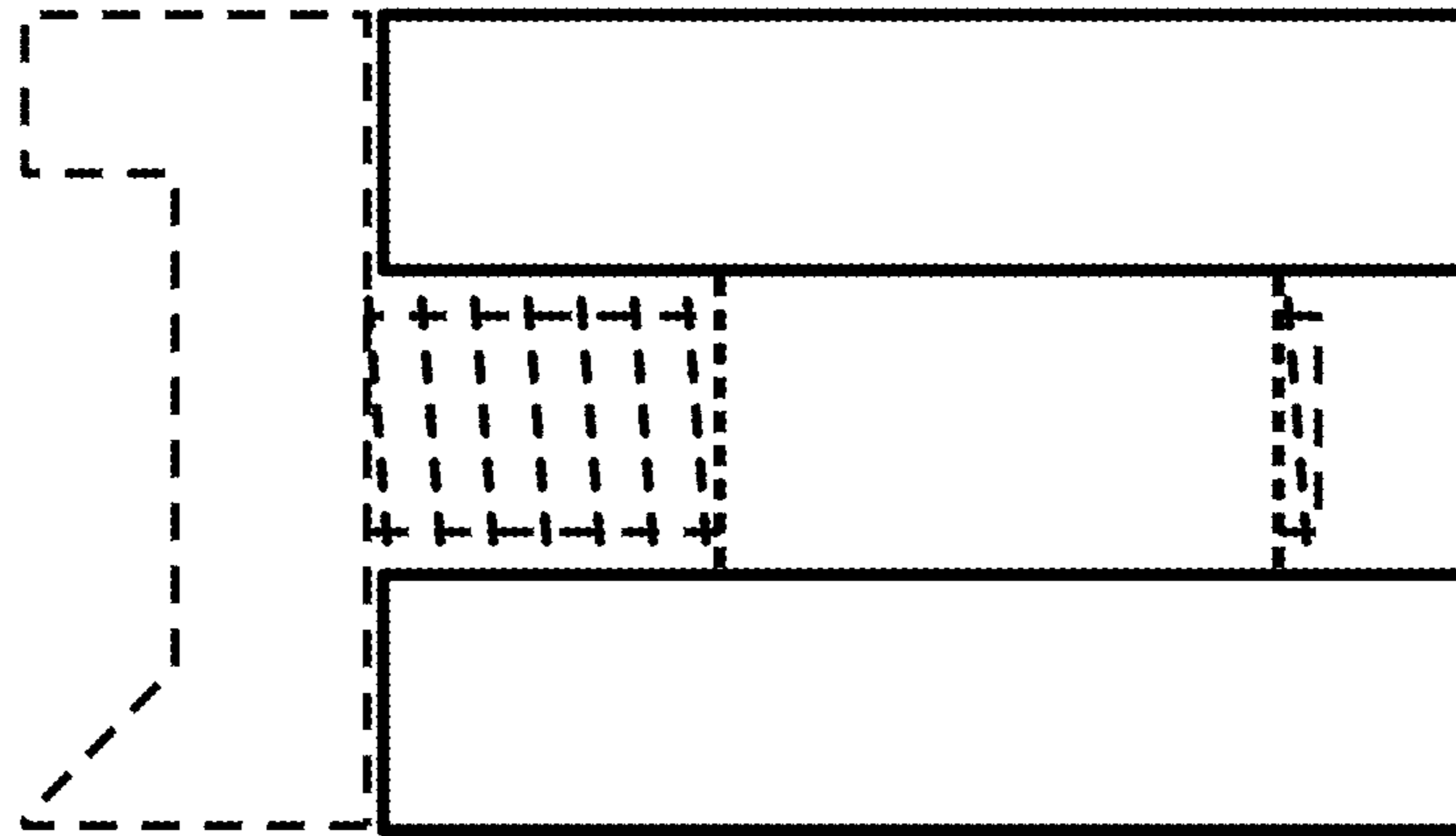


Fig. 11

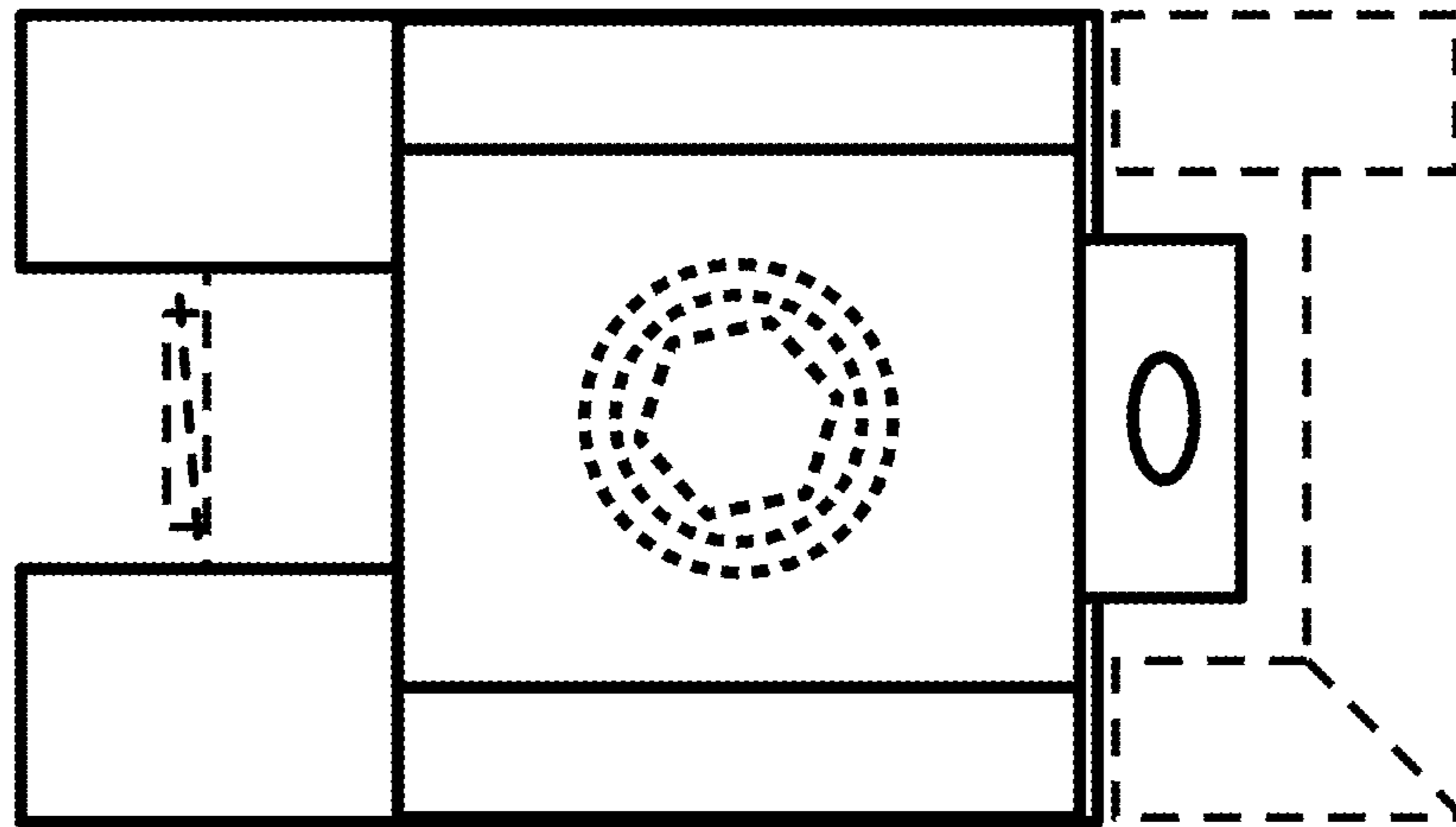


Fig. 12

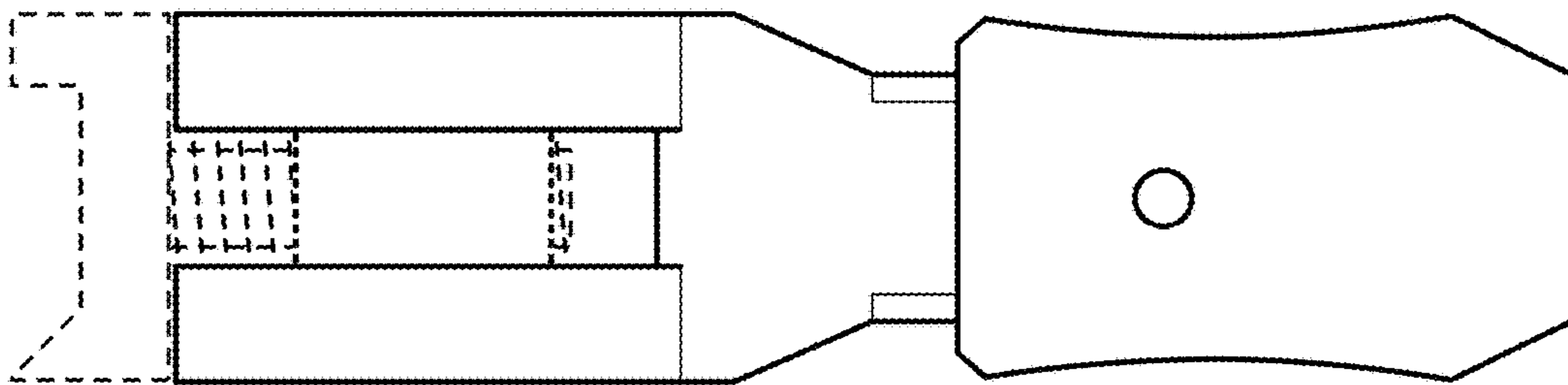


Fig. 13

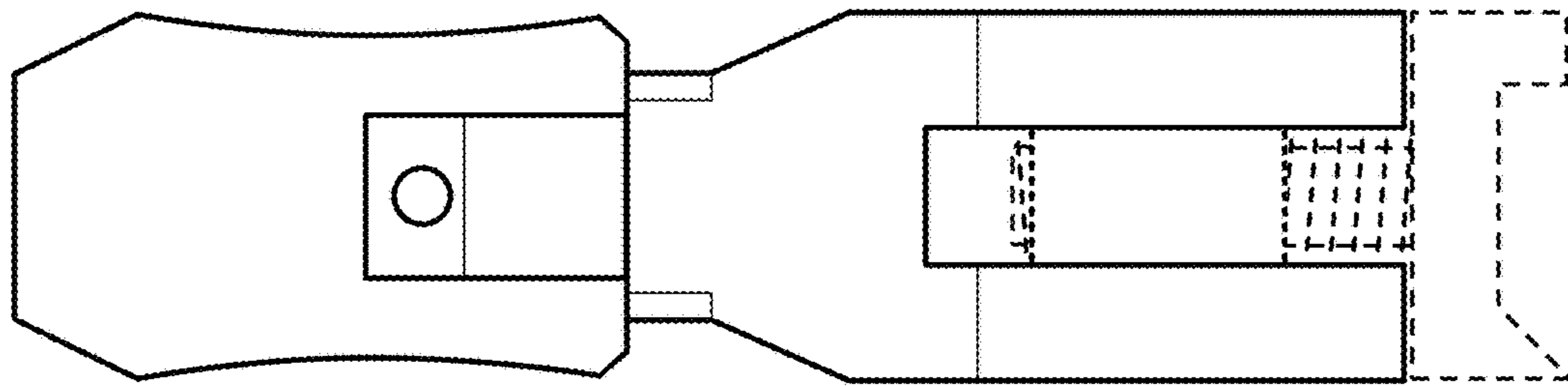


Fig. 14