



US00D837326S

(12) **United States Design Patent** (10) **Patent No.:** **US D837,326 S**  
**Chin** (45) **Date of Patent:** **\*\* Jan. 1, 2019**

- (54) **BABY BOAT WITH CANOPY**
- (71) Applicant: **Aqua-Leisure Industries, Inc.**, Avon, MA (US)
- (72) Inventor: **Dorothy Chin**, Smithfield, RI (US)
- (73) Assignee: **Aqua-Leisure Industries, Inc.**, Avon, MA (US)

7,048,333	B2	5/2006	Martinez	
D530,772	S *	10/2006	Peterson	D21/803
D532,075	S *	11/2006	Turner	D22/199
D538,876	S *	3/2007	Peterson	D21/803
D538,877	S *	3/2007	Peterson	D21/803
D551,731	S *	9/2007	Peterson	D21/803
D554,222	S *	10/2007	Peterson	D21/803
7,314,399	B2 *	1/2008	Turner	A47C 15/006 441/129

(Continued)

(\*\*) Term: **15 Years**

**OTHER PUBLICATIONS**

(21) Appl. No.: **29/592,323**

<https://www.amazon.com/dp/B00YFQW17K>—Product review date as early as Jun. 28, 2015.\*

(22) Filed: **Jan. 30, 2017**

(Continued)

(51) **LOC (11) Cl.** ..... **29-02**

(52) **U.S. Cl.**  
USPC ..... **D21/804**

(58) **Field of Classification Search**  
USPC ..... D21/769, 770, 801, 803, 804, 805, 806,  
D21/807, 808, 809; D12/5, 6, 316;  
D6/392, 395, 596, 601, 604, 605  
CPC ..... B63B 35/79; B63B 35/73; B63B 1/00;  
B63B 35/76

See application file for complete search history.

*Primary Examiner* — Manpreet S Matharu  
*Assistant Examiner* — Mojtaba Tehrani  
(74) *Attorney, Agent, or Firm* — Wolf, Greenfield & Sacks, P.C.

(57) **CLAIM**

The ornamental design for a baby boat with canopy, as shown and described.

**DESCRIPTION**

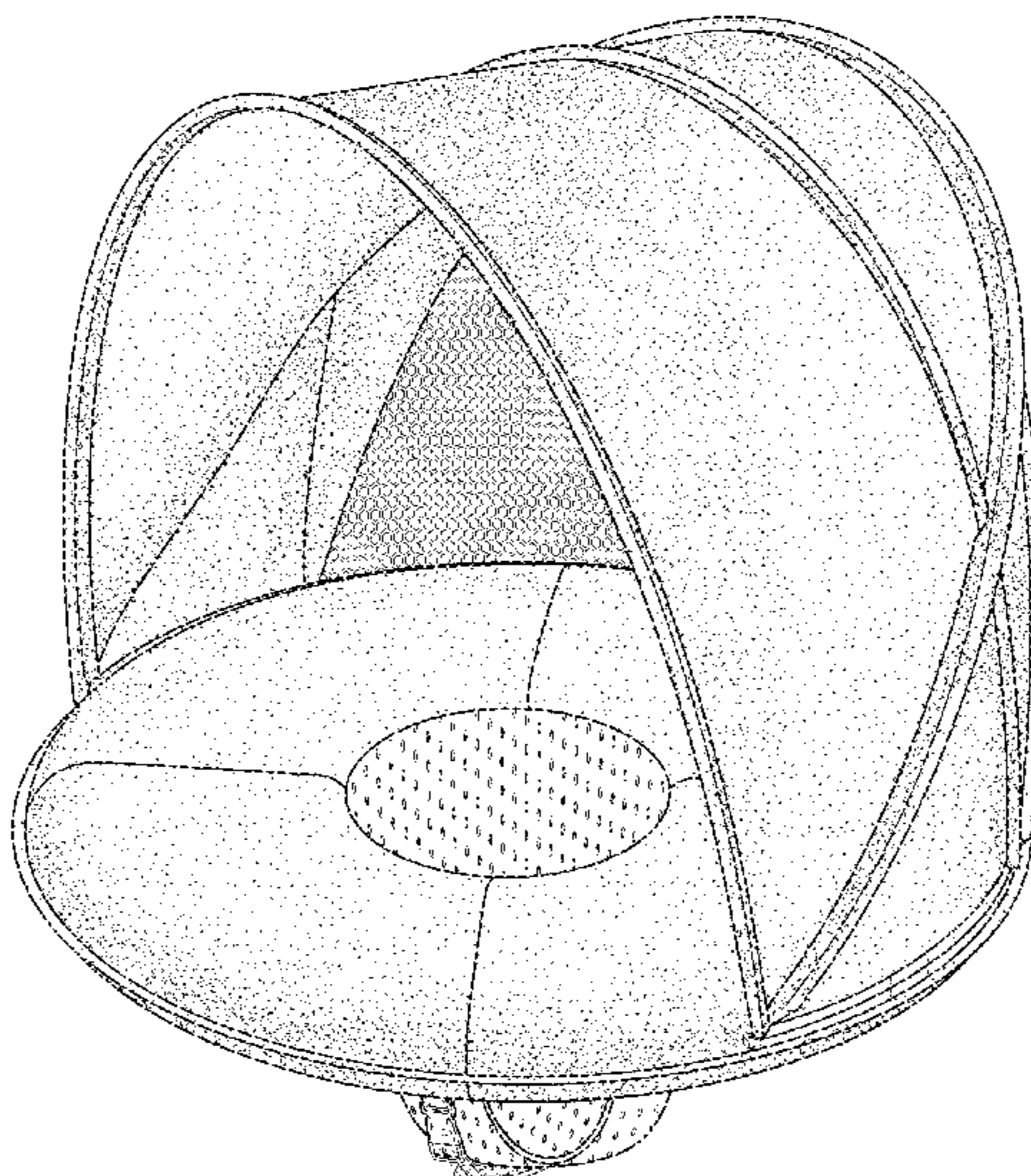
(56) **References Cited**

U.S. PATENT DOCUMENTS

D230,454	S *	2/1974	Thompson	D21/803
4,799,910	A *	1/1989	Kellough	A47C 15/006 441/130
D315,592	S *	3/1991	Tager	D21/803
D316,586	S *	4/1991	Tager	D21/803
5,231,951	A *	8/1993	Tagar	B63B 35/76 114/345
D367,910	S *	3/1996	Roberts	D21/804
5,718,612	A *	2/1998	Elsholz	B63B 17/02 114/351
D409,971	S *	5/1999	Elsholz	D12/316
D476,712	S *	7/2003	Peterson	D21/803
6,881,114	B2	4/2005	Zheng	
D506,239	S *	6/2005	Peterson	D21/803

FIG. 1 is a perspective view of a baby boat with canopy in accordance with my new design.  
FIG. 2 is an elevational view of the front side thereof.  
FIG. 3 is an elevational view of the right side thereof.  
FIG. 4 is an elevational view of the rear thereof.  
FIG. 5 is an elevational view of the left side thereof.  
FIG. 6 is a top plan view thereof.  
FIG. 7 is a bottom plan view thereof; and,  
FIG. 8 is another perspective view of the baby boat with canopy in accordance with my new design.  
The broken lines depicting a child in FIG. 1 represent environmental subject matter and form no part of the claimed design.

**1 Claim, 6 Drawing Sheets**



(56)

**References Cited**

U.S. PATENT DOCUMENTS

D632,354 S \* 2/2011 Perry ..... D21/803  
D697,336 S \* 1/2014 Perry ..... D21/803

OTHER PUBLICATIONS

<https://www.amazon.com/dp/B01ASSZ1JS>—Product review date  
as early as Aug. 12, 2014.\*

\* cited by examiner

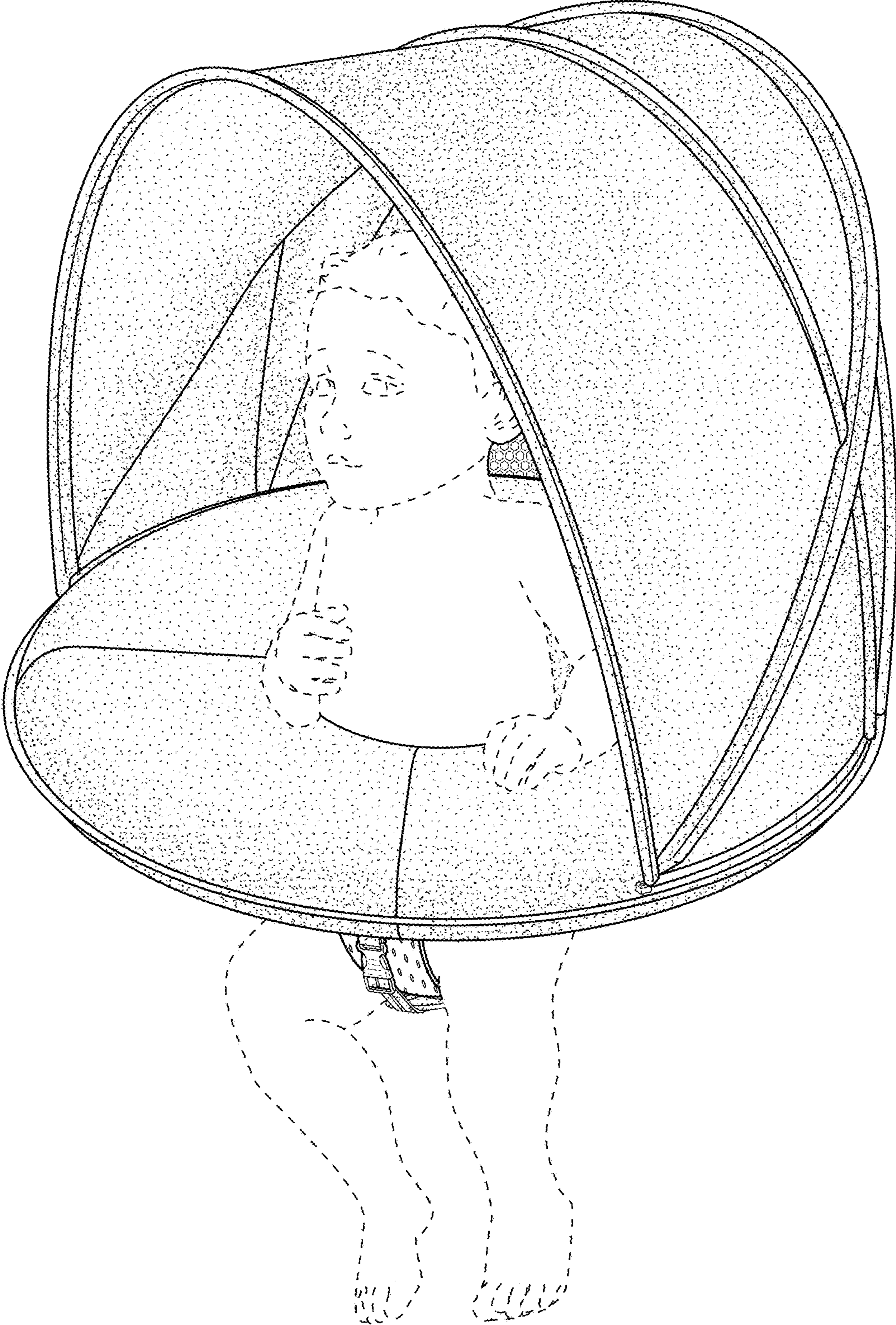


FIG. 1

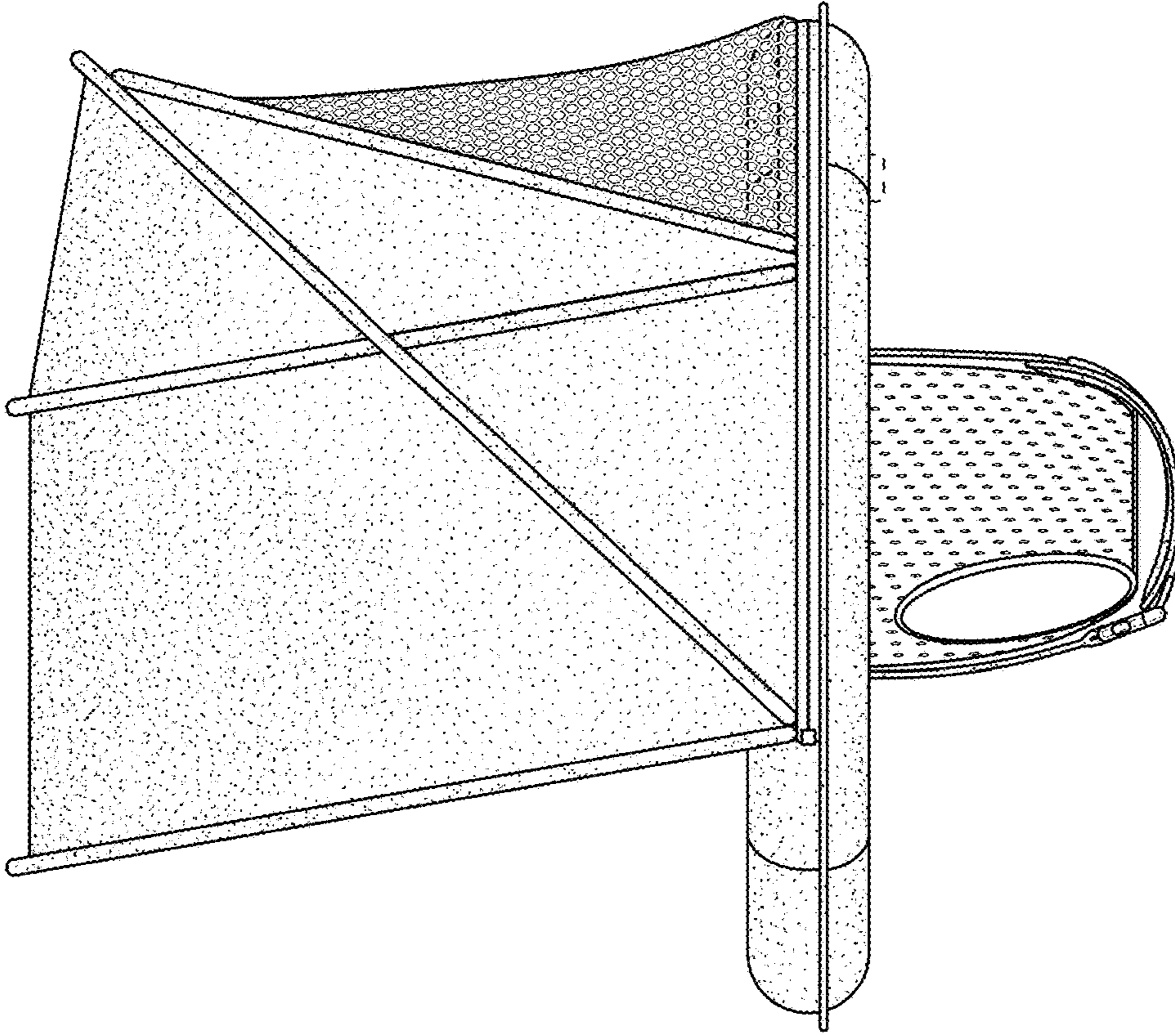


FIG. 2

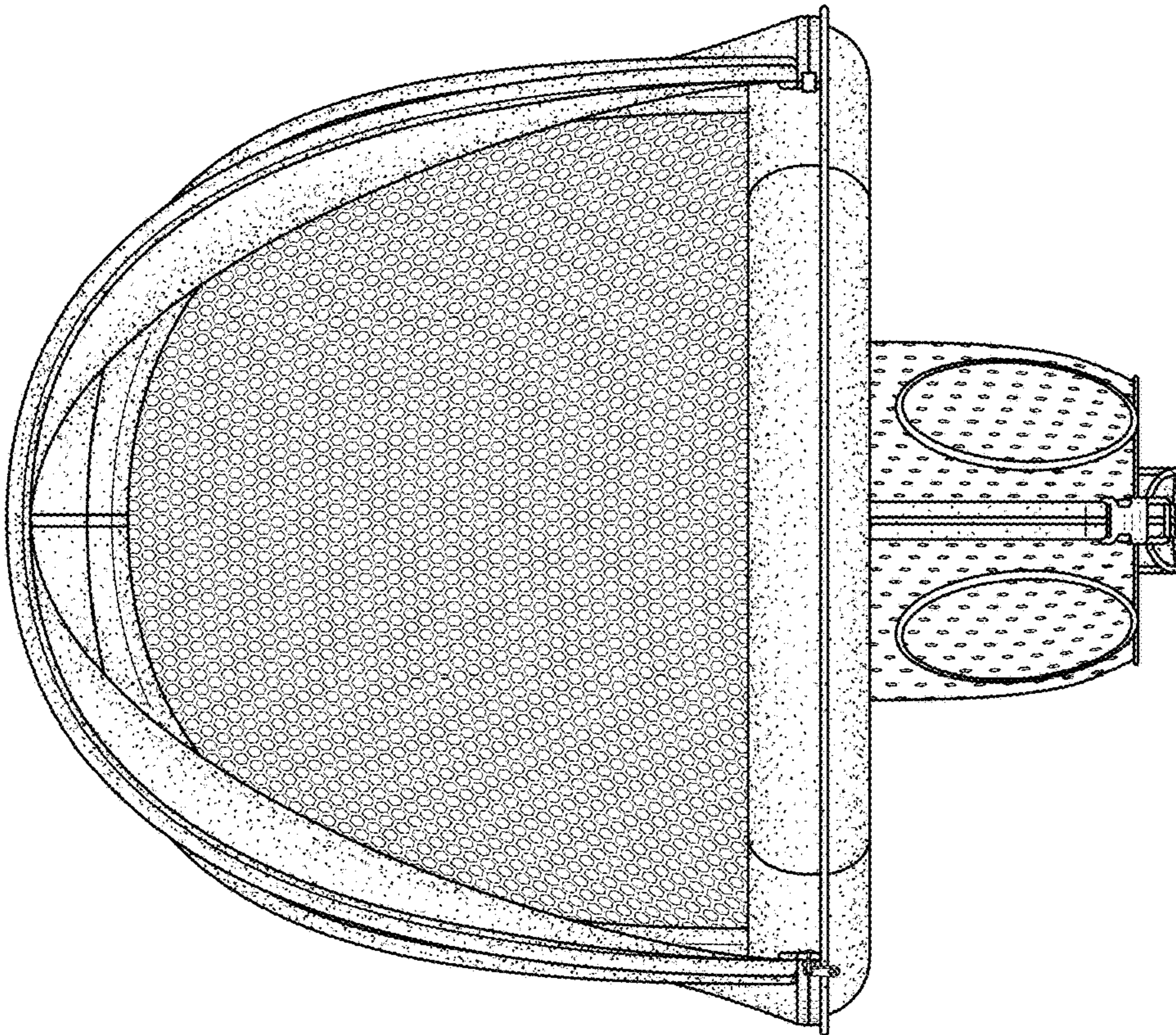


FIG. 3

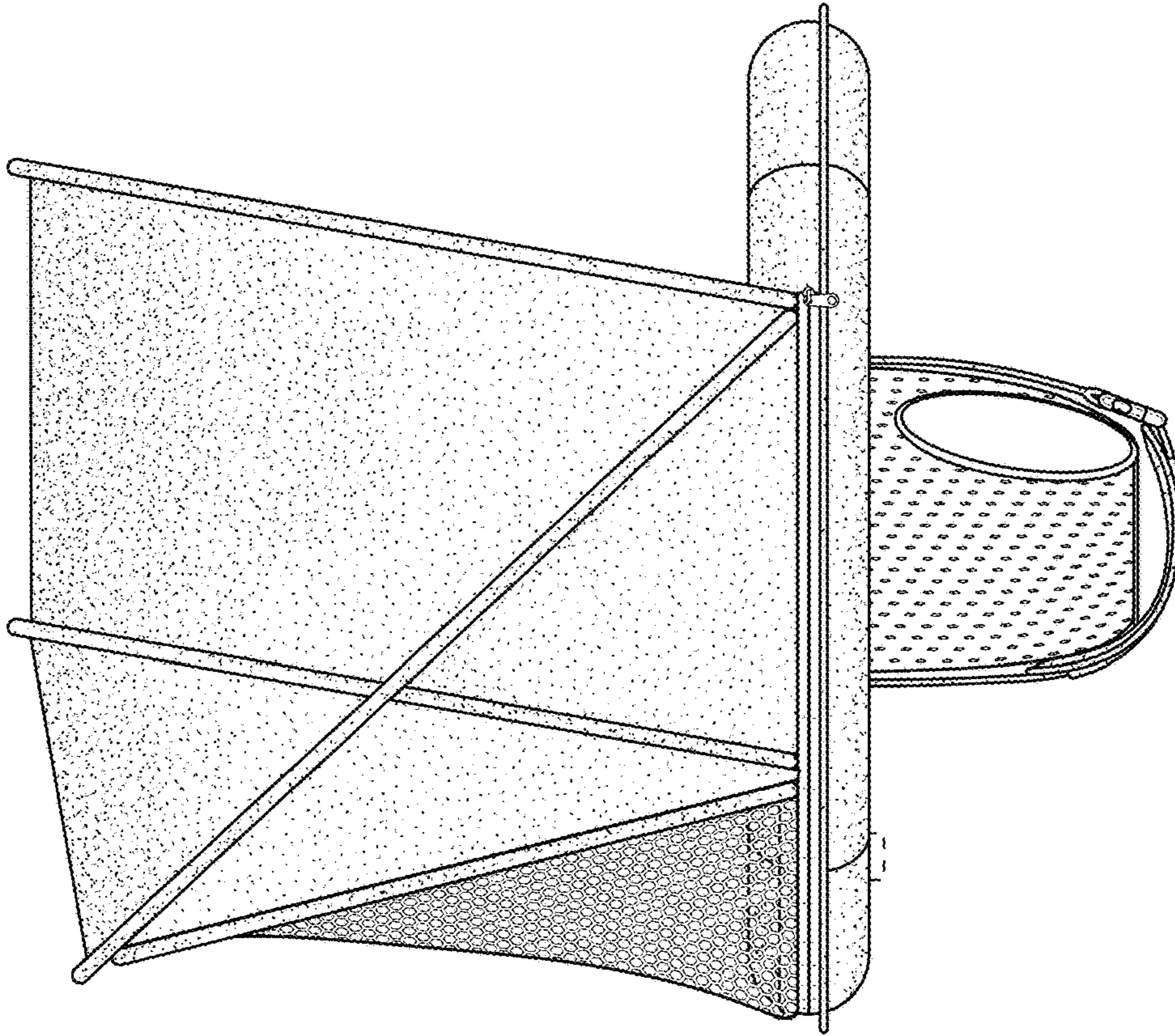


FIG. 4

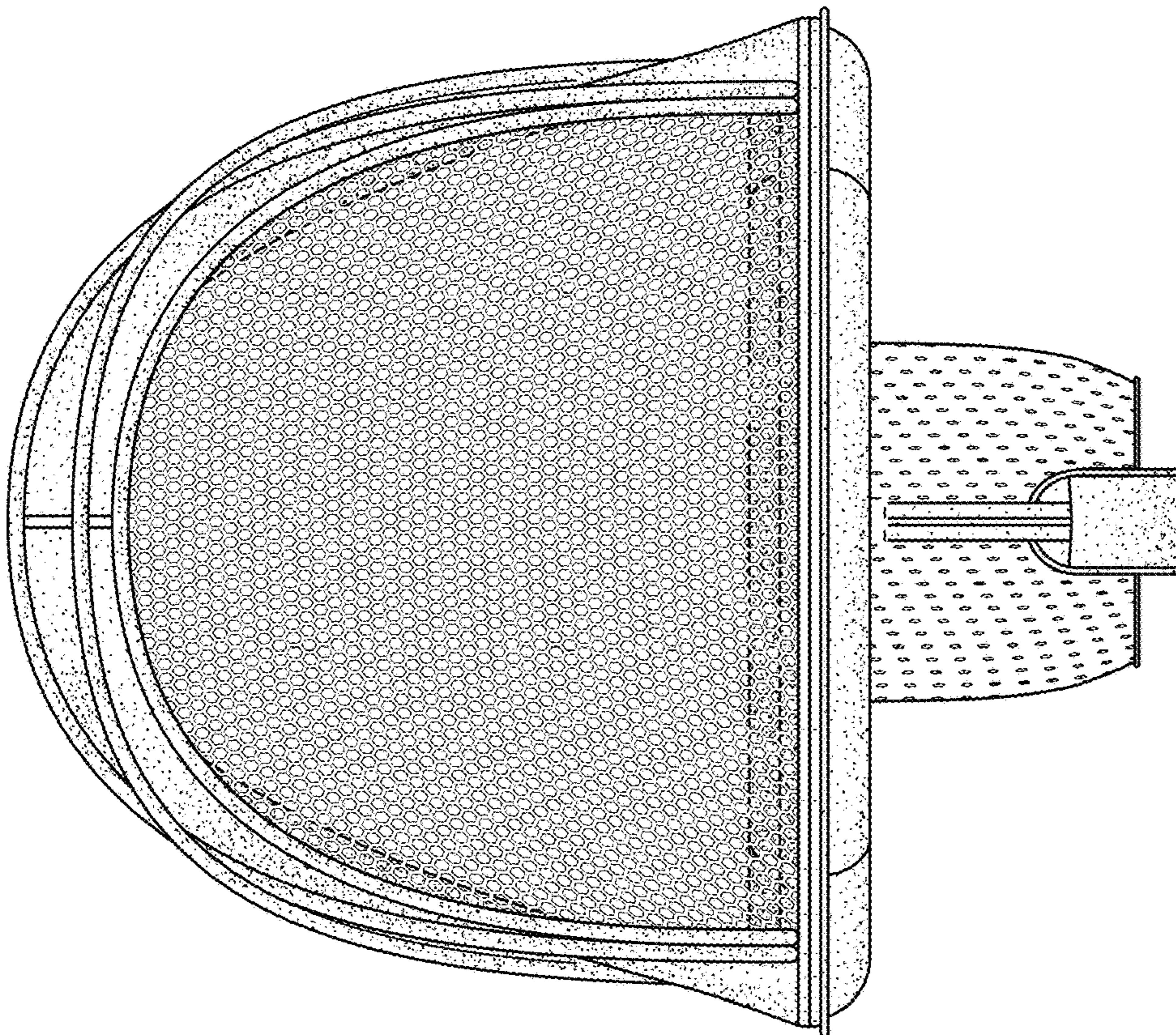


FIG. 5

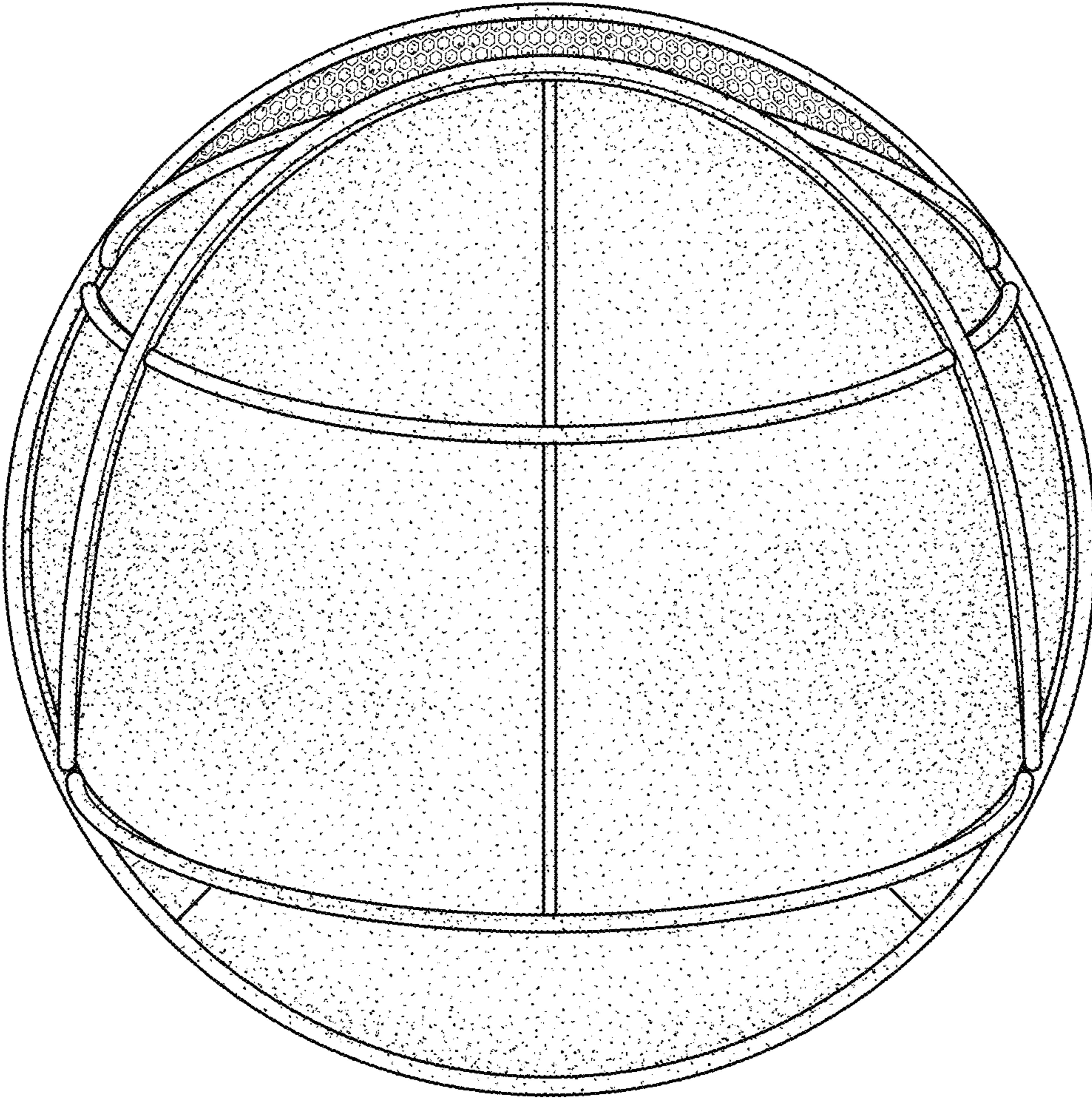


FIG. 6

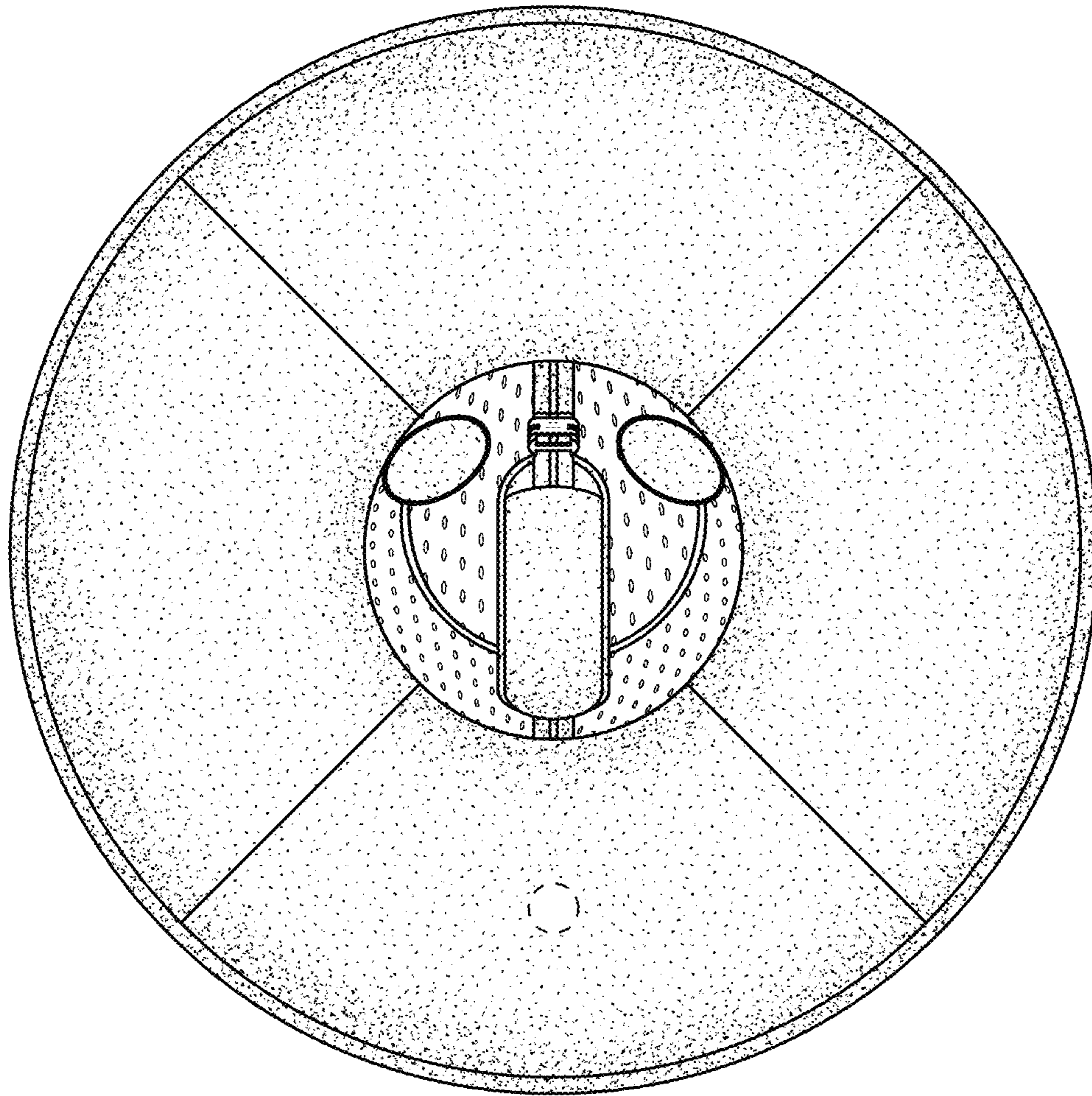


FIG. 7

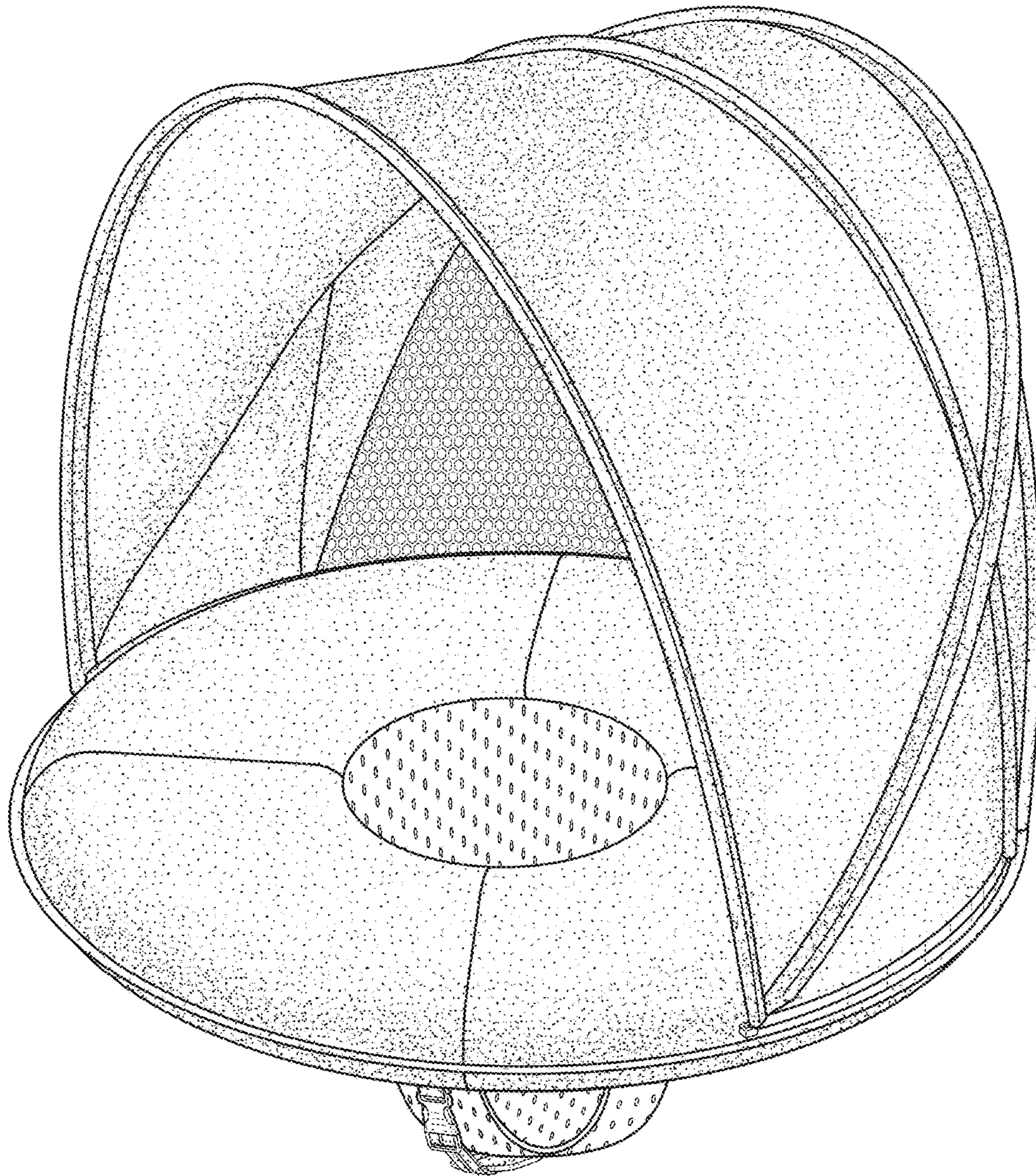


FIG. 8