



US00D837324S

(12) **United States Design Patent**
Preston

(10) **Patent No.:** **US D837,324 S**
(45) **Date of Patent:** **** Jan. 1, 2019**

(54) **FREE-STANDING BATTING PRACTICE APPARATUS**
(71) Applicant: **George Preston**, San Dimas, CA (US)
(72) Inventor: **George Preston**, San Dimas, CA (US)
(**) Term: **15 Years**
(21) Appl. No.: **29/628,976**
(22) Filed: **Dec. 8, 2017**
(51) **LOC (11) Cl.** **21-02**
(52) **U.S. Cl.**
USPC **D21/780**; D21/698; D21/717
(58) **Field of Classification Search**
USPC D21/698, 699, 706, 715, 717, 719, 780,
D21/789-796; 473/417-420, 423-430,
473/451-456
CPC . A63B 69/00; A63B 69/0013; A63B 69/0015;
A63B 69/0073; A63B 69/0075; A63B
69/0079; A63B 69/0084; A63B 69/0091;
A63B 2069/0004; A63B 2069/0006;
A63B 2069/0008; A63B 71/02; A63B
71/028
See application file for complete search history.

(56) **References Cited**

U.S. PATENT DOCUMENTS

2,929,632 A * 3/1960 Moffatt A63B 69/0079
473/143
4,322,075 A * 3/1982 Hynes A63B 69/0084
473/430
4,647,042 A * 3/1987 Bruce A63B 69/0079
473/430
D297,659 S * 9/1988 Chinchiole D21/719
4,828,262 A * 5/1989 Henley A63B 69/0079
16/DIG. 12
4,966,367 A * 10/1990 Oyarzabal A63B 69/0084
473/426

5,056,781 A * 10/1991 Preston A63B 69/0079
473/423
D339,393 S * 9/1993 Allen D21/780
5,255,911 A * 10/1993 Preston A63B 69/0079
473/423
5,386,987 A * 2/1995 Rodino, Jr. A63B 69/0075
473/417
5,467,978 A * 11/1995 Paluch A63B 69/0079
473/429
D366,679 S * 1/1996 Clements D21/719
5,540,430 A * 7/1996 Nichols A63B 69/0002
473/417
D373,396 S * 9/1996 Malwitz D21/780
5,842,938 A * 12/1998 Garber A63B 43/007
473/430
5,865,683 A * 2/1999 Yang A63B 69/0091
473/139
D433,723 S * 11/2000 Hynes D21/719
6,146,289 A * 11/2000 Miller A63B 69/0075
473/417
6,514,161 B1 * 2/2003 Minniear A63B 69/0002
473/423
D486,197 S * 2/2004 Marshall D21/780

(Continued)

Primary Examiner — Catherine A Tuttle
(74) *Attorney, Agent, or Firm* — Cionca IP Law, P.C.;
Marin Cionca

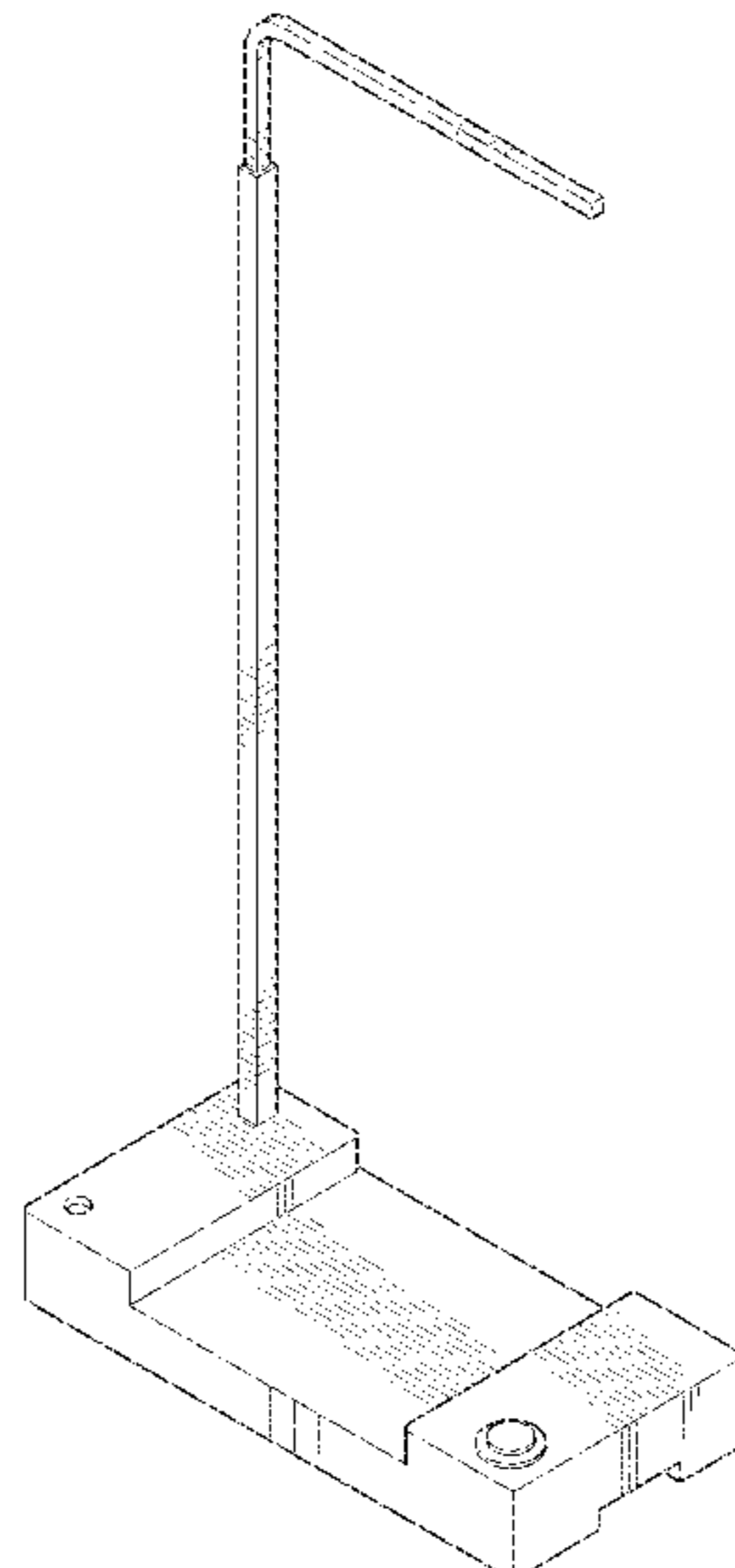
(57) **CLAIM**

The ornamental design for a free-standing batting practice apparatus, as shown and described.

DESCRIPTION

FIG. 1 is a front perspective view of a free-standing batting practice apparatus showing the new design; FIG. 2 is a front elevation view thereof; FIG. 3 is a back elevation view thereof; FIG. 4 is a left side elevation view thereof; FIG. 5 is a right side elevation view thereof; FIG. 6 is a top plan view thereof; and, FIG. 7 is bottom plan view thereof.

1 Claim, 7 Drawing Sheets



(56)

References Cited

U.S. PATENT DOCUMENTS

D486,544 S *	2/2004	Featherston	D21/719
D513,422 S *	1/2006	Cottrell	D21/719
2012/0172153 A1 *	7/2012	Newman	A63B 69/0075 473/417
2014/0121039 A1 *	5/2014	Robinson	A63B 69/0079 473/423

* cited by examiner

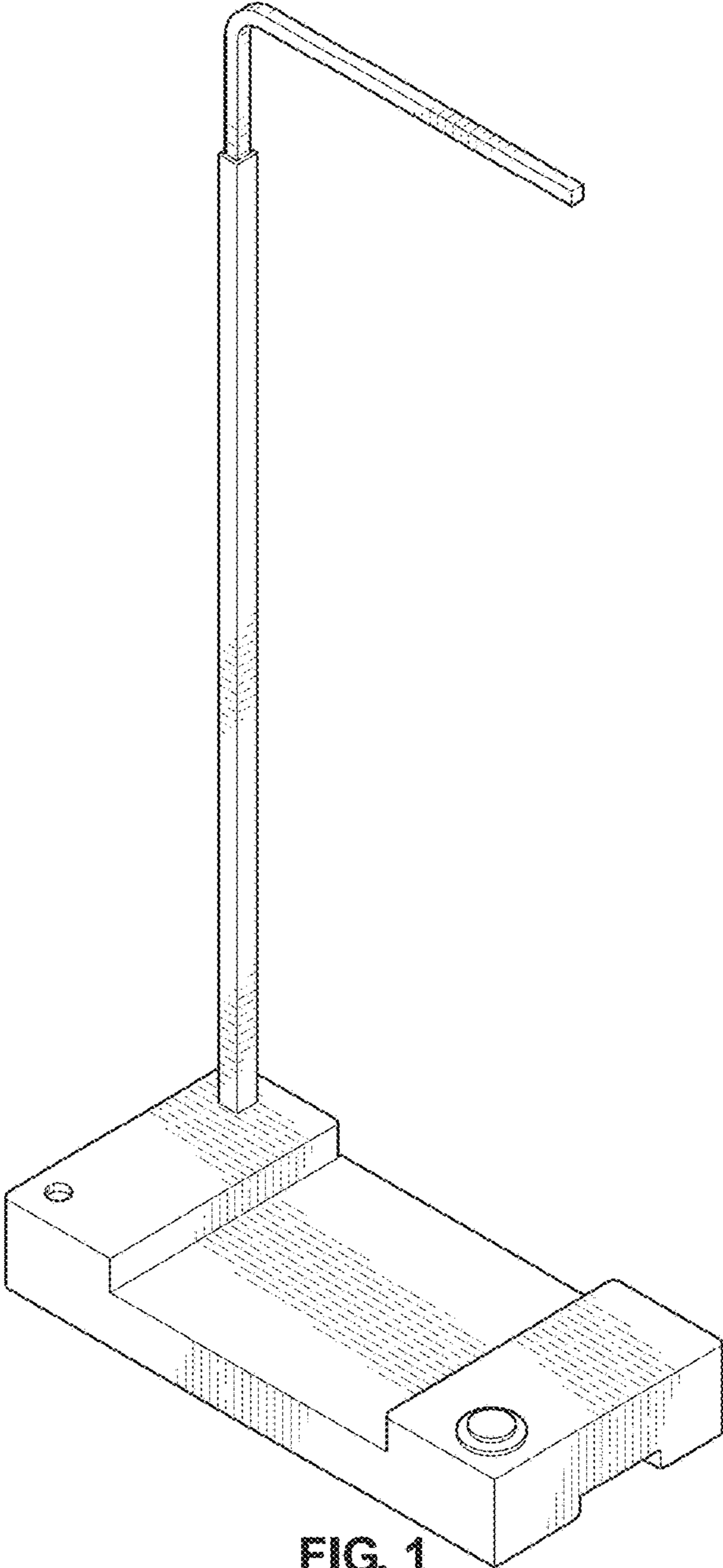


FIG. 1

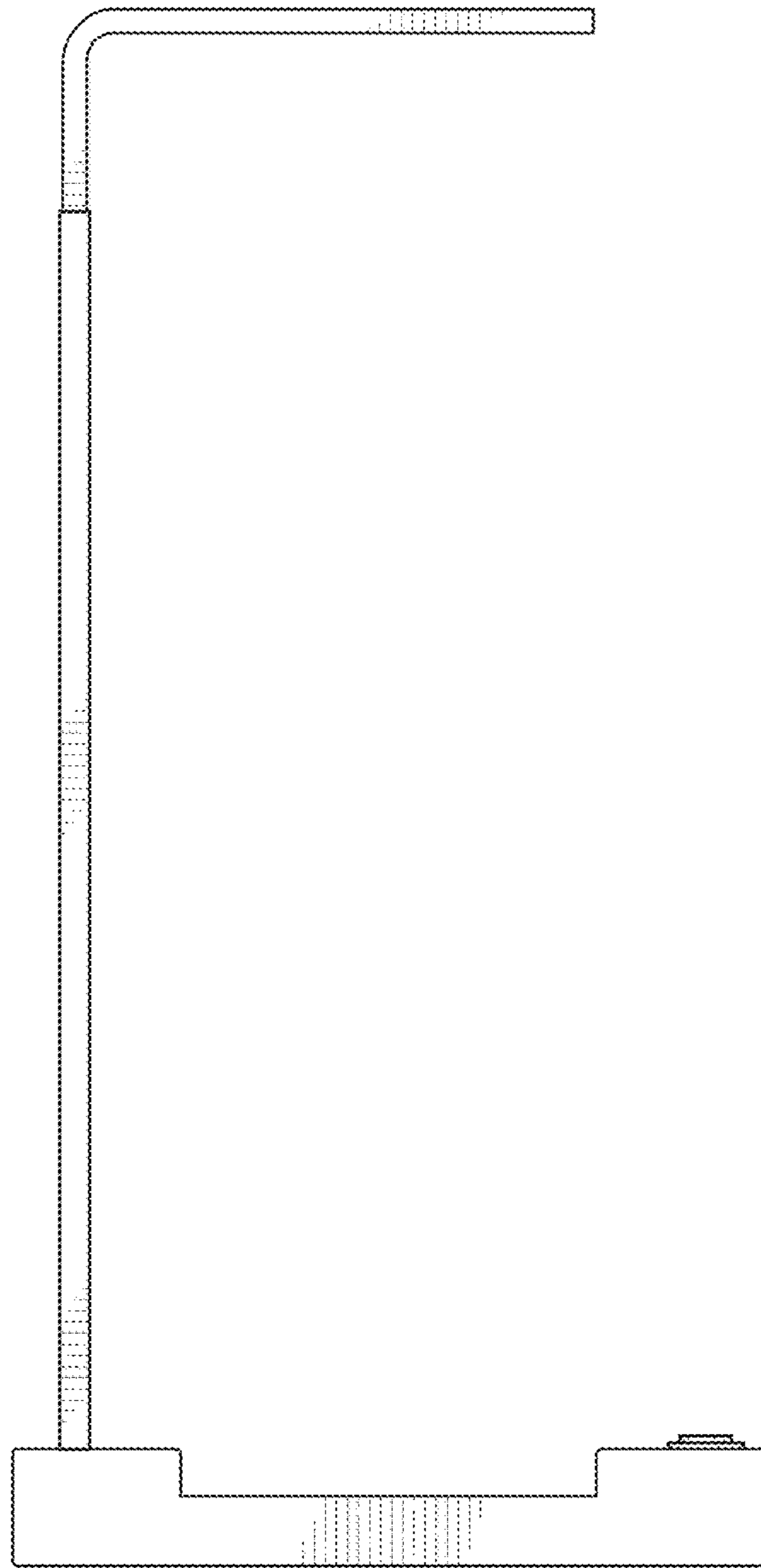


FIG. 2

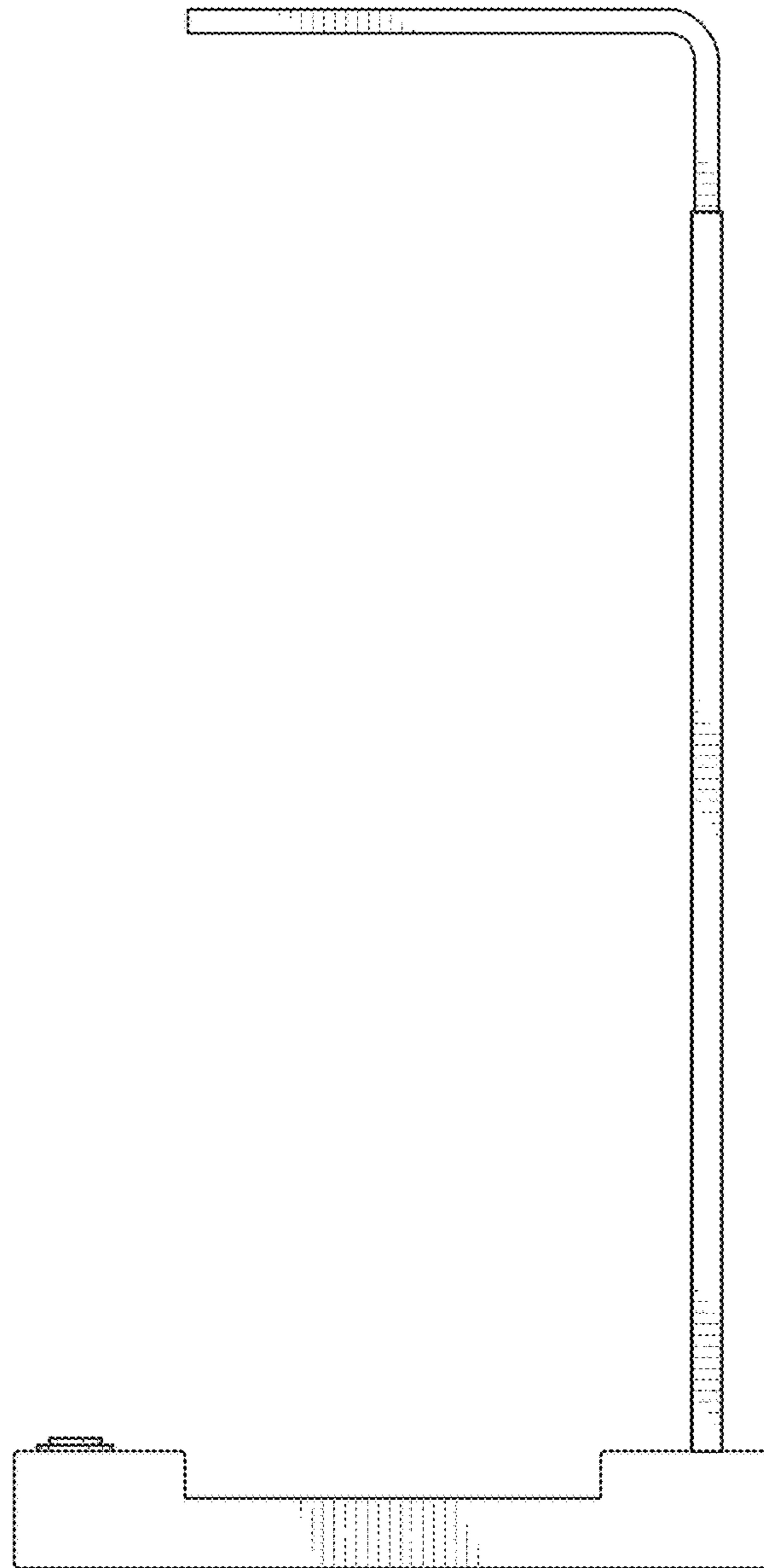


FIG. 3

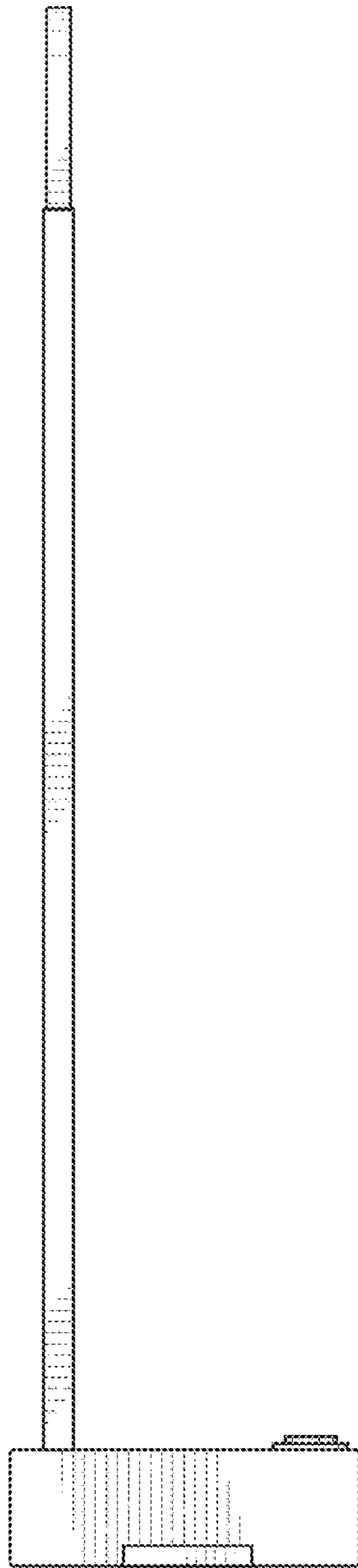


FIG. 4

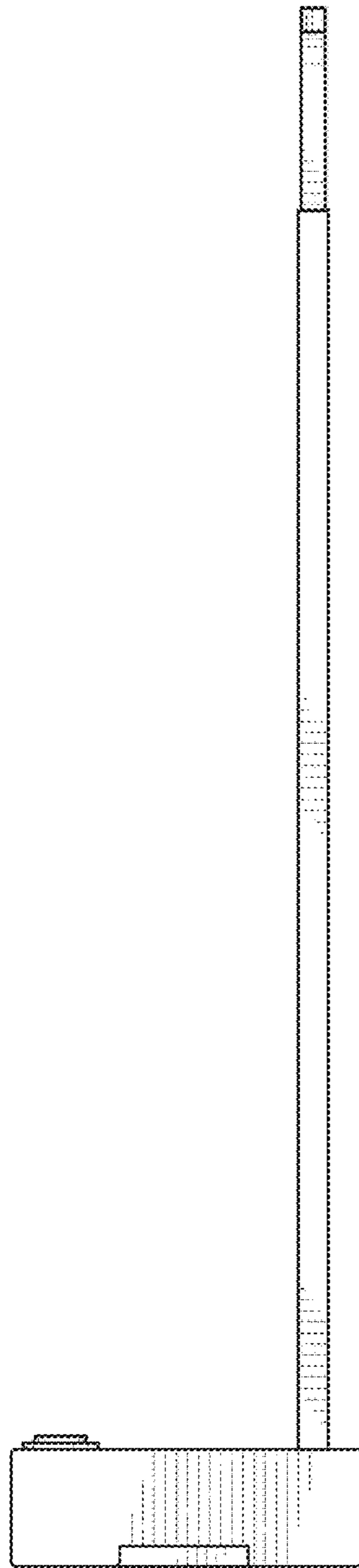


FIG. 5

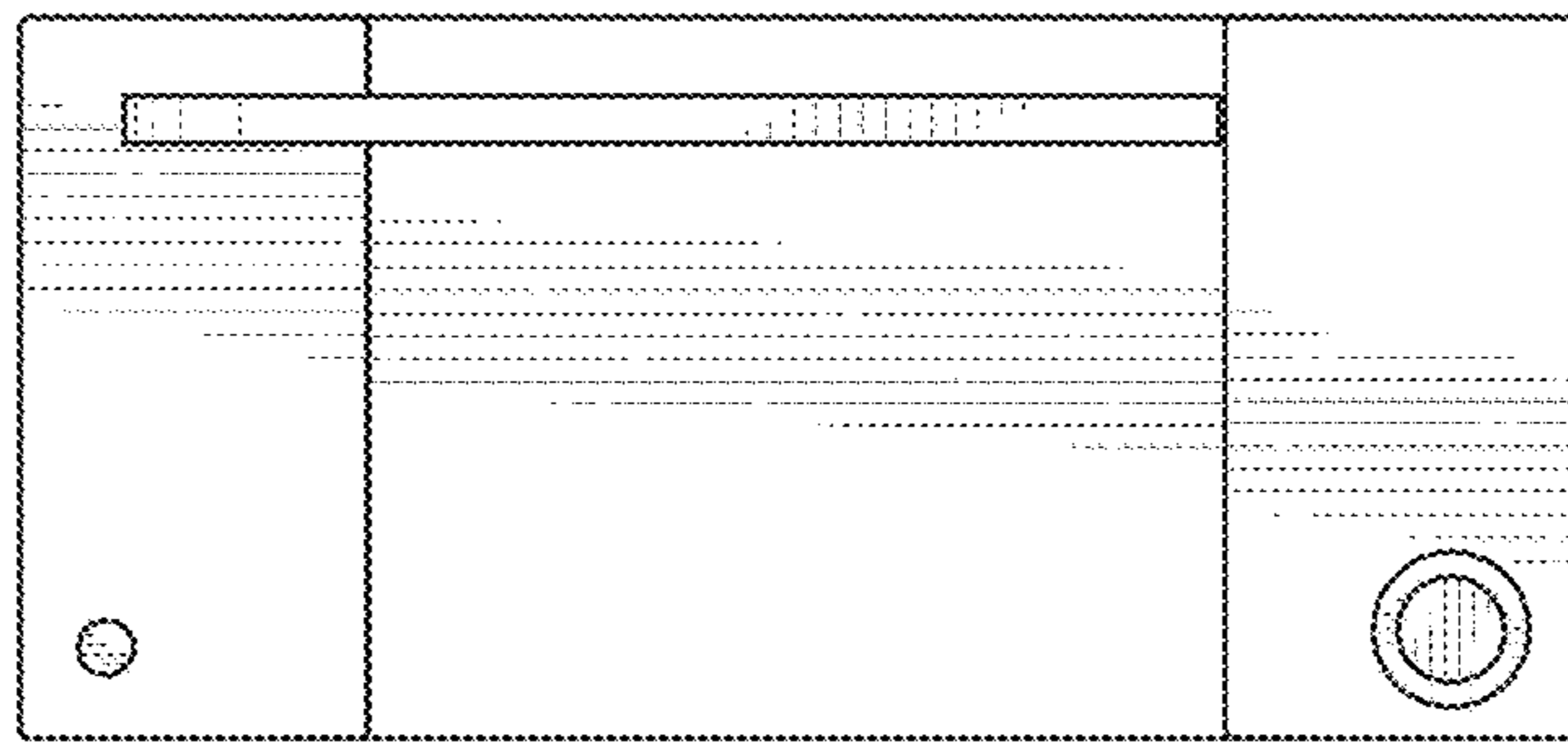


FIG. 6

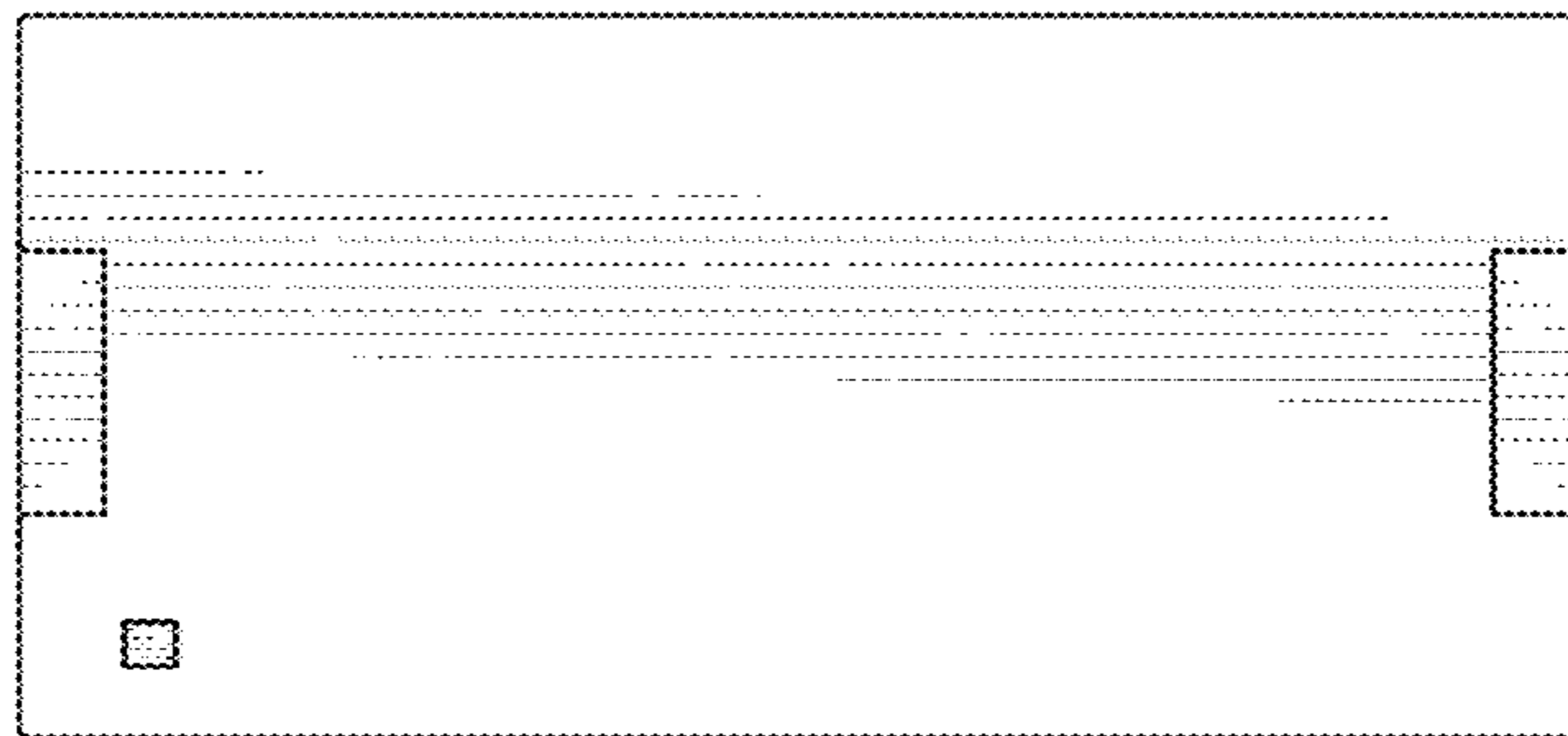


FIG. 7