



US00D837321S

(12) **United States Design Patent** (10) **Patent No.:** **US D837,321 S**
Cameron (45) **Date of Patent:** **** Jan. 1, 2019**

- (54) **HOSEL OF A GOLF CLUB**
- (71) Applicant: **Acushnet Company**, Fairhaven, MA (US)
- (72) Inventor: **Don T. Cameron**, Carlsbad, CA (US)
- (73) Assignee: **Acushnet Company**, Fairhaven, MA (US)
- (**) Term: **15 Years**
- (21) Appl. No.: **29/595,664**
- (22) Filed: **Mar. 1, 2017**
- (51) **LOC (11) Cl.** **21-02**
- (52) **U.S. Cl.**
USPC **D21/759**
- (58) **Field of Classification Search**
USPC D21/736-746, 759
CPC A63B 53/00; A63B 53/04; A63B 53/007;
A63B 53/065; A63B 53/0487; A63B
60/00; A63B 60/46
See application file for complete search history.

| | | | | |
|----------------|---------|------------|-------|-----------------------|
| D464,695 S * | 10/2002 | Long | | D21/759 |
| D478,951 S * | 8/2003 | Burrows | | D21/759 |
| 6,752,726 B2 * | 6/2004 | Burrows | | A63B 53/02 473/309 |
| D495,021 S * | 8/2004 | Gray | | D21/759 |
| D506,798 S * | 6/2005 | Burrows | | D21/759 |
| D591,379 S * | 4/2009 | De La Cruz | | D21/759 |
| D591,815 S * | 5/2009 | De La Cruz | | D21/759 |
| D635,628 S * | 4/2011 | Evans | | D21/759 |
| D637,675 S * | 5/2011 | Evans | | D21/759 |
| D756,476 S * | 5/2016 | Rollinson | | D21/759 |
| D757,871 S * | 5/2016 | Dipert | | D21/747 |
| D780,273 S * | 2/2017 | Dipert | | D21/759 |
| D796,611 S * | 9/2017 | Ivanova | | D21/759 |

* cited by examiner

Primary Examiner — Mitchell I. Siegel
(74) *Attorney, Agent, or Firm* — Randy K. Chang

(57) **CLAIM**

The ornamental design for hosel of a golf club, as shown and described.

DESCRIPTION

FIG. 1 is a perspective back view of my new design for a hosel of a golf club;
 FIG. 2 is a top view thereof;
 FIG. 3 is a front view thereof;
 FIG. 4 is a back view thereof;
 FIG. 5 is a bottom sole view thereof;
 FIG. 6 is a toe view thereof; and,
 FIG. 7 is a heel view thereof.

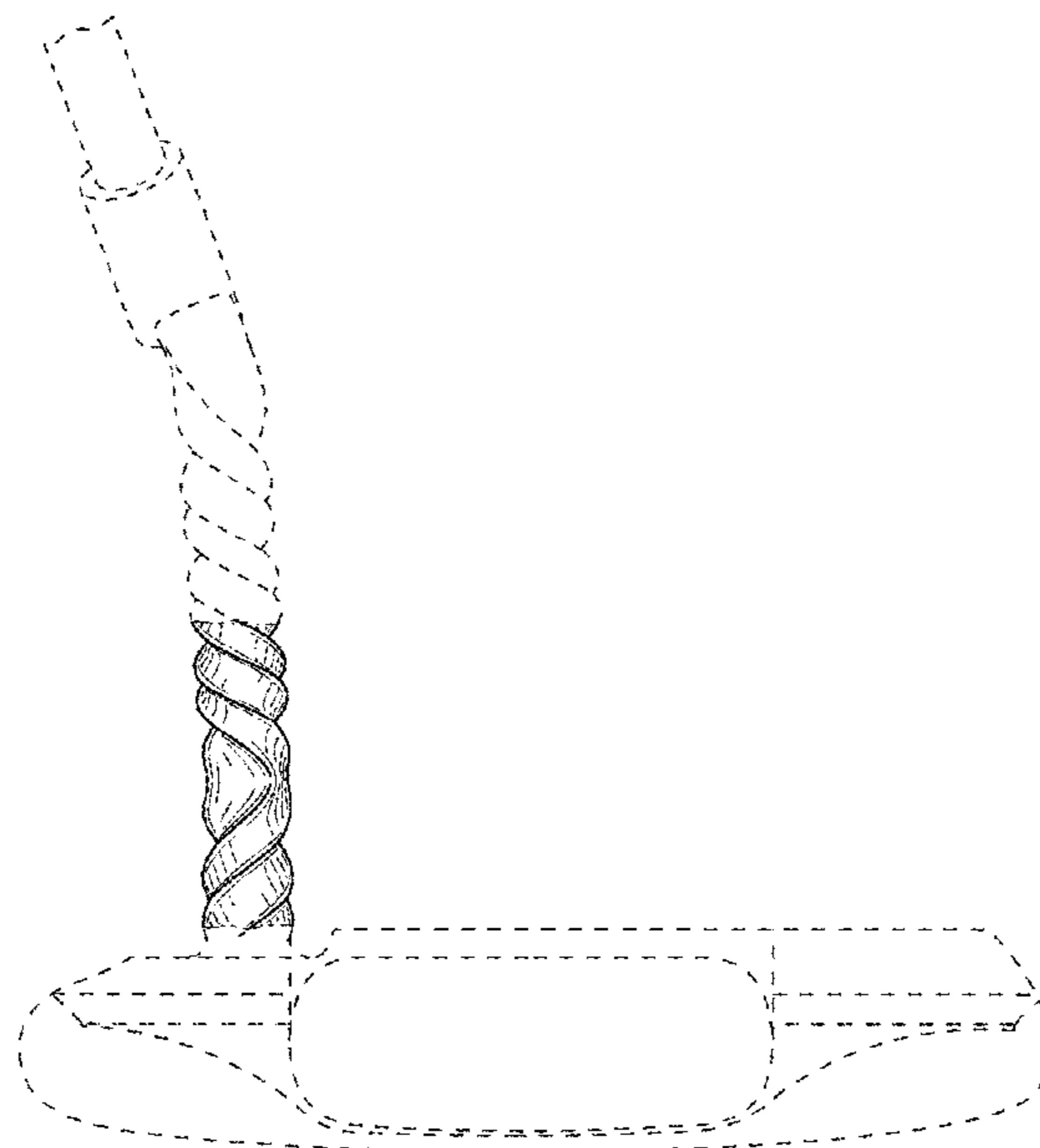
The broken line showing of the unclaimed golf club head and unclaimed portions of the hosel are for illustrative purposes only and forms no part of the claimed design. The dash-dot broken lines on the drawings are representative of boundary lines and form no part of the claimed design.

1 Claim, 4 Drawing Sheets

(56) **References Cited**

U.S. PATENT DOCUMENTS

| | | | | |
|--------------|---------|-----------|-------|---------|
| D359,541 S * | 6/1995 | Lamanna | | D21/757 |
| D378,771 S * | 4/1997 | Antonious | | D21/757 |
| D381,728 S * | 7/1997 | Cameron | | D21/759 |
| D388,488 S * | 12/1997 | Cameron | | D21/759 |
| D401,653 S * | 11/1998 | Burrows | | D21/753 |
| D401,654 S * | 11/1998 | Burrows | | D21/753 |
| D401,655 S * | 11/1998 | Burrows | | D21/753 |
| D401,656 S * | 11/1998 | Burrows | | D21/753 |
| D409,701 S * | 5/1999 | Ashcraft | | D21/743 |
| D410,982 S * | 6/1999 | Solheim | | D21/759 |
| D436,151 S * | 1/2001 | Nicolette | | D21/759 |
| D443,668 S * | 6/2001 | Nicolette | | D21/759 |



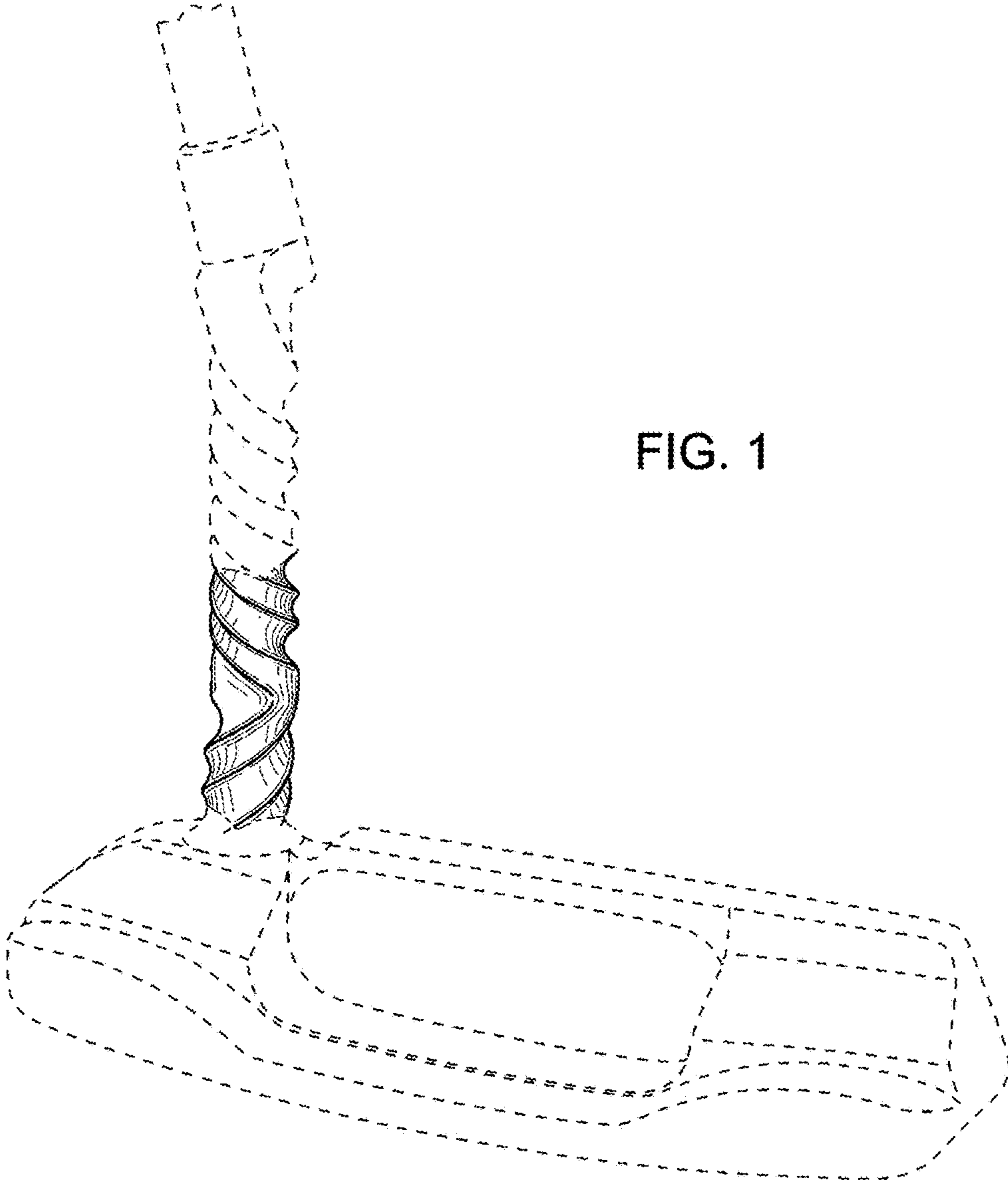


FIG. 2

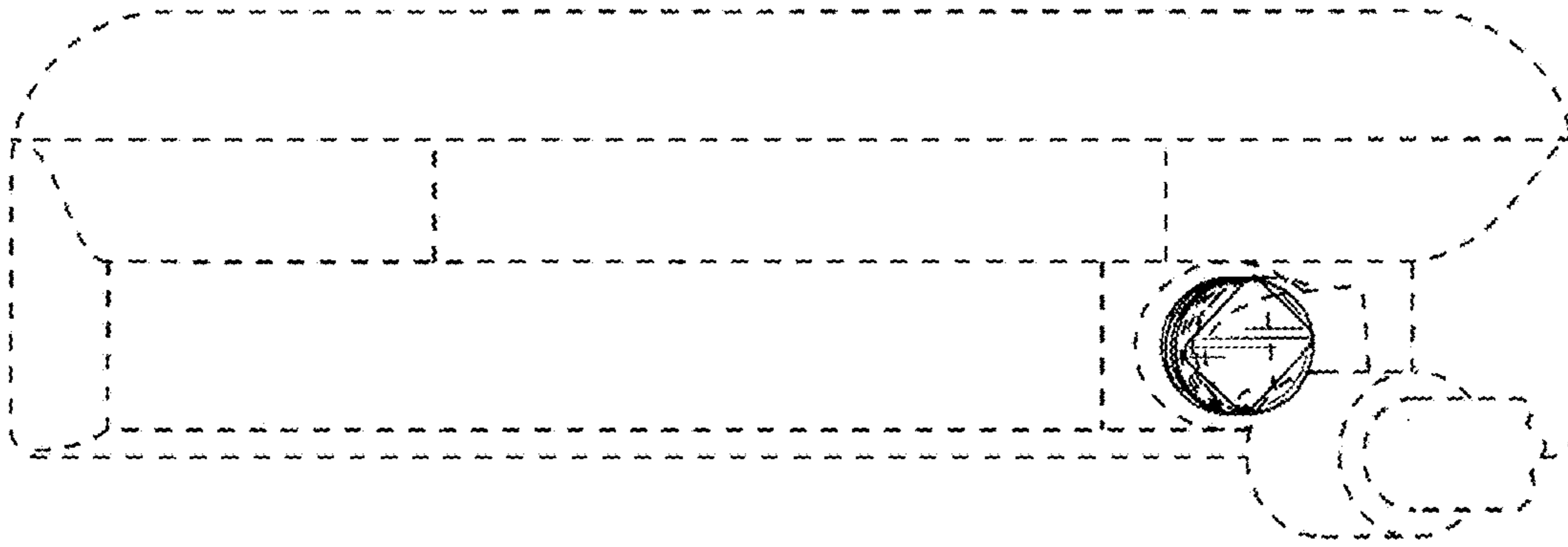
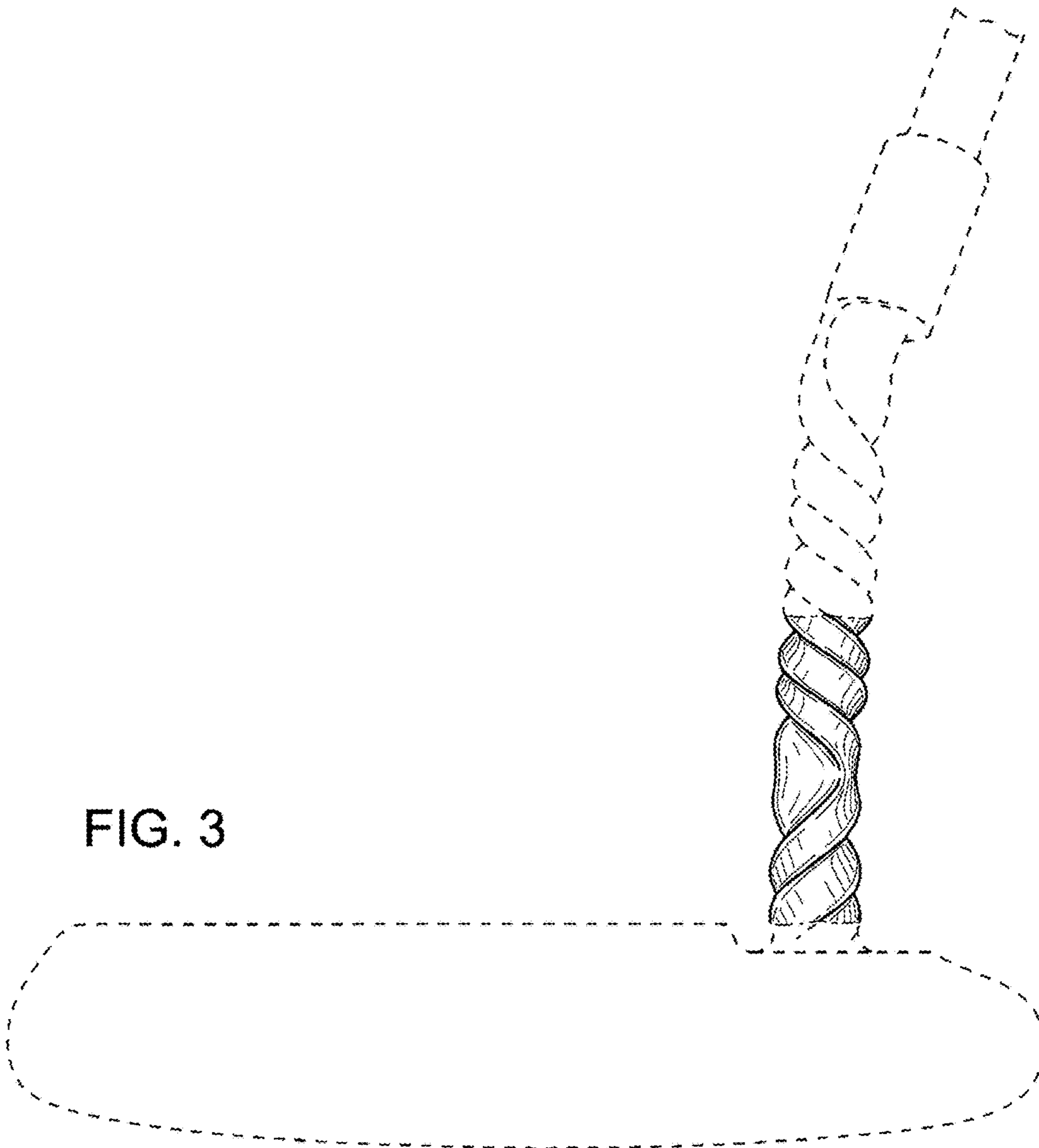


FIG. 3



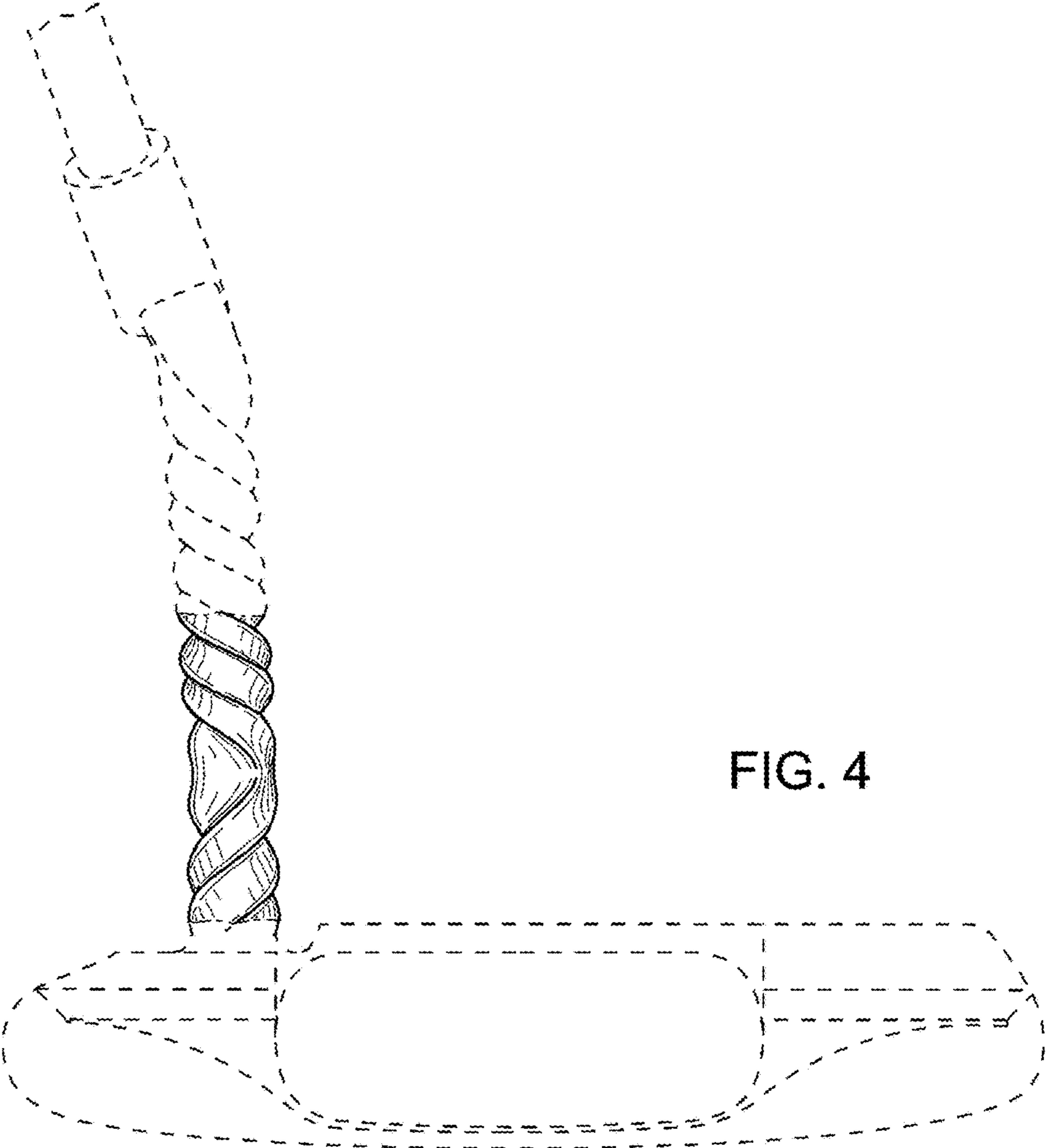


FIG. 4

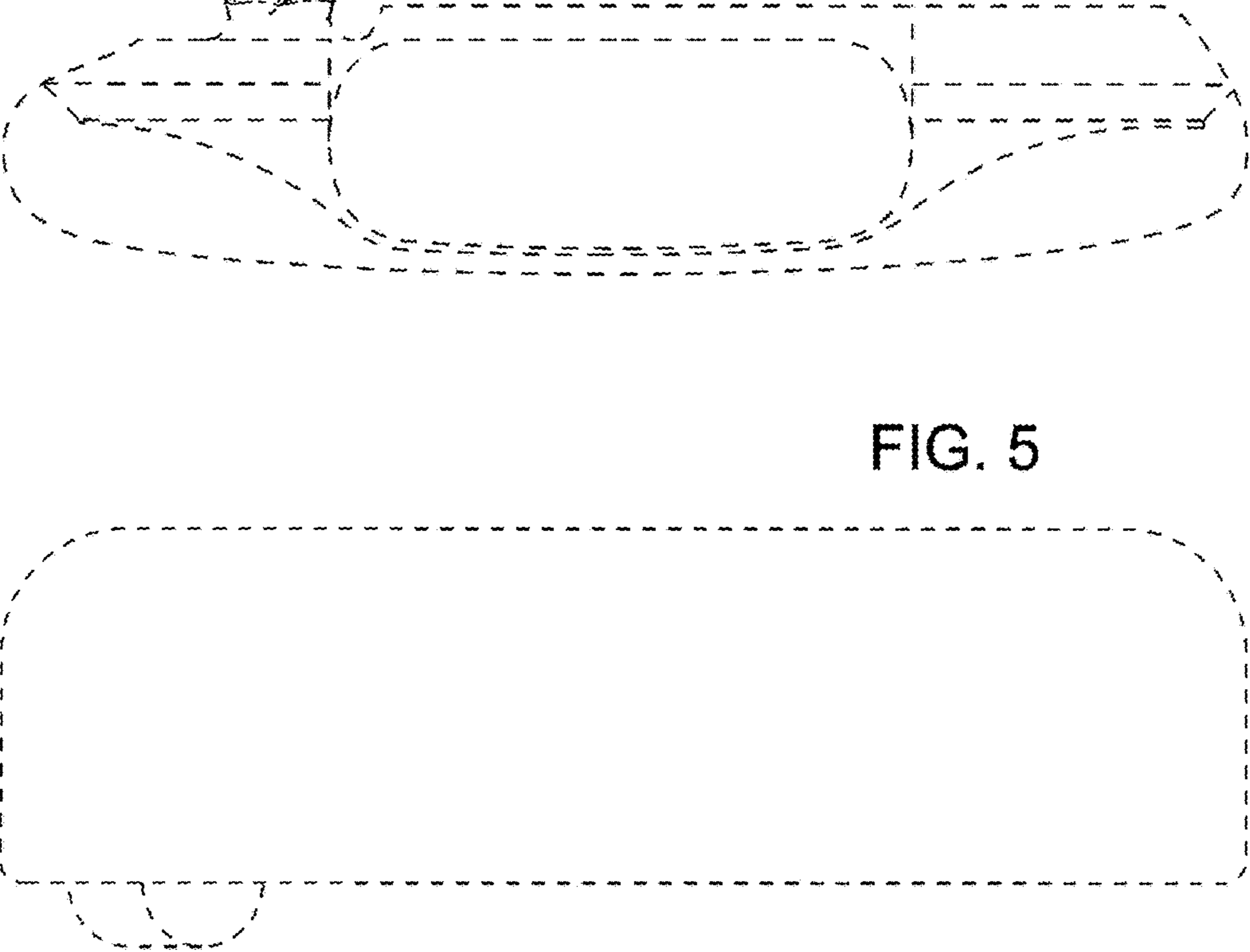


FIG. 5

FIG. 6

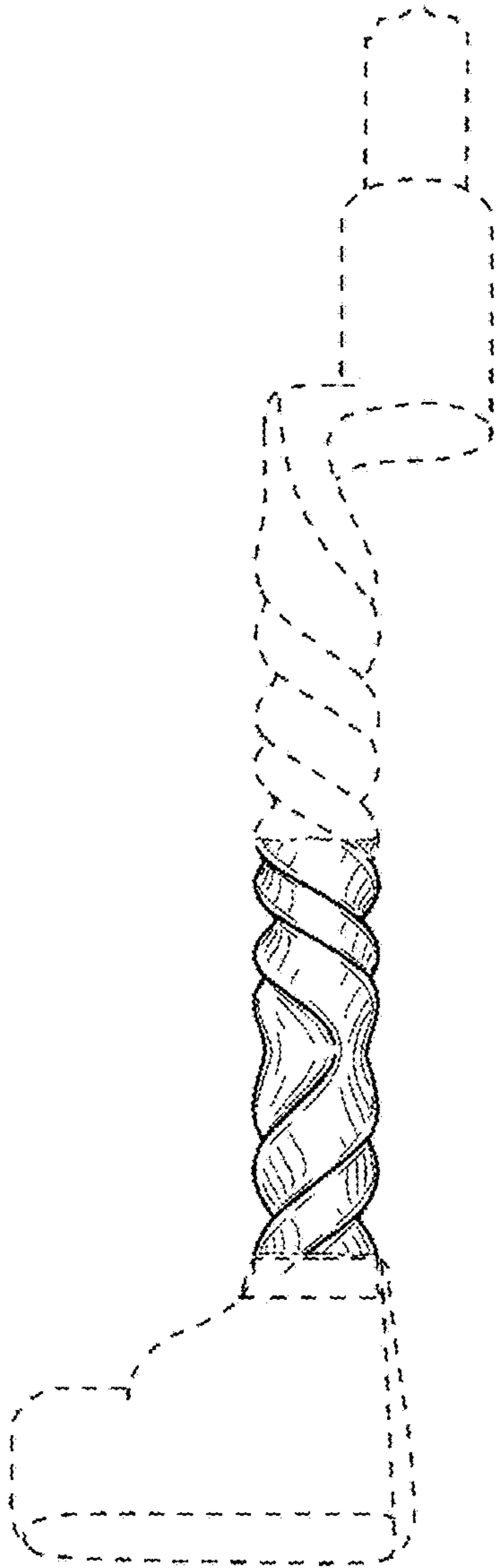


FIG. 7

