



US00D837319S

(12) **United States Design Patent** (10) **Patent No.:** **US D837,319 S**
Gaffney et al. (45) **Date of Patent:** **** Jan. 1, 2019**

(54) **GOLF CLUB HEAD COVER WITH CLOSURE**

D576,238 S * 9/2008 Chen D21/754
D576,239 S * 9/2008 Chen D21/754
D585,512 S * 1/2009 Quartarone, III D21/754
D590,901 S * 4/2009 Chen D21/754
D617,404 S * 6/2010 McGuire D21/754

(Continued)

(71) Applicant: **Arizona Manufacturing & Embroidery, Inc.**, Tempe, AZ (US)

(72) Inventors: **J. Travis Gaffney**, Phoenix, AZ (US); **Luis Barajas**, Phoenix, AZ (US)

(73) Assignee: **Arizona Manufacturing & Embroidery, Inc.**, Tempe, AZ (US)

(**) Term: **15 Years**

(21) Appl. No.: **29/591,993**

(22) Filed: **Jan. 25, 2017**

Related U.S. Application Data

(63) Continuation-in-part of application No. 29/553,147, filed on Jan. 28, 2016, now Pat. No. Des. 796,607.

(51) **LOC (11) Cl.** **21-02**

(52) **U.S. Cl.**
USPC **D21/754**

(58) **Field of Classification Search**
USPC D21/754; D9/702, 703, 711
CPC A63B 60/62
See application file for complete search history.

(56) **References Cited**

U.S. PATENT DOCUMENTS

3,426,815 A * 2/1969 Ashlin A63B 60/62
150/160
D470,206 S * 2/2003 Bergling-Olson D21/754
D484,210 S * 12/2003 Oldknow D21/754
D485,879 S * 1/2004 Cameron D21/754
D508,101 S * 8/2005 Chen D21/754
D527,435 S * 8/2006 Chen D21/754
D527,779 S * 9/2006 Chen D21/754
D529,113 S * 9/2006 Chen D21/754
D549,294 S * 8/2007 Cameron D21/754
D561,858 S * 2/2008 Chen D21/754

FOREIGN PATENT DOCUMENTS

GB 1397252 A 6/1975
JP 9084910 A 3/1997

OTHER PUBLICATIONS

seemore.com “Black SB Headcover w/Pocket Velcro Closure”, Apr. 12, 2013, Publisher: <http://www.seemore.com/accessories/headcovers/sb-head-covers-rh-only/right-hand-black-sb-head-cover-w-pocket-velcro-closure.html>, Published in: US.

(Continued)

Primary Examiner — Mitchell I. Siegel
(74) *Attorney, Agent, or Firm* — IPTechLaw

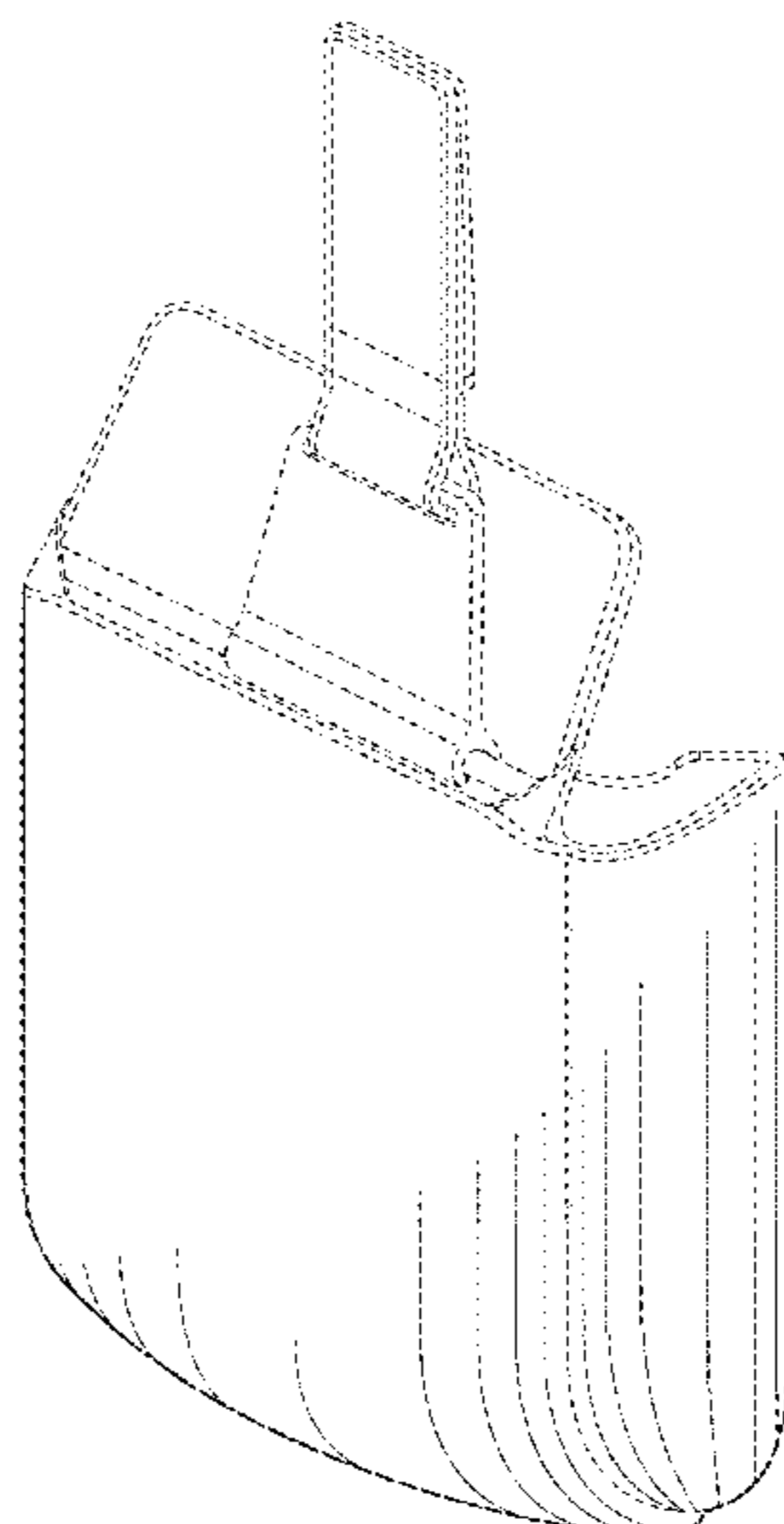
(57) **CLAIM**

The ornamental design for a golf club head cover with closure, as shown and described.

DESCRIPTION

FIG. 1 is a rear perspective view of a golf club head cover with closure;
FIG. 2 is a rear view thereof;
FIG. 3 is a front view thereof;
FIG. 4 is a left side view thereof;
FIG. 5 is a right side view thereof;
FIG. 6 is a top view thereof; and,
FIG. 7 is a bottom view thereof.
The broken line showing the upper portion of the golf club head cover is included for the purpose of illustrating unclaimed subject matter and forms no part of the claimed design.

1 Claim, 5 Drawing Sheets



(56)

References Cited

U.S. PATENT DOCUMENTS

D617,862	S *	6/2010	McGuire	D21/754
D631,113	S *	1/2011	Chen	D21/754
D631,114	S *	1/2011	Chen	D21/754
D634,802	S *	3/2011	Chen	D21/754
D635,210	S *	3/2011	Chen	D21/754
D639,365	S *	6/2011	Chen	D21/754
D647,154	S *	10/2011	Low	D21/754
D656,571	S *	3/2012	Low	D21/754
D659,783	S *	5/2012	Serrano	D21/754
8,844,588	B2 *	9/2014	Low	A63B 55/007 15/113
D796,607	S *	9/2017	Gaffney	D21/754
2006/0287122	A1	12/2006	Ray		
2007/0068611	A1	3/2007	Hwang		
2009/0188593	A1	7/2009	Cameron		
2011/0048596	A1	3/2011	Low		

OTHER PUBLICATIONS

Pro-Tekt, "Golfers Club Pro Tekt Neoprene Velcro Iron Covers", Apr. 12, 2013, Publisher: <http://www.golfgeardirect.co.uk/shop/accessories/golf-headcovers/golfers-club-headcovers/golfers-club-pro-tekt-neoprene-1034586.html>, Published in: US.

* cited by examiner

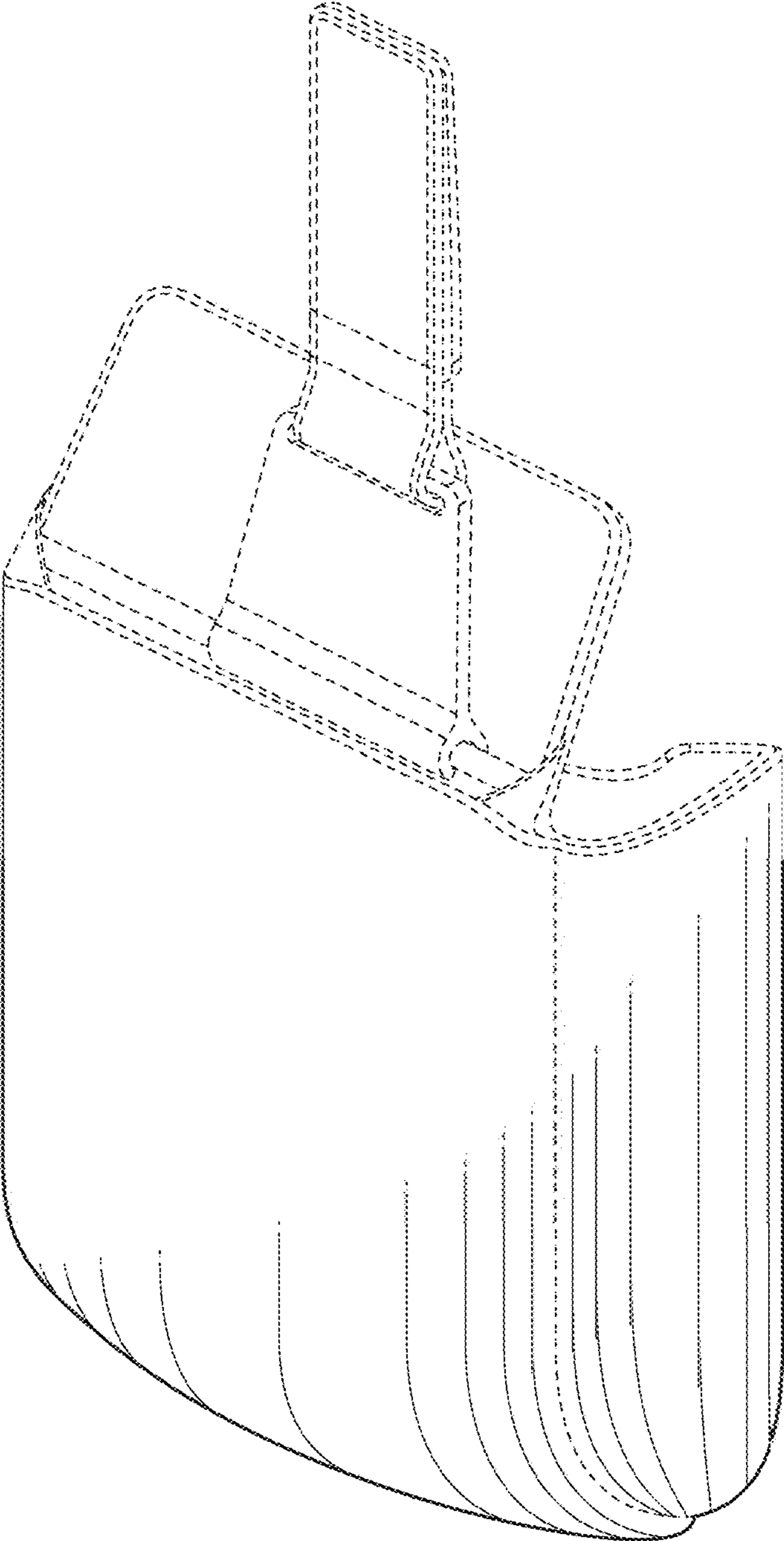


FIG. 1

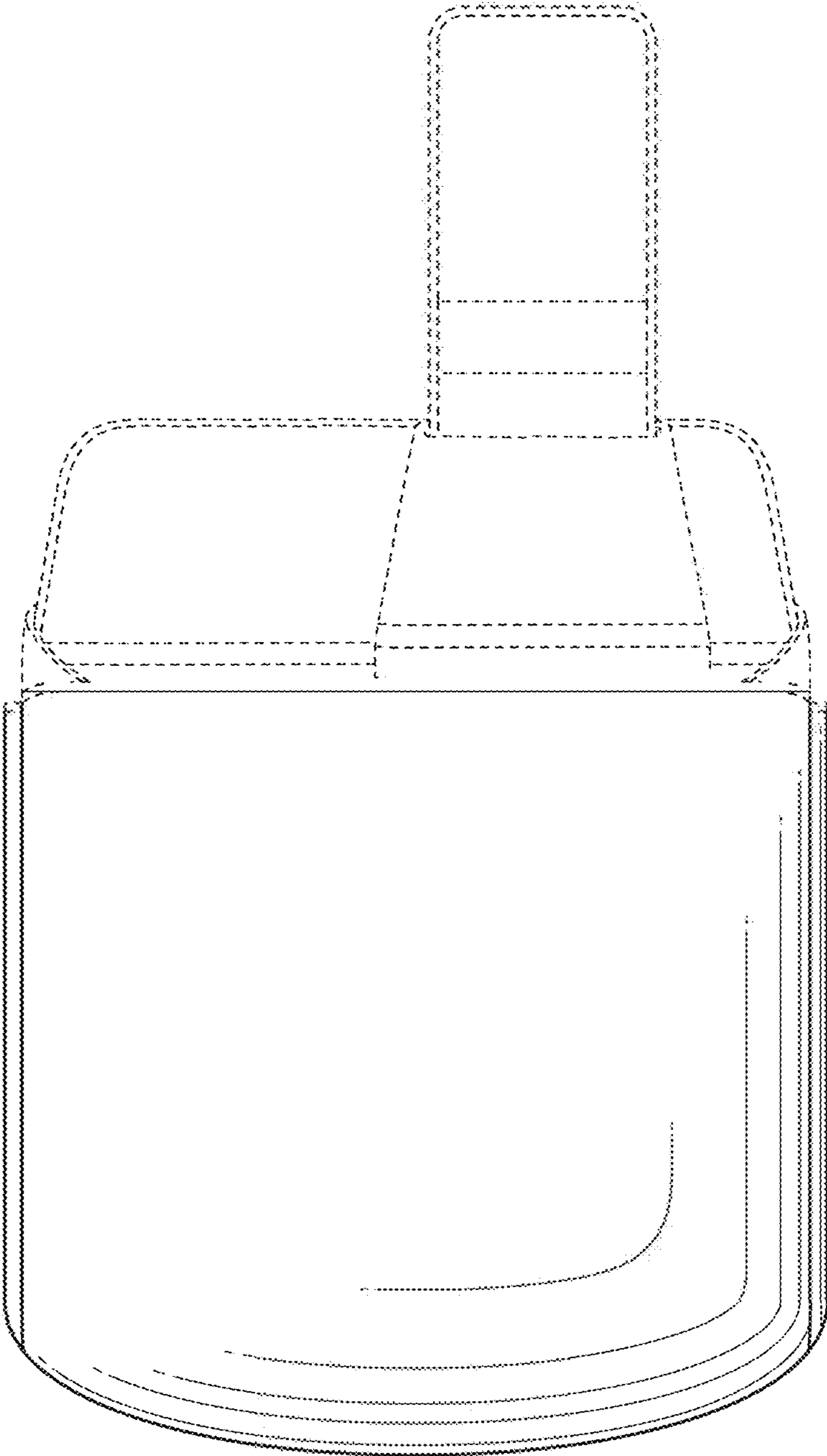


FIG. 2

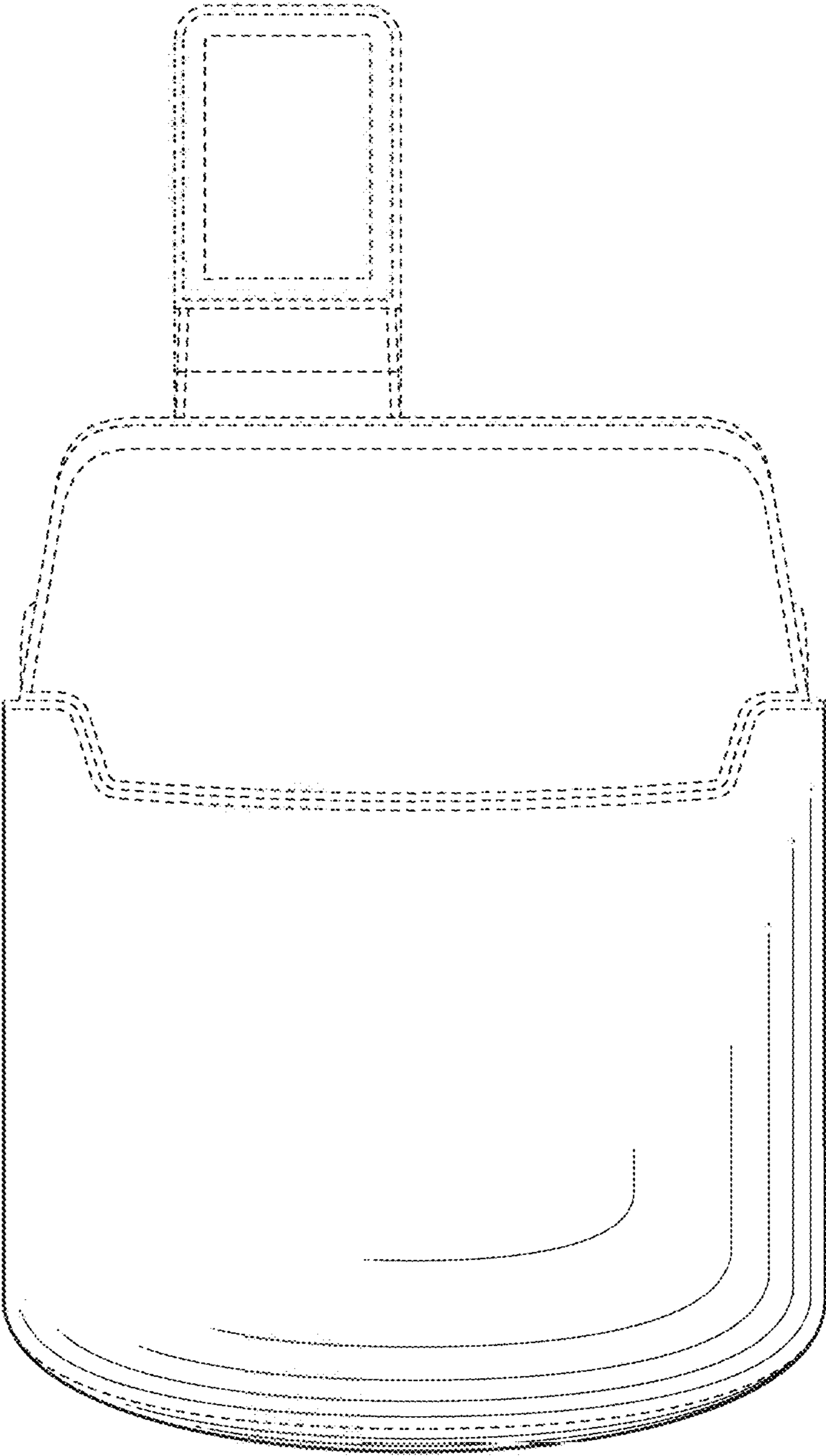


FIG. 3

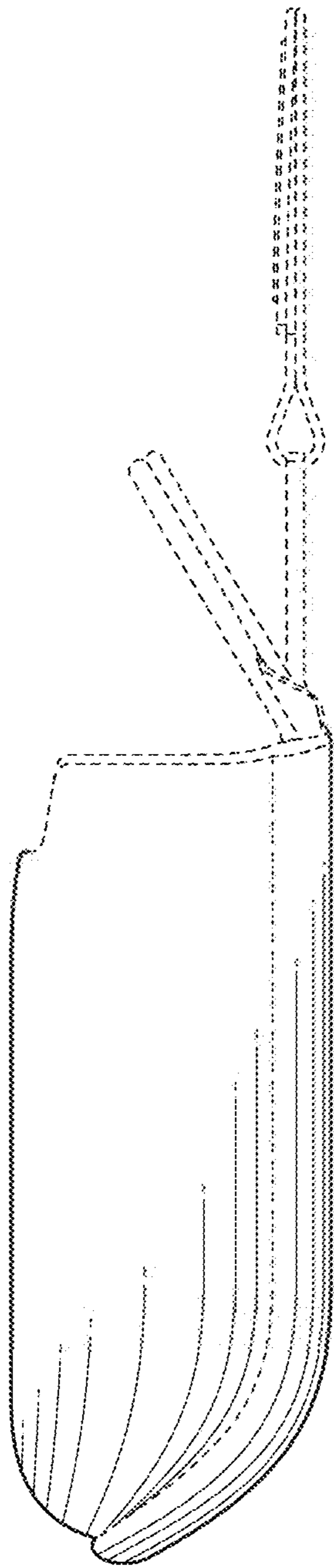


FIG. 4

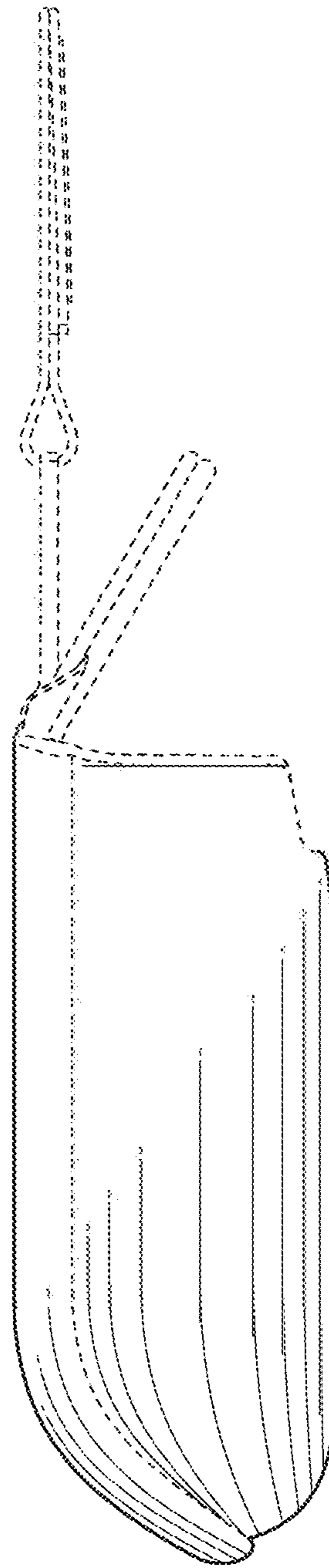


FIG. 5

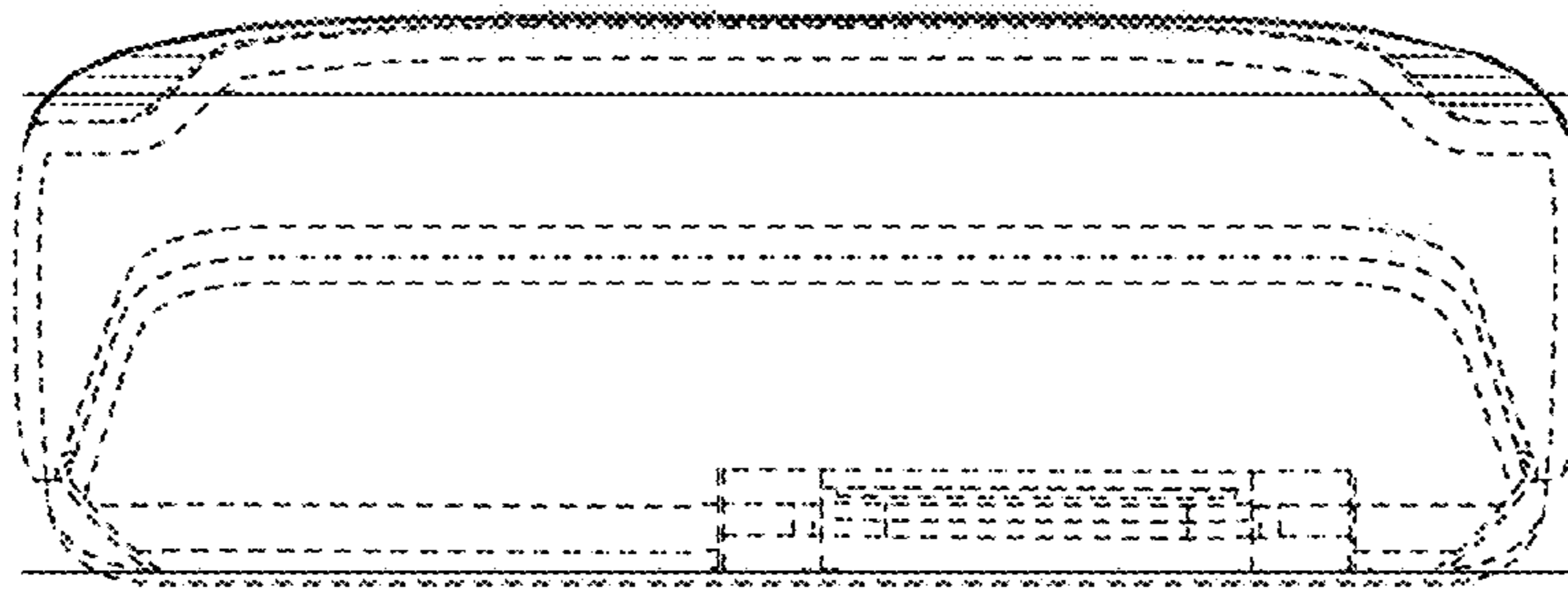


FIG. 6

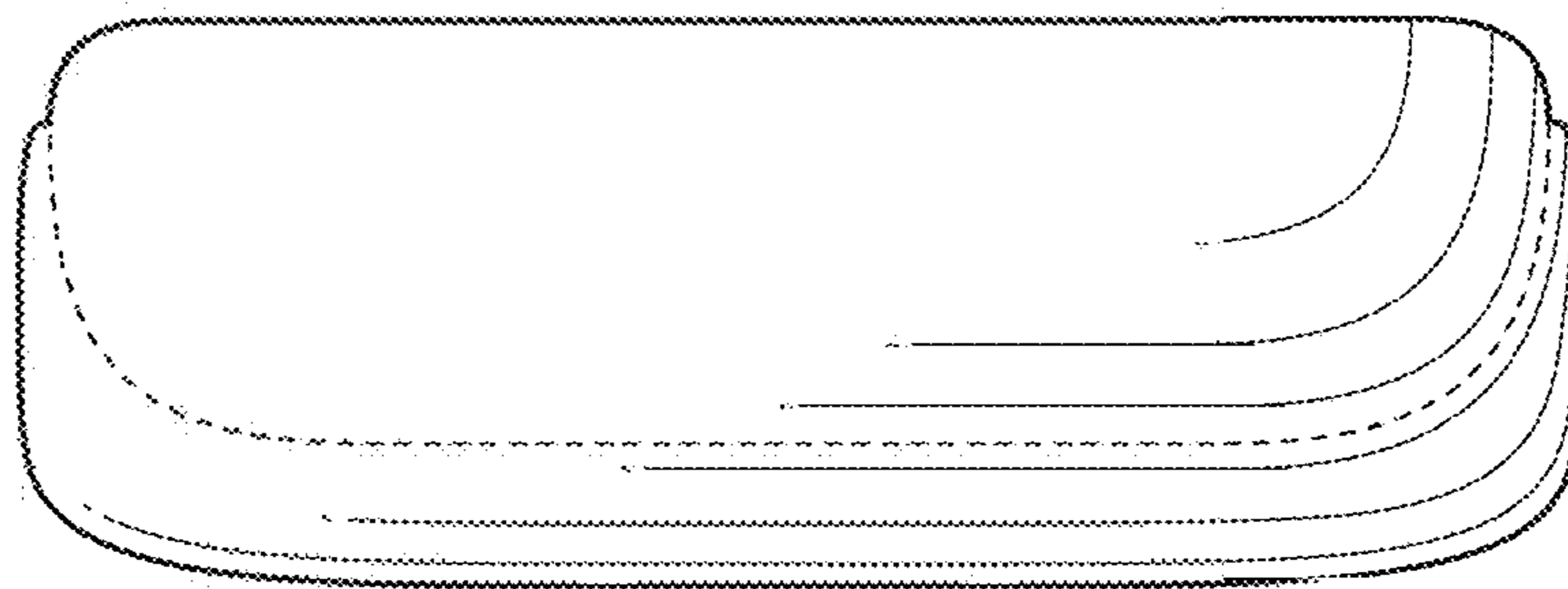


FIG. 7