



US00D837314S

(12) **United States Design Patent**  
**Peng**

(10) **Patent No.:** **US D837,314 S**  
(45) **Date of Patent:** **\*\* Jan. 1, 2019**

- (54) **FOOTBALL TOY**
- (71) Applicant: **Pandian Peng**, Shenzhen (CN)
- (72) Inventor: **Pandian Peng**, Shenzhen (CN)
- (\*\*) Term: **15 Years**
- (21) Appl. No.: **29/621,428**
- (22) Filed: **Oct. 8, 2017**
- (51) **LOC (11) Cl.** ..... **21-01**
- (52) **U.S. Cl.**  
USPC ..... **D21/712; D21/398**
- (58) **Field of Classification Search**  
USPC ..... D21/398, 466, 707-714; D30/160;  
473/569-577, 593-615; 119/707-711  
CPC . A63B 37/00; A63B 37/0001; A63B 37/0005;  
A63B 37/007; A63B 37/0098; A63B  
39/00; A63B 2039/003; A63B 43/00;  
A63B 43/002; A63B 43/004; A63B  
43/005; A63B 43/007; A63B 43/008;  
A63B 43/02; A63B 43/04; A63B 43/06;  
A63B 2043/001; A63B 65/00; A63B  
65/06; A63B 65/12; A63B 65/122; A63B  
65/125; A63H 33/005; A63H 33/006;  
A63H 33/18; A01K 15/025; A01K 15/026  
See application file for complete search history.

(56) **References Cited**  
U.S. PATENT DOCUMENTS

2,011,760	A *	8/1935	Milton	.....	A63B 41/08 273/DIG. 25
2,436,174	A *	2/1948	Myers	.....	A63B 43/00 473/569
D219,284	S *	11/1970	Hunt	.....	D21/707
3,671,039	A *	6/1972	Niewolak	.....	A63B 67/002 273/317.9
4,979,751	A *	12/1990	Sullivan	.....	A63B 43/06 273/317

5,460,368	A *	10/1995	Pearson	.....	A63B 43/002 473/597
D411,269	S *	6/1999	Albarelli, Jr.	.....	D21/712
6,622,659	B2 *	9/2003	Willinger	.....	A01K 15/025 119/702
D513,096	S *	12/2005	Stiles	.....	D21/712
D562,419	S *	2/2008	Crane	.....	D21/712
D564,714	S *	3/2008	Axelrod	.....	D30/160
D576,235	S *	9/2008	Zawitz	.....	D21/707
D631,213	S *	1/2011	Morton	.....	D30/160
D690,376	S *	9/2013	Silverglate	.....	D21/712
D779,001	S *	2/2017	Nimes	.....	D21/707
9,844,703	B1 *	12/2017	Gupta	.....	A63B 39/00
2008/0090486	A1 *	4/2008	Zawitz	.....	A63H 33/008 446/124
2009/0156092	A1 *	6/2009	Zawitz	.....	A63B 39/00 446/438

(Continued)

FOREIGN PATENT DOCUMENTS

JP D1391032 \* 6/2010

Primary Examiner — Catherine A Tuttle

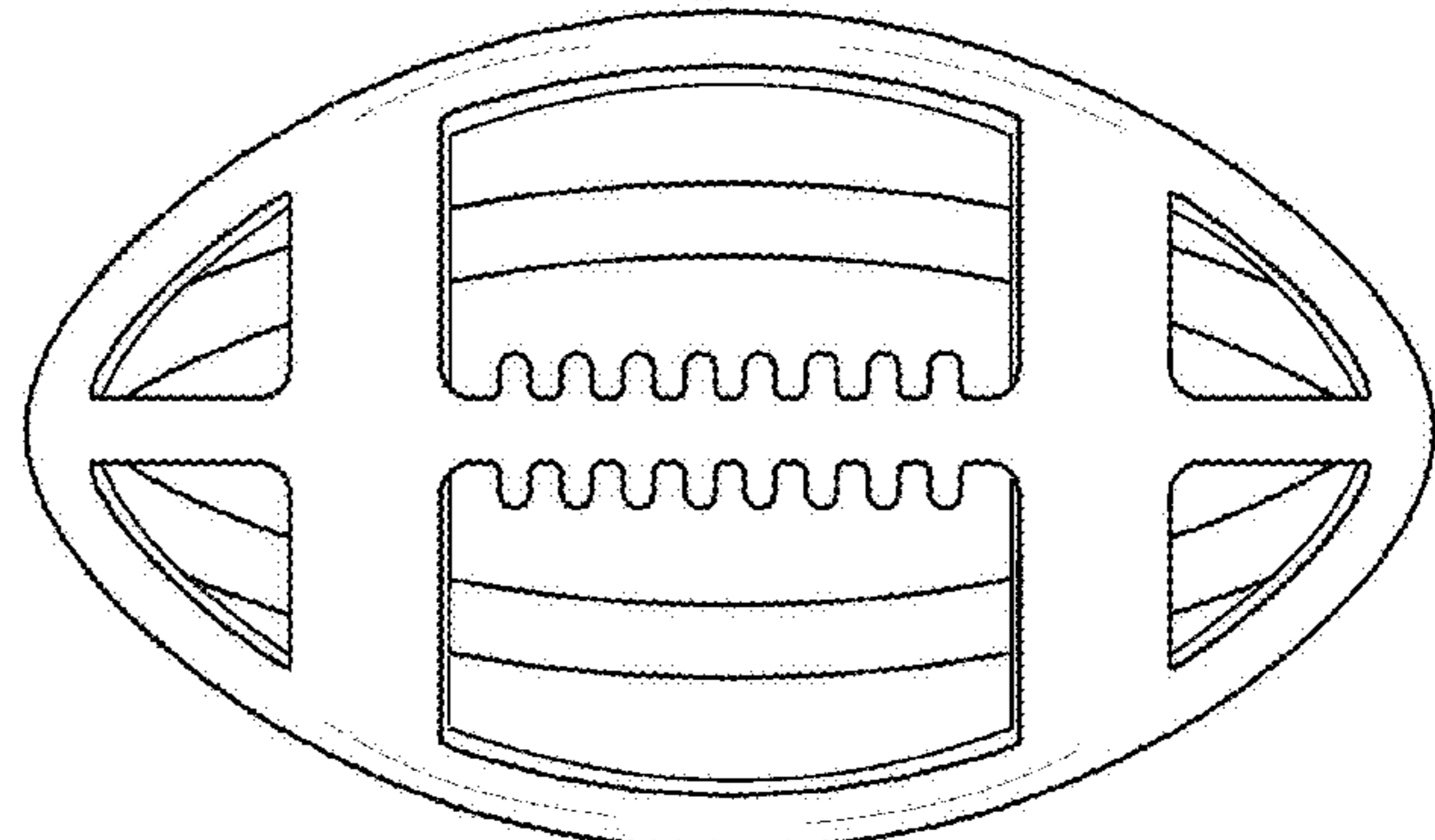
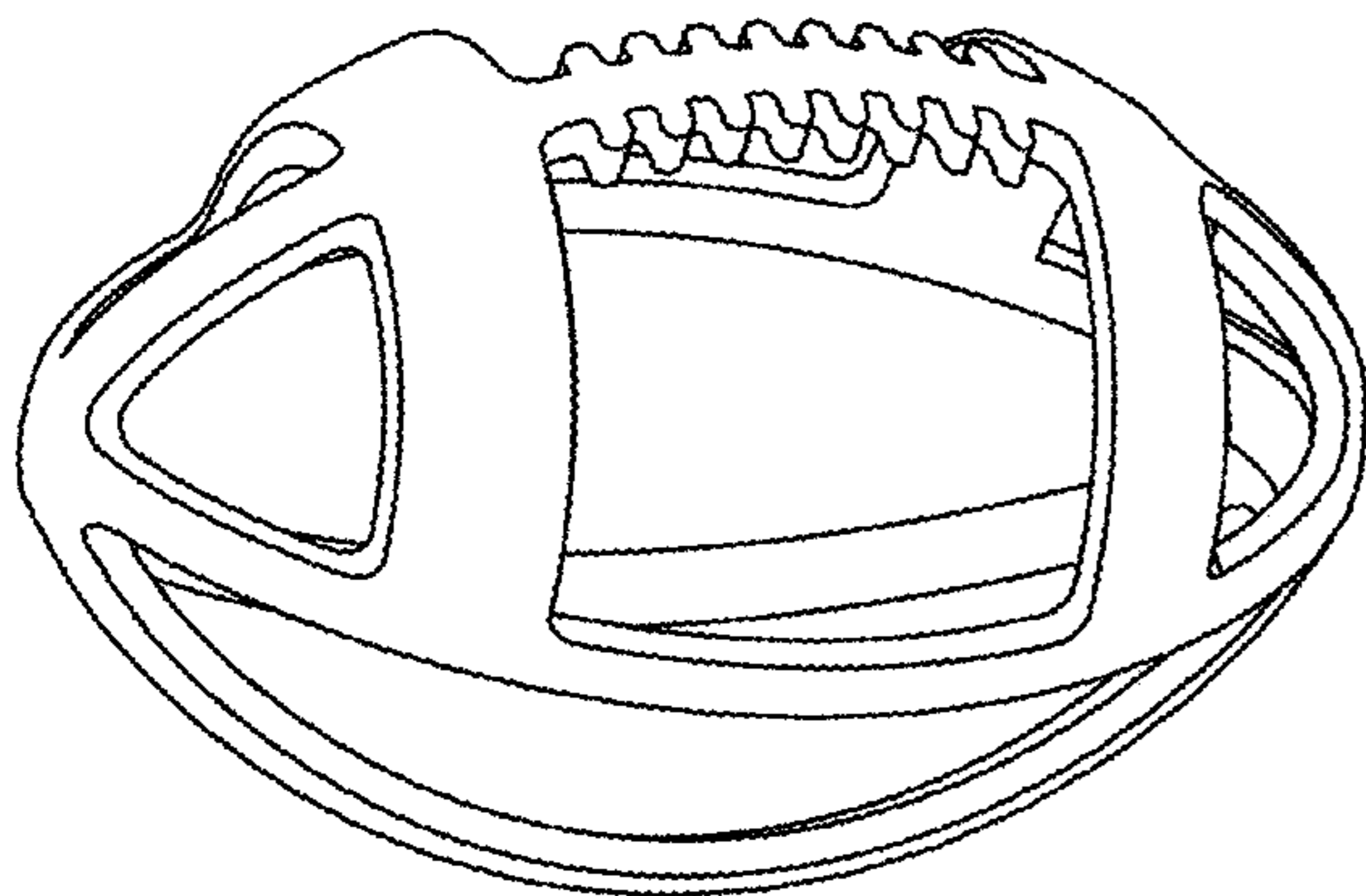
(57) **CLAIM**

The ornamental design for a football toy, as shown and described.

**DESCRIPTION**

FIG. 1 is a perspective view of the football toy showing my new design;  
 FIG. 2 is a front elevation view thereof;  
 FIG. 3 is a back elevation view thereof;  
 FIG. 4 is a left elevation view thereof taken along line 8-8 of FIG. 4;  
 FIG. 5 is a right elevation view thereof;  
 FIG. 6 is a top view thereof;  
 FIG. 7 is a bottom view thereof;  
 FIG. 8 is a cross-section view thereof; and,  
 FIG. 9 is another cross-section view thereof taken along line 9-9 of FIG. 4.

**1 Claim, 9 Drawing Sheets**



(56)

**References Cited**

U.S. PATENT DOCUMENTS

2011/0177894 A1\* 7/2011 Brewster ..... A63B 43/06  
473/570  
2012/0129635 A1\* 5/2012 Lo ..... A63B 41/08  
473/603  
2016/0273738 A1\* 9/2016 Wolfinbarger ..... A63B 41/00

\* cited by examiner

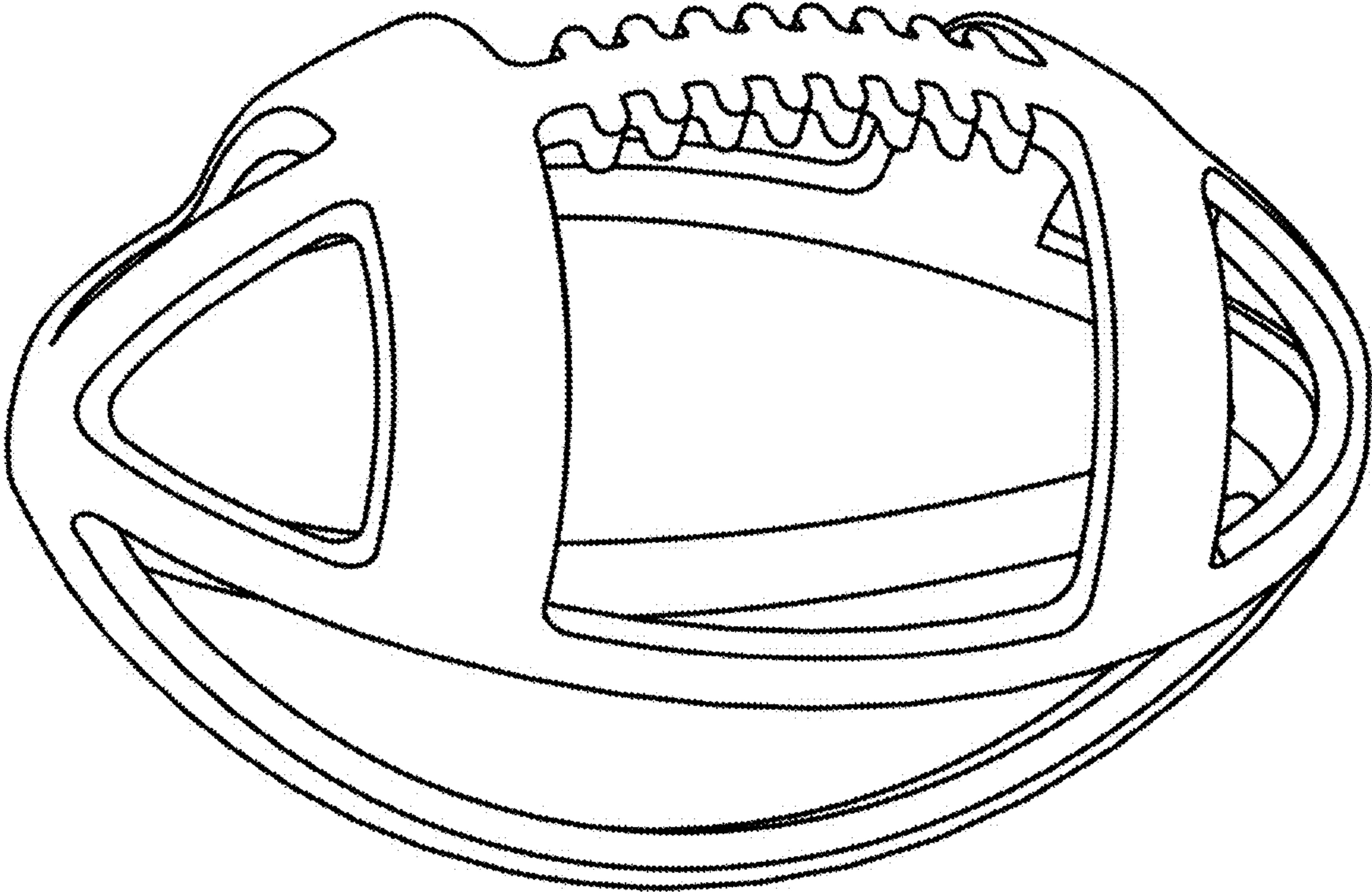


FIG. 1

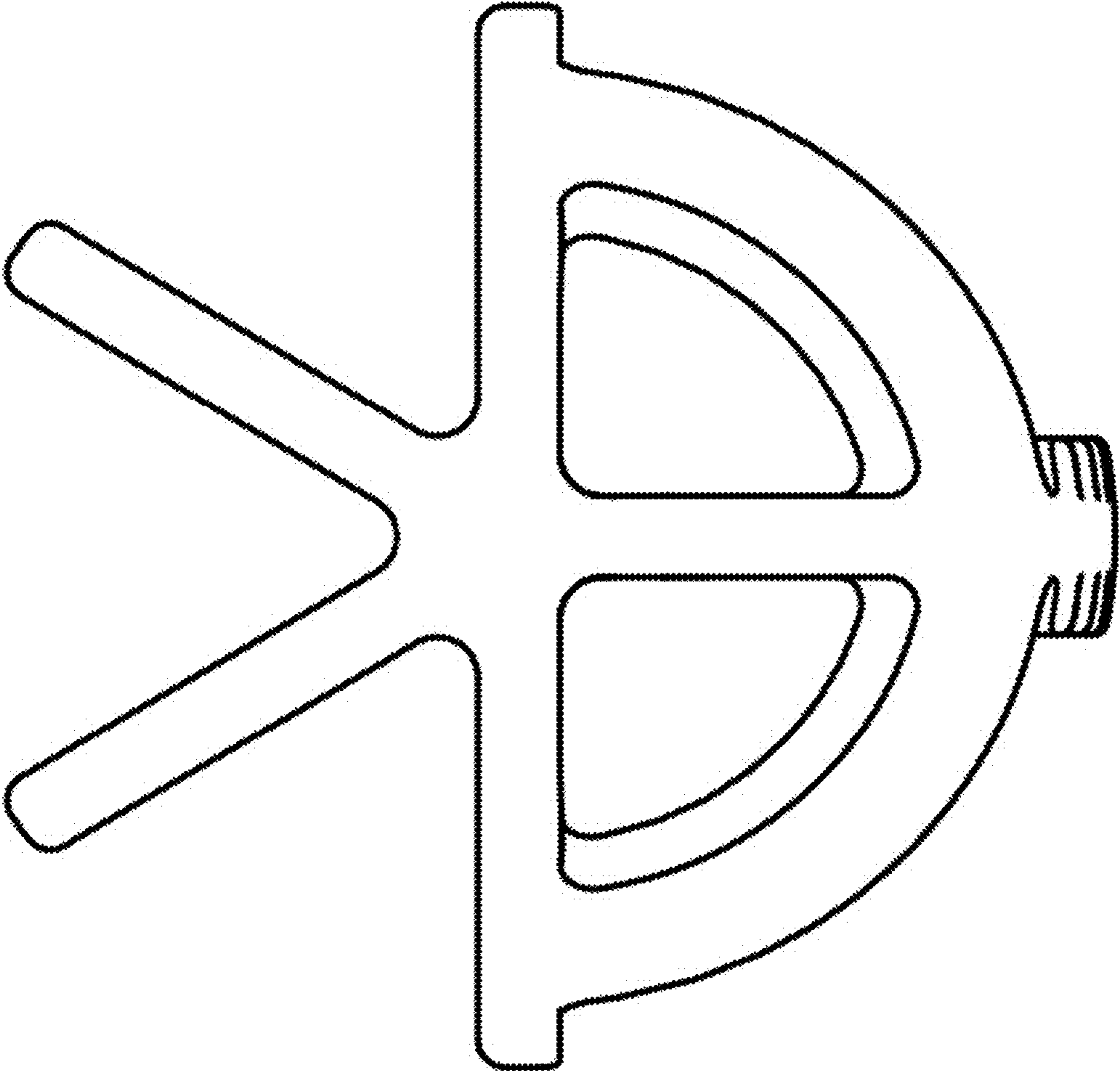


FIG 2

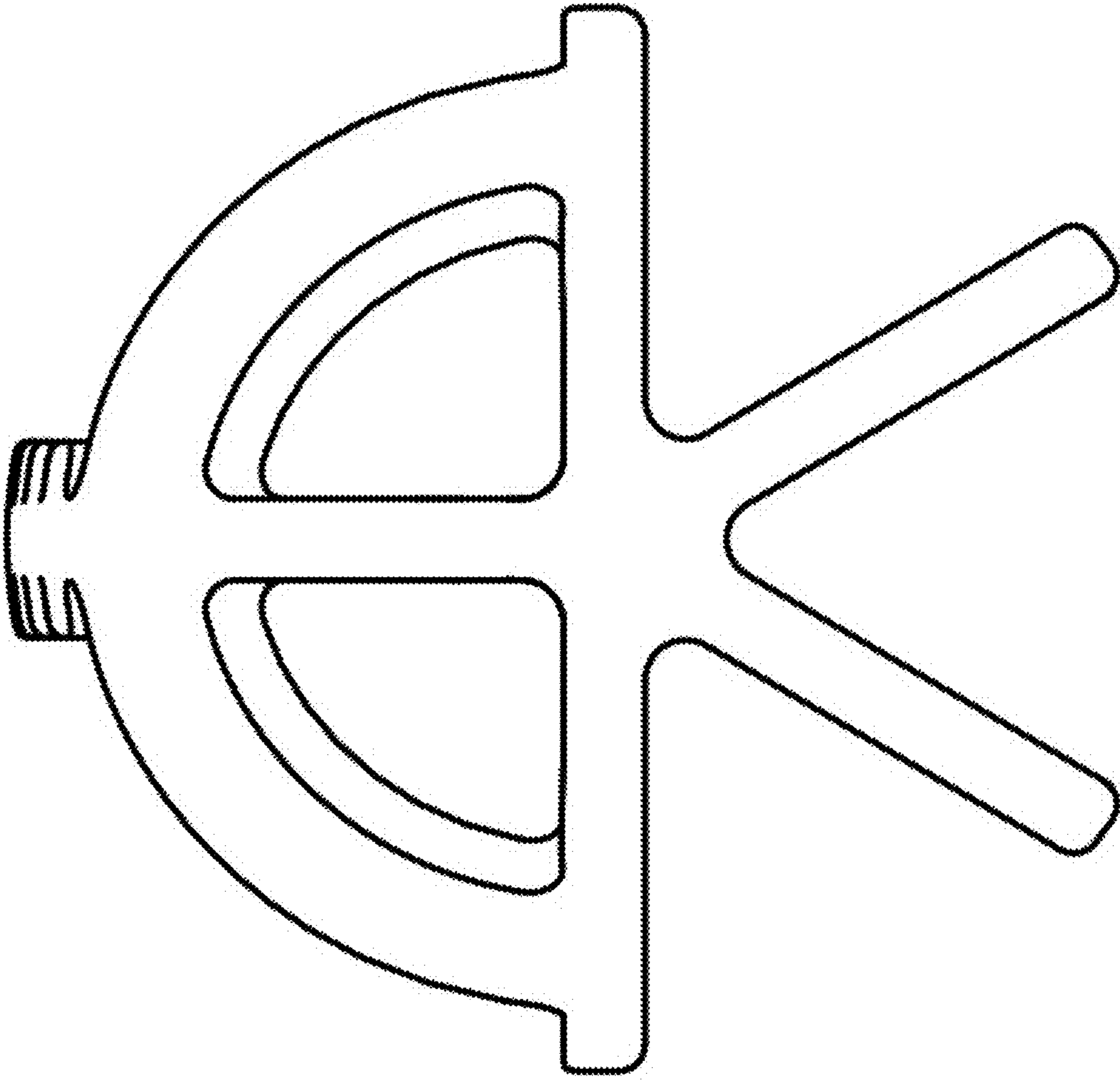


FIG. 3

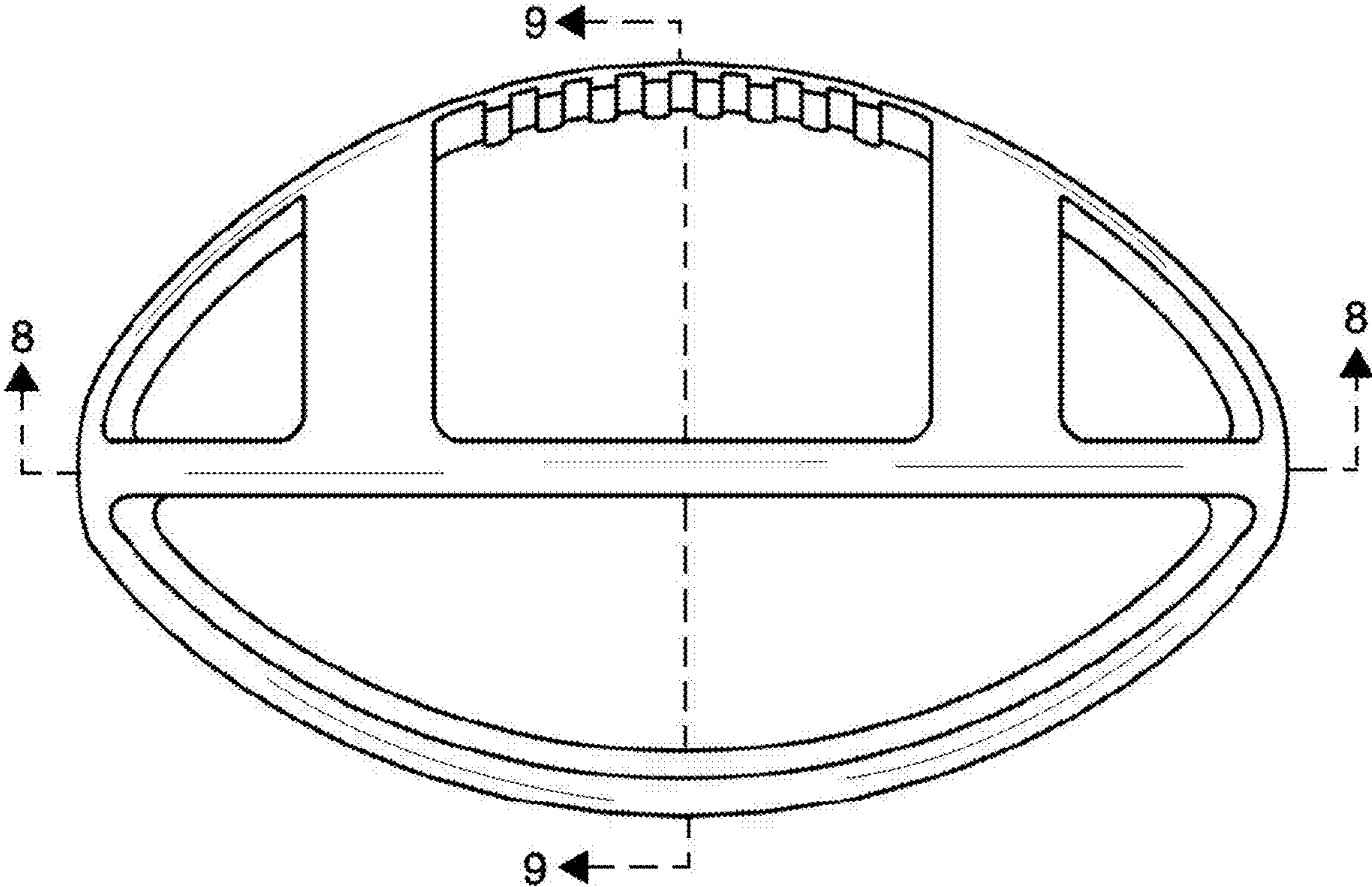


FIG. 4

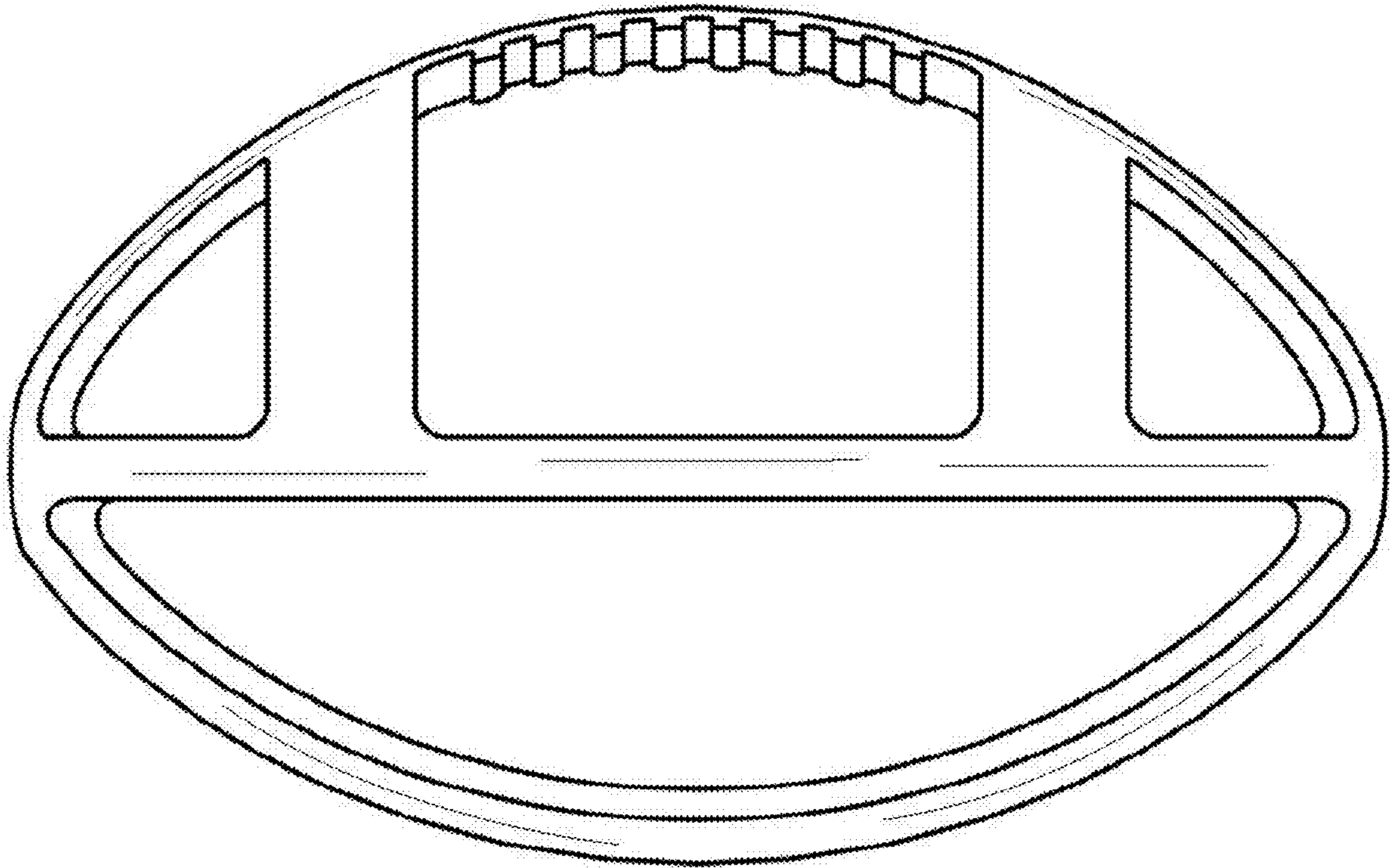


FIG. 5

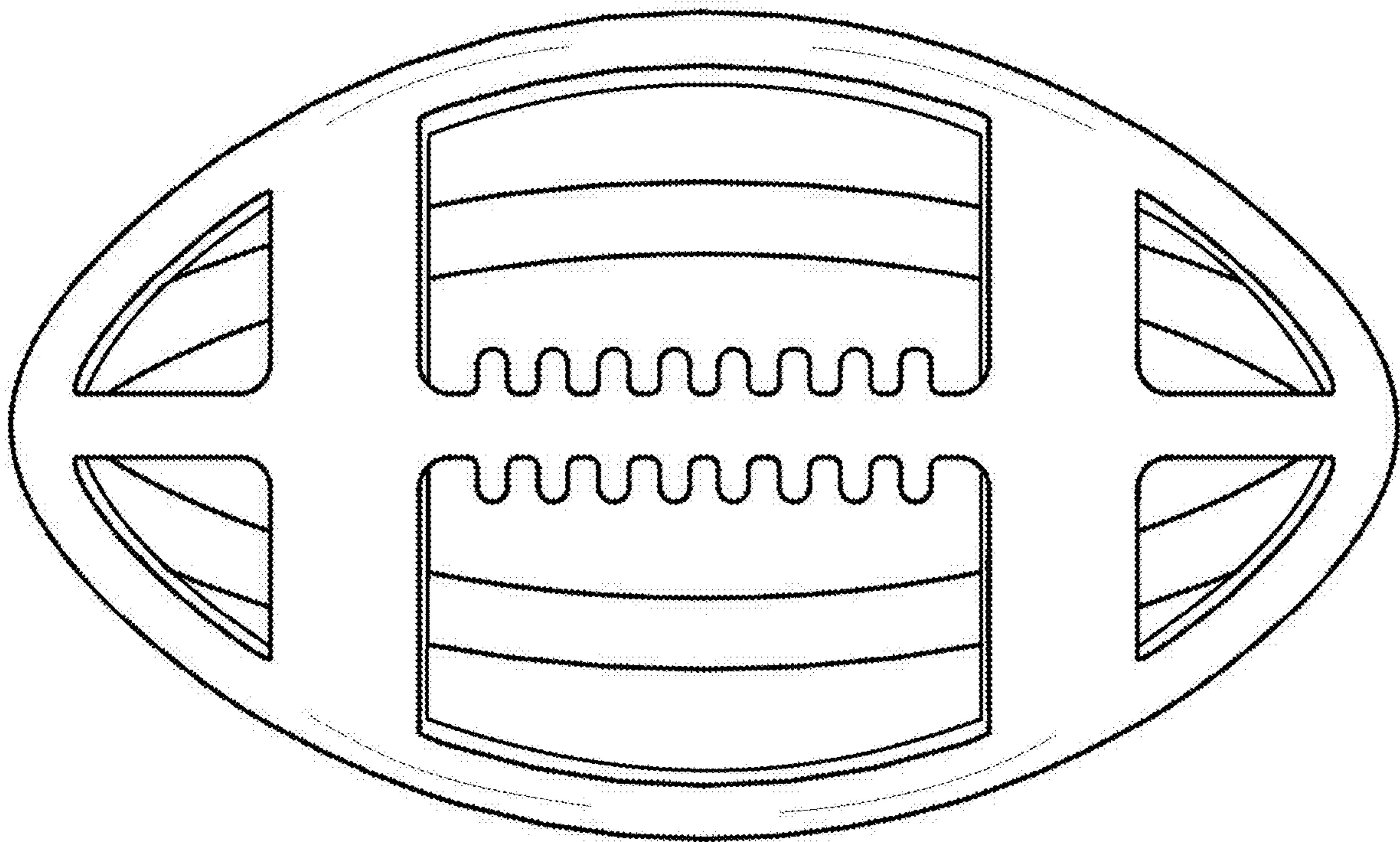


FIG. 6



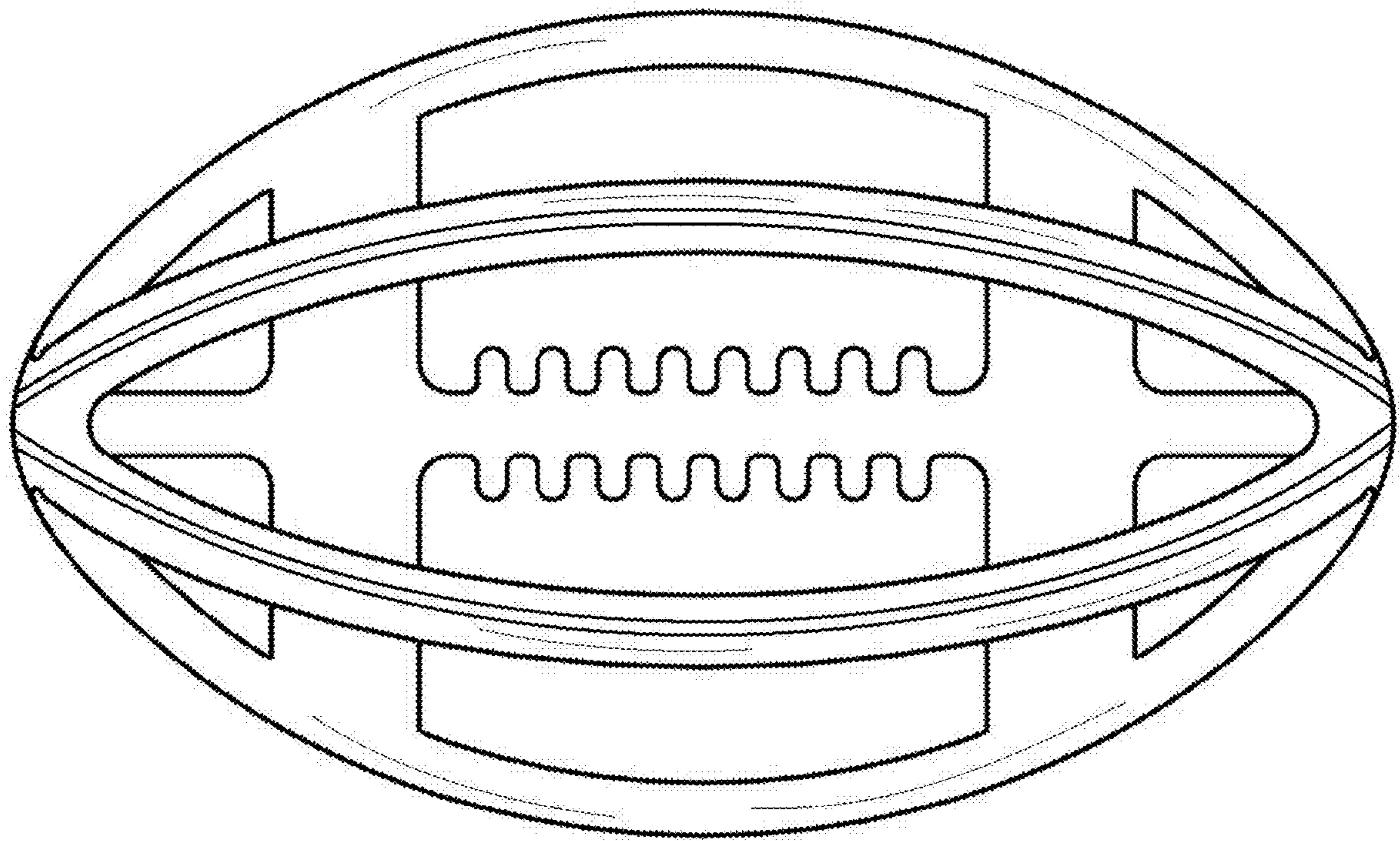


FIG. 7

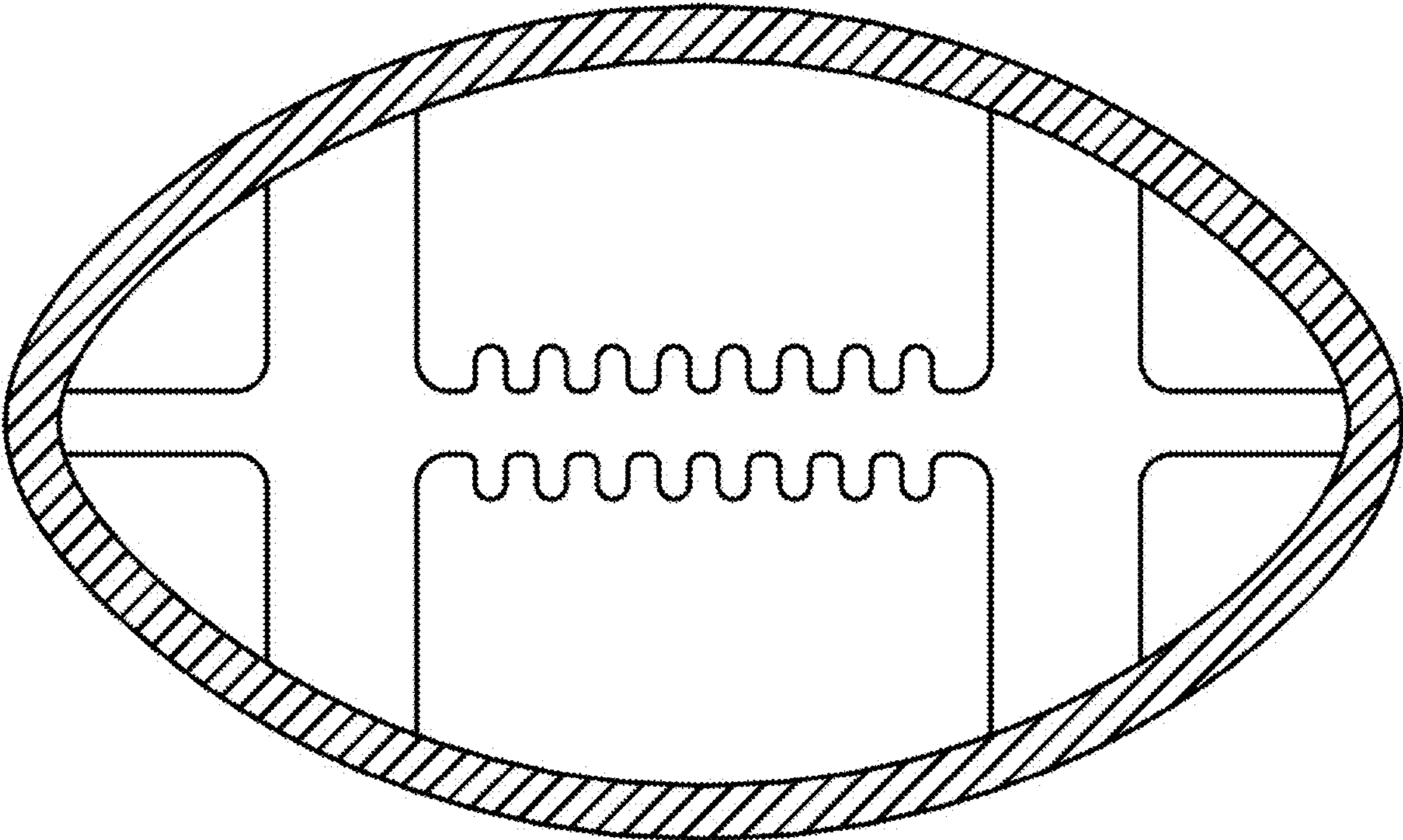


FIG. 8

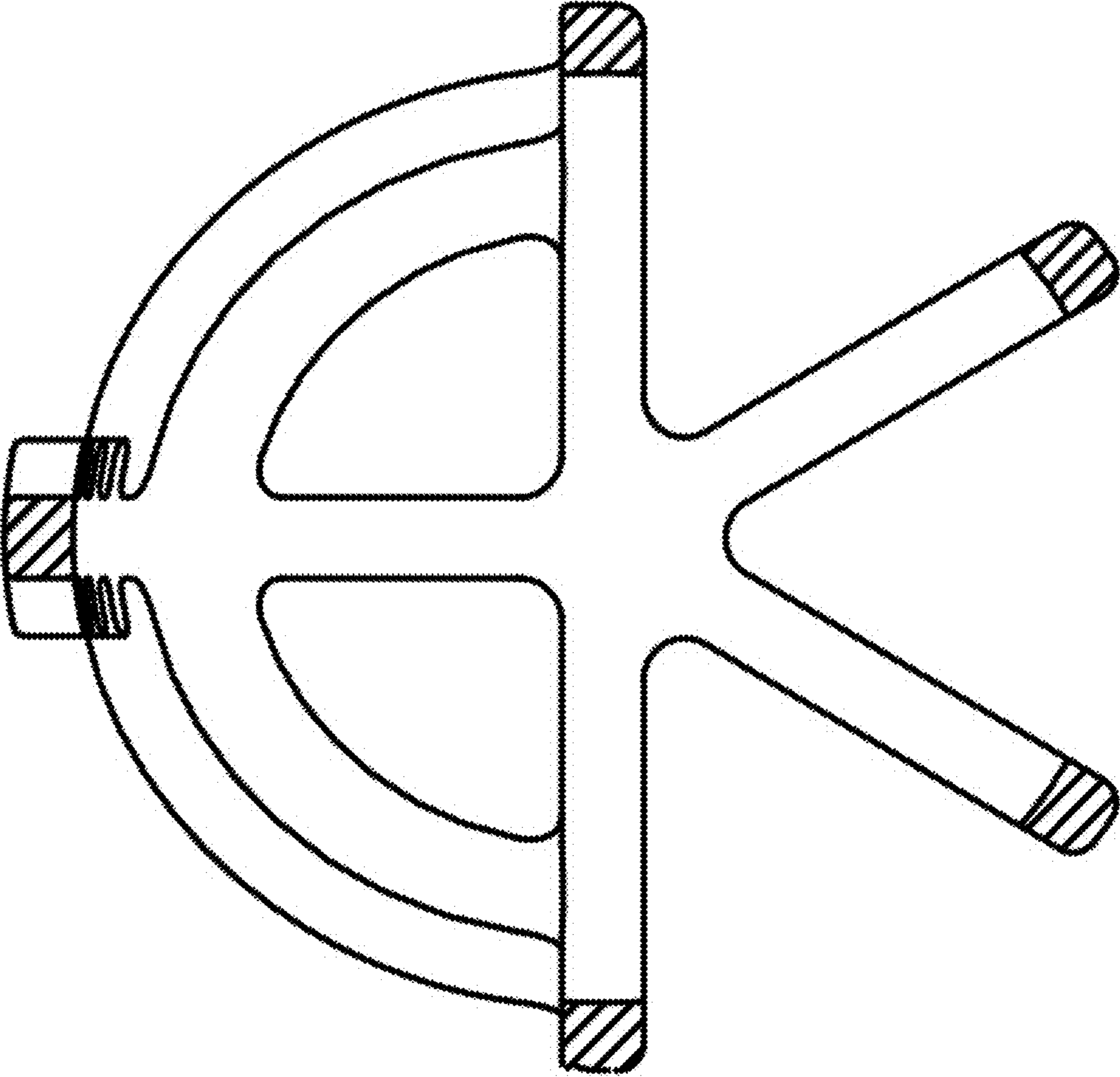


FIG. 9